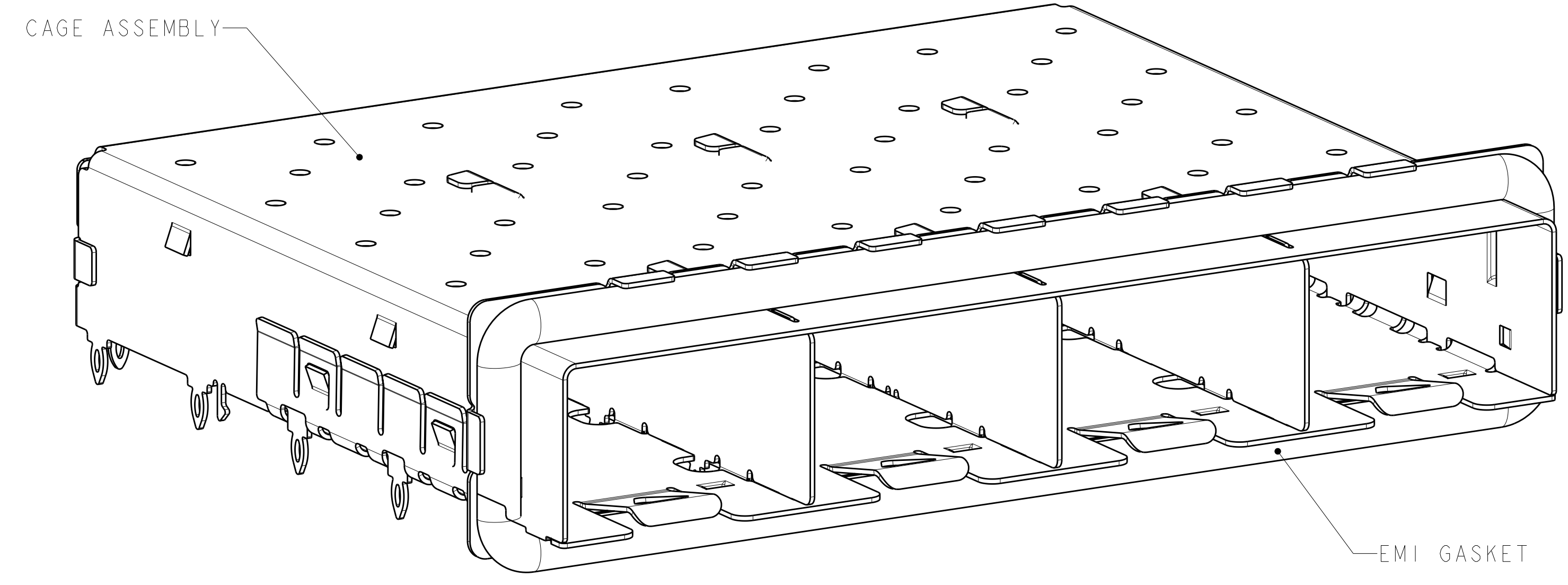
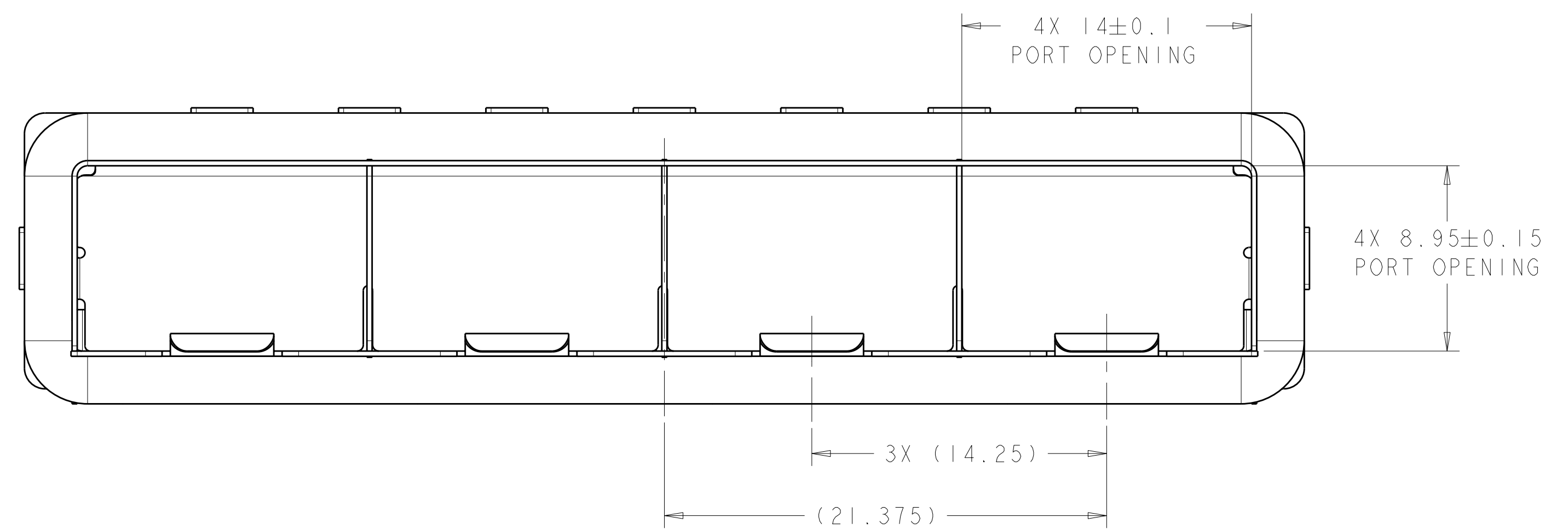
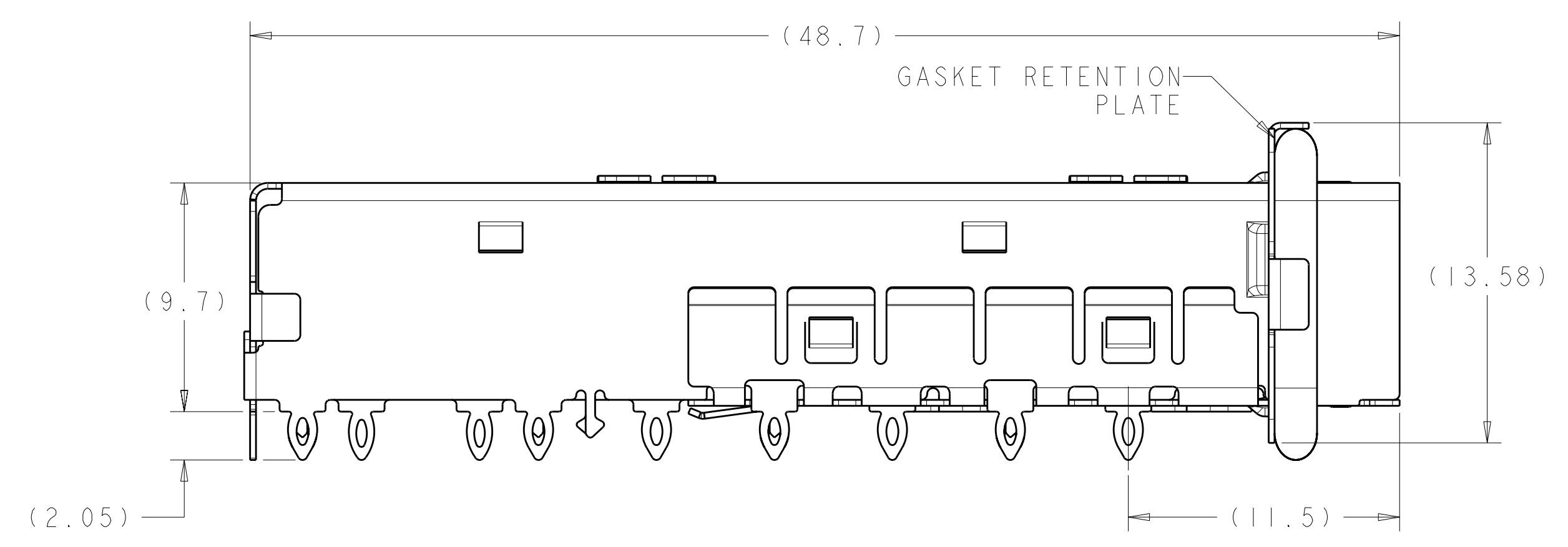


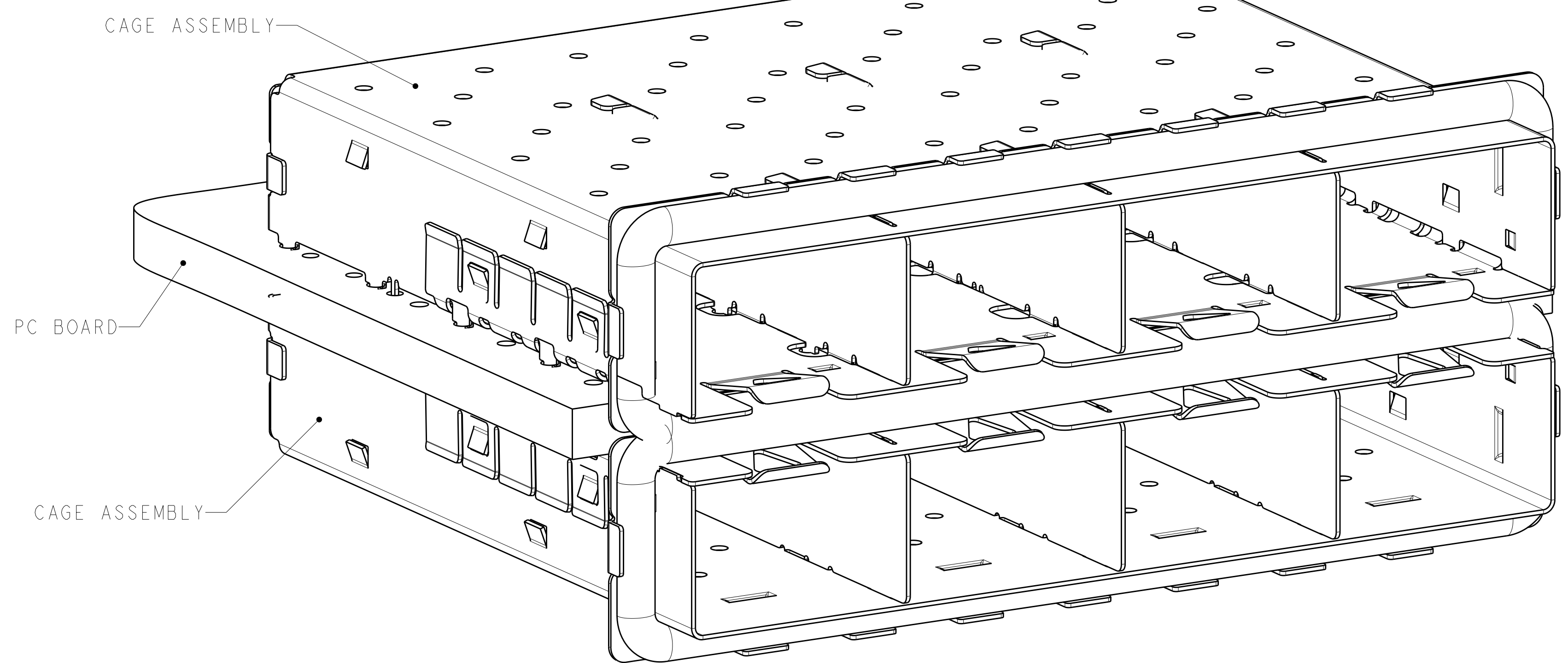
LOC	DIST	REVISIONS			
GP	00	REV	DATE	BY	APPD
		A	26APR2011	TX	CW



2057833-1
FINISHED ASSEMBLY



- 1 MATERIAL:
CAGE ASSEMBLY: NICKEL SILVER ALLOY
GASKET RETENTION PLATE: STAINLESS STEEL
GASKET: PLATED FILLED SILICONE
- 2 MINIMUM PC BOARD THICKNESS:
SINGLE SIDED = 1.50
DOUBLE SIDED = 3.00
- 3 PADS AND VIAS CHASSIS GROUND.
- 4 DATUM AND BASIC DIMENSION ESTABLISHED BY CUSTOMER.
- 5 MATES WITH SFP MSA COMPLIANT TRANSCEIVERS.
- 6 INTERPRETATION OF DATUM REFERENCE FRAME IN ACCORDANCE WITH SECT 4.4.1.1 OF ASME Y14.5M-1994.
- 7 REFERENCE APPLICATION SPEC. 114-13120, HOLE A, FOR RECOMMENDED DRILL HOLE DIAMETER AND PLATING THICKNESS.
- 8 REFERENCE APPLICATION SPEC. 114-13120, HOLE B, FOR RECOMMENDED DRILL HOLE DIAMETER AND PLATING THICKNESS.
- 9 HOLE PATTERN REPEATS FOR EACH PORT. SPACING BETWEEN PORTS IS 14.25mm.

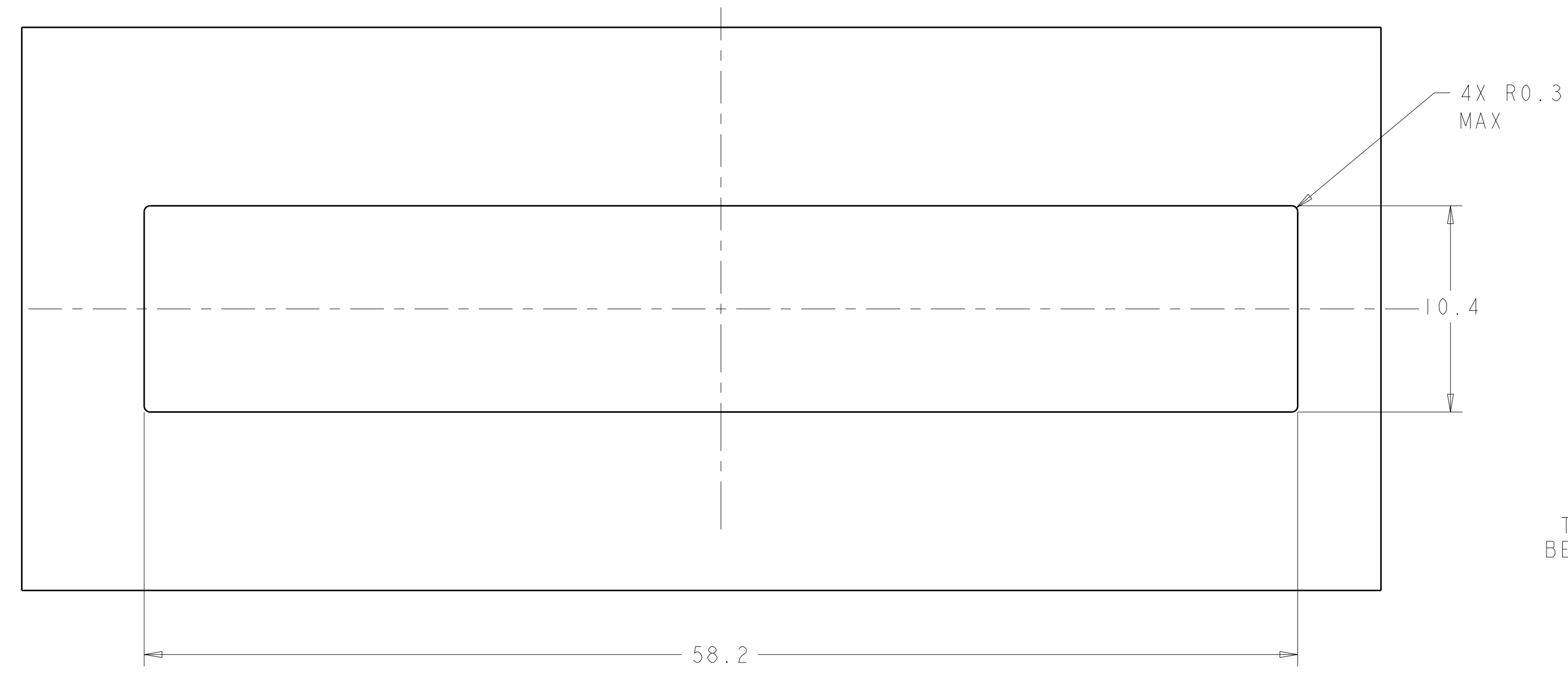


2057833-1
MOUNTED BELLY TO BELLY ON PCB
SCALE 5:1

2057833-1
PART NUMBER

THIS DRAWING IS A CONTROLLED DOCUMENT.		DWN J. POLIGNONE 21NOV08	TE Connectivity
DIMENSIONS: mm		CHK M. SCHMITT 21NOV08	
TOLERANCES UNLESS OTHERWISE SPECIFIED:		APVD M. SCHMITT 21NOV08	NAME 1x4 SFP+ ENHANCED, CAGE ASSEMBLY PRESS FIT, BELLY TO BELLY
0 PLC ±0.1	1 PLC ±0.1	PRODUCT SPEC 108-2364	SIZE CAGE CODE DRAWING NO A100779C=2057833
2 PLC ±0.1	3 PLC ±0.1	APPLICATION SPEC 114-13120	RESTRICTED TO
4 PLC ±0.1	ANGLES ±0.1	WEIGHT	SCALE 4:1 SHEET 1 OF 4 REV A
MATERIAL	FINISH	CUSTOMER DRAWING	

LOC	DIST	REV	DATE	BY	APPV
GP	00				
DESCRIPTION			DATE	DWN	APPV
SEE SHEET 1					

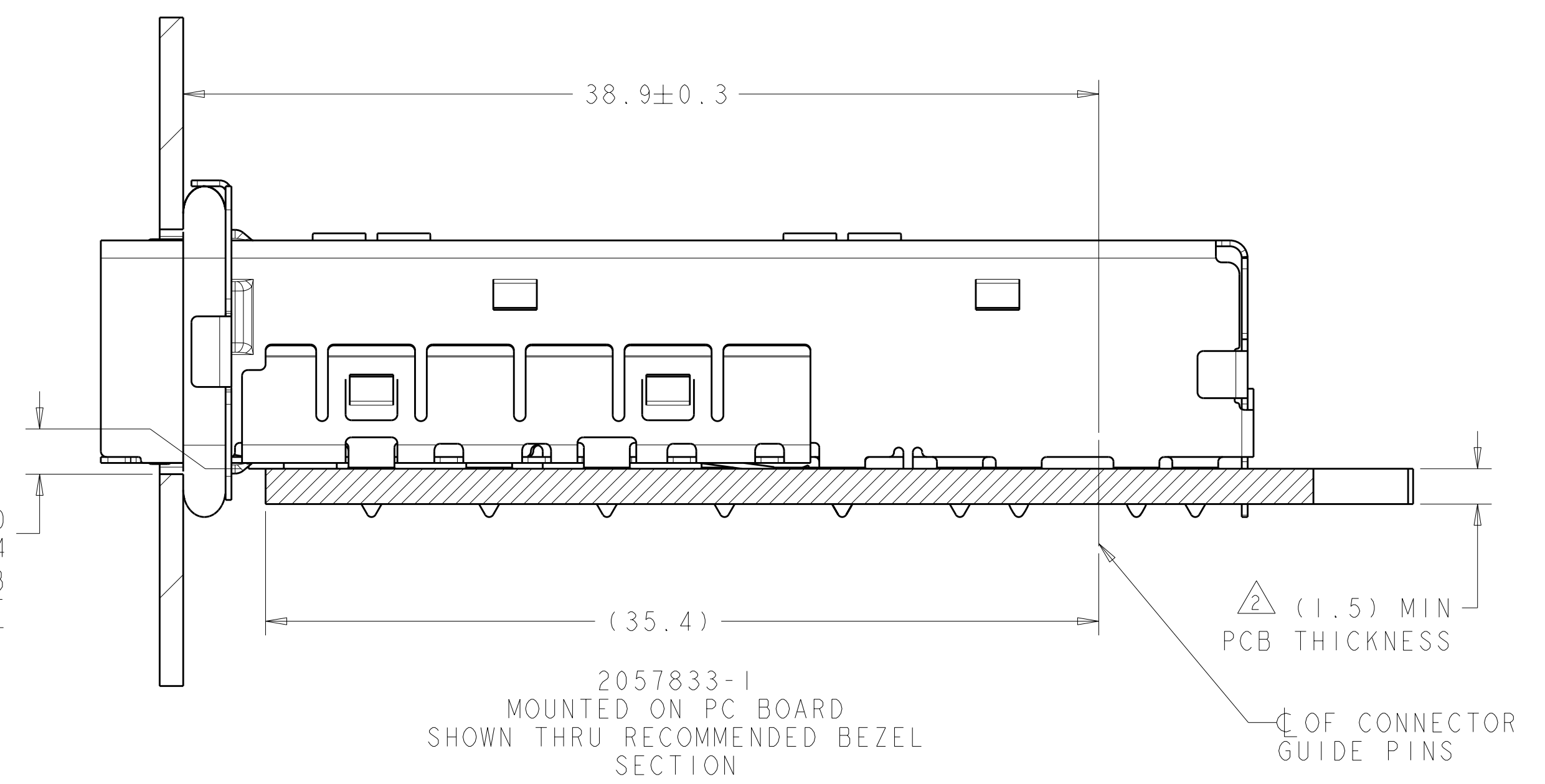


RECOMMENDED BEZEL CUT-OUT
 SINGLE SIDED APPLICATIONS
 SCALE 5:1

4X R0.3
 MAX

10.4

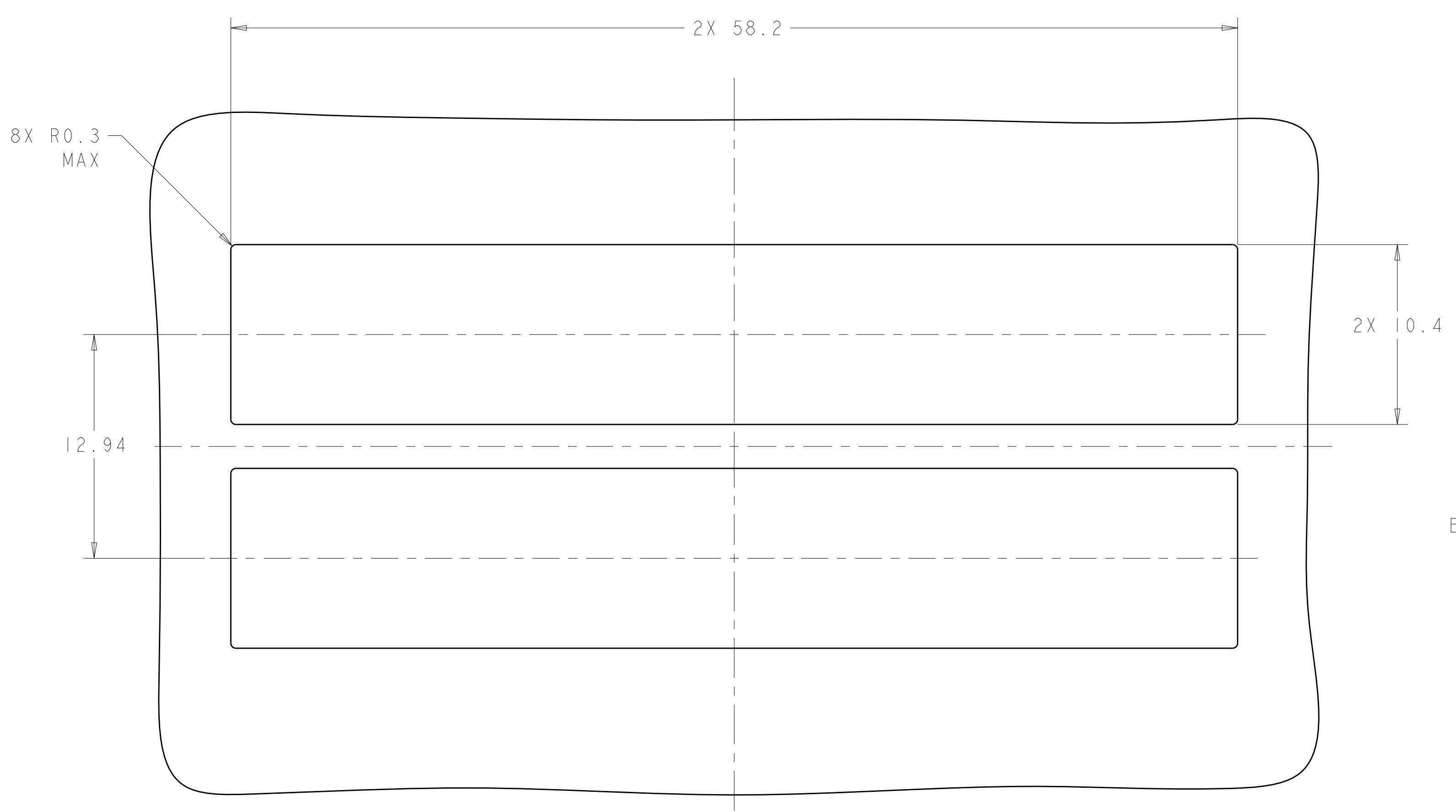
58.2



2057833-1
 MOUNTED ON PC BOARD
 SHOWN THRU RECOMMENDED BEZEL
 SECTION

(1.5) MIN
 PCB THICKNESS

0.23^{+0.10}
 -0.14
 TOP OF PCB
 TO INSIDE OF
 BEZEL CUT-OUT



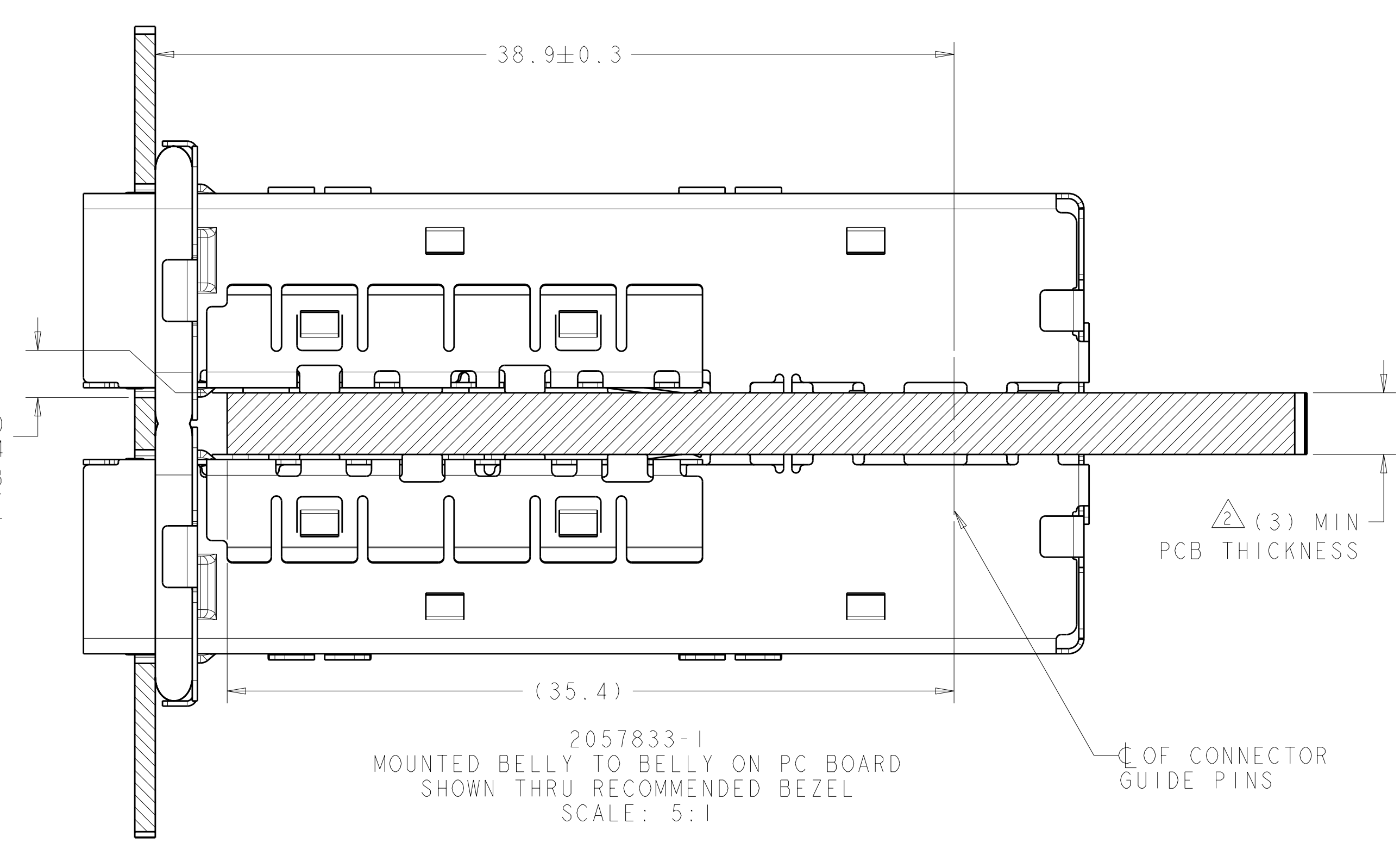
RECOMMENDED BEZEL CUT-OUT
 BELLY TO BELLY APPLICATIONS
 SCALE 5:1

8X R0.3
 MAX

2X 10.4

12.94

2X 58.2



2057833-1
 MOUNTED BELLY TO BELLY ON PC BOARD
 SHOWN THRU RECOMMENDED BEZEL
 SCALE: 5:1

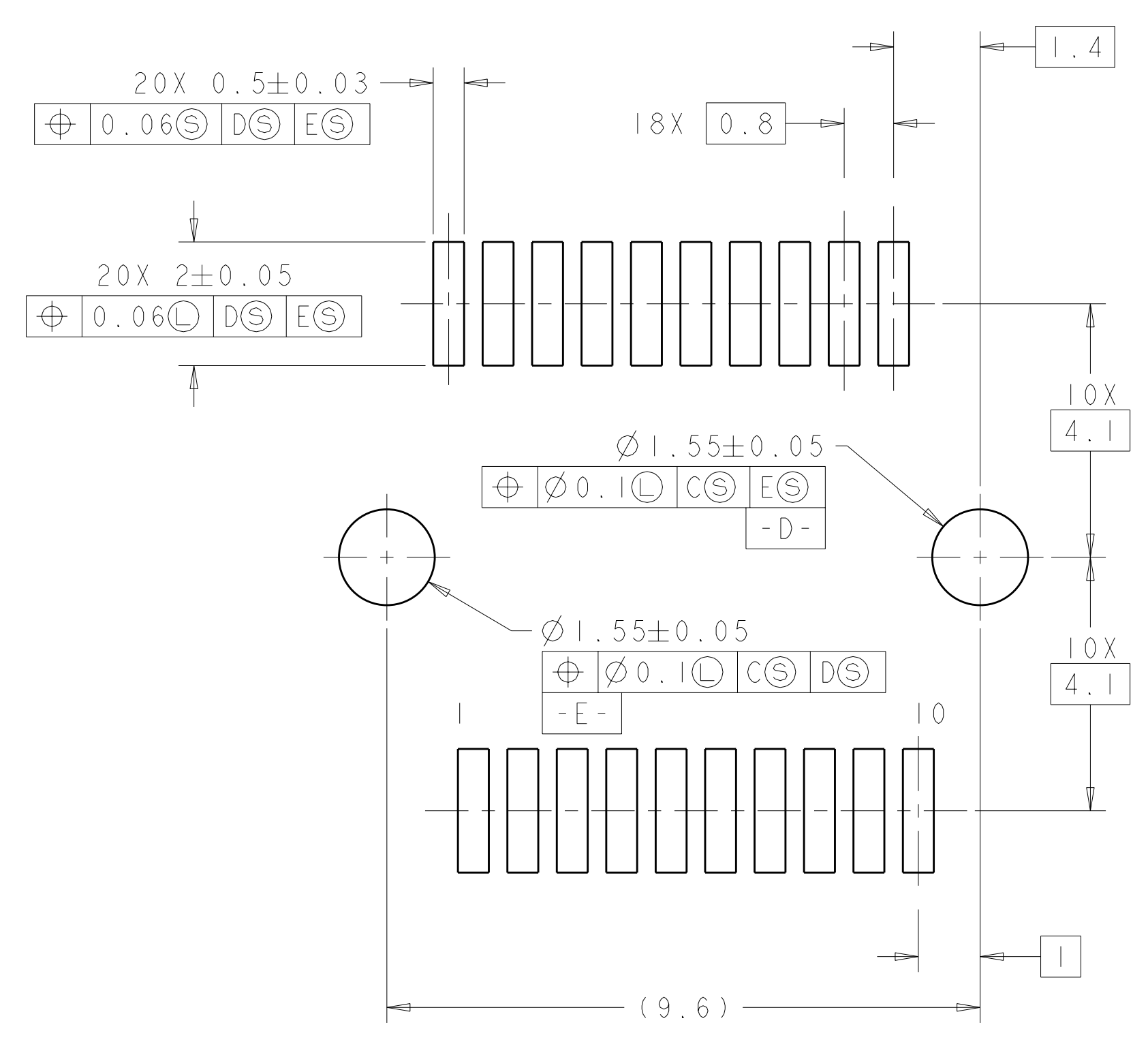
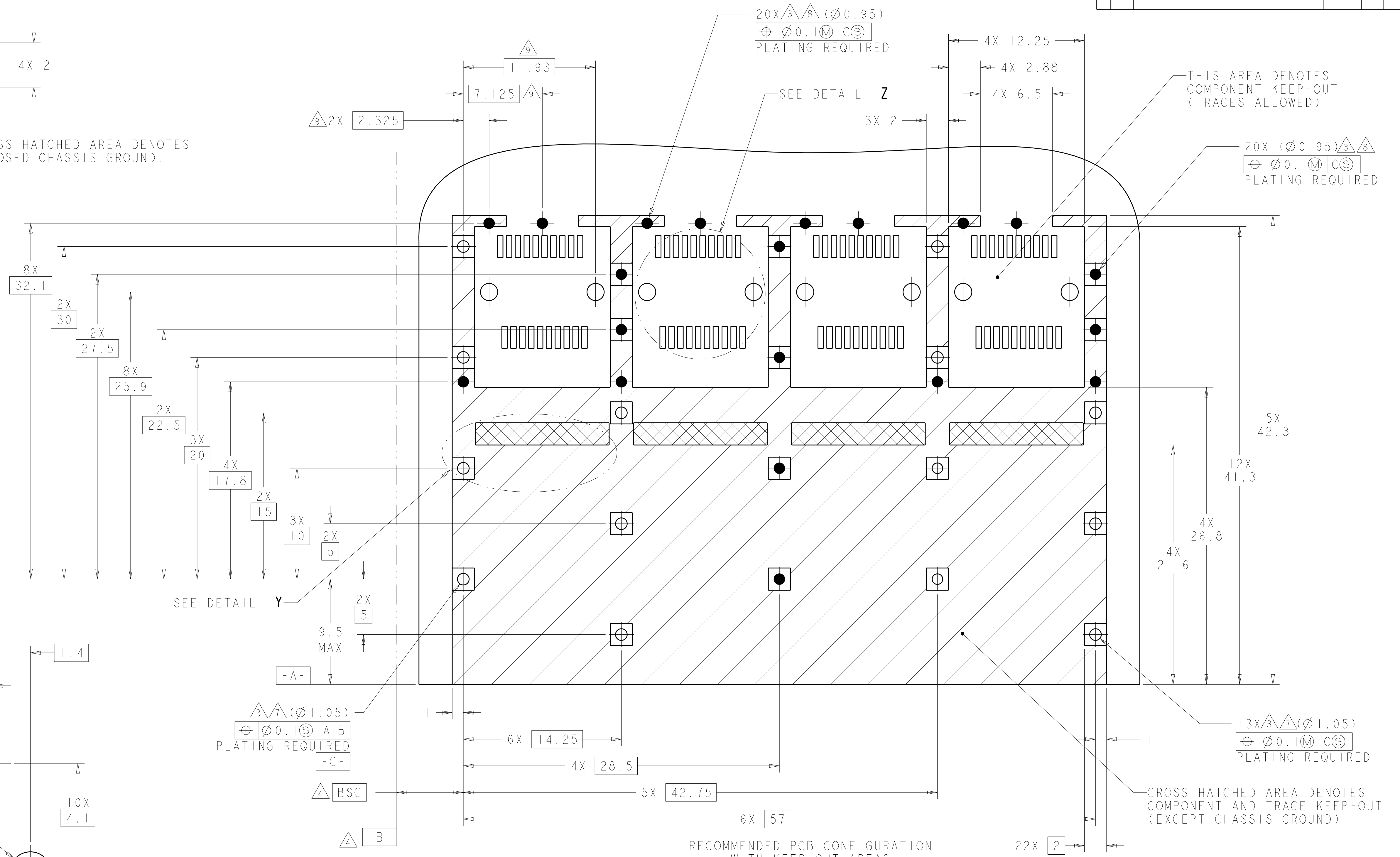
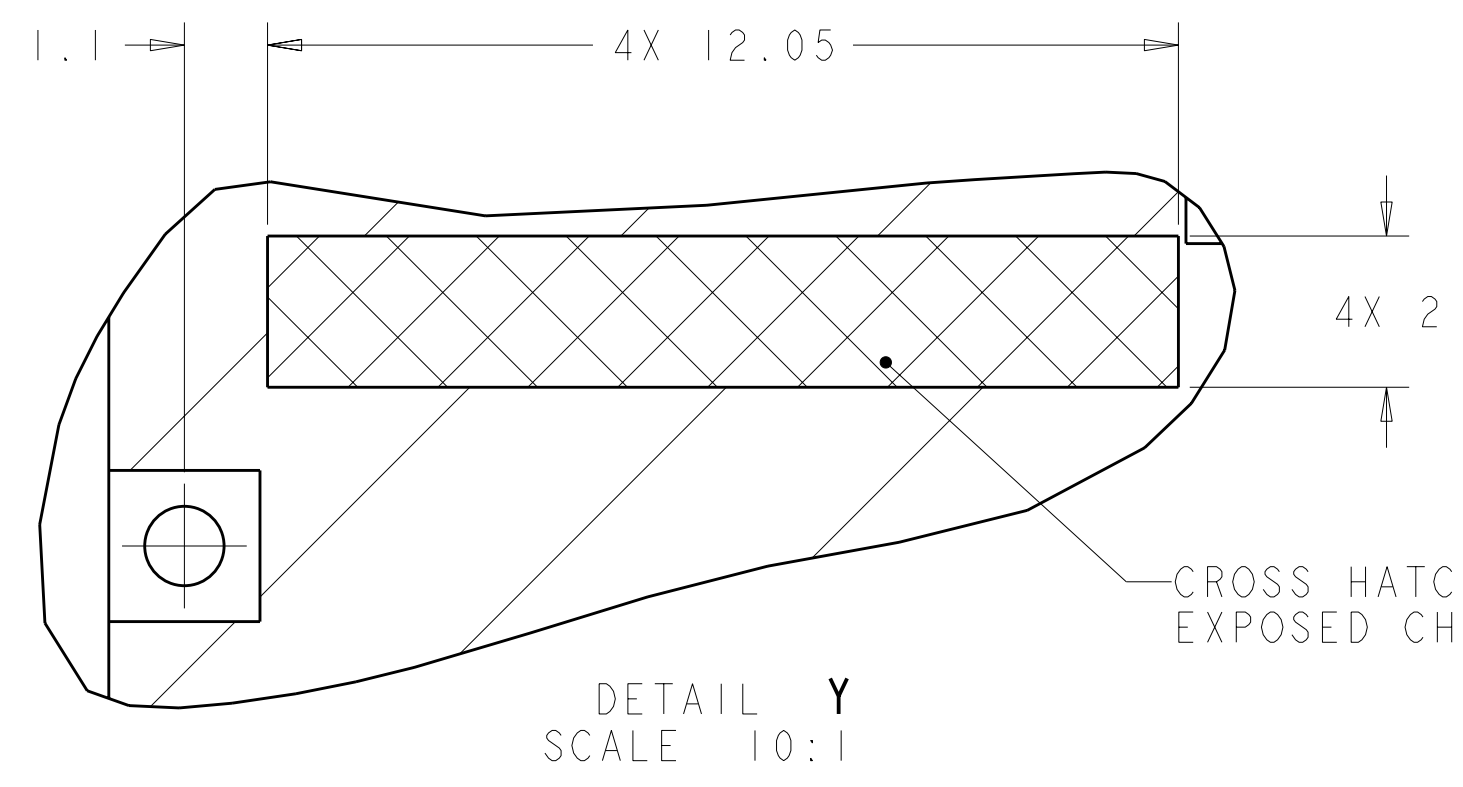
(3) MIN
 PCB THICKNESS

0.23^{+0.10}
 -0.14
 TOP OF PCB
 TO INSIDE OF
 BEZEL CUT-OUT

THIS PRINT IS
PRELIMINARY
 UNQUALIFIED PRODUCT
 CONTACT PRODUCT ENGINEERING
 BEFORE USING THIS PRINT

THIS DRAWING IS A CONTROLLED DOCUMENT.		DWN: J. POLIGNONE 21NOV08	TE Connectivity
DIMENSIONS: mm		CHK: M. SCHMITT 21NOV08	
TOLERANCES UNLESS OTHERWISE SPECIFIED:		APVD: M. SCHMITT 21NOV08	NAME: 1x4 SFP+ ENHANCED, CAGE ASSEMBLY PRESS FIT, BELLY TO BELLY
0 PLC ±0.1	1 PLC ±0.1	PRODUCT SPEC: 108-2364	SIZE: A100779
2 PLC ±0.1	3 PLC ±0.1	APPLICATION SPEC: 114-13120	DRAWING NO: C=2057833
4 PLC ±0.1	ANGLES ±0.1	WEIGHT: -	RESTRICTED TO: -
MATERIAL: -	FINISH: -	CUSTOMER DRAWING	SCALE: 4:1 SHEET 2 OF 4 REV A

LOC	DIST	REV	DATE	APPD	REVISIONS
GP	00				SEE SHEET 1



THIS DRAWING IS A CONTROLLED DOCUMENT.		DWN J. POLIGNONE	21NOV08		TE Connectivity
DIMENSIONS: mm		CHK M. SCHMITT	21NOV08		NAME 1x4 SFP+ ENHANCED, CAGE ASSEMBLY PRESS FIT, BELLY TO BELLY
TOLERANCES UNLESS OTHERWISE SPECIFIED:		APPD M. SCHMITT	21NOV08	PRODUCT SPEC 108-2364	RESTRICTED TO
9 PLC \pm 0.1		APPLICATION SPEC 114-13120		SIZE A100779	CAGE CODE C=2057833
1 PLC \pm 0.1		WEIGHT		SCALE 4:1	SHEET 3 OF 4
3 PLC \pm 0.1		FINISH		REV A	
4 PLC \pm 0.1		CUSTOMER DRAWING			
ANGLES \pm 0.1					

