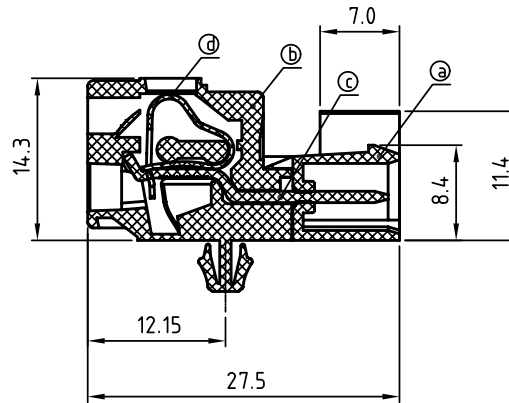
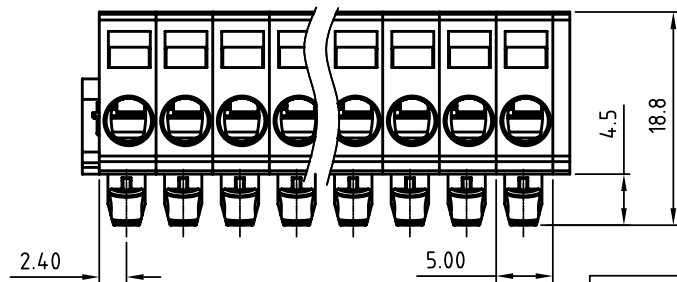
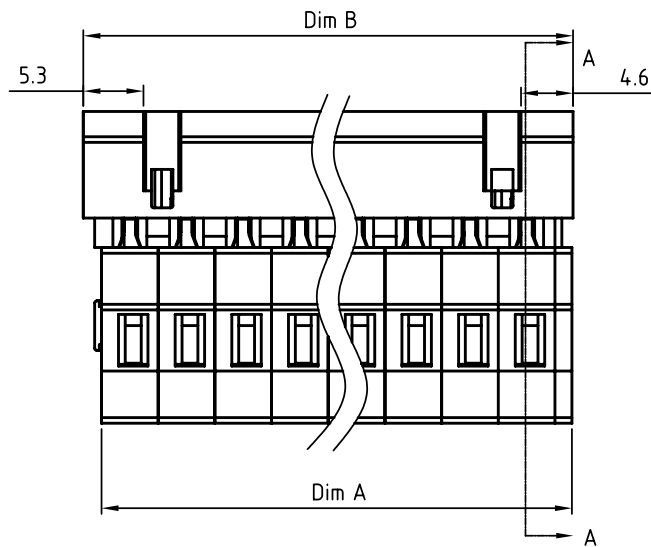
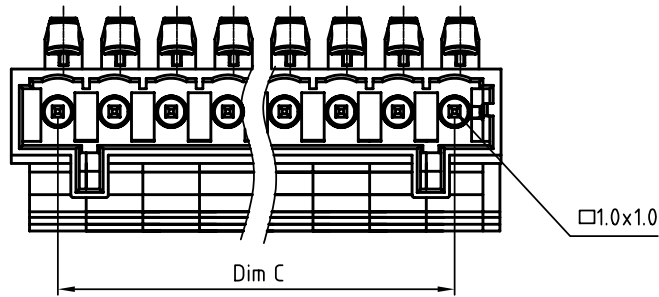


SIGN	DATE	DESCRIPTION	APPROVER
THIS IS CAD DRAWING, DO NOT REVISE MANUALLY!!!			



SECTION A-A

Material:

- Item a :Terminal body Thermoplastic (UL94 V-0)
- Item b :Terminal body Thermoplastic (UL94 V-0)
- Item c :Male contact pin: Brass Tin plated
- Item d :Spring clamp: Stainless steel

Electrical

- Voltage rating: 300V
- Current rating: 8A
- Wire range:
- Solid wire(AWG): 12-28
- Stranded wire(AWG): 12-28
- Wire strip length: 8-9mm
- Withstanding Voltage: 1.6KV
- Operating temperature: -40°C to +105°C
- Safety Approval: us

NB xx 7 0 x 5 xxxx G

- 02 2 poles
- 03 3 poles
-
- 24 24 poles
- 0 Black
- 5 Green (RAL6018/T)
- 6 Blue
- 8 Grey (RAL7035/D)
- RoHS Pb<40,000ppm
- 0000 Standard @ Logo
- 000A Standard ANY Logo
- Any special item by customer request, please contact sales department.

N = Number of poles
 Dim A=Nx5.0+1.5
 Dim B=Nx5.0+3.2
 Dim C=(N-1)x5.0

	Dim A	Dim B	Dim C
2-6p	±0.20	±0.20	±0.20
7-12p	±0.25	±0.25	±0.25
13-18p	±0.30	±0.30	±0.30
19-24p	±0.40	±0.40	±0.40

ANYTEK

CUSTOMER COPY

ALL RIGHTS RESERVED. REPRODUCTION OR ISSUE TO THIRD PARTIES IN ANY FORM WHATSOEVER IS NOT PERMITTED WITHOUT WRITTEN AUTHORITY FROM THE PROPRIETOR. PROPERTY OF ANYTEK TECHNOLOGY CO., LTD

TITLE		NB 5.0mm series With hook holder with snap-in mounting feet				
PART NO.	NBxx70x5xxxxG			DWG NO.	8NB0008	
APPROVED	CHECKED	DESIGNED	DRAWN	CUST NO.	Tolerance	
		runner	runner		UNIT: mm	X. ±0.50
		2007.12.04	2007.12.04		SCALE: 2/1	X.X ±0.30
					SHEET: 01/01	X.XX ±0.10
					REV.: B	X° ±1°