

**Ratings**

Voltage: 300 V  
 Temperature: -25 to 80 °C  
 Flammability: VW-1

**Conductor**

Conductor count: 7  
 Gauge: 28 AWG 0.08 mm<sup>2</sup>  
 Material: tinned copper strands  
 Strand size: Ø 0.12 mm x 7

**Insulator**

Material: PVC  
 Color: orange, green, blue, yellow, white, black, red  
 Diameter: Ø 0.95 ± 0.10 mm  
 Nominal thickness: 0.38 mm

**Drain**

Stranding: Ø 0.12 mm x 7, 28 AWG

**Shield**

Type: foil + braided  
 Material: aluminum mylar, tinned copper strands  
 Stranding: Ø 0.127 mm  
 Coverage: 80% minimum

**Outer jacket**

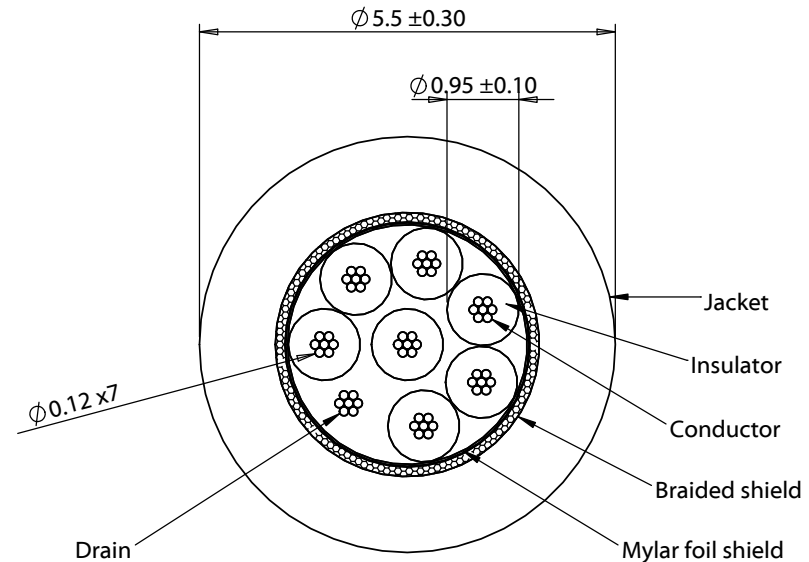
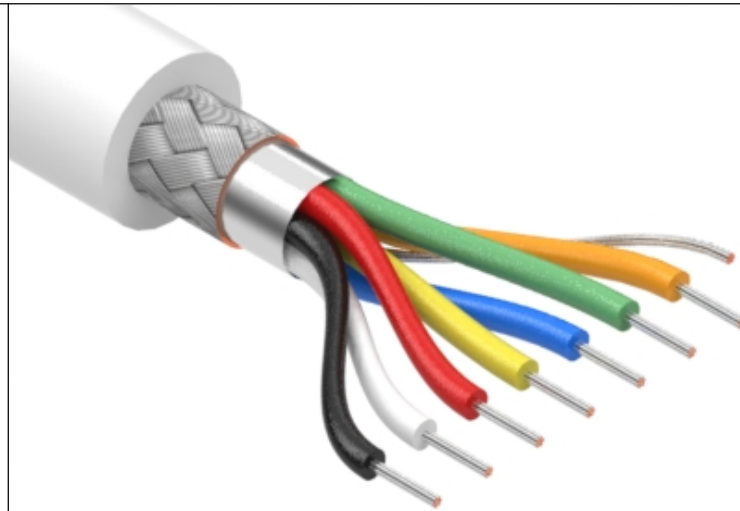
Material: PVC, 80A  
 Color: white  
 Diameter: Ø 5.5 ± 0.30 mm  
 Nominal thickness: 0.8 mm

**Wire marking:** E339579 UL AWM STYLE 2464 28 AWG 80°C  
 300V VW-1 --- cUL AWM I/II A 80°C 300V FT1 TENSILITY

**Tests**

Voltage test: 300 V  
 Spark test: 3.0 kV  
 Max resistance at 20 °C: 250 ohm/km  
 Insulation tensile strength: 2.11 kgf/mm<sup>2</sup>  
 Jacket tensile strength: 1.05 kgf/mm<sup>2</sup>  
 After aging at 113 ± 2 °C for 7 days:  
 Minimum tensile strength 70 % original  
 Minimum elongation 65 % original  
 Heat shock: 121 ± 1 °C / 1 hour, no observed degradation  
 Deformation: 121 ± 1 °C / 1 hour, ≤ 50 %  
 Cold bend: -10 ± 2 °C / 1 hour, no observed cracking  
 Dielectric test: 2000 Vac for 1 minute without breakdown

**Use:** Internal wiring or external interconnection of electronic equipment.



Revision:	Date:	Description:	Prepared: RS <small>Digitally signed by RS Date: 2018.04.11 16:58:34 -07'00'</small>	Notes:	<b>TENSILITY</b> tel 1.541.323.3228 800 877.670.7118 fax 1.541.323.4202 web tensility.com
A	04/09/2018	Initial release	Verified: AW <small>Digitally signed by AW Date: 2018.04.17 12:31:12 -07'00'</small>	RoHS and REACH compliant  Function test: no open, no short circuit, no intermittent	
			Dimensions are in millimeters. Tolerances: X: ± 0.5 mm X.X: ± 0.3 mm X.XX: ± 0.05 mm	Description: Wire, 7C TS, 28 AWG, UL2464, 300V, 80C, 5.5 mm, shielded, VW-1, PVC, white	Size: A Part number: 30-01072
					Scale: 10:1 Sheet 1 of 1

5

4

3

2

1