

| WITHOUT CPA | WITH CPA | CIRCUIT SIZE | POLARIZATION | CONNECTOR HOUSING COLOR | TESTED WITH THE FEMALE TERMINAL | CAVITY WITH A NUMBER INDICATES BLOCKED TERMINAL POSITION CAVITY WITHOUT A NUMBER INDICATES OPEN TERMINAL POSITION | | | | | | | | TOTAL CIRCUITS PLUGGED | STATUS | WIRE DRESS COVER(OPTIONAL) | | |
|-------------|------------|--------------|--------------|-------------------------|--|--|---|---|---|---|---|---|---|------------------------|--------|----------------------------|----------|--|
| | | | | | | 1 | 2 | 3 | 4 | 5 | 6 | 7 | 8 | | | HORIZONTAL | VERTICAL | |
| 31404-9100 | 31404-9110 | 1X8 | A | BLACK | TE GEN Y 0.64MM TERMINAL /YAZAKI FLX 0.64MM.TERMINAL | | | | | | | | 0 | SALABLE | | | | |
| 31404-9101 | 31404-9111 | | A | BLACK | | | | | | | | | | | 1 | SALABLE | | |
| 31404-9102 | 31404-9112 | | A | BLACK | | | | | 3 | | | | | | 2 | SALABLE | | |
| 31404-9103 | 31404-9113 | | A | BLACK | | | | | 3 | 4 | | | | | 3 | SALABLE | | |
| 31404-9104 | 31404-9114 | | A | BLACK | | | | | | | | | | | 4 | SALABLE | | |
| 31404-9105 | 31404-9115 | | A | BLACK | | | | | | | | | | | 5 | SALABLE | | |
| 31404-9106 | 31404-9116 | | A | BLACK | | | | | | | | | | | 6 | SALABLE | | |
| 31404-9107 | 31404-9117 | | A | BLACK | | | | | | | | | | | 7 | SALABLE | | |
| 31404-9108 | 31404-9118 | | A | BLACK | | | | | | | | | | | 8 | SALABLE | | |
| 31404-9109 | 31404-9119 | | A | BLACK | | | | | | | | | | | 3 | SALABLE | | |
| 31404-9121 | 31404-9131 | | A | BLACK | | | | | | | | | | | 1 | SALABLE | | |
| 31404-9122 | 31404-9132 | | A | BLACK | | | | | | | | | | | 2 | SALABLE | | |
| 31404-9123 | 31404-9133 | | A | BLACK | | | | | | | | | | | 3 | SALABLE | | |
| 31404-9124 | 31404-9134 | | A | BLACK | | | | | | | | | | | 4 | SALABLE | | |
| 31404-9125 | 31404-9135 | | A | BLACK | | | | | | | | | | | 4 | SALABLE | | |
| 31404-9126 | 31404-9136 | | A | BLACK | | | | | | | | | | | 6 | SALABLE | | |
| 31404-9127 | 31404-9137 | | A | BLACK | | | | | | | | | | | 3 | SALABLE | | |
| 31404-9128 | 31404-9138 | | A | BLACK | | | | | | | | | | | 3 | SALABLE | | |
| 31404-9129 | 31404-9139 | | A | BLACK | | | | | | | | | | | 2 | SALABLE | | |
| 31404-9141 | 31404-9151 | | A | BLACK | | | | | | | | | | | 1 | SALABLE | | |
| 31404-9142 | 31404-9152 | | A | BLACK | | | | | | | | | | | 2 | SALABLE | | |
| 31404-9143 | 31404-9153 | | A | BLACK | | | | | | | | | | | 3 | SALABLE | | |
| 31404-9144 | 31404-9154 | | A | BLACK | | | | | | | | | | | 3 | SALABLE | | |
| 31404-9161 | 31404-9171 | | A | BLACK | | | | | | | | | | | 1 | SALABLE | | |
| 31404-9162 | 31404-9172 | | A | BLACK | | | | | | | | | | | 2 | SALABLE | | |
| 31404-9163 | 31404-9173 | | A | BLACK | | | | | | | | | | | 3 | SALABLE | | |
| 31404-9182 | 31404-9192 | | A | BLACK | | | | | | | | | | | 2 | SALABLE | | |
| 31404-9183 | 31404-9193 | | A | BLACK | | | | | | | | | | | 3 | SALABLE | | |
| 31404-9501 | 31404-9511 | | A | LT.GRAY | | | | | | | | | | | 1 | SALABLE | | |
| 31404-9502 | 31404-9512 | | A | BLACK | | | | | | | | | | | 2 | SALABLE | | |
| 31404-9503 | 31404-9513 | | A | BLACK | | | | | | | | | | | 3 | SALABLE | | |
| 31404-9522 | 31404-9532 | | A | BLACK | | | | | | | | | | | 2 | SALABLE | | |
| 31404-9523 | 31404-9533 | | A | BLACK | | | | | | | | | | | 3 | SALABLE | | |
| 31404-9542 | 31404-9552 | | A | BLACK | | | | | | | | | | | 2 | SALABLE | | |
| 31404-9543 | 31404-9553 | | A | BLACK | | | | | | | | | | | 3 | SALABLE | | |
| 31404-9562 | 31404-9572 | | A | BLACK | | | | | | | | | | | 2 | SALABLE | | |
| 31404-9563 | 31404-9573 | | A | BLACK | | | | | | | | | | | 3 | SALABLE | | |
| 31404-9583 | 31404-9593 | | A | BLACK | | | | | | | | | | | 3 | SALABLE | | |
| 31404-9584 | 31404-9594 | | A | BLACK | | | | | | | | | | | 4 | SALABLE | | |
| 31404-9200 | 31404-9210 | | B | LT.GRAY | | | | | | | | | | | 0 | SALABLE | | |
| 31404-9203 | 31404-9213 | | B | LT.GRAY | | | | | | | | | | | 3 | SALABLE | | |
| 31404-9204 | 31404-9214 | | B | LT.GRAY | | | | | | | | | | | 4 | SALABLE | | |
| 31404-9300 | 31404-9310 | | C | DK.GRAY | | | | | | | | | | | 0 | SALABLE | | |
| 31404-9400 | 31404-9410 | | D | TBD | | | | | | | | | | | 0 | NOT TOOL | | |
| 31404-9001 | 31404-9006 | | B | BLACK | | | | | | | | | | | 0 | SALABLE | | |
| 31404-9002 | 31404-9007 | | C | BLACK | | | | | | | | | | | 0 | SALABLE | | |
| 31404-9003 | 31404-9008 | C | LT.GRAY | | | | | | | | | | 0 | SALABLE | | | | |
| 31404-9004 | 31404-9009 | A | DK.GRAY | | | | | | | | | | 0 | SALABLE | | | | |
| 31404-9005 | 31404-9010 | B | DK.GRAY | | | | | | | | | | 0 | SALABLE | | | | |
| 31404-9184 | 31404-9194 | A | BLACK | | | | | | | | | | 2 | SALABLE | | | | |

| TABLE OF CONTENTS | |
|-------------------|---------------------------|
| SHEET NO. | SHEET DESCRIPTION |
| 1 | NOTE |
| 2 | BOM |
| 3 | KEY CONFIGURATION |
| 4 | WIRE DRESS COVER ASSEMBLY |

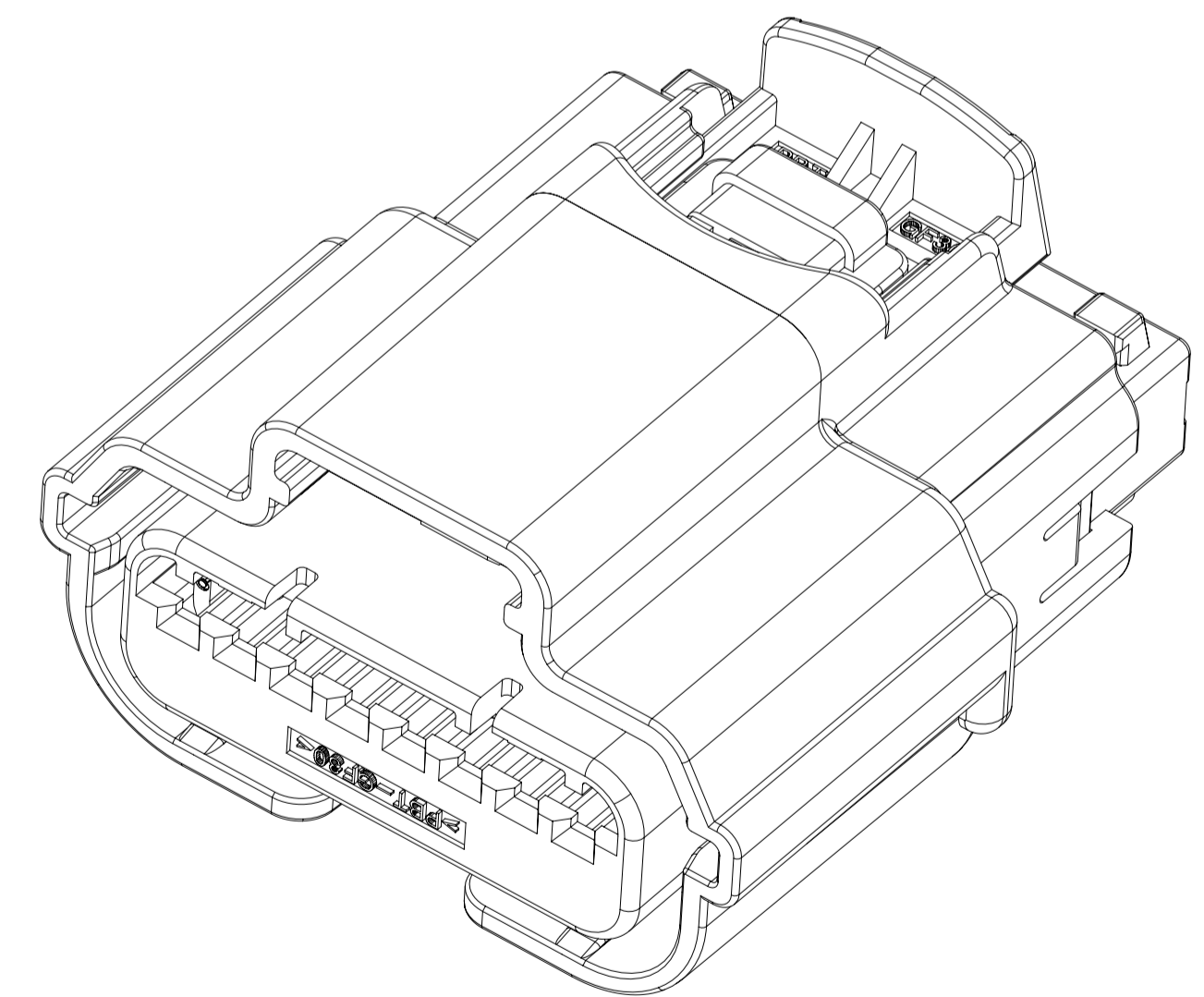
NOTES: VALID UNLESS OTHERWISE SPECIFIED

- GENERAL:
 - APPLICATION SPECIFICATION SEE: AS-31402-000
 - DESIGNED TO MATE WITH DEVICE CONNECTION AS SPECIFIED IN USCAR INTERFACE DRAWING FOR SINGLE ROW SEALED 0.64 SYSTEMS. 064-S-008-1-202.
 - ASSEMBLY SHIPPED WITH TPA IN PRE-SET POSITION (SEE SECTION Z-Z) UPON FULL TERMINAL ASSEMBLY, TPA MUST BE SNAPPED INTO ITS FINAL LOCK POSITION AFTER TERMINALS ARE ASSEMBLED (SEE SECTION Y-Y)
 - TPA'S MAY BECOME SEATED DURING TRANSIT. IF THIS OCCURS, TPA'S SHOULD BE MOVED TO THE PRE-LOCKED POSITION PRIOR TO FEMALE TERMINAL INSTALLATION. REFERENCE PRODUCT SPECIFICATION: PS-34646-001.
 - SYSTEM TO BE USED WITH WIRE WITHIN RANGE OF:
 - >SAE 22 AWG TO 18 AWG
 - >ISO 0.35MM² TO 0.75MM² PER GMW156256
 - >CABLE OUTSIDE DIAMETER: FROM 1.2MM TO 1.9 MM
 - PRODUCT SPECIFICATION SEE: PS-31404-001
 - PACKAGING SPECIFICATION PER MOLEX DRAWING: PK-31300-256
 - PARTS MUST BE IN COMPLIANCE TO MOLEX CHEMICAL SUBSTANCES FOR PRODUCTS AND PACKAGING SPECIFICATION: ES-40000-5016
 - DATA MUST BE SUBMITTED UNDER THE MOLEX PART NUMBER TO IMDS (COMPANY ID#13255)
- DESIGN - MATERIALS:
 - SEE BOM TABLE IN PAGE 2
- DESIGN - GEOMETRY:
 - THIS IS A 100% CAD GENERATED PART. THE CAD MATHEMATICAL DATA IS THE MASTER FOR THIS PART. FOR DIMENSIONAL OR ANY INFORMATION
 - DATE CODE: FIRST TWO DIGITS ARE THE CALENDAR YEAR (EXAMPLE: 13 = 2013), THIRD THROUGH 5TH DIGIT DAY # OF THE CALENDAR YEAR (EXAMPLE: FEB. 3RD = '034).
 - VISUAL DEFECTS SHALL MEET COSMETIC STANDARD PS-45499-002 (Class B)

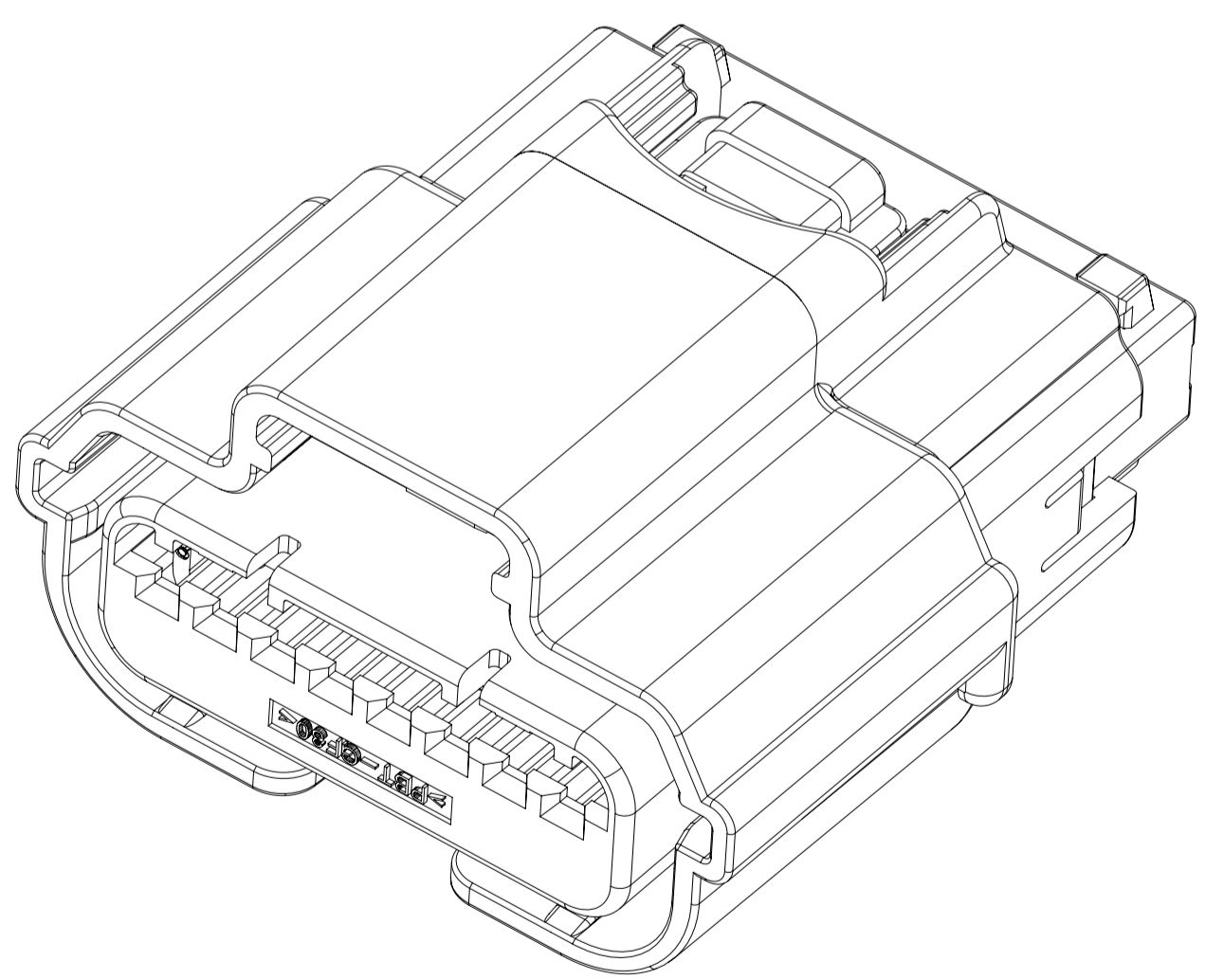
PART NUMBER LEGEND
CONNECTOR ASSEMBLY
31404-9XXX

- 0 - ALL CIRCUITS OPEN
 - 1-9 - SEE CHART
- CPA OPTION
0, 2, 4, 6 OR 8 WITHOUT CPA
1, 3, 5, 7 OR 9 WITH CPA
- POLARIZATION OPTION
1 OR 5- POLARIZATION A
2 OR 6- POLARIZATION B
3 OR 7- POLARIZATION C
4 OR 8- POLARIZATION D

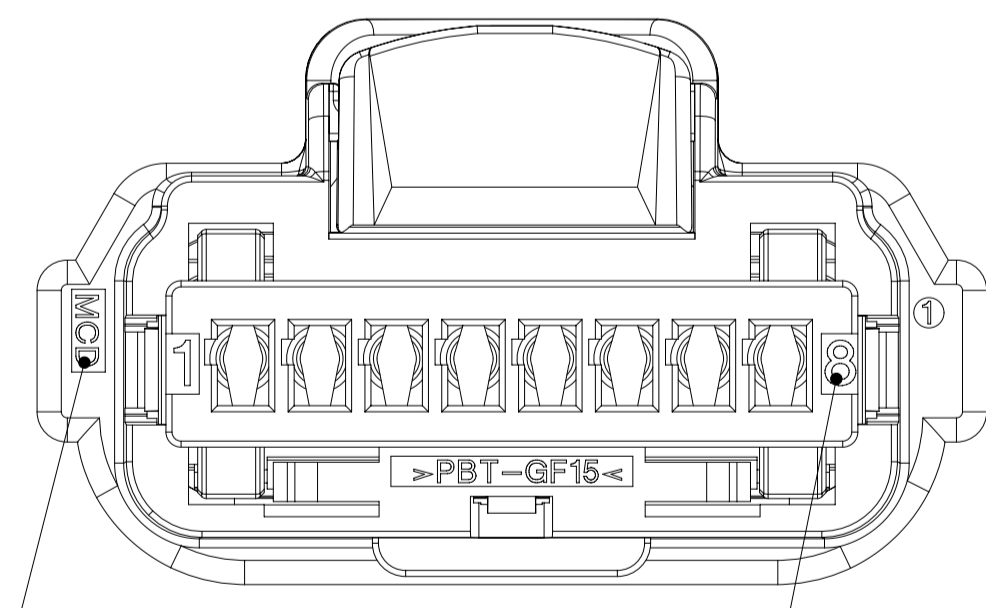
| | |
|-----|---|
| G10 | ADD P/N: 31404-9184/9194 |
| G9 | UPDATE CONFIGURATION FOR P/N 31404-9144/9154 |
| G8 | ADD P/N: 31404-9001 TO 9010, 31404-9144/9154 |
| G7 | ADD P/N: 31404-9128/9138, 31404-9129/9139 |
| G6 | ADD P/N: 31404-9127/9137 |
| G5 | ADD P/N: 31404-9125/9135 |
| G4 | ADD P/N: 31404-9109/9119 |
| G3 | ADD P/N: 31404-9203/9213, DELETE OBSOLETE P/Ns (31404-8XXX) |
| G2 | UPDATE COLOR DESCRIPTION |
| G1 | ADD P/N: 31404-9107/9117, 31404-9108/9118 |
| G | OBSOLETE P/N 31404-8XXX ADD NEW P/N 31404-9501/31404-9511 |
| F | ADD P/N 31404-9583/9593, 31404-9584/9594 AND 31404-9204/9214 CHANGE STATUS FROM "TOOED" TO "SALABLE" |
| E6 | CHANGE P/N 31401-9101 TO 31404-9101 |
| E3 | ADD P/N: 31404-8563/8573 AND 31404-9563/9573 |
| E2 | ADD P/N: 31404-8126/8136 AND 31404-9126/9136 |
| E1 | ADD P/N: 31404-8106/8116 AND 31404-9106/9116 |
| E | ADD P/N:31404-9XXX BASED ON THE PRODUCT UPGRADE |
| D3 | ADD P/N: 31404-8562, 31404-8572, |
| D2 | ADD P/N: 31404-8161 AND 31404-8171 31404-8542 AND 31404-8552 AND MANUFACTURING LOCATION ID |
| D1 | ADD P/N: 31404-8522 AND 31404-8532 |
| D | ADD P/N: 31404-8502 AND 31404-8512 |
| C2 | UPDATE NOTE 1_a ADD TE TERMINAL IN THE LIST |
| C1 | UPDATE TERMINAL AND WIRE INFORMATION |
| C | ADD WIRE DRESS COVER P/N. |
| B | ADD P/N |
| A | INITIAL RELEASE SAP # 10647976 |
| REV | REV DESCRIPTION |



WITH CPA



WITHOUT CPA



MANUFACTURING LOCATION ID

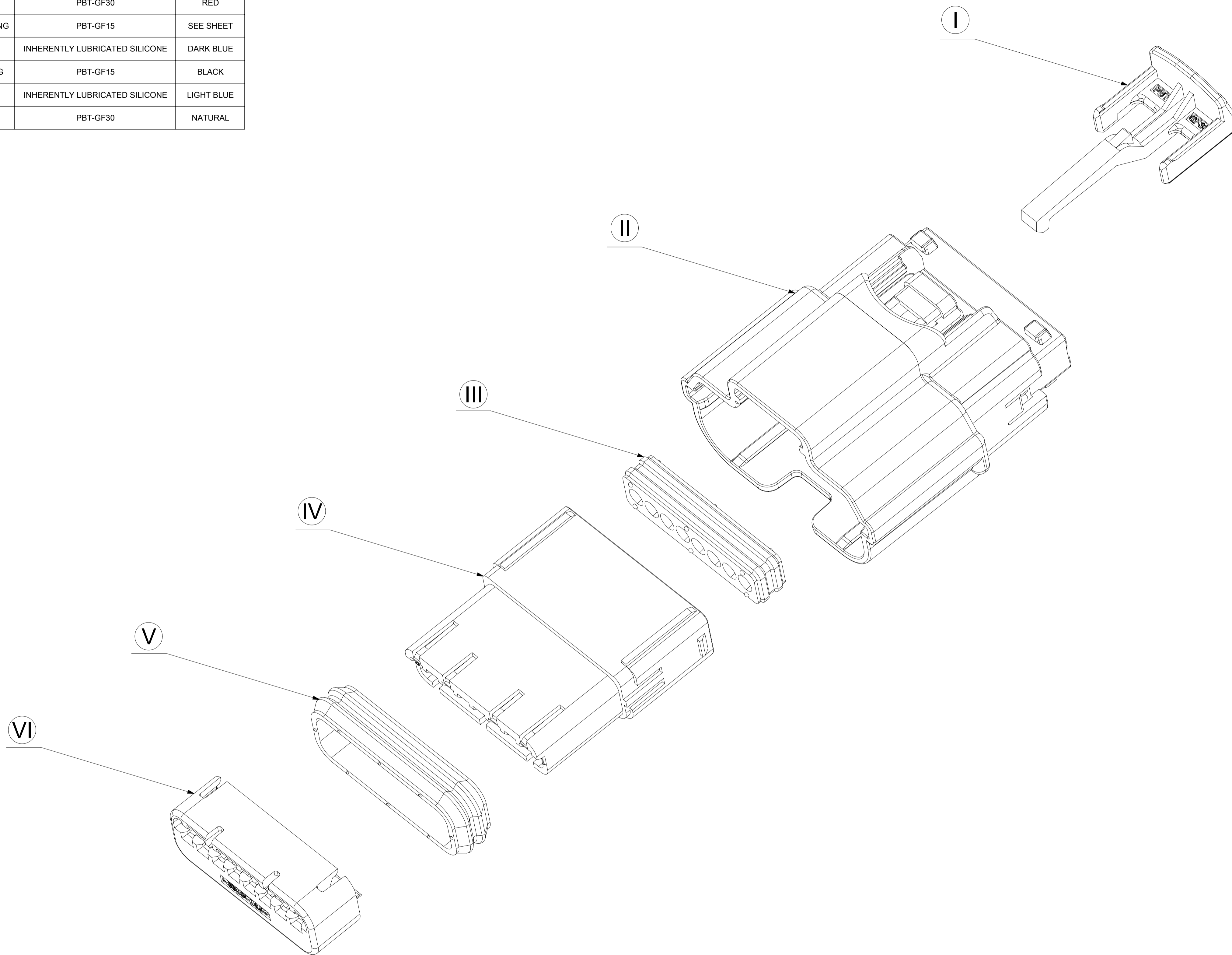
CIRCUIT ID

| INSPECTION BALLOON NUMBER LOG | |
|-------------------------------|---|
| PER DRAWING REVISION: | F |
| LAST BALLOON NUMBER USED: | 4 |
| ADDED BALLOON NUMBERS: | |
| REMOVED BALLOON NUMBERS: | |

| SYMBOLS | THIS DRAWING CONTAINS INFORMATION THAT IS PROPRIETARY TO MOLEX ELECTRONIC TECHNOLOGIES, LLC AND SHOULD NOT BE USED WITHOUT WRITTEN PERMISSION | CURRENT REV DESC: | molex | | |
|----------------|---|-------------------|---|--|--|
| ▽ = 0 | DIMENSION UNITS: mm | SCALE: 4:1 | USCAR 0.64MM 8 WAY ADD NEW P/N: 314049184/9194 PRODUCT CUSTOMER DRAWING DOCUMENT NUMBER: SD-31404-811 DOC TYPE: PSD DOC PART: 001 REVISION: G10 MATERIAL NUMBER: 31404 CUSTOMER: GENERAL MARKET SHEET NUMBER: 1 OF 4 | | |
| ▽ = 0 | GENERAL TOLERANCES (UNLESS SPECIFIED) | | | | |
| ▽ = 0 | ANGULAR TOL ± 1.0° | | | | |
| ▽ = 0 | 4 PLACES ± | | | | |
| ▽ = 0 | 3 PLACES ± | | | | |
| ▽ = 0 | 2 PLACES ± 0.13 | | | | |
| ▽ = 0 | 1 PLACE ± 0.25 | | | | |
| ▽ = 0 | 0 PLACES ± | | | | |
| ▽ = 0 | DRAFT WHERE APPLICABLE MUST REMAIN WITHIN DIMENSIONS | | | | |
| ▽ = 0 | THIRD ANGLE PROJECTION | | | | |
| DRWNO: MCHEN37 | | 2021/04/29 | EC NO: 662414 DRWN: MCHEN37 CHK'D: JDENG02 APPR: JDENG02 INITIAL REVISION: DRWN: GLI04 APPR: DC LISLE | | |
| 2021/05/18 | | 2021/05/18 | | | |
| 2021/05/18 | | 2021/05/18 | | | |
| 2014/06/12 | | 2014/07/28 | A1-SIZE 31404 | | |

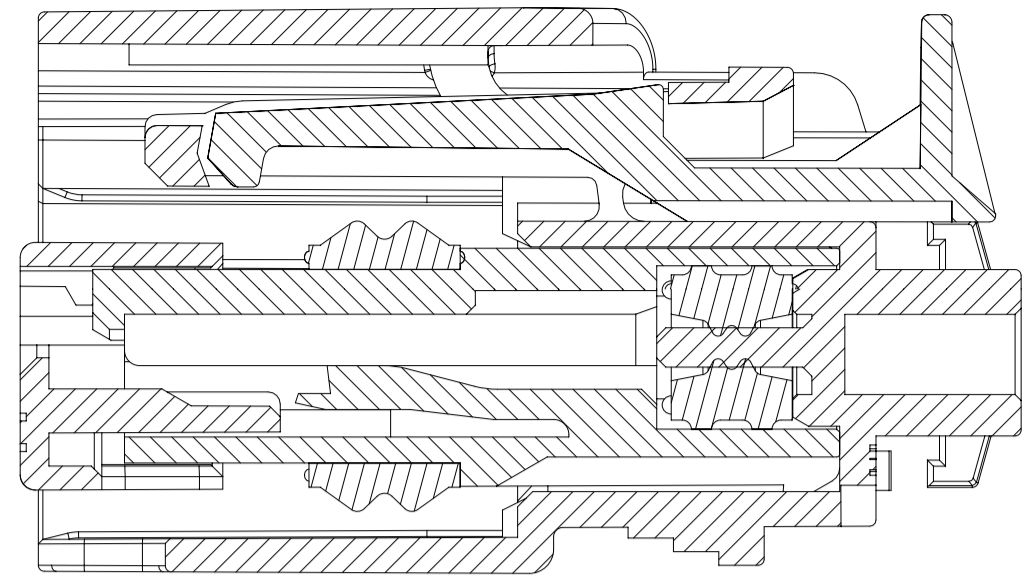
| SHEET DESCRIPTION | |
|-------------------|--|
| BOM | |

| ITEM NO. | DESCRIPTION | MATERIAL | COLOR |
|----------|-------------------|--------------------------------|------------|
| I | CPA | PBT-GF30 | RED |
| II | CONNECTOR HOUSING | PBT-GF15 | SEE SHEET |
| III | MATTE SEAL | INHERENTLY LUBRICATED SILICONE | DARK BLUE |
| IV | TERMINAL HOUSING | PBT-GF15 | BLACK |
| V | PERIPHERAL SEAL | INHERENTLY LUBRICATED SILICONE | LIGHT BLUE |
| VI | TPA | PBT-GF30 | NATURAL |

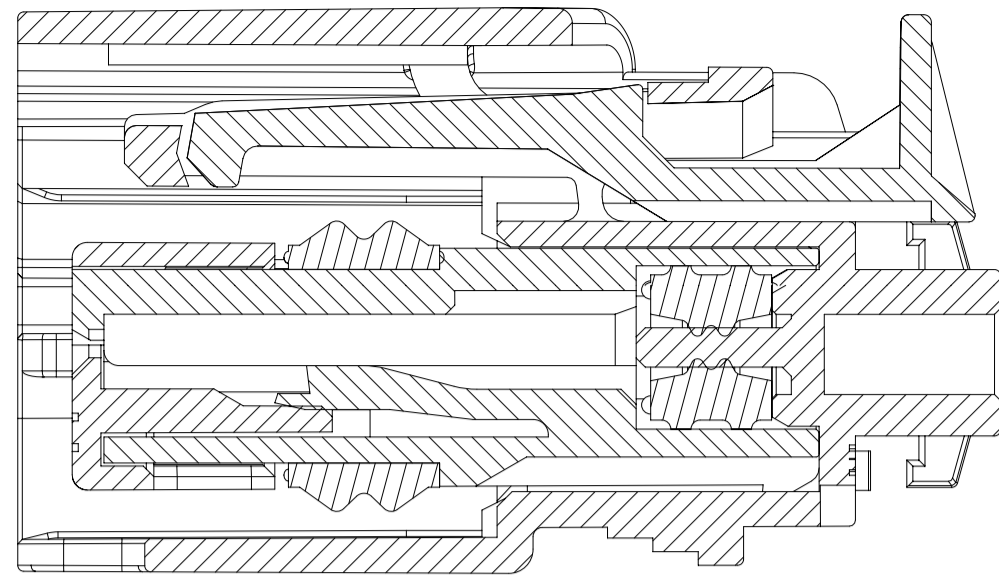


| |
|---|
| SYMBOLS = 0 |
|---|

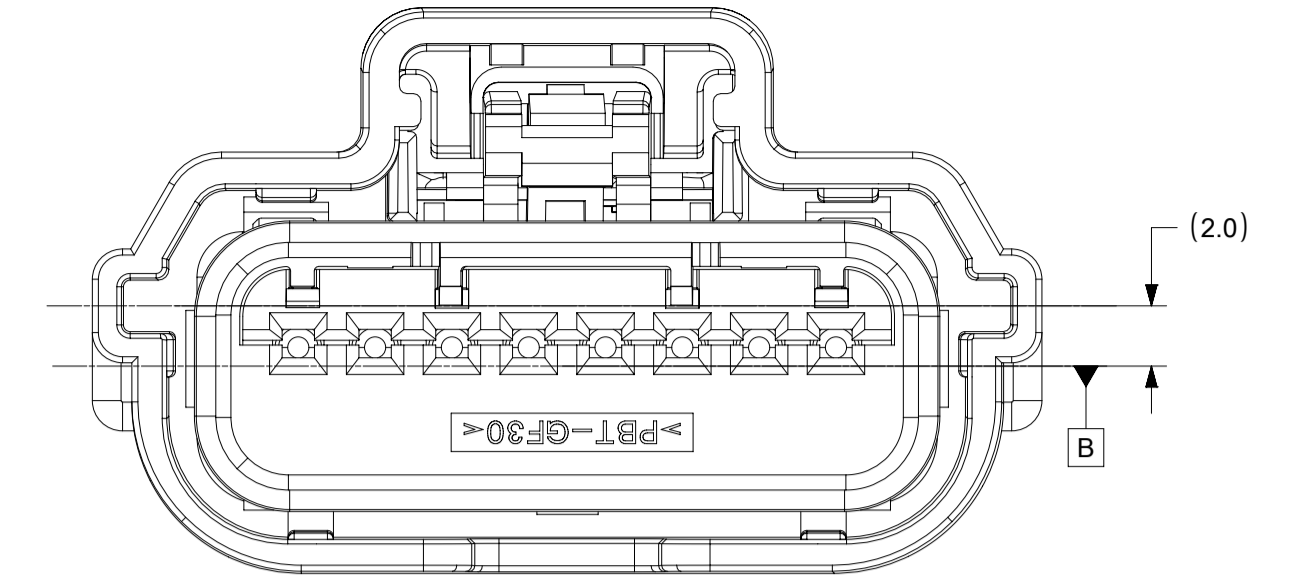
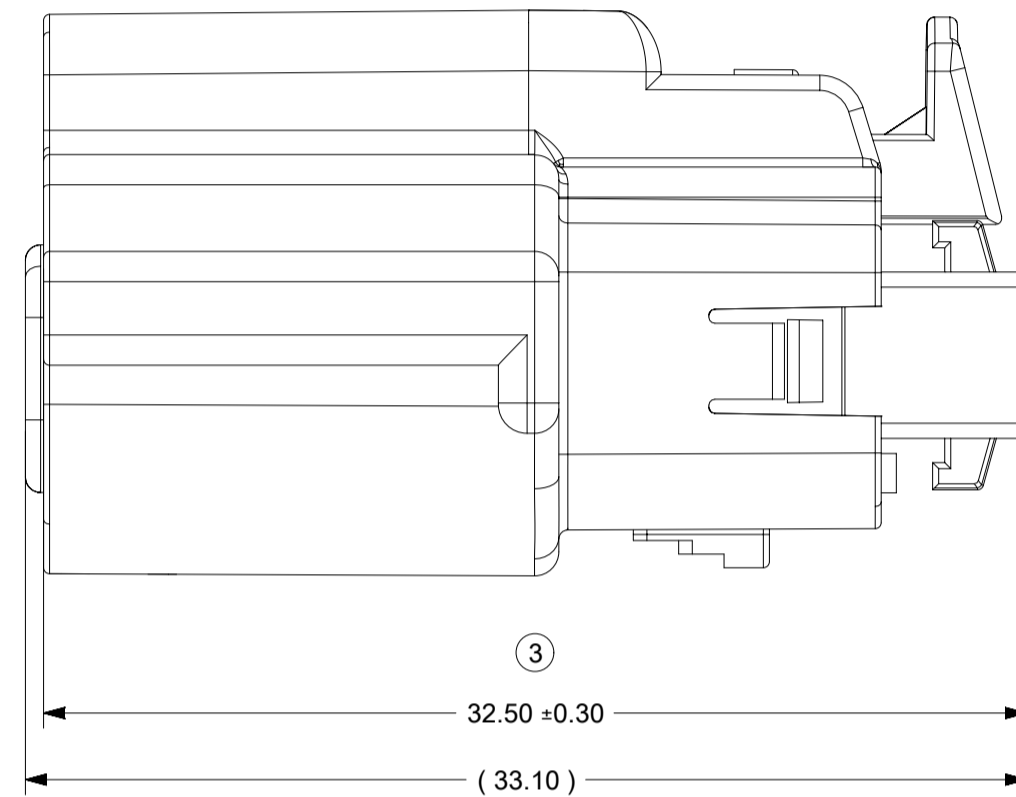
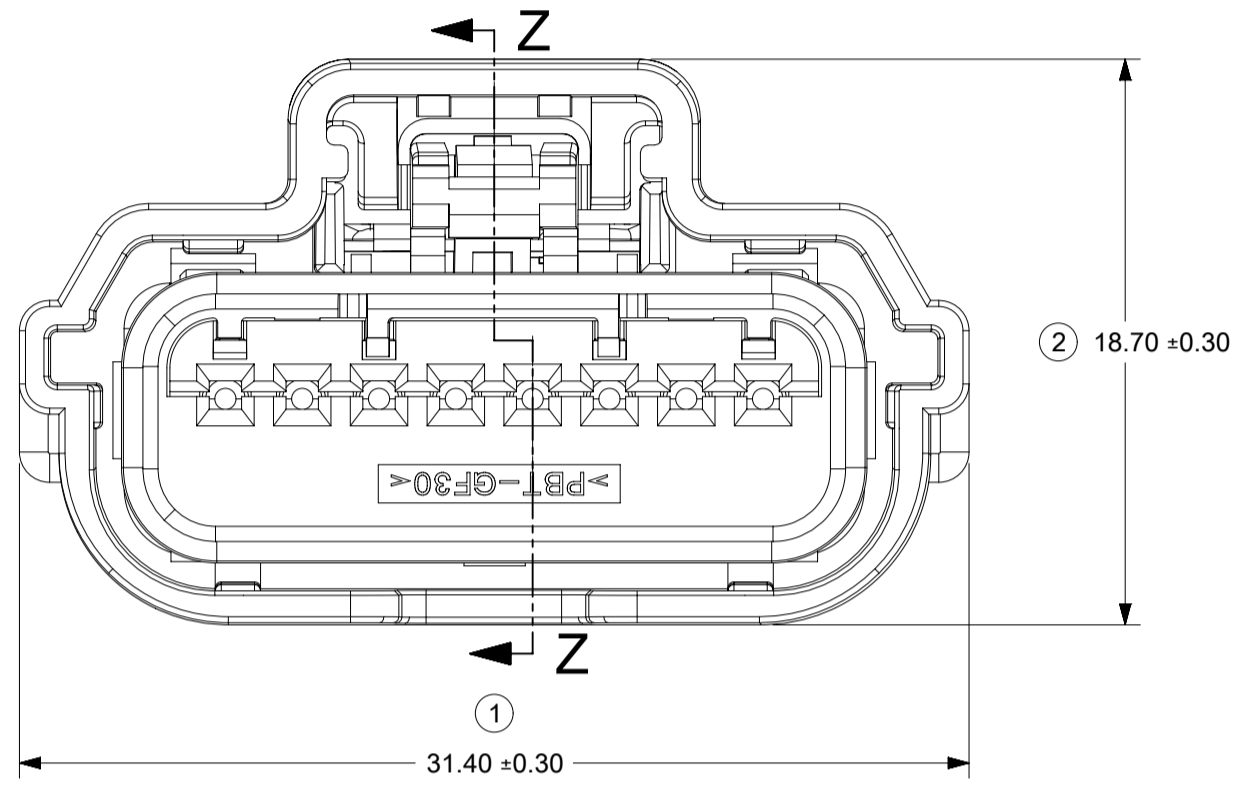
SHEET DESCRIPTION
KEY CONFIGURATIONS



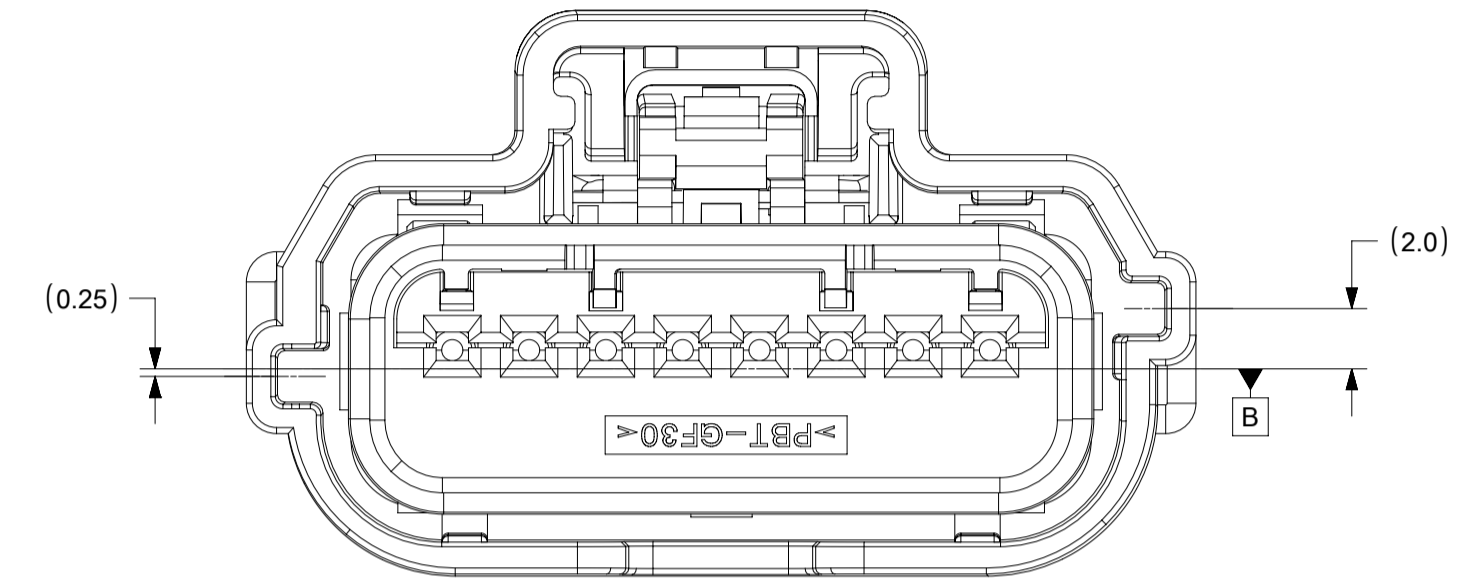
SECTION Z-Z
TPA SHOWN IN AS-SHIPPED
PRE-SET POSITION
SEE NOTE 1-a



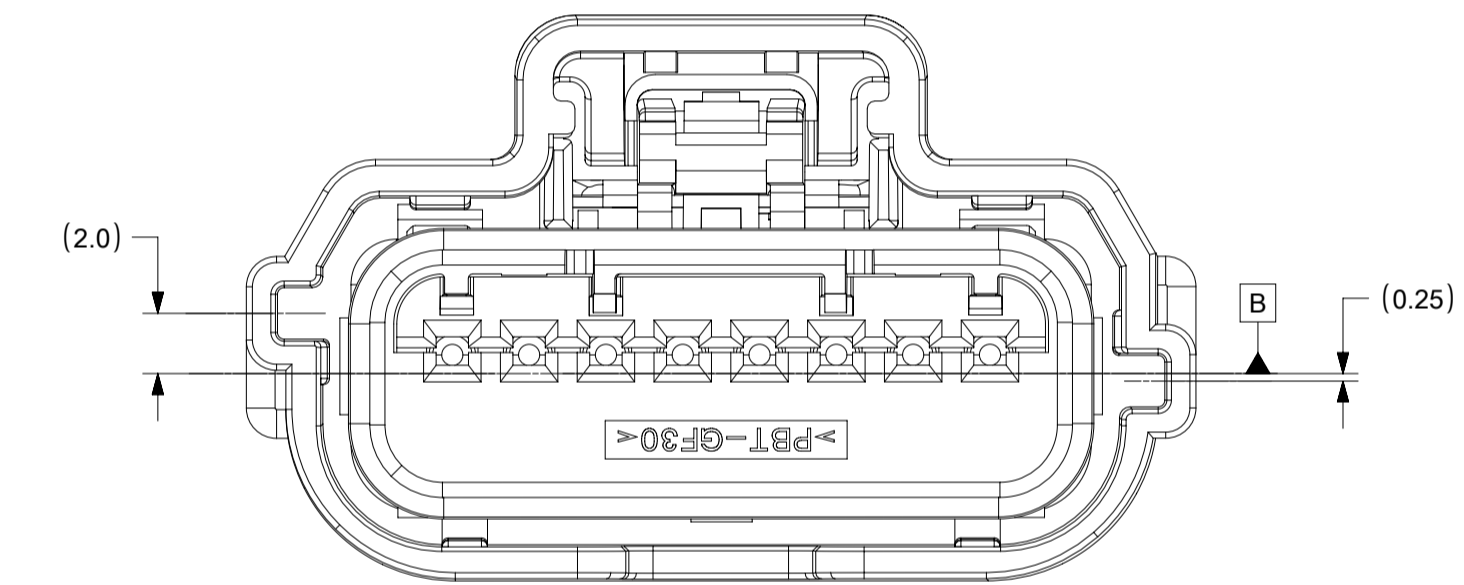
SECTION Y-Y
TPA SHOWN IN FINAL
LOCK POSITION
SEE NOTE 1-a



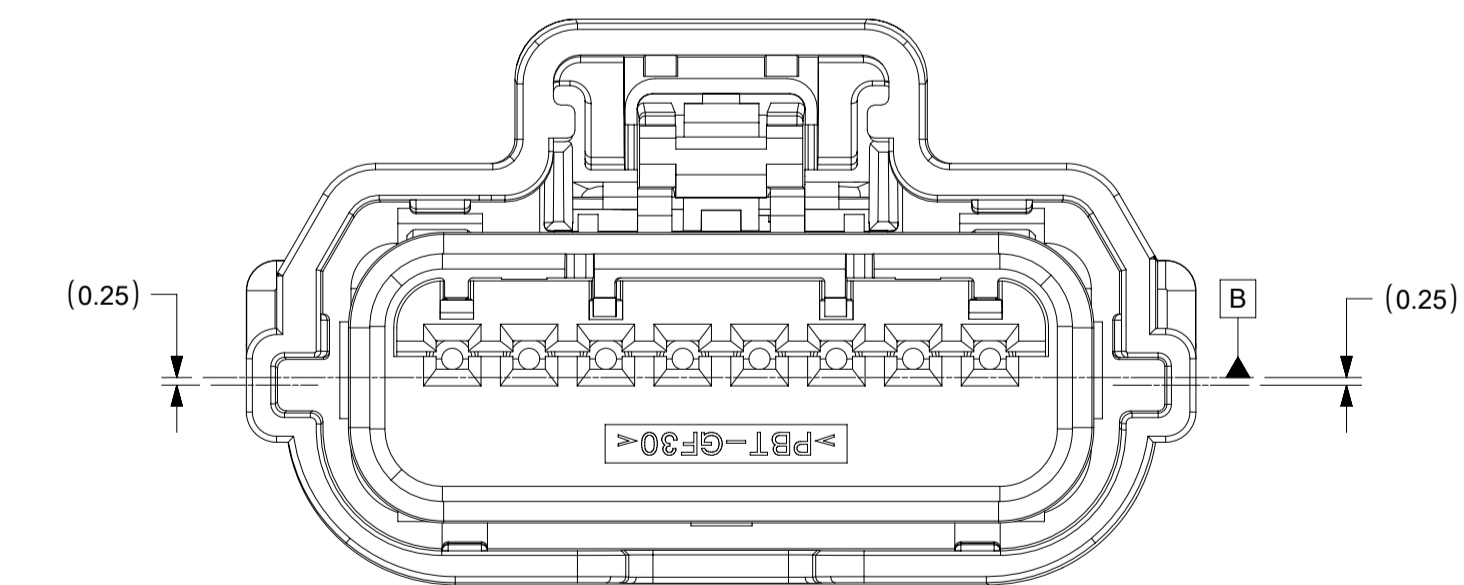
POLARIZATION A



POLARIZATION B



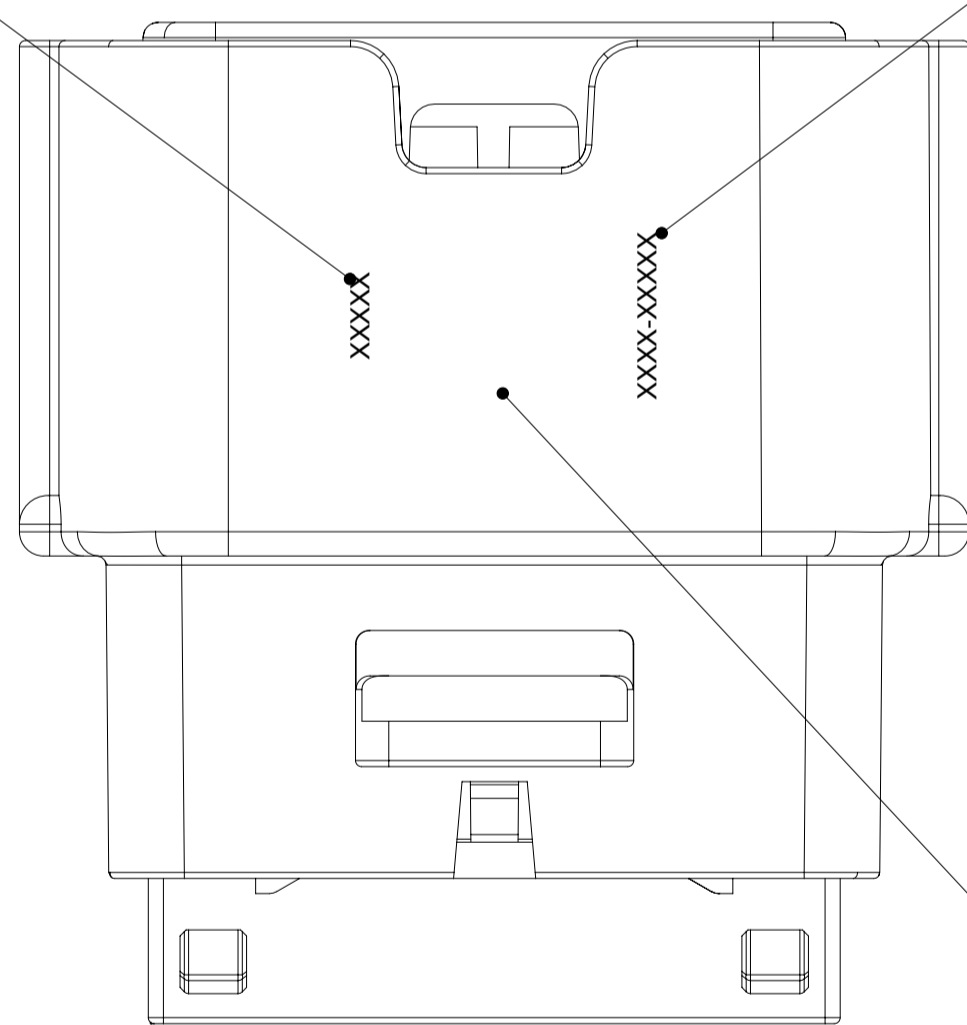
POLARIZATION C



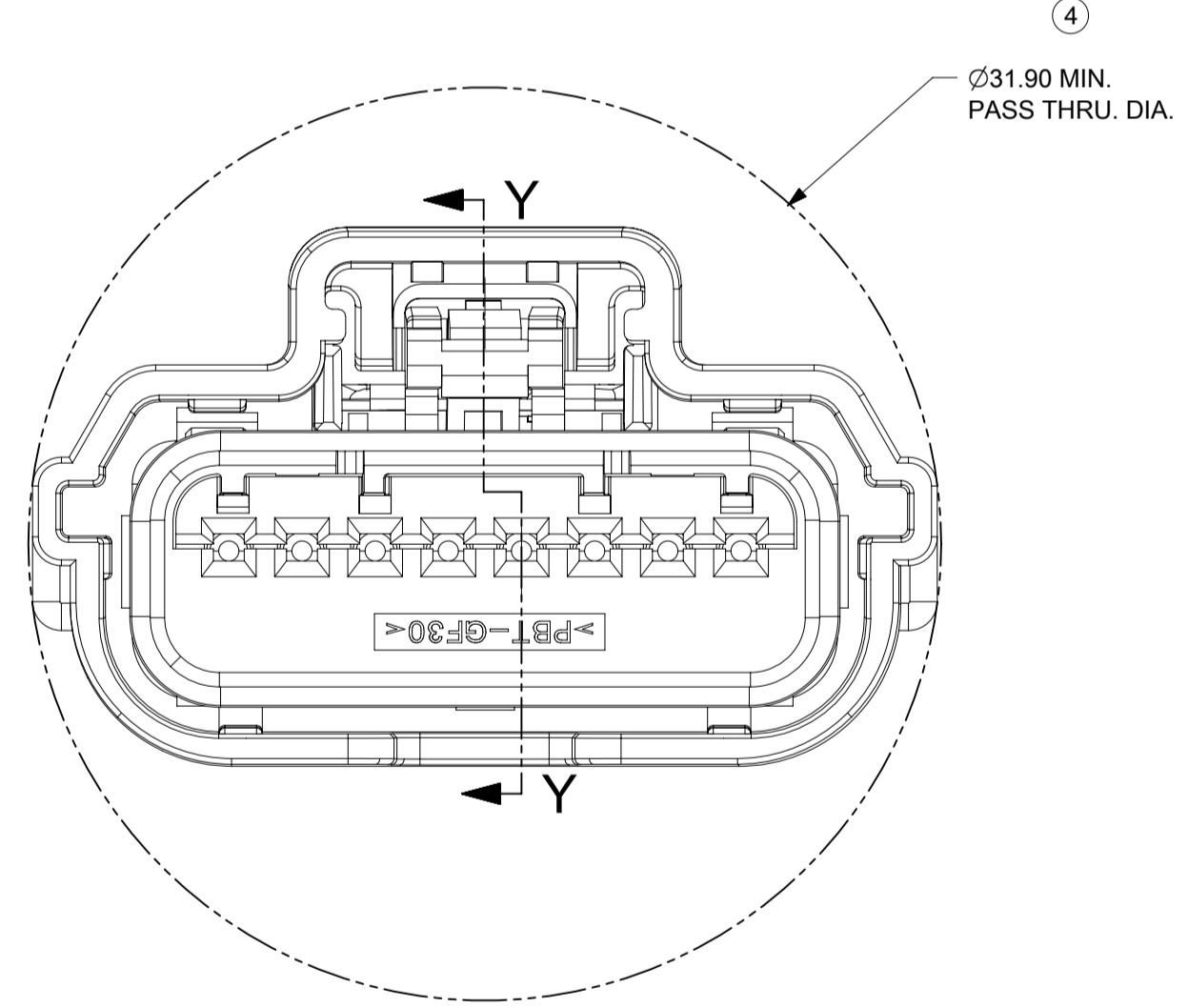
POLARIZATION D

DATE CODE
SEE NOTE 3-b

MOLEX P/N



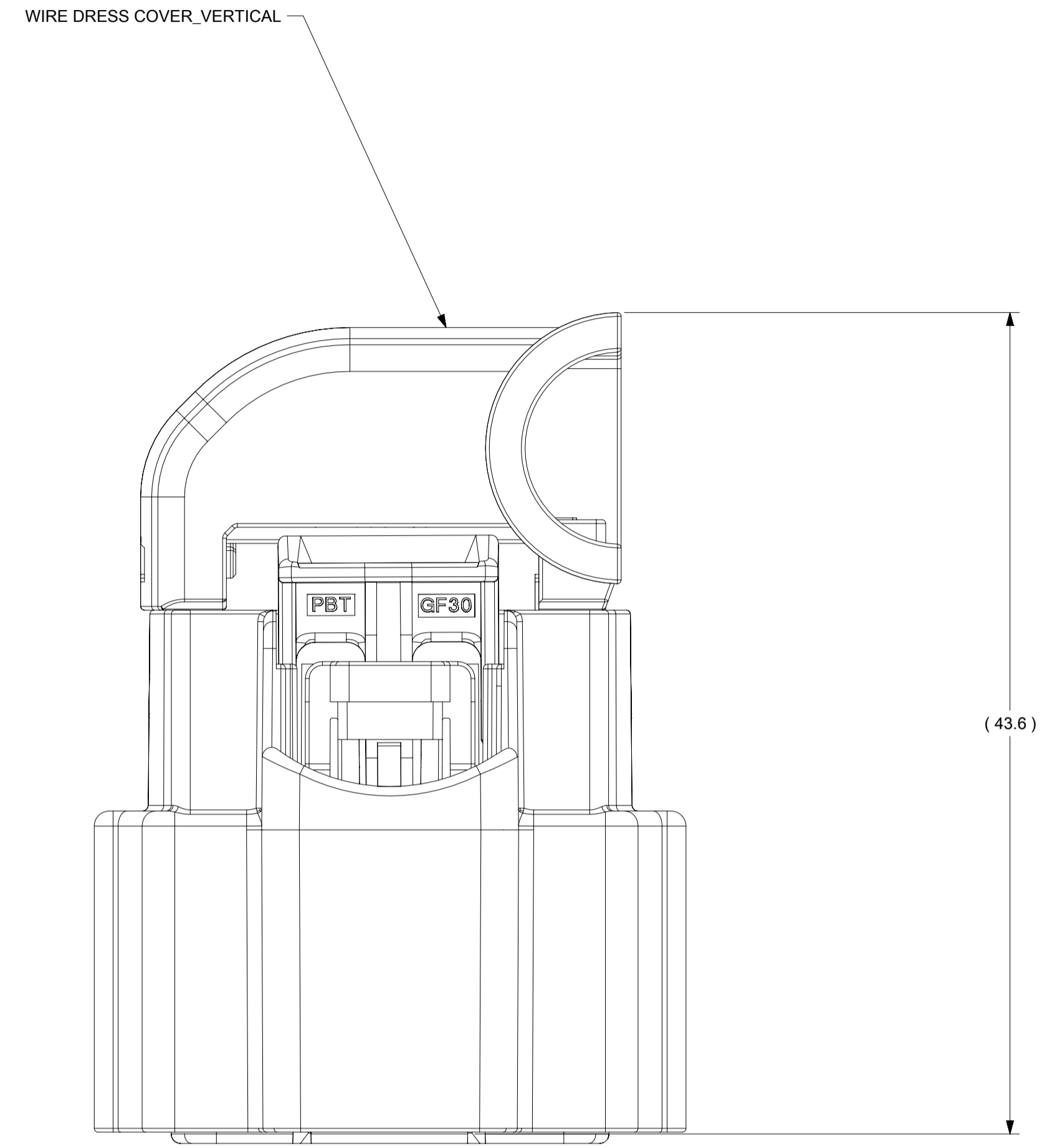
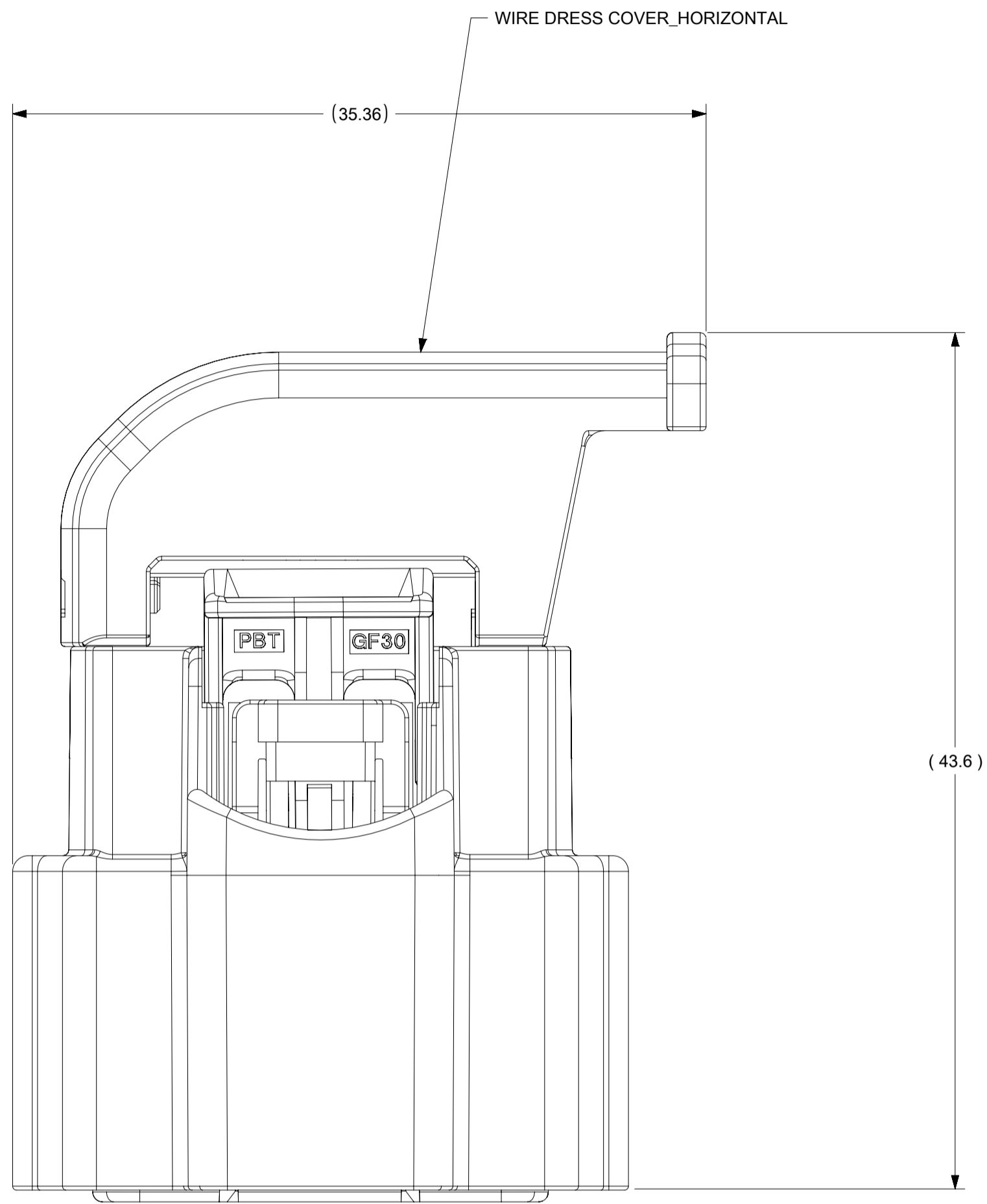
LASER MARKING APPLIED
TO THIS SURFACE



31.90 MIN.
PASS THRU. DIA.

| | | | | | | |
|-----------------|---|--------|------------------------|---------------------|---|--------|
| SYMBOLS | THIS DRAWING CONTAINS INFORMATION THAT IS PROPRIETARY TO MOLEX ELECTRONIC TECHNOLOGIES, LLC AND SHOULD NOT BE USED WITHOUT WRITTEN PERMISSION | | CURRENT REV DESC: | | molex | |
| | DIMENSION UNITS | SCALE | | | | |
| ▽ = 0 | mm | 4:1 | | | USCAR 0.64MM 8 WAY ADD NEW P/N: 314049184/9194 | |
| ▽ = 0 | GENERAL TOLERANCES (UNLESS SPECIFIED) | | | | | |
| ▽ = 0 | ANGULAR TOL ± 1.0° | | EC NO: 662414 | | PRODUCT CUSTOMER DRAWING | |
| ▽ = 0 | 4 PLACES | ± | DRWN: MCHEN37 | 2021/04/29 | | |
| ▽ = 0 | 3 PLACES | ± | CHK'D: JDENG02 | 2021/05/18 | DOCUMENT NUMBER DOC TYPE DOC PART REVISION | |
| ▽ = 0 | 2 PLACES | ± 0.13 | APPR: JDENG02 | 2021/05/18 | | |
| ▽ = 0 | 1 PLACE | ± 0.25 | INITIAL REVISION: | | SD-31404-811 PSD 001 G10 | |
| ▽ = 0 | 0 PLACES | ± | DRWN: GLI04 | 2014/06/12 | | |
| ▽ = 0 | DRAFT WHERE APPLICABLE MUST REMAIN WITHIN DIMENSIONS | | THIRD ANGLE PROJECTION | DRAWING | MATERIAL NUMBER CUSTOMER SHEET NUMBER | |
| ▽ = 0 | | | THIRD ANGLE PROJECTION | A1-SIZE 31404 | | |
| DOCUMENT STATUS | | P1 | RELEASE DATE | 2021/05/18 01:31:59 | GENERAL MARKET | 3 OF 4 |

| |
|---------------------------|
| SHEET DESCRIPTION |
| WIRE DRESS COVER ASSEMBLY |



| | | | |
|-----------------|---|------------------------|--|
| SYMBOLS | THIS DRAWING CONTAINS INFORMATION THAT IS PROPRIETARY TO MOLEX ELECTRONIC TECHNOLOGIES, LLC AND SHOULD NOT BE USED WITHOUT WRITTEN PERMISSION | | |
| | DIMENSION UNITS | SCALE | CURRENT REV DESC: |
| ▽ = 0 | mm | 4:1 | EC NO: 662414 DRWN: MCHEN37 2021/04/29 CHK'D: JDENG02 2021/05/18 APPR: JDENG02 2021/05/18 |
| ▽ = 0 | GENERAL TOLERANCES (UNLESS SPECIFIED) | | |
| ▽ = 0 | ANGULAR TOL ± 1.0° | | |
| ▽ = 0 | 4 PLACES ± | | |
| ▽ = 0 | 3 PLACES ± | | INITIAL REVISION: DRWN: GLI04 2014/06/12 APPR: DC_LISLE 2014/07/28 |
| ▽ = 0 | 2 PLACES ± 0.13 | | |
| ▽ = 0 | 1 PLACE ± 0.25 | | MATERIAL NUMBER SD-31404-811 |
| ▽ = 0 | 0 PLACES ± | | |
| ▽ = 0 | DRAFT WHERE APPLICABLE MUST REMAIN WITHIN DIMENSIONS | THIRD ANGLE PROJECTION | DRAWING A1-SIZE |
| ▽ = 0 | | | SERIES 31404 |
| DOCUMENT STATUS | | RELEASE DATE | DOCUMENT NUMBER SD-31404-811 |
| P1 | 2021/05/18 01:31:59 | | DOC TYPE PSD |
| | | | DOC PART 001 |
| | | | REVISION G10 |
| | | | CUSTOMER GENERAL MARKET |
| | | | SHEET NUMBER 4 OF 4 |