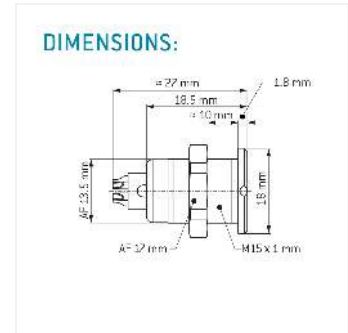
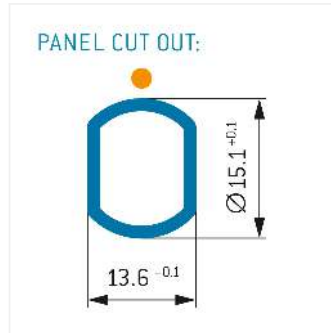


ODU MINI-SNAP[®] Series L Receptacle acc. IEC 60601-1

General information

Part number	G12LAC-P12NFG2-000L
Termination	Crimp
Size	2
Locking principle	push
Coding	a_key
customs tariff numbers	85366990



Contact insert description

Number of contacts	12
Contact type	sockets
Contact diameter	0.7mm
Insulator material	peek
Wire cross section	22-26 AWG
Termination	Crimp

Technical information

Max. creepage and air clearance distance	12 mm	2 moop
Nominal current single contact	0.75 A	iec_60512_5_2
Nominal current insert	4.1 A	vde_0298_7
Test voltage	12 kv_ac	sae_13441

safety_text

Mechanical and environmental data

Degree of protection*	ip50
Operating temperature	40_120_c
Mating cycles	5000

mated_unmated

Material and surface treatments

Housing	chrome_finish
Contact	cu_alloy_gold

safety_text_2
ul_text
illustrative_text