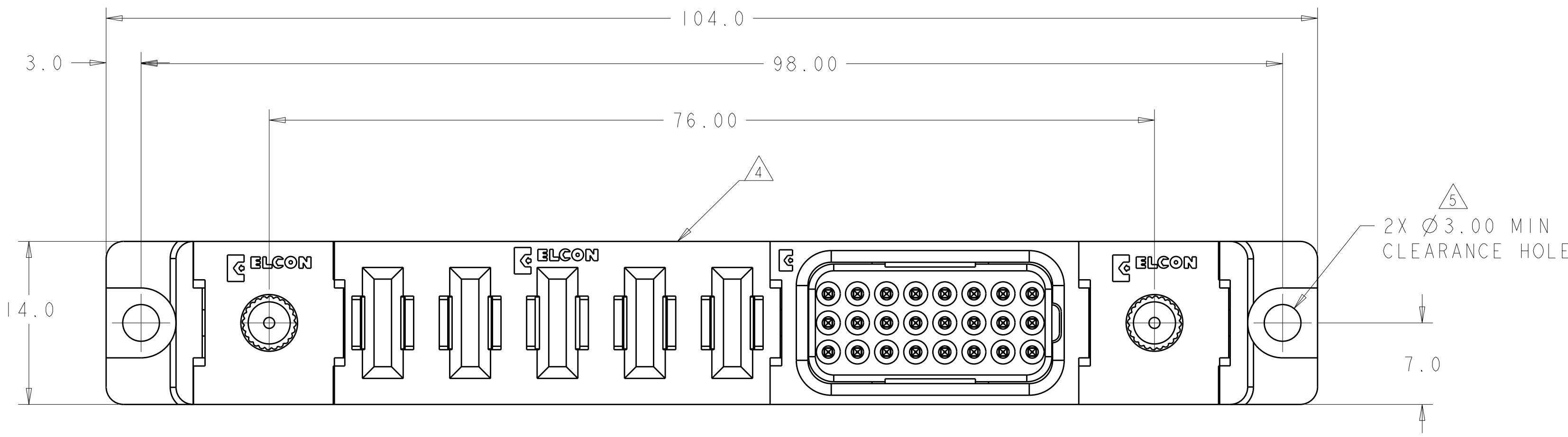


LOC	DIST	REVISIONS			
P	LTR	DESCRIPTION	DATE	DWN	APVD
A		NEW RELEASE	030C107	RG	PD
B		REV PER ECO-11-020831	15SEP2011	RG	MS



1. PART NUMBER CHANGES AND OR DESIGN CHANGES AFFECTING ITEM INTERCHANGEABILITY REQUIRE PRIOR TYCO ELECTRONICS APPROVAL AND AUTHORIZATION BY REVISION TO THIS DRAWING.

2. MATERIAL:  
 INSULATORS - THERMOPLASTIC, GLASS REINFORCED, COLOR: BLACK, UL94V-0 FLAMMABILITY RATED.  
 POWER CONTACTS - PHOSPHOR BRONZE ALLOY, COPPER ALLOY  
 CROWN BAND-BERYLLIUM COPPER ALLOY  
 SIGNAL CONTACTS-BERYLLIUM COPPER ALLOY  
 GUIDE PIN-BRASS ALLOY

3. FINISH:  
 CONTACTS - GOLD PLATE .76µm MIN. THK., OVER NICKEL 1.27µm MIN. THK.  
 SOLDER TAILS- TIN 3.05 MIN. THK. OVER NICKEL 1.27µm MIN THK.  
 GUIDE PIN - NICKEL PLATE 1.27µm MIN THK.

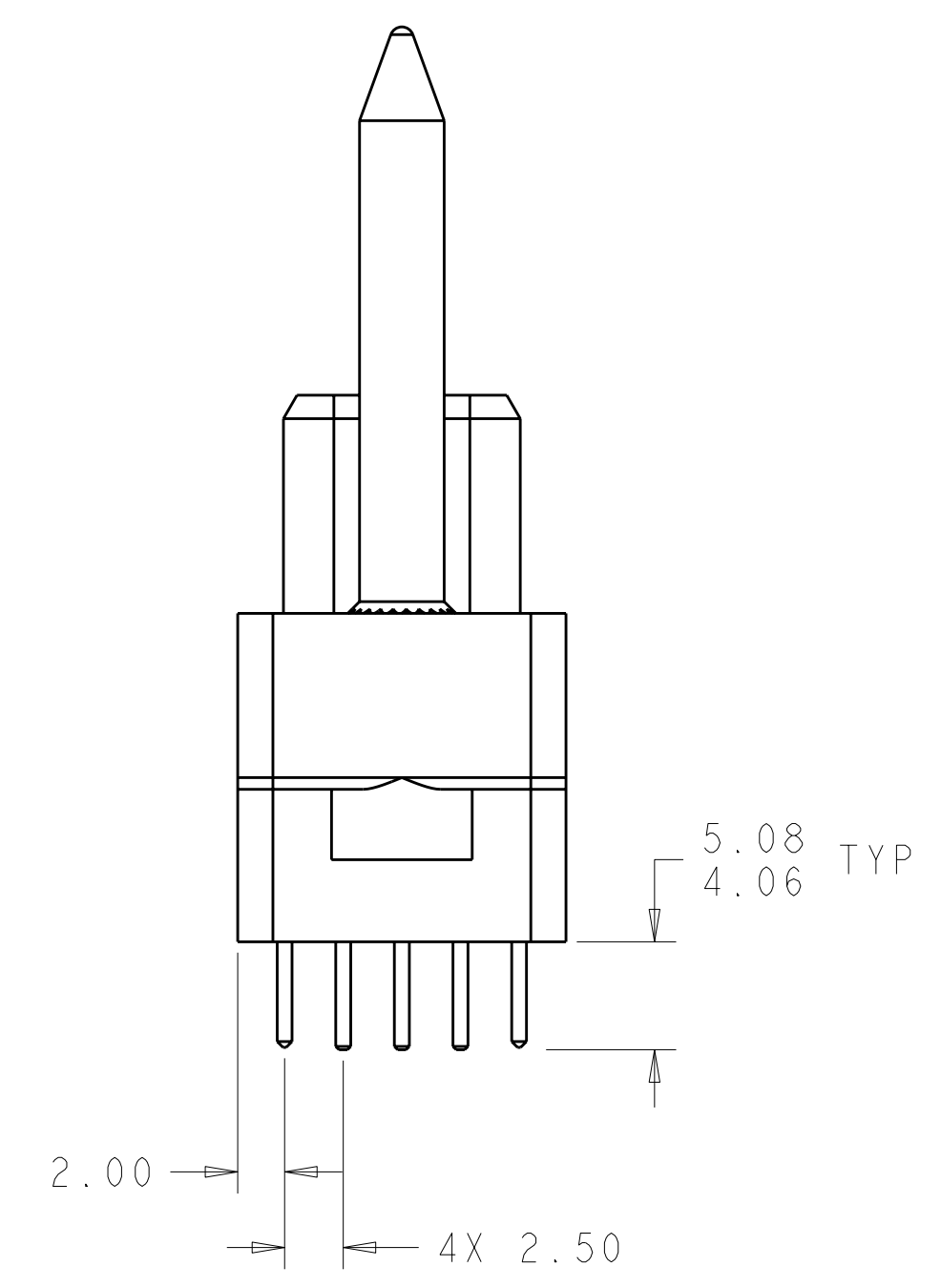
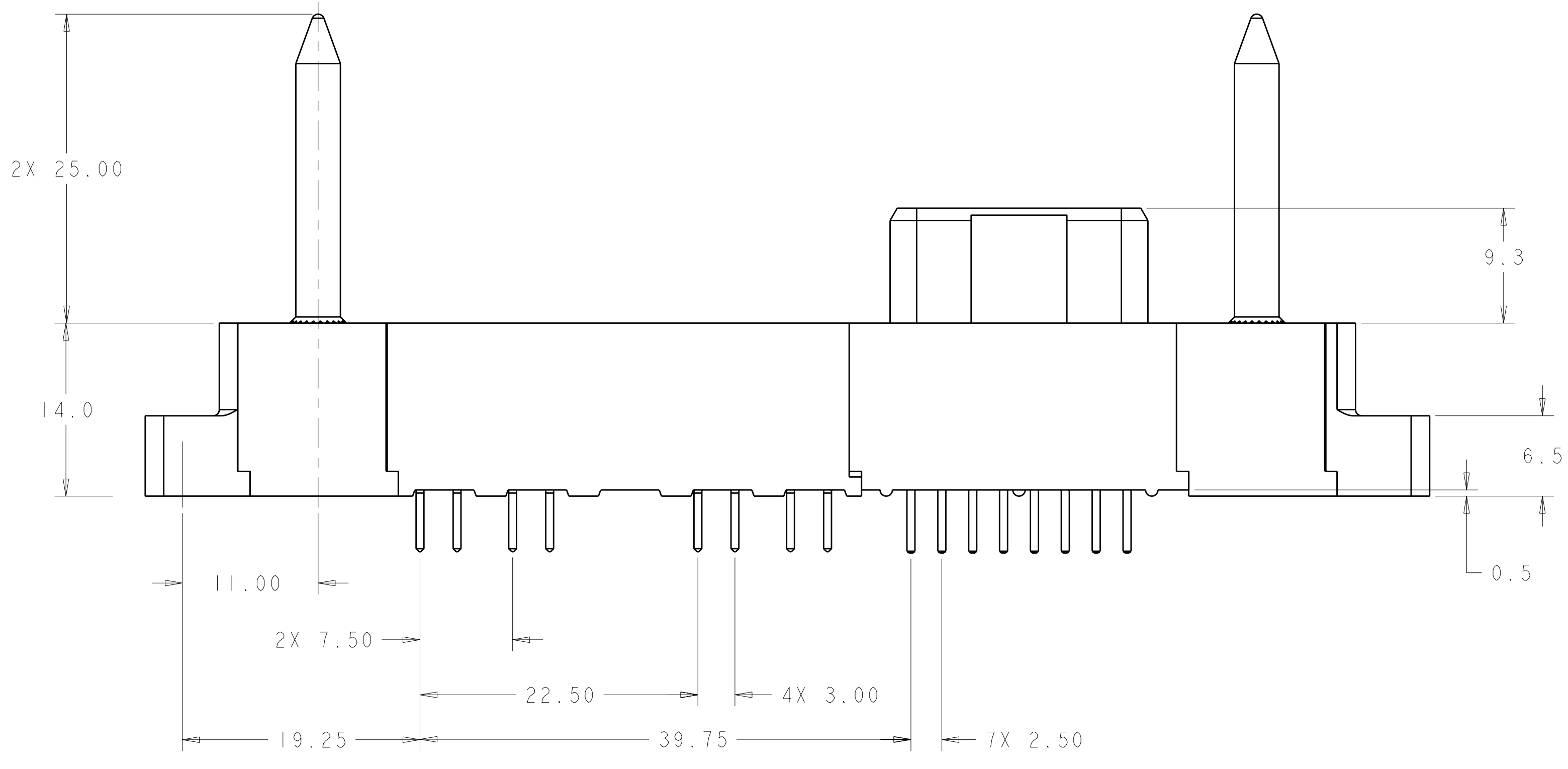
△ ITEMS PROVIDED TO THIS SPECIFICATION TO BE PERMANENTLY IDENTIFIED PER THE FOLLOWING IDENTIFIER LABEL

YEAR WEEK

TYCO ELECTRONICS P/N      DATE CODE (e.g. 0106)

XXXXXXXX-X                  XXXX

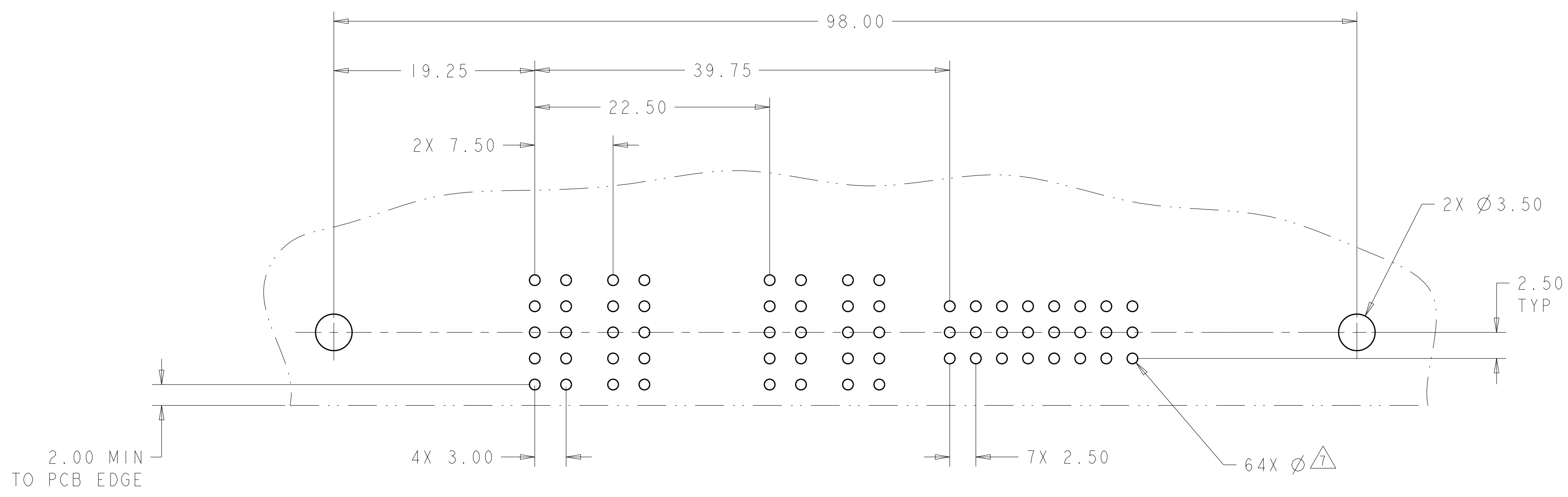
△ MOUNTING FLANGES ACCEPT #6 SCREWS. (USER SUPPLIED)



**ELCON FLATPAQ**

AS SHOWN		6651288-1	
DESCRIPTION		PART NUMBER	
DIMENSIONS: mm TOLERANCES UNLESS OTHERWISE SPECIFIED: 9 PLC ±.3 1 PLC ±0.3 5 PLC ±0.15 4 PLC ±. ANGLES ±. FINISH #3		DWN R. GRZYBOWSKI 030C107 CHK P. DAMATO 030C107 APVD S. FLICKINGER 030C107 PRODUCT SPEC APPLICATION SPEC WEIGHT CUSTOMER DRAWING	
Tyco Electronics Harrisburg, PA 17105-3608		NAME SOCKET CONNECTOR STRAIGHT, SOLDER TAILS FLATPAQ	
SIZE CAGE CODE DRAWING NO A 100779 C-6651288		RESTRICTED TO SCALE 3:1 SHEET 1 OF 3 REV B	

LOC	DIST	REVISIONS			
REV	DATE	DESCRIPTION	DATE	DWN	APVD
GP	00	SEE SHEET 1	-	-	-

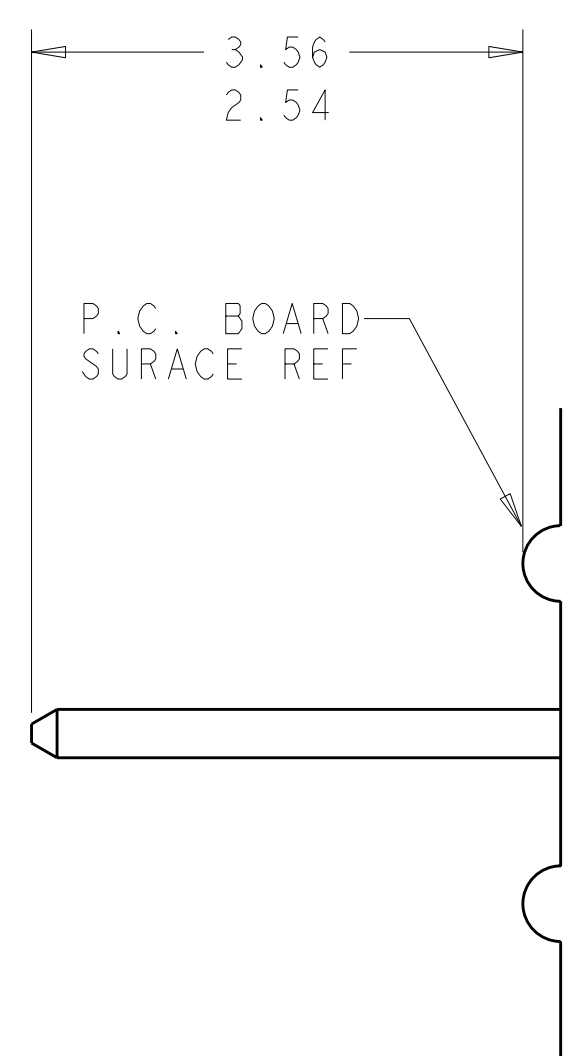


PRINTED CIRCUIT LAYOUT  
 COMPONENT SIDE

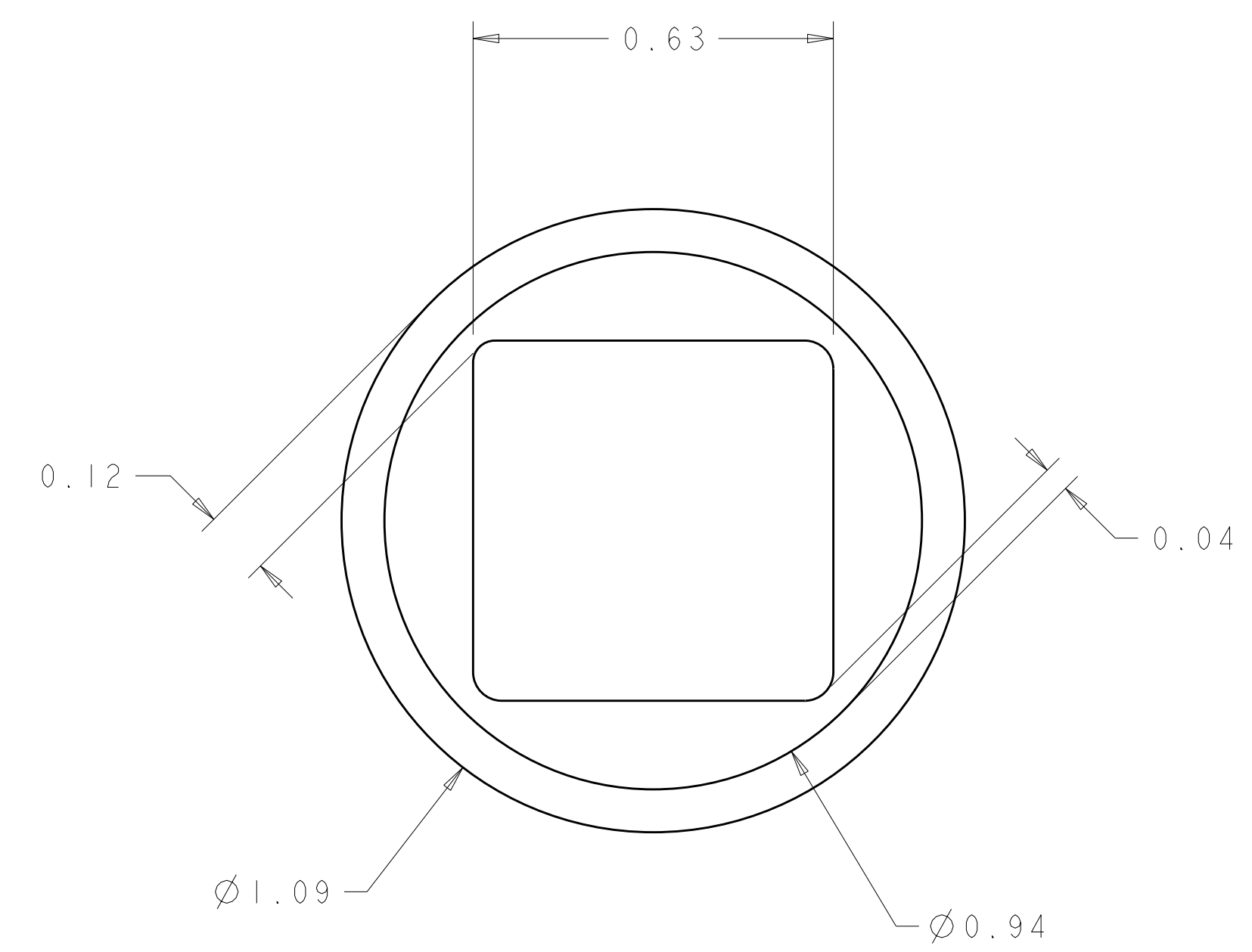
CONNECTOR	CATALOG MODULE #	QTY	SIZE NO.	CONTACT QTY	MATING PIN	MAX. CURRENT (PER CONTACT)	CONTACT SPACING	VOLTAGE RATING
SOCKET	FP100	4	8	4	1.25 X 7.00 [.049 X .276]	35 amps	7.50 [0.295]	250 VOLTS
	FP301	1	22	24	.64 [.025] SQ.	3 amps	2.50 [.0984]	125 VOLTS
	FP511	1	SPACER					
	FP503	2	STRAIGHT GUIDE PIN					
	FP500	1	MOUNTING FLANGE, LEFT					
	FP501	1	MOUNTING FLANGE, RIGHT					

<small>THIS DRAWING IS UNPUBLISHED. RELEASED FOR PUBLICATION BY TYCO ELECTRONICS CORPORATION. ALL RIGHTS RESERVED.</small>		DWN R. GRZYBOWSKI 03OCT07 CHK P. DAMATO 03OCT07 APVD S. FLICKINGER 03OCT07	Tyco Electronics Harrisburg, PA 17105-3608
DIMENSIONS: mm 	TOLERANCES UNLESS OTHERWISE SPECIFIED: 0 PLC ±.3 1 PLC ±0.3 2 PLC ±0.15 3 PLC ±.1 4 PLC ±.1 ANGLES ±.3	NAME: SOCKET CONNECTOR STRAIGHT, SOLDER TAILS FLATPAQ PRODUCT SPEC: - APPLICATION SPEC: - WEIGHT: - FINISH: -	SIZE: A   00779   C=6651288 SCALE: 3:1 SHEET 2 OF 3 REV B
MATERIAL: -		CUSTOMER DRAWING	

LOC	DIST	REVISIONS					
GP	00	P	LTR	DESCRIPTION	DATE	DWN	APVD
-	-	-	-	SEE SHEET 1	-	-	-



6. SOLDER PIN DETAIL  
SCALE 10 : 1



**7** SOLDER TERMINATION AREA  
 SCALE 40:1  
 RECOMMENDED PRINTED CIRCUIT SOLDER HOLE  
 FINISHED HOLE: Ø1.02 [ .040 ] ±.08 [ .003 ]  
 DRILLED HOLE: Ø1.15 [ .0453 ] ±.013 [ .0005 ]  
 COPPER PLATE: .025 [ .0010 ] MIN  
 TIN PLATE: .008 [ .0003 ] MIN. (PER SURFACE)

<small>THIS DRAWING IS UNPUBLISHED. RELEASED FOR PUBLICATION BY TYCO ELECTRONICS CORPORATION. IT IS SUBJECT TO CHANGE WITHOUT NOTICE AND WITHOUT OBLIGATION. SHOULD BE CONTACTED FOR THE LATEST REVISION.</small>		DWN R. GRZYBOWSKI 03OCT07 CHK P. DAMATO 03OCT07 APVD S. FLICKINGER 03OCT07	Tyco Electronics Harrisburg, PA 17105-3608
DIMENSIONS: mm 	TOLERANCES UNLESS OTHERWISE SPECIFIED: 0 PLC ±. 1 PLC ±0.3 2 PLC ±0.15 3 PLC ±. 4 PLC ±. ANGLES ±.	NAME PRODUCT SPEC APPLICATION SPEC WEIGHT CUSTOMER DRAWING	SOCKET CONNECTOR STRAIGHT, SOLDER TAILS FLATPAQ SIZE CAGE CODE DRAWING NO A100779C-6651288 SCALE 3:1 SHEET 3 OF 3 REV B