

PAIRS PER COLUMN
-4
-6
-8

IMPEDANCE
-100: 100 Ω
-085: 85 Ω

WAFERS (SEE NOTE 3)
-LC: STANDARD
-HS: HIGH SPEED

ORIENTATION
-RA: RIGHT ANGLE

PLATING
-S: 30μ" SELECTIVE GOLD IN CONTACT AREA, MATTE TIN ON TAIL

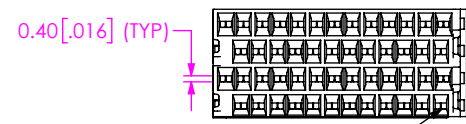
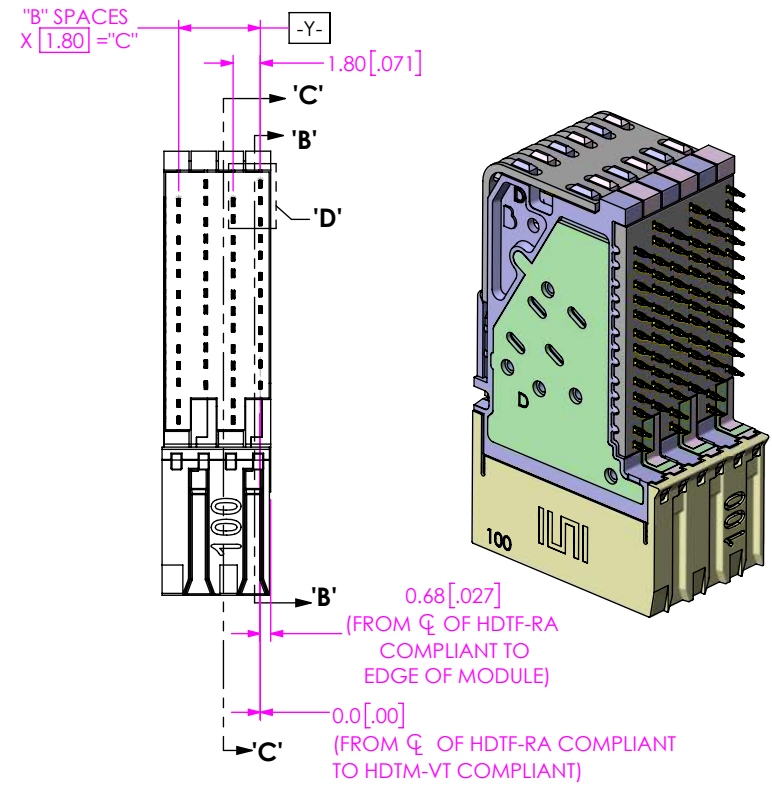
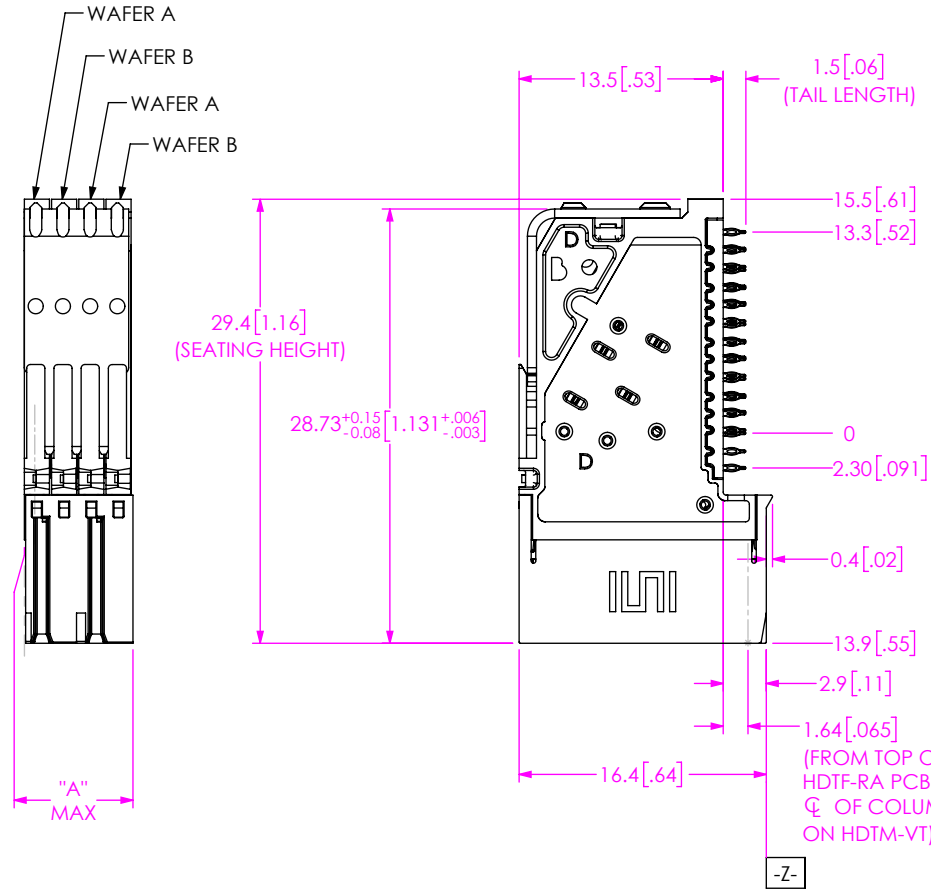


FIG 1 (HDTF-4-04-X-RA-XX-XXX SHOWN)

No. OF COLUMNS	"A"	"B"	"C"
-04	7.2 [0.28]	3	5.40 [0.213]
-06	10.8 [0.42]	5	9.00 [0.354]
-08	14.4 [0.57]	7	12.60 [0.496]

- NOTES:
1. CONTACT SAMTEC FOR CONNECTOR PRESS FIT INSTRUCTIONS AND FIXTURES.
 2. TRAYS TO BE STANDARD PACKAGING.
 3. -LC IS OPEN PIN FIELD, -HS IS FOR DIFFERENTIAL PAIRS. SEE FOOTPRINT DRAWING FOR DETAILS.
 4. ORDERS WILL BE PACKAGED ACCORDING TO THE SAMTEC PACKAGING EFFICIENCY STANDARDS (SPES) FOUND ON WWW.SAMTEC.COM.

UNLESS OTHERWISE SPECIFIED, DIMENSIONS ARE IN MILLIMETERS. TOLERANCES ARE:
 DECIMALS ANGLES
 X.X: ±0.25 1°
 X.XX: ±0.13
 X.XXX: ±

PROPRIETARY NOTE
 THIS DOCUMENT CONTAINS CONFIDENTIAL AND PROPRIETARY INFORMATION AND ALL DESIGN, MANUFACTURING, REPRODUCTION, USE, PATENT RIGHTS AND SALES RIGHTS ARE EXPRESSLY RESERVED BY SAMTEC, INC. THIS DOCUMENT SHALL NOT BE DISCLOSED, IN WHOLE OR PART, TO ANY UNAUTHORIZED PERSON OR ENTITY NOR REPRODUCED, TRANSFERRED OR INCORPORATED IN ANY OTHER PROJECT IN ANY MANNER WITHOUT THE EXPRESS WRITTEN CONSENT OF SAMTEC, INC.

MATERIAL: DO NOT SCALE DRAWING SHEET SCALE: 2:1
 INSULATOR: LCP
 CONTACT: CU ALLOY

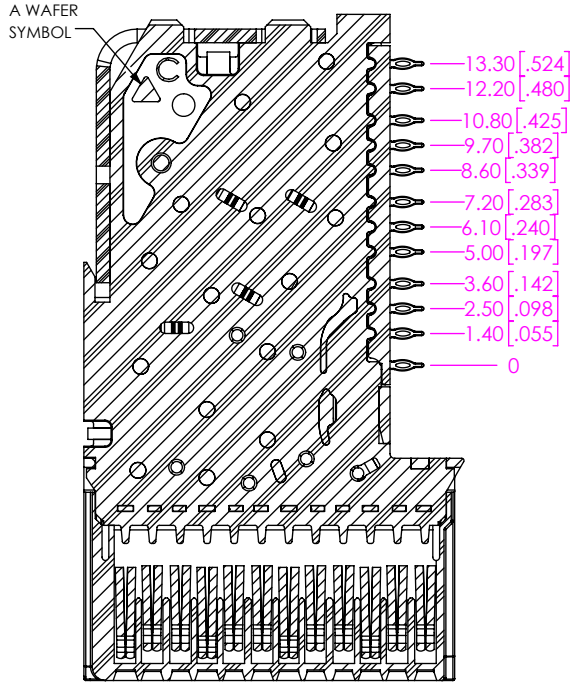
F:\DWG\SW\Exisprod\Assembly\1pt8mm\HDTF-4-XX-X-RA-XX-XXX.SLDDRW

samtec
 520 PARK EAST BLVD, NEW ALBANY, IN 47150
 PHONE: 812-944-6733 FAX: 812-948-5047
 e-Mail: info@SAMTEC.com code 5332

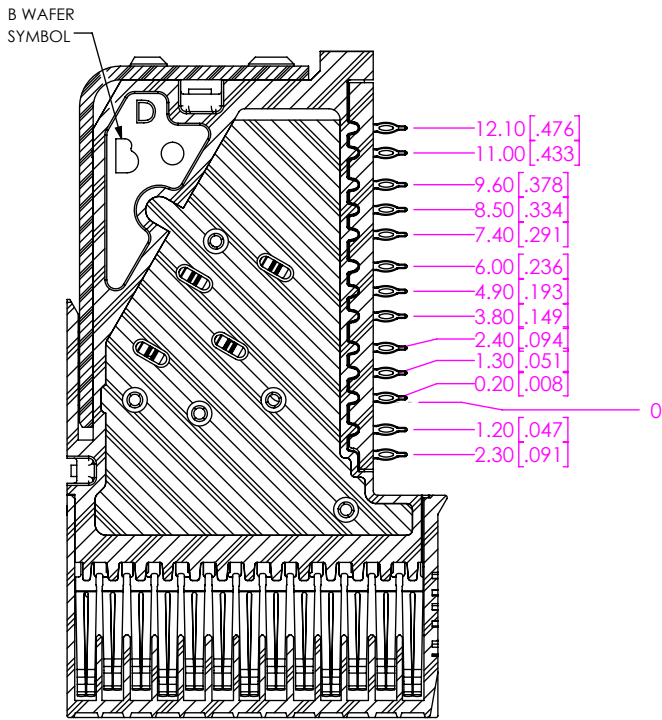
DESCRIPTION:
 XCede? 4 PAIR HD RA ASSEMBLY

DWG. NO.
HDTF-4-XX-X-RA-XX-XXX

BY: J RUZZI 8/5/2016 SHEET 1 OF 2



SECTION 'B'-'B'
SCALE 3 : 1
(WAFER A)
(HS OR LC OPTIONS)



SECTION 'C'-'C'
SCALE 3 : 1
(WAFER B)
(HS OR LC OPTIONS)

• PROPRIETARY NOTE •
THIS DOCUMENT CONTAINS CONFIDENTIAL AND PROPRIETARY INFORMATION AND ALL DESIGN, MANUFACTURING, REPRODUCTION, USE, PATENT RIGHTS AND SALES RIGHTS ARE EXPRESSLY RESERVED BY SAMTEC, INC. THIS DOCUMENT SHALL NOT BE DISCLOSED, IN WHOLE OR PART, TO ANY UNAUTHORIZED PERSON OR ENTITY NOR REPRODUCED, TRANSFERRED OR INCORPORATED IN ANY OTHER PROJECT IN ANY MANNER WITHOUT THE EXPRESS WRITTEN CONSENT OF SAMTEC, INC.



520 PARK EAST BLVD, NEW ALBANY, IN 47150
PHONE: 812-944-6733 FAX: 812-948-5047
e-Mail info@SAMTEC.com code 55322

DO NOT SCALE DRAWING

SHEET SCALE: 2:1

DESCRIPTION:
XCede? 4 PAIR HD RA ASSEMBLY

DWG. NO.
HDTF-4-XX-X-RA-XX-XXX

BY: J RUZZI 8/5/2016 SHEET 2 OF 2