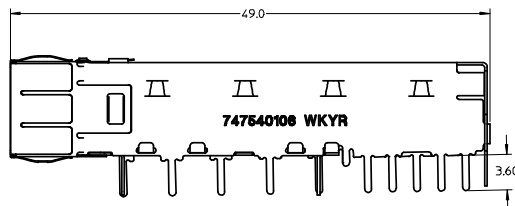
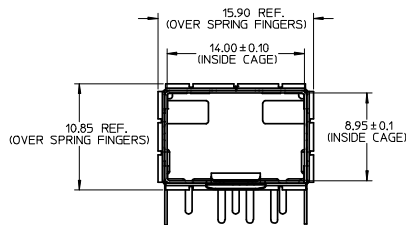


EMI SPRING FINGER

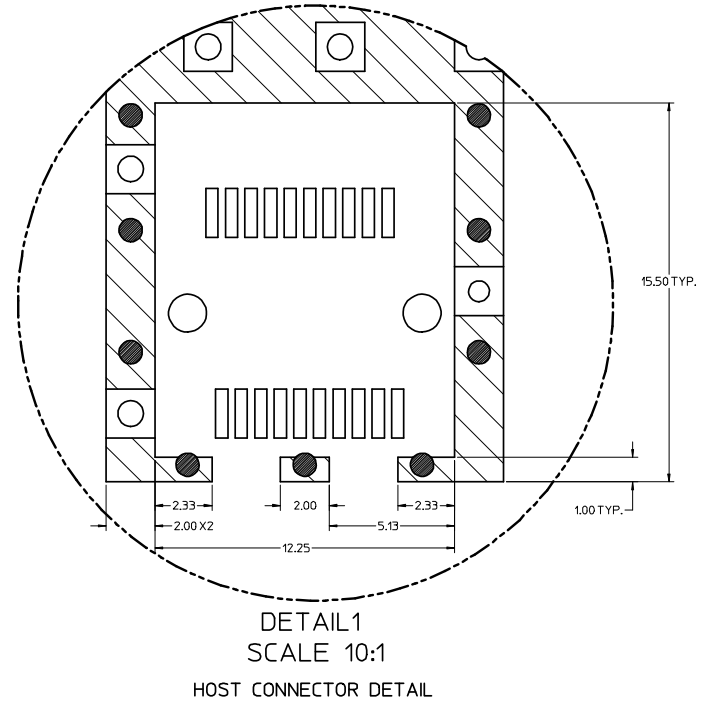
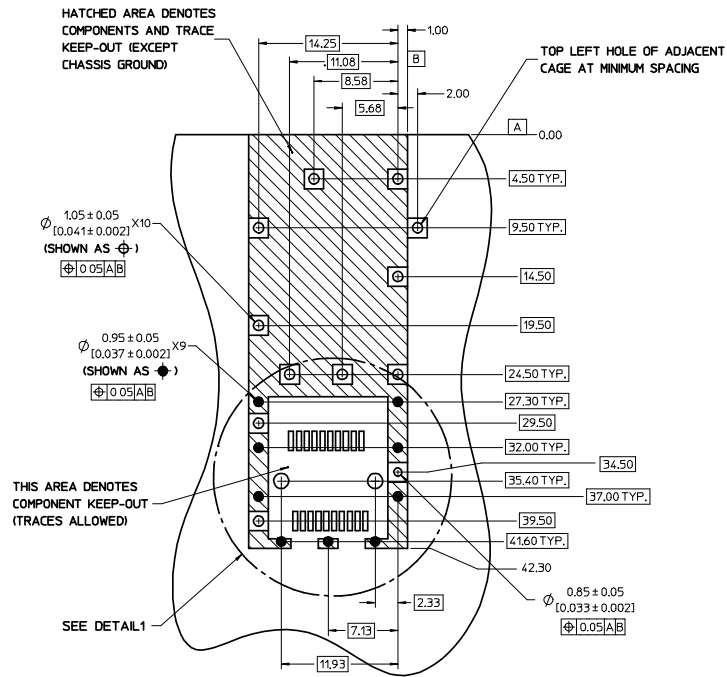


NOTES:

1. MATERIAL:
CAGE: NICKEL PLATED COPPER ALLOY, THICKNESS 0.25mm
SPRING FINGER: NICKEL PLATED COPPER ALLOY, THICKNESS 0.10mm
2. PRESS FIT LEGS 3.60 LONG -
1.57 MINIMUM PCB THICKNESS FOR SINGLE SIDED USE
INSERTION FORCE INTO PCB <50 LBS
3. PORTS ARE DESIGNED FOR SFP+ TRANSCEIVERS AND ARE BACKWARDS COMPATIBLE WITH SFP TRANSCEIVERS
4. THIS PART MEETS THE RESTRICTION OF HAZARDOUS SUBSTANCES IN ELECTRICAL AND ELECTRONIC EQUIPMENT (ROHS) DIRECTIVE (2002/95/EC)

REVISED EEC NO. USY2008-0491 DRAWN: LERMIN 2008/07/10 CHKD: KELLOYD 2008/07/10 APPR: K. JANOTA 2008/07/22	QUALITY SYMBOLS	GENERAL TOLERANCES (UNLESS SPECIFIED)	DIMENSION STYLE	SCALE	DESIGN UNITS	THIRD ANGLE PROJECTION
	▼=0 ▽=0	mm INCH 4 PLACES ± --- ± --- 3 PLACES ± --- ± --- 2 PLACES ± 0.15 ± --- 1 PLACE ± 0.25 ± --- ANGULAR ± 1°	MM ONLY	4:1	METRIC	DRAWN BY DATE PSYTSMA 2007/05/24 CHECKED BY DATE BRUSSELL 2007/05/24 APPROVED BY DATE BRUSSELL 2007/05/24
	DRAFT WHERE APPLICABLE MUST REMAIN WITHIN DIMENSIONS	MATERIAL NO. 747540106	MOLEX INCORPORATED	DOCUMENT NO. SD-74754-0106	SHEET NO. 1 OF 3	
	THIS DRAWING CONTAINS INFORMATION THAT IS PROPRIETARY TO MOLEX INCORPORATED AND SHOULD NOT BE USED WITHOUT WRITTEN PERMISSION					

PCB LAYOUT FOR SINGLE SIDE MOUNT



NOTES:

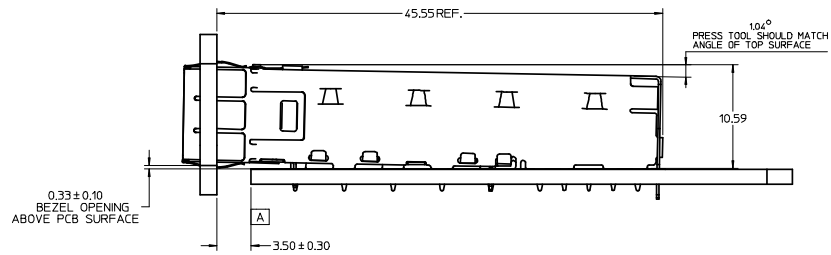
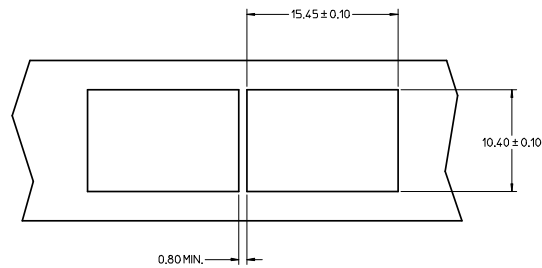
1. PADS AND VIAS CONNECT TO CHASSIS GROUND (RECOMMEND PADS TO BE 2.00mm SQUARE)
2. RECOMMENDED THRU HOLE PLATING INCLUDES HASL, OSP, OR IMMERSION (GOLD, SILVER, OR TIN).
3. CONNECTOR PAD LAYOUT PER SFP+ MSA WILL ACCOMMODATE MOLEX CONNECTOR SERIES 74441 OR EQUIVALENT.

REVISED EC NO: USY2006-0491 DRAWN: ERWIN 2008/07/10 CHKD: KLOYD 2008/07/10 APPR: K JANOTA 2008/07/22	QUALITY SYMBOLS $\nabla=0$ $\nabla=0$	GENERAL TOLERANCES (UNLESS SPECIFIED) <table border="1"> <thead> <tr> <th></th> <th>mm</th> <th>INCH</th> </tr> </thead> <tbody> <tr> <td>4 PLACES</td> <td>±---</td> <td>±---</td> </tr> <tr> <td>3 PLACES</td> <td>±---</td> <td>±---</td> </tr> <tr> <td>2 PLACES</td> <td>±0.15</td> <td>±---</td> </tr> <tr> <td>1 PLACE</td> <td>±0.25</td> <td>±---</td> </tr> </tbody> </table> ANGULAR $\pm 1^\circ$		mm	INCH	4 PLACES	±---	±---	3 PLACES	±---	±---	2 PLACES	±0.15	±---	1 PLACE	±0.25	±---	DIMENSION STYLE MM ONLY	SCALE 4:1	DESIGN UNITS METRIC	THIRD ANGLE PROJECTION
		mm	INCH																		
4 PLACES	±---	±---																			
3 PLACES	±---	±---																			
2 PLACES	±0.15	±---																			
1 PLACE	±0.25	±---																			
DRAWN BY: PSYTSMA CHECKED BY: BRUSSELL APPROVED BY: BRUSSELL	DATE: 2007/05/24 DATE: 2007/05/24 DATE: 2007/05/24	TITLE SFP+ 1X1 PCI CAGE W/SPRING FINGERS SOLDER POST	MATERIAL NO. 747540106	DOCUMENT NO. SD-74754-0106	MOLEX INCORPORATED	SHEET NO. 2 OF 3															

DRAFT WHERE APPLICABLE MUST REMAIN WITHIN DIMENSIONS

THIS DRAWING CONTAINS INFORMATION THAT IS PROPRIETARY TO MOLEX INCORPORATED AND SHOULD NOT BE USED WITHOUT WRITTEN PERMISSION

BEZEL AND BOARD POSITION DIMENSIONS FOR SINGLE SIDE MOUNTING
(SPRING FINGER)



REVISED EEC NO: USY2008-0491 DRAWN: LERMIN 2008/07/10 CHKD: K LLOYD 2008/07/10 APPR: K JANOTA 2008/07/22	QUALITY SYMBOLS	GENERAL TOLERANCES (UNLESS SPECIFIED)	DIMENSION STYLE	SCALE	DESIGN UNITS	THIRD ANGLE PROJECTION
	▼=0 ▽=0	mm INCH 4 PLACES ± --- ± --- 3 PLACES ± --- ± --- 2 PLACES ± 0.15 ± --- 1 PLACE ± 0.25 ± --- ANGULAR ± 1°	MM ONLY	4:1	METRIC	DRAWN BY DATE PSYTSMA 2007/05/24 CHECKED BY DATE BRUSSELL 2007/05/24 APPROVED BY DATE BRUSSELL 2007/05/24
	DESCRIPTION	DRAFT WHERE APPLICABLE MUST REMAIN WITHIN DIMENSIONS	MATERIAL NO.	DOCUMENT NO.	SFP+ 1X1 PCI CAGE W/SPRING FINGERS SOLDER POST MOLEX INCORPORATED	
		SIZE D	747540106	SD-74754-0106	SHEET NO. 3 OF 3	