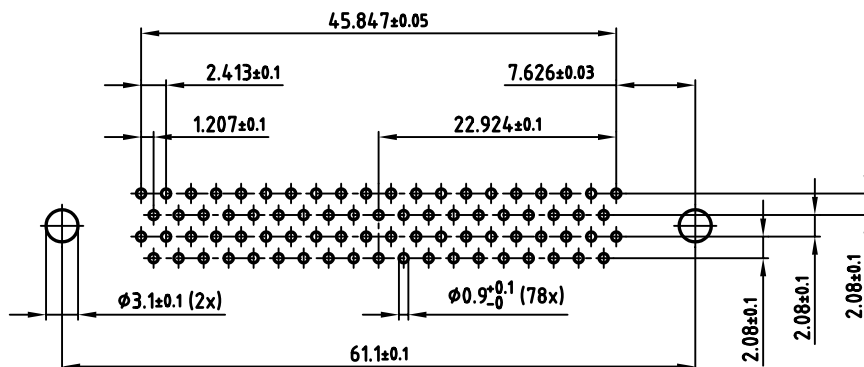
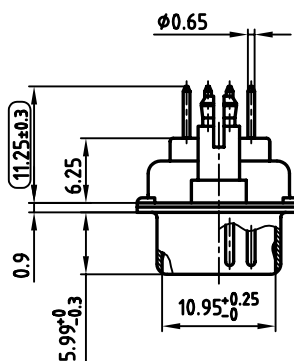
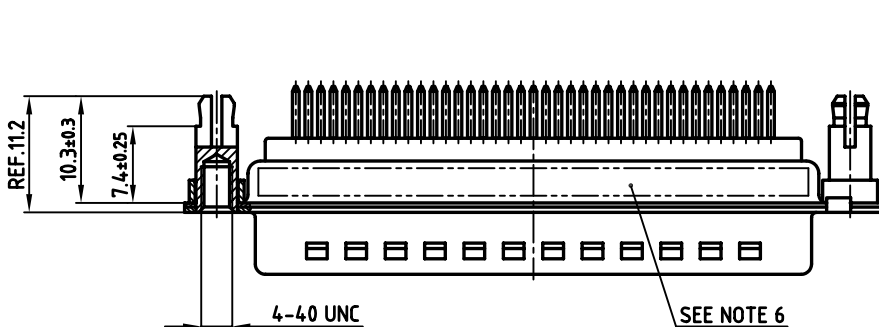
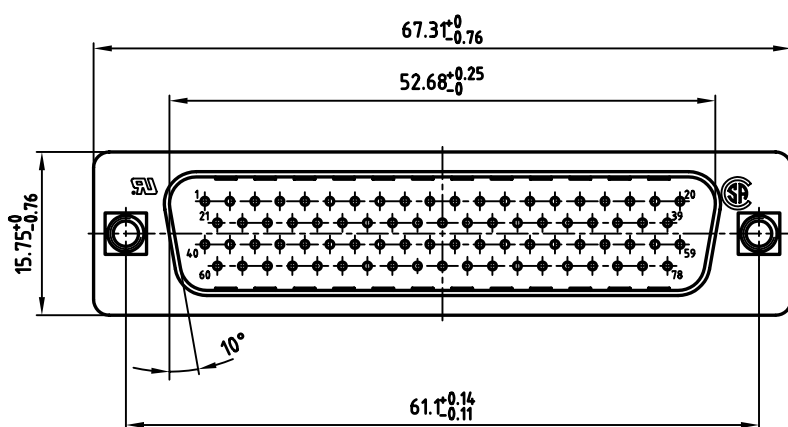


used for: D-SUB HD



P.C.B. HOLE DRILLINGS



NOTES:

1. METALSHELLS: STEEL; min. 320µ" TIN
2. INSULATORS: PBT GF UL 94 V-0, BLACK
3. CONTACTS: COPPER ALLOY
PLATING: min. 8µ" HARD GOLD OVER min. 50µ" NICKEL
4. THREADED SPACER CLIP: COPPER ALLOY; min. 200µ" TIN over 80µ" NICKEL
PCB-HOLE: Ø3.1±0.1; PCB THICKNESS 1.6mm
5. MAXIMUM TORQUE VALUE FOR THREAD: 6" LBS
6. CONNECTOR IS PART MARKED: [163A16989X CONEC ABC]
7. = CHECK DIMENSION

Directive 2002/95/EC
RoHS
Compliant

APPROVAL # FREIGABE # DEBLOCAGE # AUTORIZACION # APPROVAL	
CUSTOMER APPROVAL DATE:	
NAME:	TITLE:
COMPANY NAME:	
APPROVAL # FREIGABE # DEBLOCAGE # AUTORIZACION # APPROVAL	

THIS DRAWING MAY NOT BE COPIED OR REPRODUCED IN ANY WAY, AND MAY NOT BE PASSED ON TO A THIRD PARTY, WITHOUT WRITTEN PERMISSION. OWNERSHIP AND COPYRIGHT OF CONEC GmbH DO NOT ALTER CAD DRAWING BY HAND

rev.	description	date	name

tolerance			scale: 2:1	
dim. in mm			material: SEE NOTES	
2004	date	name	title: D-SUB HD MALE 78pos. Solder pin straight with threaded spacer clip	
drawn	07.05.	Schmidt		
appd.	07.05.	Mickenbecker		
norm	DIN 41652			
d-old			dwg no: AutoCAD 2004	
			DIN-A	
			3	
part no: 163A16989X			sh: 1/1	

dwg no: AutoCAD 2004		DIN-A
16K1A1153		3
part no: 163A16989X		sh: 1/1