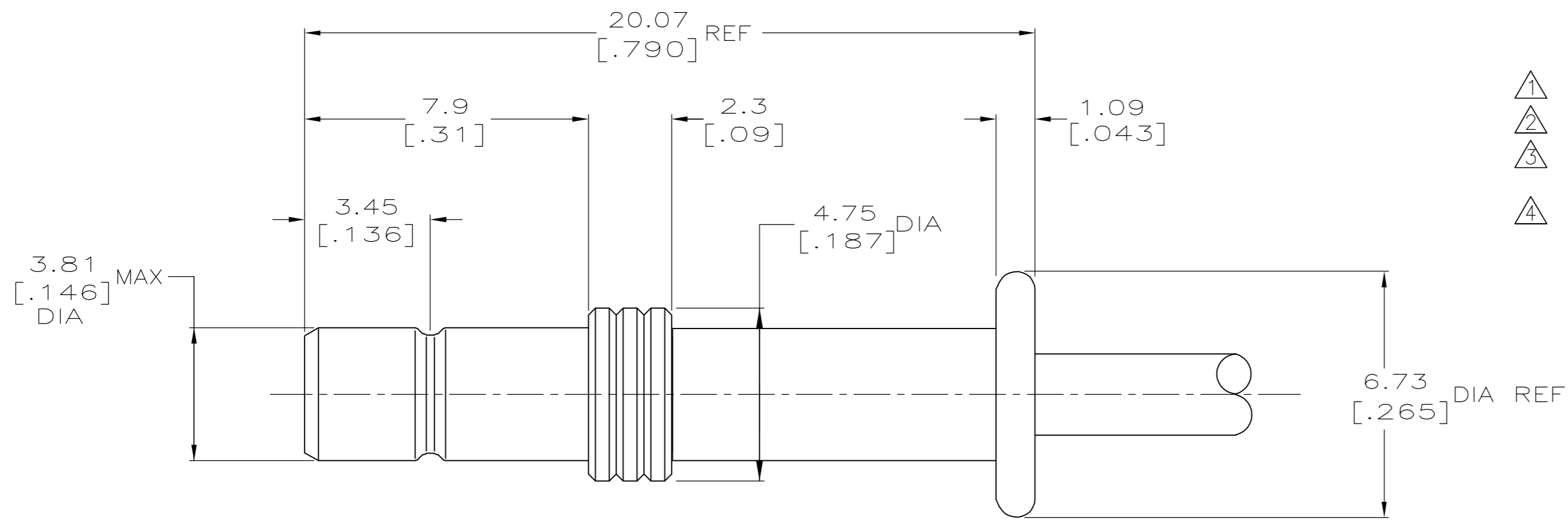
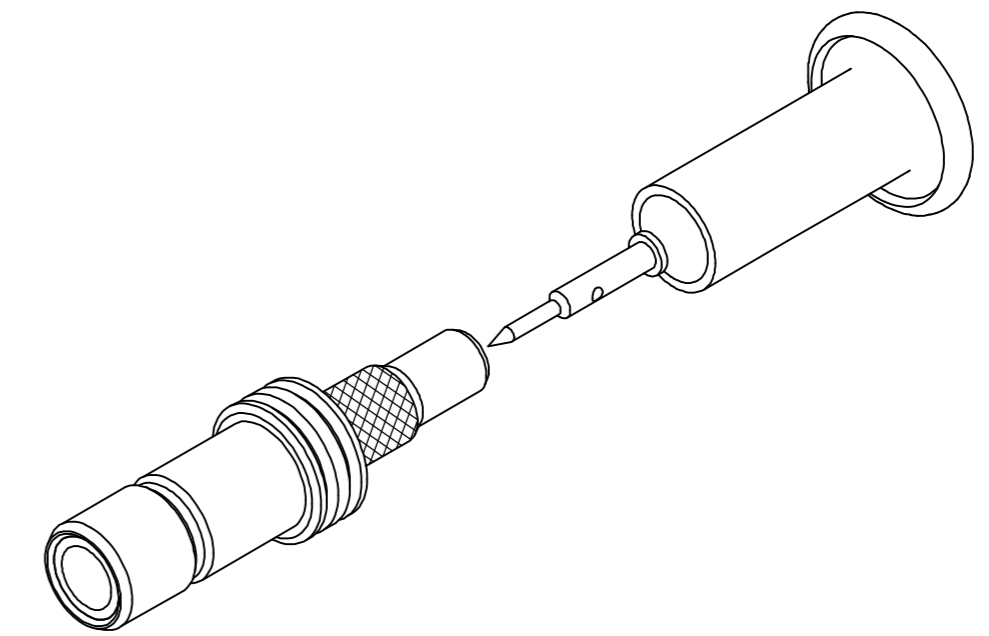


THIS DRAWING IS UNPUBLISHED. RELEASED FOR PUBLICATION
 © COPYRIGHT BY TYCO ELECTRONICS CORPORATION. ALL RIGHTS RESERVED.

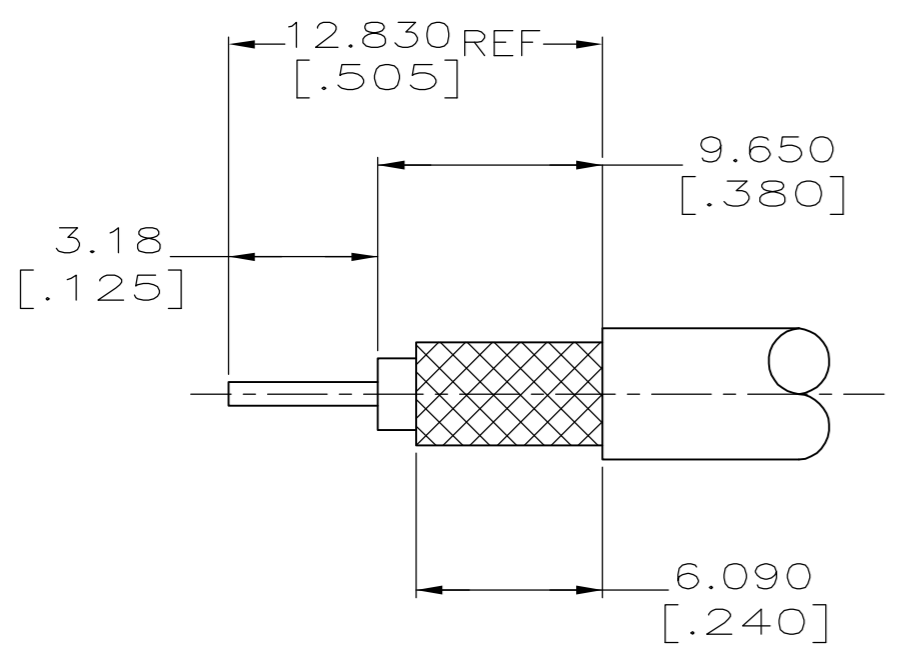
LOC		DIST		REVISIONS			
P	LTR	DESCRIPTION		DATE	DWN	APVD	
		0		REV PER EC-0S14-0496-04	31JAN2005	GA JGH	



- ① FOR USE WITH HAND TOOL 220190-1
- ② USE WITH MILITARY HAND TOOL M22520/5-01
- ③ USE WITH MILITARY HAND TOOL M22520/2-01 (DANIELS AFMB) WITH DANIELS POSITIONER K727
- ④ SPECIAL XEROX STYLE 1275 CABLE, RG-178/U, -178A/U, -178B/U, -196/U AND -196A/U CABLES.



ISOMETRIC VIEW



RECOMMENDED STRIP LENGTH
SCALE :NTS

④	SET AT NO 4 POSITION	Y444	58046-1 (AREA A)	5414170-2
	RG-174/U, 188/U & 316/U	Y444	58046-1 (AREA A)	5414170-1
	FOR USE WITH CABLE	DANIELS POSITIONER CONTACT CRIMP ③	DANIELS DIE SET BRAID CRIMP ②	AMP DIE SET ① PART NUMBER

THIS DRAWING IS A CONTROLLED DOCUMENT.		DWN G. ATTADIA - DOCK5 31JAN2005	Tyco Electronics Corporation	
DIMENSIONS: INCHES		CHK J. HAVENER 31JAN2005	Harrisburg, PA 17105-3608	
TOLERANCES UNLESS OTHERWISE SPECIFIED:		APVD J. HAVENER 31JAN2005	NAME	
0 PLC ± -		PRODUCT SPEC	CONNECTOR, JACK, SERIES SMB	
1 PLC ± -		APPLICATION SPEC	-	
2 PLC ± .010		WEIGHT -	SIZE A2	CAGE CODE 00779
3 PLC ± .005		CUSTOMER DRAWING	DRAWING NO C=5414170	RESTRICTED TO -
4 PLC ± -		SCALE 8:1	SHEET 1 OF 1	REV 0
ANGLES ± 1°				
FINISH -				

5414170