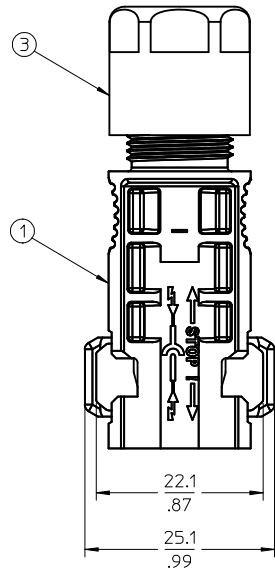
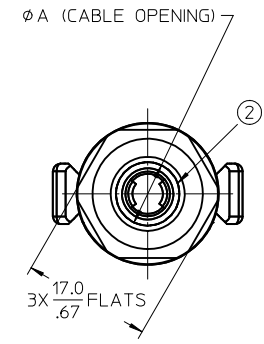
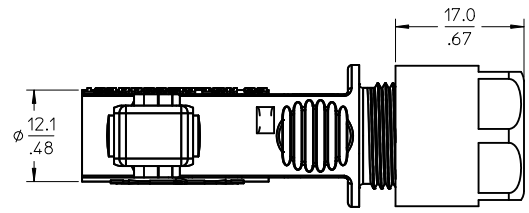
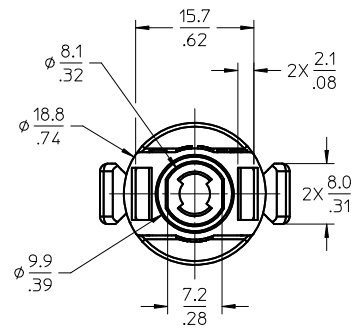
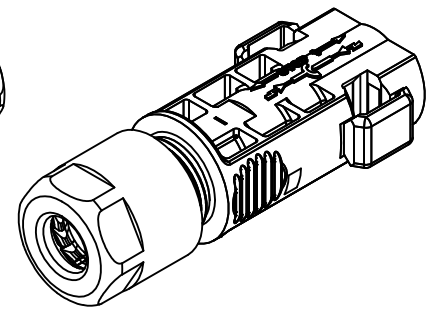
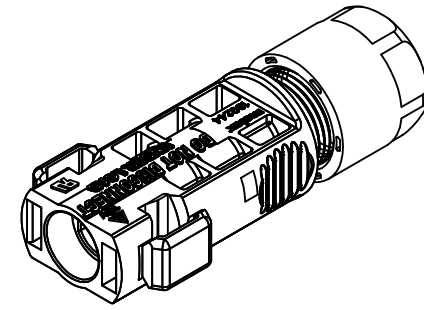
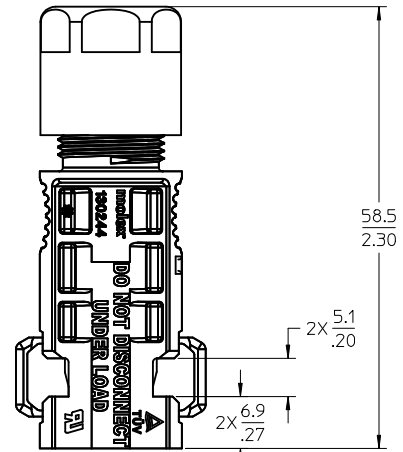


1302440204	2.5 mm ² / 14 AWG	5.8-6.7 / .23-.26	7.0 / .28
1302440202	4.0-6.0 mm ² / 12-10 AWG	6.7-7.8 / .26-.31	8.4 / .33
MATERIAL NO.	CABLE SIZE	CABLE Ø RANGE	DIM. "A"



(OPPOSITE SIDE)



NOTES:

1. MATERIALS: SEE TABLE
2. FINISHES: SEE TABLE
3. PRODUCT SPECIFICATION: PS-130244-001
4. PACKAGING SPECIFICATION: PK-130244-002
5. USE SOLARSPEC TERMINAL SERIES 130196
6. MATES WITH: 1302440201 OR 1302440203
7. ASSEMBLY IS ROHS COMPLIANT.

3	1	CABLE RETENTION NUT	POLYCARBONATE (PC)	BLACK
2	1	CABLE GROMMET	SILICONE	TRANSLUCENT
1	1	PIN HOUSING	POLYCARBONATE (PC)	BLACK
ITEM	QTY	DESCRIPTION	MATERIAL	FINISH

RELEASED	2011/05/12
EC NO: IPGZ2012-0291	
DRWNR:RUPERT	
CHKD:	
APPR:DTITUS	2012/02/24
REV	DESCRIPTION
A	

QUALITY SYMBOLS	GENERAL TOLERANCES (UNLESS SPECIFIED)
▽=0	
▽=0	
	ANGULAR ± 2°
	DRAFT WHERE APPLICABLE MUST REMAIN WITHIN DIMENSIONS

DIMENSION STYLE	SCALE	DESIGN UNITS	THIRD ANGLE PROJECTION
MM/IN	2:1	METRIC	
DRAWN BY	DATE	TITLE	
CLYORK	2010/03/17	PIN ASSEMBLY, PV SOLAR DC CONNECTOR, 14-10 AWG	
CHECKED BY	DATE	APPROVED BY	
DTITUS	2010/03/17	DATE	
		DTITUS 2010/10/28	
MATERIAL NO.	DOCUMENT NO.	SHEET NO.	
SEE CHART	SD-130244-002	1 OF 1	
SIZE	THIS DRAWING CONTAINS INFORMATION THAT IS PROPRIETARY TO MOLEX INCORPORATED AND SHOULD NOT BE USED WITHOUT WRITTEN PERMISSION		
C			

MOLEX INCORPORATED	
SD-130244-002	
1 OF 1	