

4

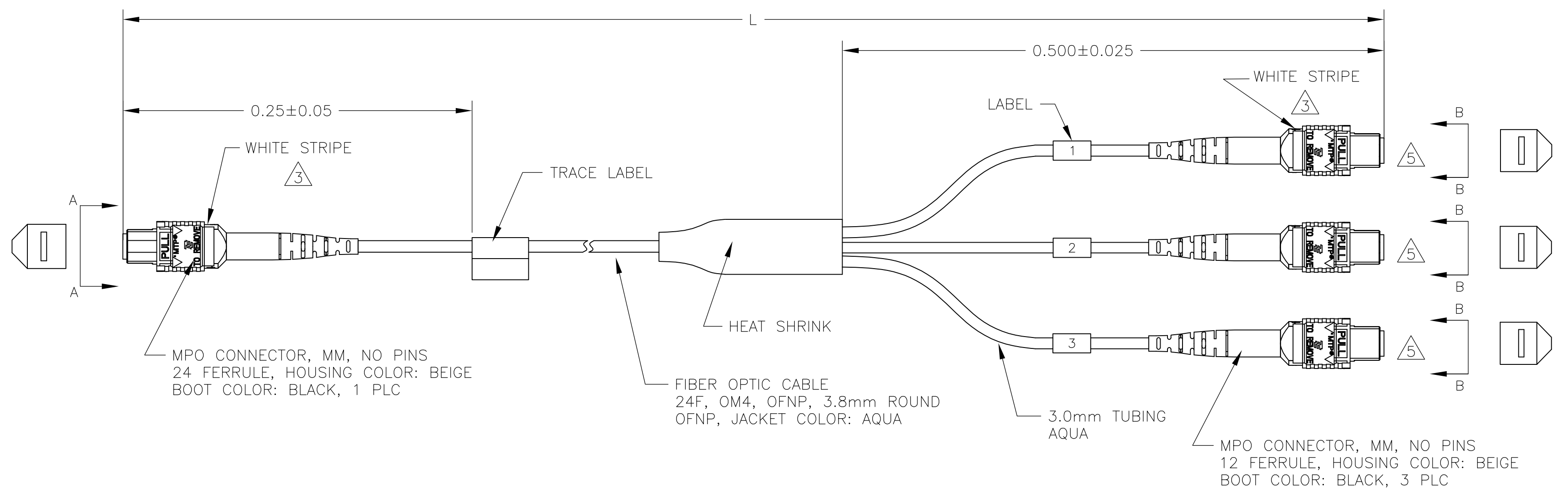
3

2

1

THIS DRAWING IS UNPUBLISHED. RELEASED FOR PUBLICATION
 © COPYRIGHT - By - ALL RIGHTS RESERVED.

| LOC | DIST | REVISIONS | | | |
|-----|------|-------------|-------------|---------|-------|
| P | LTR | DESCRIPTION | DATE | DWN | APVD |
| HG | 17 | A | NEW RELEASE | 14JUN12 | SW RZ |



MPO CONNECTOR, MM, NO PINS
 24 FERRULE, HOUSING COLOR: BEIGE
 BOOT COLOR: BLACK, 1 PLC

FIBER OPTIC CABLE
 24F, OM4, OFNP, 3.8mm ROUND
 OFNP, JACKET COLOR: AQUA

MPO CONNECTOR, MM, NO PINS
 12 FERRULE, HOUSING COLOR: BEIGE
 BOOT COLOR: BLACK, 3 PLC

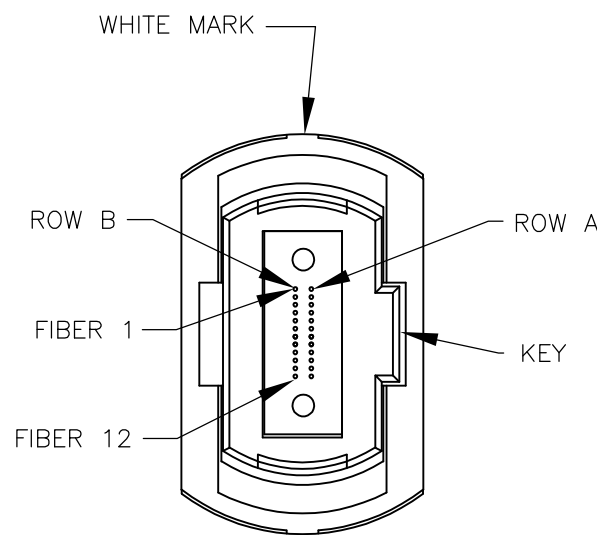
| | | | | |
|---|--|---------------------------------|---|--|
| THIS DRAWING IS A CONTROLLED DOCUMENT. | | DWN SIMON WU 14JUN12 | STE TE Connectivity | |
| DIMENSIONS: METERS | | CHK KIM ZHANG 14JUN12 | | |
| TOLERANCES, UNLESS OTHERWISE SPECIFIED: | | APVD RICHARD ZHAO 14JUN12 | NAME CABLE ASSEMBLY, CXP MPO - (3) QSFP MPO 24F OM4 3.8mm ROUND CABLE | |
| 0 PLC ± - | | PRODUCT SPEC | SIZE CAGE CODE DRAWING NO RESTRICTED TO | |
| 1 PLC ± - | | APPLICATION SPEC | A2 00779 C-2148445 - | |
| 2 PLC ± - | | WEIGHT | SCALE NTS SHEET 1 OF 2 REV A | |
| 3 PLC ± - | | CUSTOMER DRAWING | | |
| 4 PLC ± - | | | | |
| ANGLES ± - | | | | |
| FINISH | | | | |

2148445

THIS DRAWING IS UNPUBLISHED. RELEASED FOR PUBLICATION
 © COPYRIGHT - By - ALL RIGHTS RESERVED.

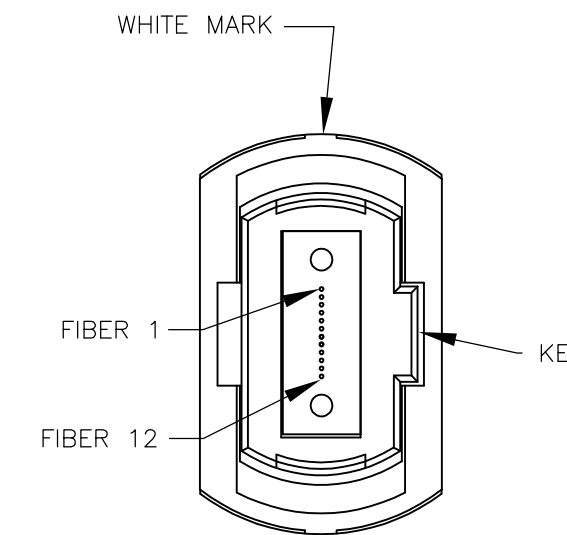
| LOC | DIST | REVISIONS | | | |
|-----|------|-------------|------|-----|------|
| P | LTR | DESCRIPTION | DATE | DWN | APVD |
| HG | 17 | SEE SHEET 1 | - | - | - |

| PART NUMBER | L | | MPO MAX IL (dB) $\triangle 1$ |
|-------------|---------|--------|----------------------------------|
| | MAX | MIN | |
| 2148445-1 | 1.050 | 0.950 | 1.00 |
| 2148445-2 | 2.050 | 1.950 | 1.01 |
| 2148445-3 | 3.050 | 2.950 | 1.01 |
| 2148445-4 | 4.080 | 3.920 | 1.01 |
| 2148445-5 | 5.080 | 4.920 | 1.02 |
| 2148445-6 | 6.080 | 5.920 | 1.02 |
| 2148445-7 | 7.080 | 6.920 | 1.02 |
| 2148445-8 | 8.080 | 7.920 | 1.03 |
| 2148445-9 | 9.150 | 8.850 | 1.03 |
| 1-2148445-0 | 10.150 | 9.850 | 1.04 |
| 1-2148445-1 | 11.150 | 10.850 | 1.04 |
| 1-2148445-2 | 12.150 | 11.850 | 1.04 |
| 1-2148445-3 | 13.150 | 12.850 | 1.05 |
| 1-2148445-4 | 14.150 | 13.850 | 1.05 |
| 1-2148445-5 | 15.150 | 14.850 | 1.05 |
| 1-2148445-6 | 16.160 | 15.840 | 1.06 |
| 1-2148445-7 | 17.170 | 16.830 | 1.06 |
| 1-2148445-8 | 18.180 | 17.820 | 1.06 |
| 1-2148445-9 | 19.190 | 18.810 | 1.07 |
| 2-2148445-0 | 20.200 | 19.800 | 1.07 |
| 2-2148445-1 | 21.210 | 20.790 | 1.07 |
| 2-2148445-2 | 22.220 | 21.780 | 1.08 |
| 2-2148445-3 | 23.230 | 22.770 | 1.08 |
| 2-2148445-4 | 24.240 | 23.760 | 1.08 |
| 2-2148445-5 | 25.250 | 24.750 | 1.09 |
| 2-2148445-6 | 26.260 | 25.740 | 1.09 |
| 2-2148445-7 | 27.270 | 26.730 | 1.09 |
| 2-2148445-8 | 28.280 | 27.720 | 1.10 |
| 2-2148445-9 | 29.290 | 28.710 | 1.10 |
| 3-2148445-0 | 30.300 | 29.700 | 1.11 |
| 3-2148445-1 | 31.310 | 30.690 | 1.11 |
| 3-2148445-2 | 32.320 | 31.680 | 1.11 |
| 3-2148445-3 | 33.330 | 32.670 | 1.12 |
| 3-2148445-4 | 34.340 | 33.660 | 1.12 |
| 3-2148445-5 | 35.350 | 34.650 | 1.12 |
| 3-2148445-6 | 36.360 | 35.640 | 1.13 |
| 3-2148445-7 | 37.370 | 36.630 | 1.13 |
| 3-2148445-8 | 38.380 | 37.620 | 1.13 |
| 3-2148445-9 | 39.390 | 38.610 | 1.14 |
| 4-2148445-0 | 40.400 | 39.600 | 1.14 |
| 4-2148445-1 | 41.410 | 40.590 | 1.14 |
| 4-2148445-2 | 42.420 | 41.580 | 1.15 |
| 4-2148445-3 | 43.430 | 42.570 | 1.15 |
| 4-2148445-4 | 44.440 | 43.560 | 1.15 |
| 4-2148445-5 | 45.450 | 44.550 | 1.16 |
| 4-2148445-6 | 46.460 | 45.540 | 1.16 |
| 4-2148445-7 | 47.470 | 46.530 | 1.16 |
| 4-2148445-8 | 48.480 | 47.520 | 1.17 |
| 4-2148445-9 | 49.490 | 48.510 | 1.17 |
| 5-2148445-0 | 50.500 | 49.500 | 1.18 |
| 5-2148445-5 | 55.550 | 54.450 | 1.19 |
| 6-2148445-0 | 60.600 | 59.400 | 1.21 |
| 6-2148445-5 | 65.650 | 64.350 | 1.23 |
| 7-2148445-0 | 70.700 | 69.300 | 1.25 |
| 7-2148445-5 | 75.750 | 74.250 | 1.26 |
| 8-2148445-0 | 80.800 | 79.200 | 1.28 |
| 8-2148445-5 | 86.000 | 84.000 | 1.30 |
| 9-2148445-0 | 91.350 | 88.650 | 1.32 |
| 9-2148445-5 | 96.425 | 94.575 | 1.33 |
| 9-2148445-9 | 101.500 | 98.500 | 1.35 |



VIEW A-A
NOT TO SCALE

| 24F MPO ROW | FIBER | FIBER COLOR | 12F MPO $\triangle 5$ | |
|-------------|-------|-------------|-----------------------|-------|
| A | 1 | BLUE | 12 | MPO 1 |
| A | 2 | ORANGE | 11 | |
| A | 3 | GREEN | 10 | |
| A | 4 | BROWN | 9 | |
| B | 1 | BLUE | 1 | MPO 2 |
| B | 2 | ORANGE | 2 | |
| B | 3 | GREEN | 3 | |
| B | 4 | BROWN | 4 | |
| A | 5 | SLATE | 12 | MPO 3 |
| A | 6 | WHITE | 11 | |
| A | 7 | RED | 10 | |
| A | 8 | BLACK | 9 | |
| B | 5 | SLATE | 1 | |
| B | 6 | WHITE | 2 | |
| B | 7 | RED | 3 | |
| B | 8 | BLACK | 4 | |
| A | 9 | YELLOW | 12 | |
| A | 10 | VIOLET | 11 | |
| A | 11 | ROSE | 10 | |
| A | 12 | AQUA | 9 | |
| B | 9 | YELLOW | 1 | |
| B | 10 | VIOLET | 2 | |
| B | 11 | ROSE | 3 | |
| B | 12 | AQUA | 4 | |



VIEW B-B
NOT TO SCALE

MPO CONNECTOR FIBER PATH

- $\triangle 1$ SEE TABLE FOR MPO IL @ 850nm
- 2. PLACE A COPY OF TEST DATA INSIDE OR WITH THE UNIT PACKAGE.
- $\triangle 3$ WHITE MARK ON CONNECTOR HOUSING INDICATES FIBER 1 SIDE.
- 4. PRODUCT AND PROCESSING MUST MEET REQUIREMENTS OF TE CONNECTIVITY STANDARD TEC-138-702.
- $\triangle 5$ KEEP FIBER #5-#8 NULL IN 12F MPO CONNECTOR.

| | | | | |
|---|--|---------------------------------|--|-------------------------|
| THIS DRAWING IS A CONTROLLED DOCUMENT. | | DWN SIMON WU 14JUN12 | | |
| DIMENSIONS: METERS | | CHK KIM ZHANG 14JUN12 | | |
| TOLERANCES UNLESS OTHERWISE SPECIFIED: | | APVD RICHARD ZHAO 14JUN12 | NAME CABLE ASSEMBLY, CXP MPO - (3) QSFP MPO 24F OM4 3.8mm ROUND CABLE | |
| 0 PLC ± - 1 PLC ± - 2 PLC ± - 3 PLC ± - 4 PLC ± - ANGLES ± - | | PRODUCT SPEC - | SIZE A2 | CAGE CODE 00779 |
| MATERIAL - | | FINISH - | WEIGHT - | DRAWING NO C=2148445 |
| CUSTOMER DRAWING | | | SCALE NTS | SHEET 2 OF 2 |
| | | | | RESTRICTED TO - |
| | | | | REV A |

2148445

B

A