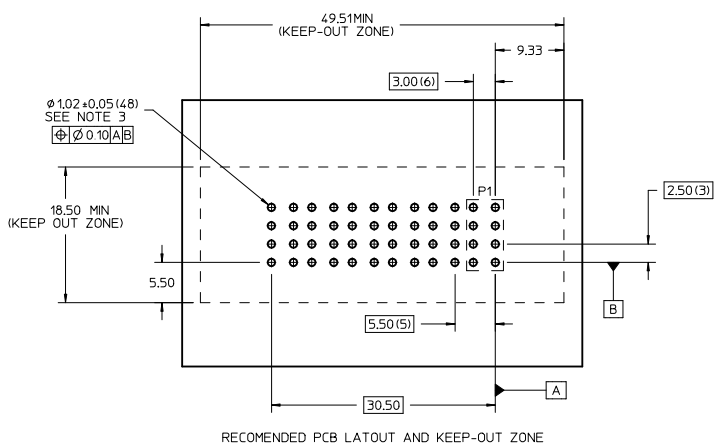
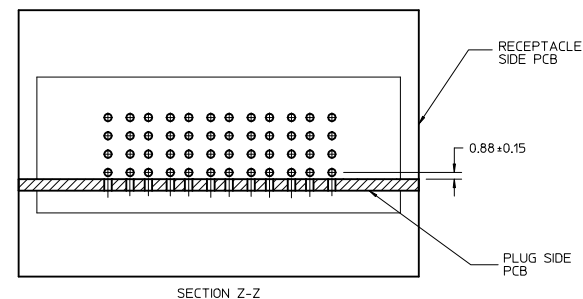
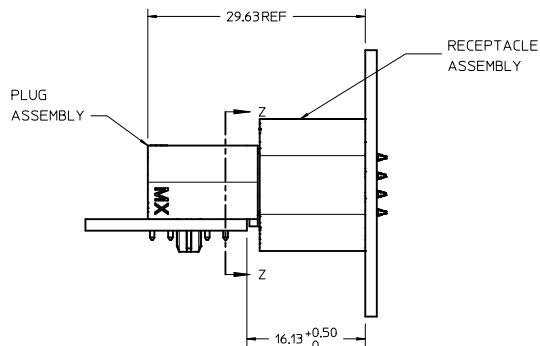
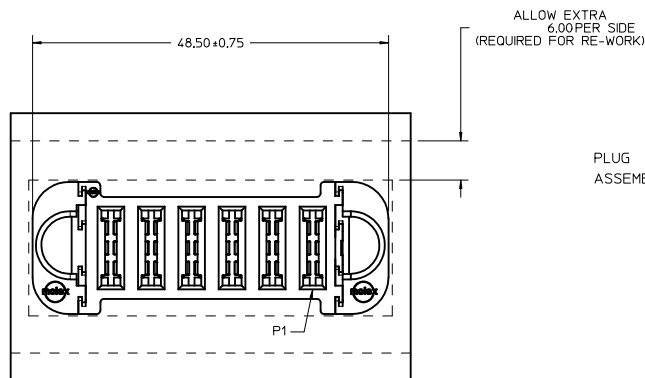
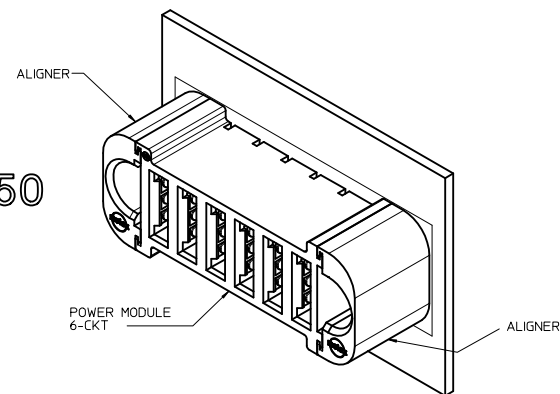


P/N: 46562-1150

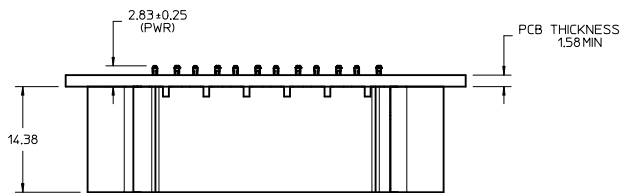


RECOMMENDED PCB LAYOUT AND KEEP-OUT ZONE

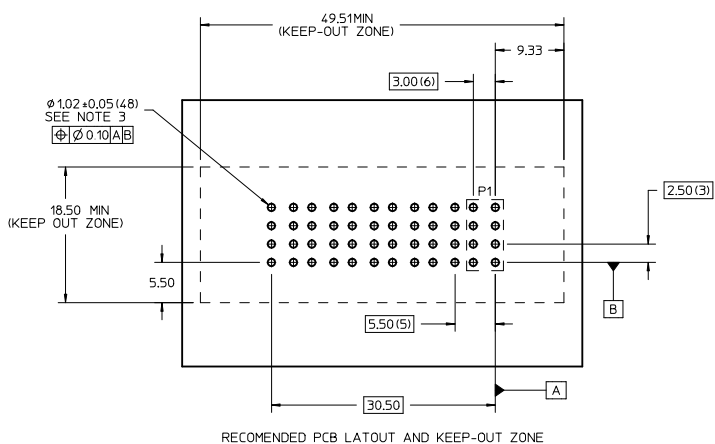
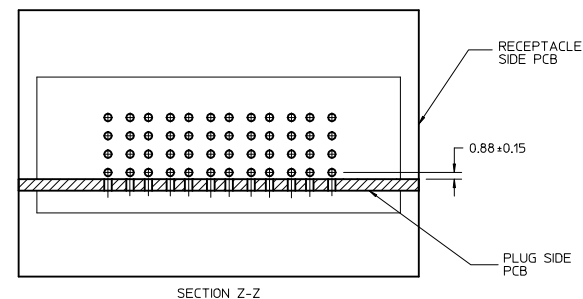
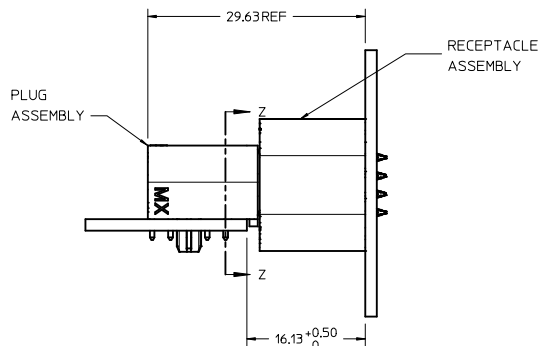
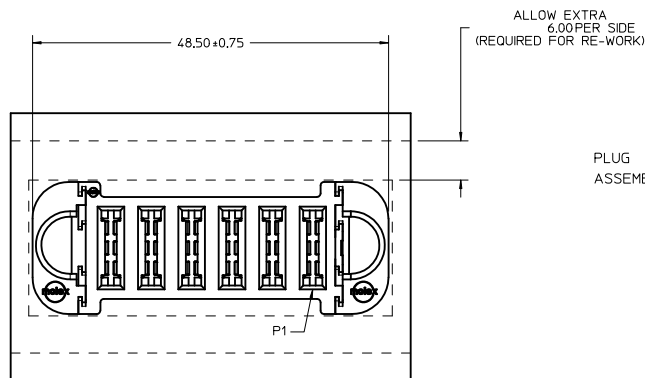
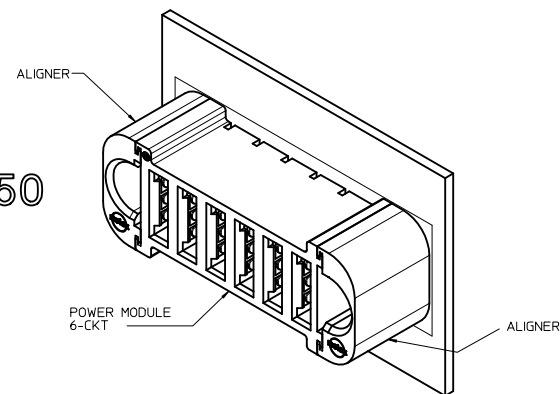
NOTES:

1. MATERIAL:
 - HOUSINGS: LCP UL94 V-0, COLOR: BLACK.
 - TERMINALS: COPPER ALLOY.
 - PLATING: 0.000127 NICKEL OVERALL WITH 0.00254 SELECTIVE MATTE TIN ON COMPLIANT PINS. AND 0.000762 SELECTIVE GOLD ON CONTACT AREA.
2. PACKAGING ASSEMBLIES TO BE TRAY PACKED, STD. QUANTITY: TBD.
3. PC BOARD REQUIRES THRU HOLES. REFER TO PS-46436-100 FOR DETAILS.
4. PRODUCT SPEC.: PS-46436-100.
5. APPLICATION SPEC.: AS-46436-100.
6. SEE PRODUCT SPEC FOR MEET RoHS REQUIREMENTS.
7. ASSEMBLY MATES WITH MOLEX PLUG ASSEMBLY, P/N 46437-1150.

RELEASE IEC NO. UCP2011-0190 DRAWN: TMPATIL 2010/08/11 CHECKED: BKOSTIC 2010/08/11 APPR: APATEL 2010/10/13	QUALITY SYMBOLS	GENERAL TOLERANCES (UNLESS SPECIFIED)	DIMENSION STYLE MM ONLY	SCALE 3:1	DESIGN UNITS METRIC	THIRD ANGLE PROJECTION
	▽=0	4 PLACES ±---	mm	DRAWN BY TMPATIL	DATE 2010/08/11	TITLE VERT RECEPTACLE ASSY 6DC, PRESS-FIT TEN60 POWER FAMILY
	▽=0	3 PLACES ±---	INCH	CHECKED BY BKOSTIC	DATE 2010/08/11	MOLEX INCORPORATED MATERIAL NO. 46562-1150 DOCUMENT NO. SD-46562-1150
	▽=0	2 PLACES ±0.25		APPROVED BY APATEL	DATE 2010/10/13	
DRAFT WHERE APPLICABLE MUST REMAIN WITHIN DIMENSIONS		ANGULAR ±1/2°	THIS DRAWING CONTAINS INFORMATION THAT IS PROPRIETARY TO MOLEX INCORPORATED AND SHOULD NOT BE USED WITHOUT WRITTEN PERMISSION			



P/N: 46562-1150



RECOMMENDED PCB LAYOUT AND KEEP-OUT ZONE

NOTES:

1. MATERIAL:
 - HOUSINGS: LCP UL94 V-0, COLOR: BLACK.
 - TERMINALS: COPPER ALLOY.
 - PLATING: 0.000127 NICKEL OVERALL WITH 0.00254 SELECTIVE MATTE TIN ON COMPLIANT PINS. AND 0.000762 SELECTIVE GOLD ON CONTACT AREA.
2. PACKAGING ASSEMBLIES TO BE TRAY PACKED, STD. QUANTITY: TBD.
3. PC BOARD REQUIRES THRU HOLES. REFER TO PS-46436-100 FOR DETAILS.
4. PRODUCT SPEC.: PS-46436-100.
5. APPLICATION SPEC: AS-46436-100.
6. SEE PRODUCT SPEC FOR MEET RoHS REQUIREMENTS.
7. ASSEMBLY MATES WITH MOLEX PLUG ASSEMBLY, P/N 46437-1150.

RELEASE IEC NO. UCP2011-0190 DRAWN: TMPATIL 2010/08/11 CHECKED: BKOSTIC 2010/08/11 APPR: APATEL 2010/10/13	QUALITY SYMBOLS	GENERAL TOLERANCES (UNLESS SPECIFIED)	DIMENSION STYLE	SCALE	DESIGN UNITS	THIRD ANGLE PROJECTION
	▽=0	mm INCH	MM ONLY	3:1	METRIC	☉
	▽=0	4 PLACES ±--- ±---	DRAWN BY DATE			
	▽=0	3 PLACES ±--- ±---	CHKD BY DATE			
		2 PLACES ±0.25 ±---	APATEL 2010/10/13			
		1 PLACE ±0.25 ±---				
		ANGULAR ±1/2°				
		DRAFT WHERE APPLICABLE MUST REMAIN WITHIN DIMENSIONS	MATERIAL NO.	DOCUMENT NO.	TITLE	
			46562-1150	SD-46562-1150	VERT RECEPTACLE ASSY 6DC, PRESS-FIT TEN60 POWER FAMILY	
			SIZE D		MOLEX INCORPORATED	
					SHEET NO. 1 OF 1	