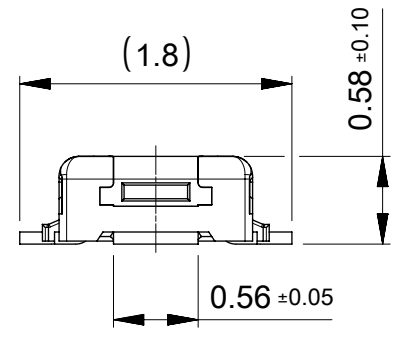
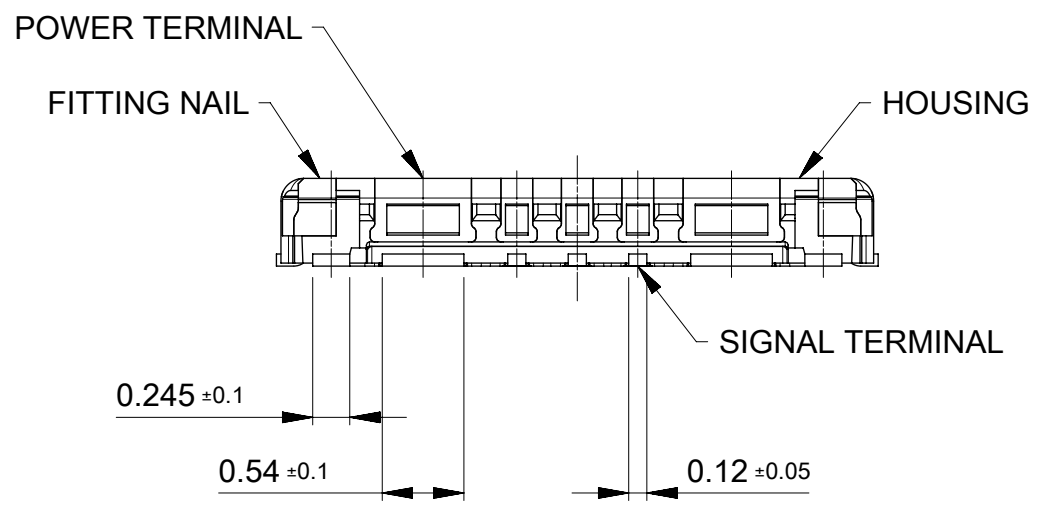


Lot No. with Laser(Month Day)

Month	JAN-SEP	OCT	NOV	DEC
Marking	1-9	A	B	C

C01A
 MACHINE NO.
 DAY(1~31)
 MONTH

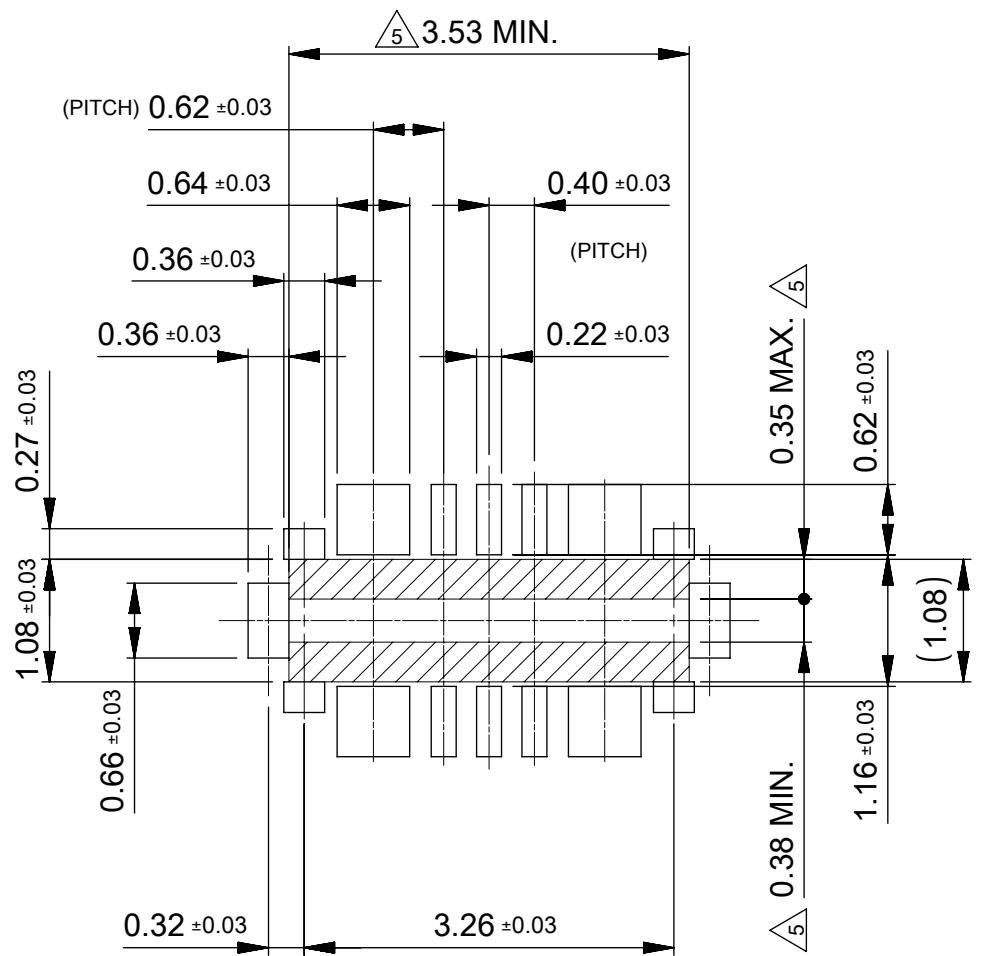


NOTES

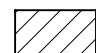
- MATERIAL
 HOUSING : LIQUID CRYSTAL POLIMER UL94V-0 (COLOR : BLACK)
 TERMINAL : COPPER ALLOY
 FITTING NAIL : COPPER ALLOY
- PLATING
 TERMINAL :
 CONTACT AREA : SEPERATED GOLD PLATING(0.1µm MINIMUM)
 SOLDER TAIL AREA : SEPERATED GOLD PLATING(0.05µm MINIMUM)
 UNDER PLATING : NICKEL OVERALL(1.0µm MINIMUM)
 * DIVIED INTO PARTS THE GOLD PLATING OF THE CONTACT AND THE TAIL PART BY THE NICKEL PLATING.
 FITTING NAIL :
 CONTACT AREA : SEPERATED GOLD PLATING(0.1µm MINIMUM)
 SOLDER TAIL AREA : SEPERATED GOLD PLATING(0.05µm MINIMUM)
 UNDER PLATING : NICKEL OVERALL(1.0µm MINIMUM)
 * DIVIED INTO PARTS THE GOLD PLATING OF THE CONTACT AND THE TAIL PART BY THE NICKEL PLATING.
- MATE WITH : 2166560**0
- TAIL AND FITTING NAIL COPLANARITY TO BE 0.08 MAXIMUM.
- PROHIBITED AREA OF PATTERN WIRING AND SOLDER.
 (FOR EACH AREA, THE WIRING THAT TOUCHES ON THE SOLDER CAN BE ATTACHED, THEN COVERED WITH A FILM TO KEEP SOLDER OUT)

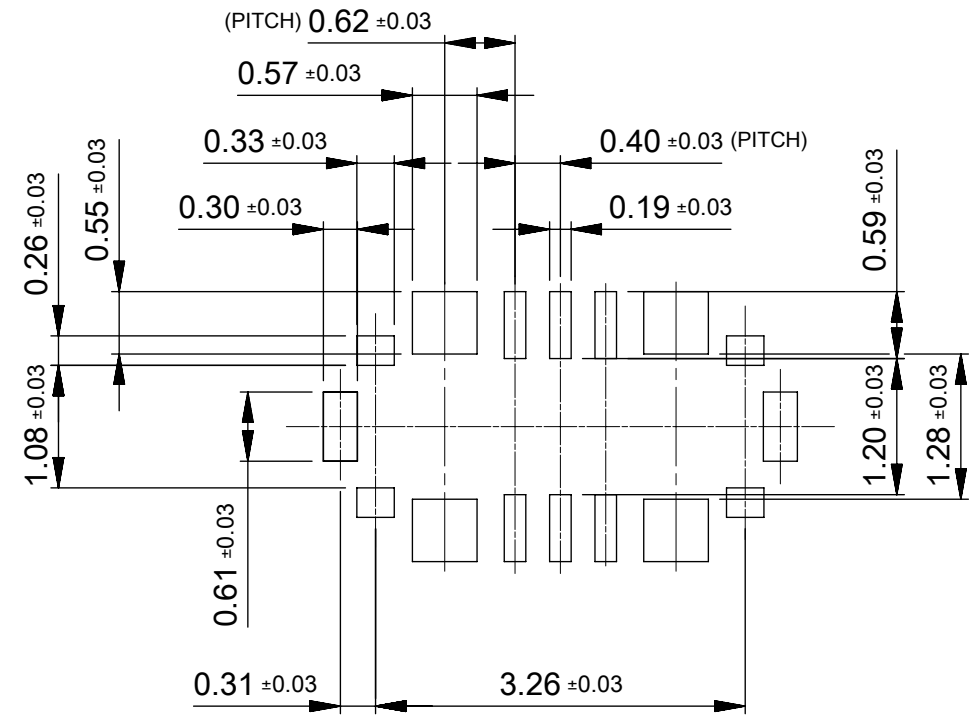
0.80	2.04	3.26	3.98	2166570109	O	---	6+4P
D	C	(B)	A	EMBOSSSED TAPE PACKAGE	HIGH VOL. TOOL	LOW VOL. TOOL	Ckts
				ORDER No.	SAMPLE PREPARATION		
					O : TOOLED		
					□ : WORK PROCESS		
					--- : TOOLING TO BE CONFIRMED		
CONNECTOR SERIES No. : 2166570**0							

FUNCTIONAL SYMBOLS ▽/A = 0 ▽/E = 0 ▽/P = 0	THIS DRAWING CONTAINS INFORMATION THAT IS PROPRIETARY TO MOLEX ELECTRONIC TECHNOLOGIES, LLC AND SHOULD NOT BE USED WITHOUT WRITTEN PERMISSION	SCALE 20:1	CURRENT REV DESC:		molex			
	GENERAL TOLERANCES (UNLESS SPECIFIED)	EC NO: 676351	2021/09/02			0.4 BB CONN. H=0.7 NEW GCB7 PLUG ASSY FOR BATTERY(15A)		
	ANGULAR TOL ± 3.0°	DRWN: BKBAE	2021/09/03					
	4 PLACES ± 0.1	CHK'D: SHCHU	2021/09/03					
DIVISIONAL SYMBOLS	3 PLACES ± 0.1	APPR: SHCHU	2021/09/03		PRODUCT CUSTOMER DRAWING			
2 PLACES ± 0.1	1 PLACE ± 0.1	INITIAL REVISION:	DOCUMENT NUMBER		DOC TYPE	DOC PART	REVISION	
1 PLACE ± 0.1	0 PLACES ± 0.2	DRWN: JHCHANG	2020/10/26		2166570100-SD	PSD	001	A2
DRAFT WHERE APPLICABLE MUST REMAIN WITHIN DIMENSIONS		THIRD ANGLE PROJECTION	DRAWING	SERIES	MATERIAL NUMBER	CUSTOMER		SHEET NUMBER
			A3-SIZE	216657	SEE CHART	GENERAL		1 OF 2



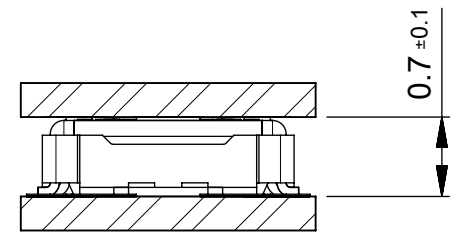
RECOMMENDED P.C.BOARD PATTERN LAYOUT
(FOR REFERENCE)

 SOLDERING PROHIBITED AREA.
WHEN WIRING IS LOCATED,
THE WIRING MUST BE MASKED BY COVER LAY OR RESIST FILM.



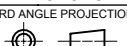
RECOMMENDED METAL MASK LAYOUT
(FOR REFERENCE)

RECOMMENDED THICKNESS : 0.08mm
RECOMMENDED APERTURE DIMENSION IS JUST SAME AS SHOWN FIGURE ABOVE.
FOR THIS DIMENSION, APERTURE RATIO ARE POWER, SIGNAL TERMINAL 55% AND
FITTING NAIL 80%.



MATING CONDITION

THIS DIMENSION SHOWS A DIMENSION BETWEEN THE TAIL TO TAIL.

FUNCTIONAL SYMBOLS	THIS DRAWING CONTAINS INFORMATION THAT IS PROPRIETARY TO MOLEX ELECTRONIC TECHNOLOGIES, LLC AND SHOULD NOT BE USED WITHOUT WRITTEN PERMISSION		CURRENT REV DESC:			molex		
	△/A = 0	mm						
	GENERAL TOLERANCES (UNLESS SPECIFIED)		EC NO: 676351			2021/09/02		
	ANGULAR TOL ± 3.0°		DRWN: BKBAE			2021/09/03		
	4 PLACES ± 0.1		CHK'D: SHCHU			2021/09/03		
DIVISIONAL SYMBOLS	3 PLACES ± 0.1		APPR: SHCHU			2021/09/03		
	2 PLACES ± 0.1		INITIAL REVISION:			DOCUMENT NUMBER		
	1 PLACE ± 0.1		DRWN: JHCHANG			2020/10/26		
	0 PLACES ± 0.2		APPR: SHCHU			2021/09/03		
DRAFT WHERE APPLICABLE MUST REMAIN WITHIN DIMENSIONS			THIRD ANGLE PROJECTION	DRAWING	SERIES	MATERIAL NUMBER	CUSTOMER	SHEET NUMBER
				A3-SIZE	216657	SEE CHART	GENERAL	2 OF 2