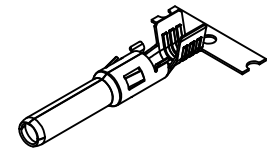
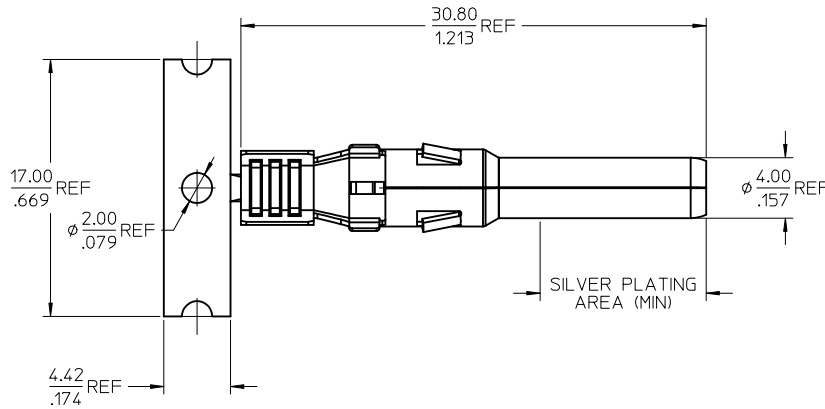
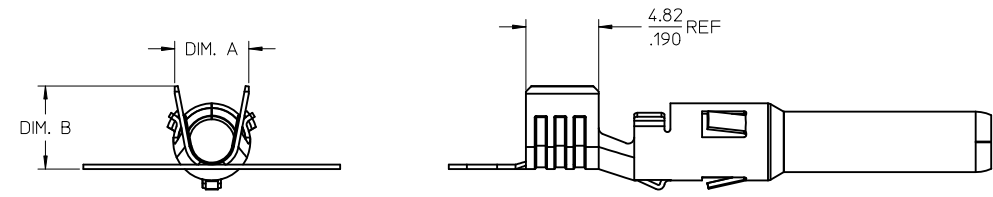


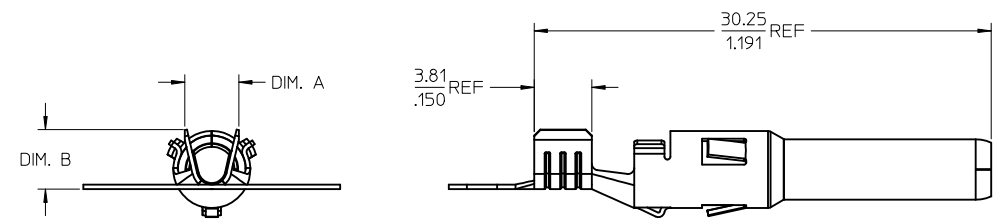
13	12	11	10	9	8
MATERIAL NO. ON STRIP	MATERIAL NO. LOOSE PIECE	CABLE SIZE	DIM. "A" REF	DIM. "B" REF	USE WITH HOUSING ASSY
1301960315	1301960313	2.5mm <sup>2</sup> / 14AWG	3.58/.141	3.94/.155	1302440204
1301960314	1301960310	4.0-6.0mm <sup>2</sup> / 12-10AWG	4.90/.193	5.51/.217	1302440202



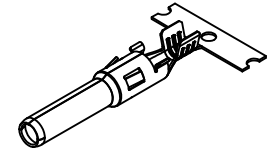
12-10 AWG (4.0-6.0mm<sup>2</sup>)  
SCALE 2:1



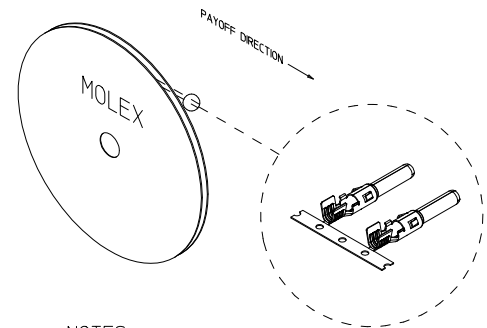
12-10 AWG (4.0-6.0mm<sup>2</sup>)



14 AWG (2.5mm<sup>2</sup>)  
SAME AS 12-10 AWG  
EXCEPT AS NOTED



14 AWG (2.5mm<sup>2</sup>)  
SCALE 2:1



- NOTES:
1. MATERIAL: COPPER ALLOY 0.30/.012 THK.
  2. FINISH: 2.04METER/80MINCH MIN. SELECTIVE SILVER OVER 1.27METER/50MINCH MIN. NICKEL OVERALL
  3. TERMINAL FOR USE WITH 130244 SERIES PIN HOUSING ASSEMBLY. SEE CHART FOR APPLICABLE PART NUMBERS.
  4. STRIP TERMINALS ARE REELED AS SHOWN ABOVE ON Ø580MM (22.84") REELS 2,000/REEL WITH 3 REELS PER CARTON.
  5. PRODUCT SPECIFICATION: PS-130244-001
  6. SEE PK-130197-001 FOR LOOSE PIECE PACKAGING INFO.
  7. SEE PK-130196-002 FOR STRIP PACKAGING INFO.
  8. APPLICATION TOOLING AND CRIMP SPECIFICATIONS: CONSULT FACTORY.
  9. PARTS ARE ROHS COMPLIANT.

<b>DOC RELEASE</b> EC NO: WNAZ011-04/15 DRWNR: RUPERT CHKD: APPR: DTITUS 2011/02/11 2012/04/18 DESCRIPTION REV: A	QUALITY SYMBOLS ▽=0 ▽=0	GENERAL TOLERANCES (UNLESS SPECIFIED) <table border="1"> <thead> <tr> <th></th> <th>mm</th> <th>INCH</th> </tr> </thead> <tbody> <tr> <td>4 PLACES</td> <td>± .005</td> <td>± .0002</td> </tr> <tr> <td>3 PLACES</td> <td>± .005</td> <td>± .0002</td> </tr> <tr> <td>2 PLACES</td> <td>± .005</td> <td>± .0002</td> </tr> <tr> <td>1 PLACE</td> <td>± .005</td> <td>± .0002</td> </tr> </tbody> </table>		mm	INCH	4 PLACES	± .005	± .0002	3 PLACES	± .005	± .0002	2 PLACES	± .005	± .0002	1 PLACE	± .005	± .0002	DIMENSION STYLE <b>MM/IN</b> DRAWN BY: CLYORK DATE: 2010/04/15 CHECKED BY: DATE: DTITUS DATE: 2010/04/15 APPROVED BY: DATE: 2010/05/07 DTITUS	SCALE: 4:1 DESIGN UNITS: METRIC THIRD ANGLE PROJECTION	TITLE: <b>PIN CONTACT, PV SOLAR          14 &amp; 12-10 AWG</b>
		mm	INCH																	
	4 PLACES	± .005	± .0002																	
	3 PLACES	± .005	± .0002																	
2 PLACES	± .005	± .0002																		
1 PLACE	± .005	± .0002																		
DRAFT WHERE APPLICABLE MUST REMAIN WITHIN DIMENSIONS		MATERIAL NO. <b>SEE CHART</b>	DOCUMENT NO. <b>SD-130196-001</b>	SHEET NO. <b>1 OF 1</b>																
THIS DRAWING CONTAINS INFORMATION THAT IS PROPRIETARY TO MOLEX INCORPORATED AND SHOULD NOT BE USED WITHOUT WRITTEN PERMISSION																				