

ezLCD-405

Get your project up and running in hours, not days!

The **AMAZING** fourth generation ezLCD-4xx intelligent, all-in-one, touchscreen technology. Highly functional, very flexible, cost-effective alternative to buttons, switches, character modules, STN displays, or more complex graphical reflective touch displays.

Earth Computer Technologies, Inc is a maker of industrial LCDs and embedded products including the award winning ezLCD technology from EarthLCD, the recognized leader in smart touch LCDs.



5.6" VGA Smart, Touchscreen, Color LCD

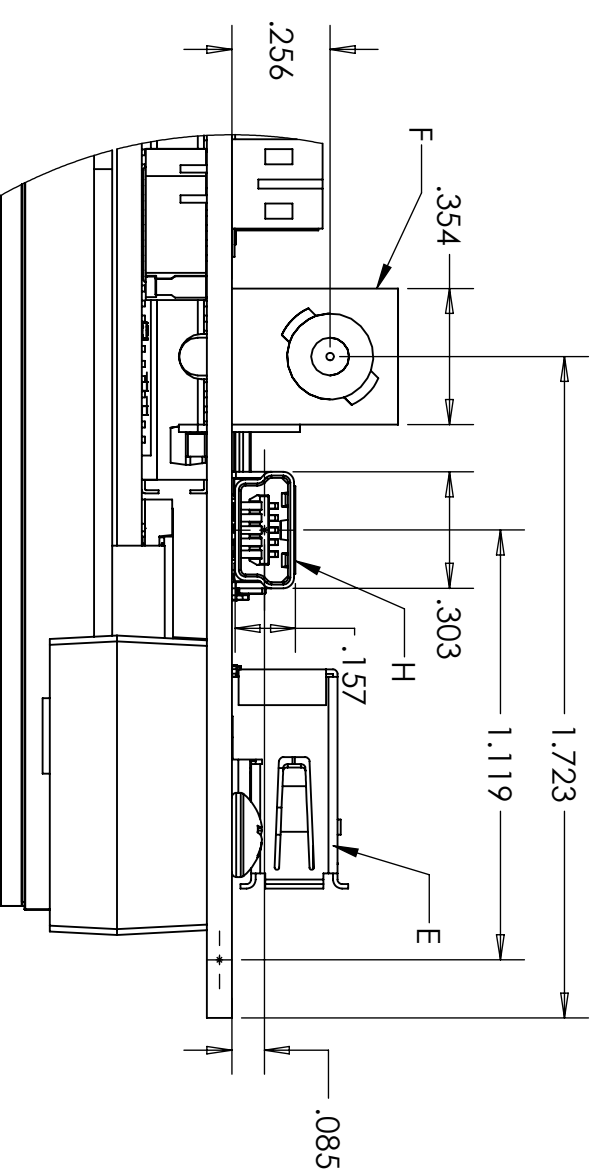
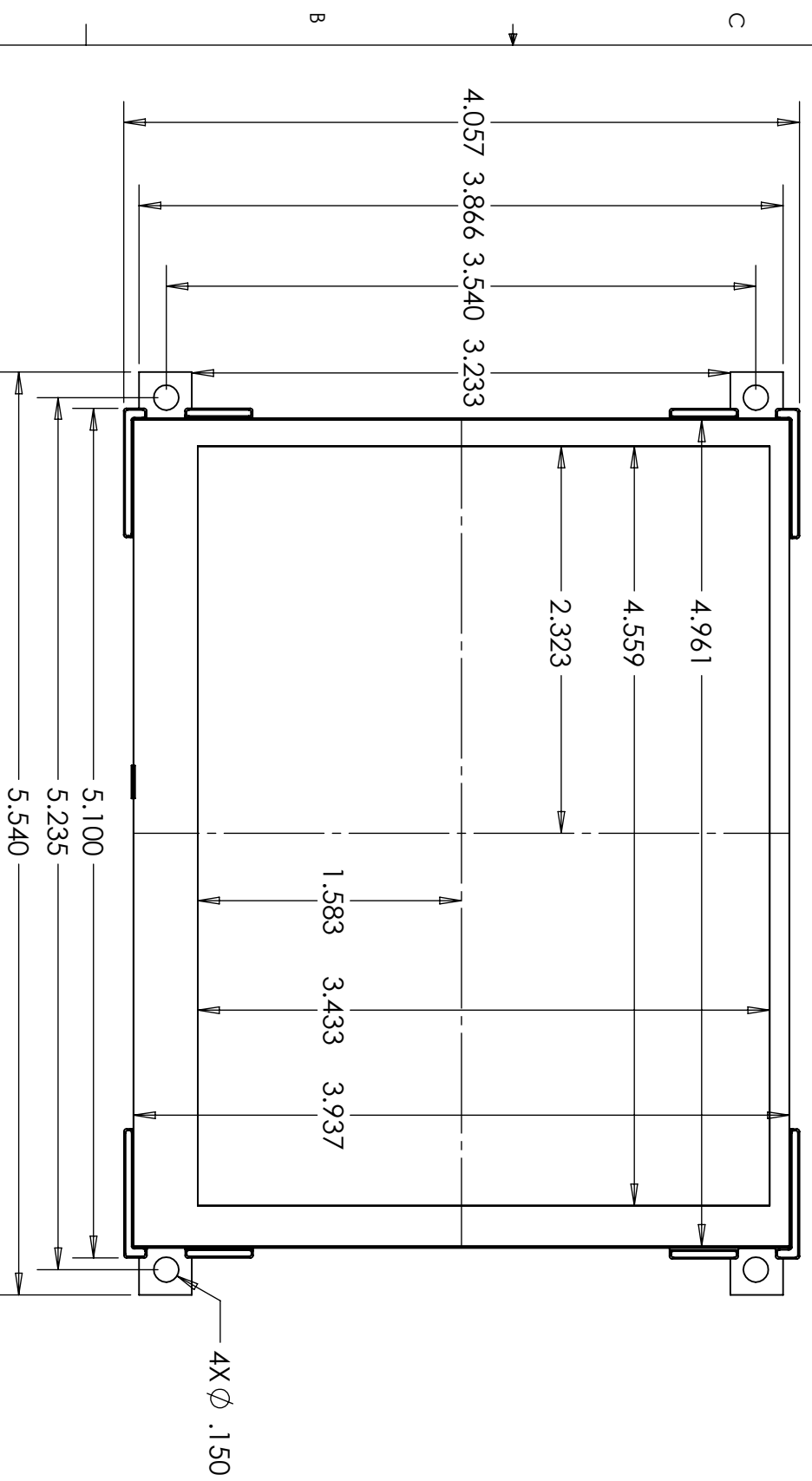
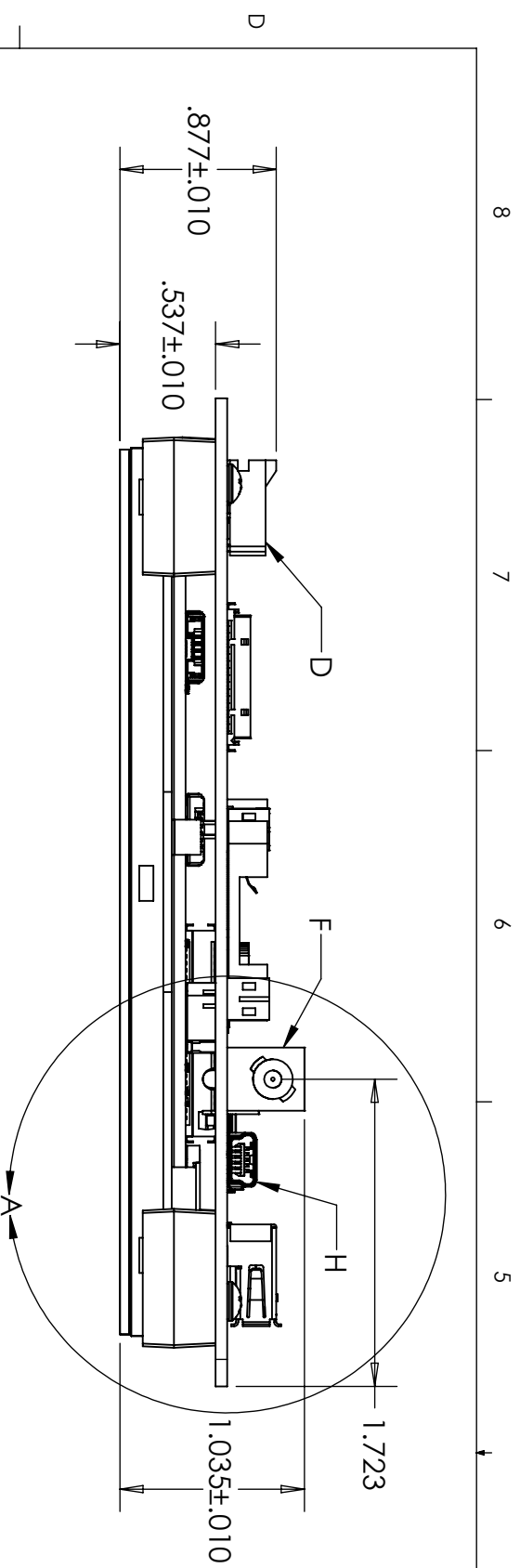
It is the first in the 4th generation of EarthLCD's ezLCD Smart Touch LCD product line. It features 4 times the performance of the last generation. The ezLCD-405 uses the proven ezLCD API for rapid development of dynamic user interfaces. ezLCD's have been the Smart Touch LCD of choice for the last ten years for Top Tier Medical, Instrumentation and Industrial equipment manufacturers looking to outsource the GUI portion of their product.

Benefits of the ezLCD-405 include a 640 x 480 Color TFT LCD with a resistive touch screen. It contains a STMicro STM32F429 ARM Cortex M4 microcontroller running at 180 Mhz, 8 megabytes of DRAM, 2 Megabytes of code Flash and up to 32 GB of SD Flash storage. Generous expansion interfaces allow backward compatibility with past generation ezLCD 's with additional interfaces including SPI, i2c, RS-232 (TTL) and an optional WiFi Bluetooth Low Energy interface .

Product Specifications

Hardware Features:

- 5.6" VGA Color, TFT LCD
- 640 x 480 resolution
- 262 ,144 colors (18 bit)
- Resistive Touch Screen
- Two LEDs for power and diagnostics
- SPI Flash
- Real Time Clock with Battery Backup
- Micro SD allowing 32 Gbytes Storage
- STM32F429 microcontroller
- 2 MB of Flash memory
- 256 KB of RAM
- SDRAM 64 Mbits
- USB Client for Firmware Download and Development
- 5-18V operating voltage
- Wireless Expansion Connector
- Legacy Expansion Connector
- Mechanically Compatible with ezLCD-004 /005
- Two pushbuttons (Firmware Download and Reset)
- USB, SPI , i2c, Serial Interfaces for Host control



DETAIL A
SCALE 2:1

- A: CN1 (HIROSE, DF11CZ-32DP-2V(27))
- B: EXT1 (HIROSE, DF9-51P-1V(69))
- C: WIFI1 (HIROSE, DF9-31S-1V(32))
- D: MINI (TE, 5-103634-3)
- E: USB HOST: (USB TYPE A)
- F: POWER (2.1MM BARREL JACK, CENTER POSITIVE)
- G: PIN (JST, B3B-PH-K-S(LF)(SN))
- H: USB1 (USB-MINI-B)

PROPRIETARY AND CONFIDENTIAL
THE INFORMATION CONTAINED IN THIS DRAWING IS THE SOLE PROPERTY OF EARTH COMPUTER TECHNOLOGIES, INC. ANY REPRODUCTION IN ANY MANNER WITHOUT THE WRITTEN PERMISSION OF EARTH COMPUTER TECHNOLOGIES, INC. IS PROHIBITED.

UNLESS OTHERWISE SPECIFIED:	
DIMENSIONS ARE IN INCHES	
TOLERANCES:	
XXX-.01	
XXXX-.005	
BEND ± 1.0°	
INTERPRET GEOMETRIC TOLERANCING PER: ASME Y14.5-2009	
MATERIAL	
FINISH	
DO NOT SCALE DRAWING	

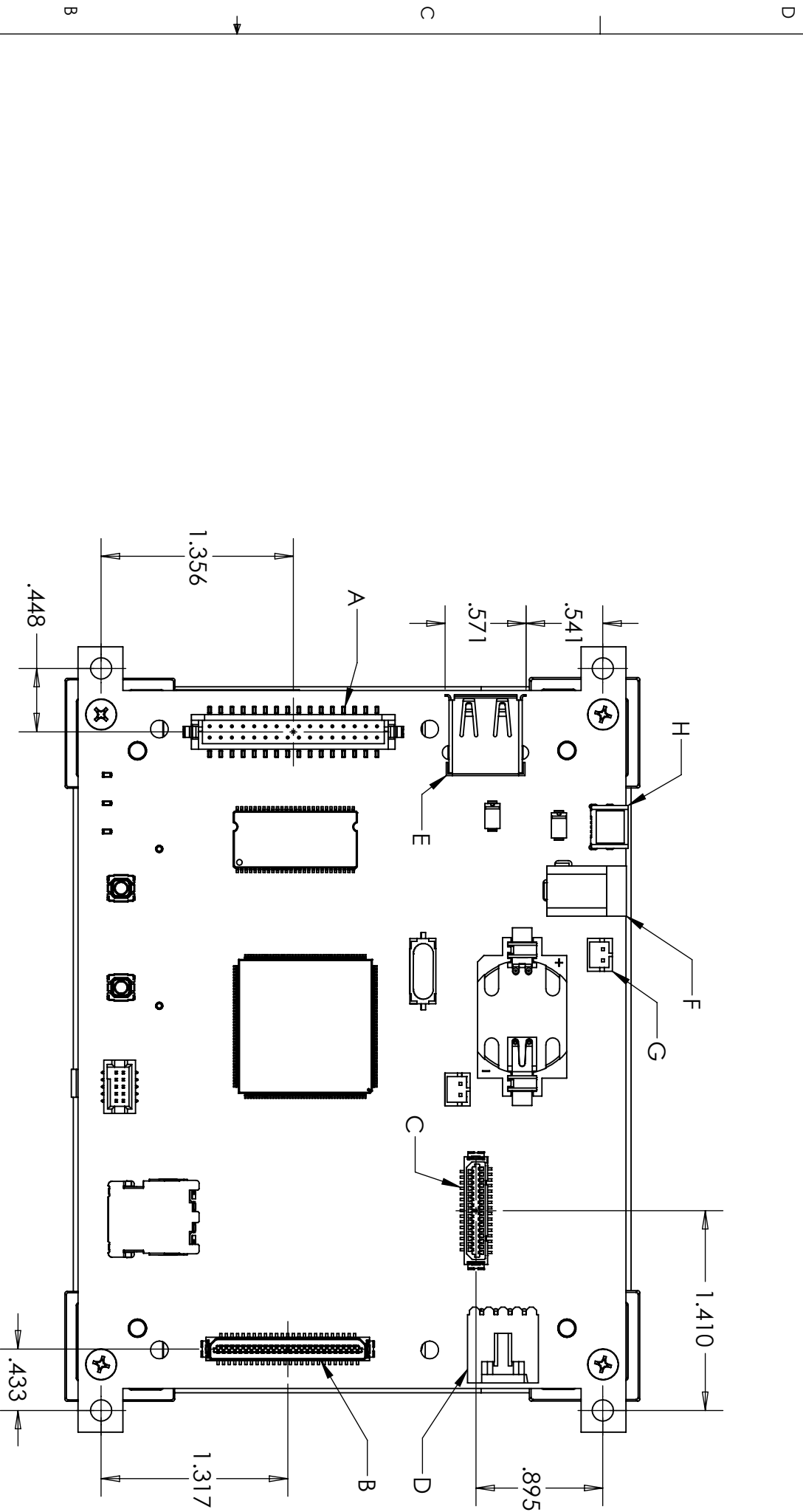
NAME	DATE
DRAWN	
CHECKED	4/13/15
ENG APPR	
MEG APPR	
Q.A.	

Earth CD
Earth Computer Technologies, Inc.
3184-J Airway Avenue Costa Mesa, CA 92626
(949) 248-2333

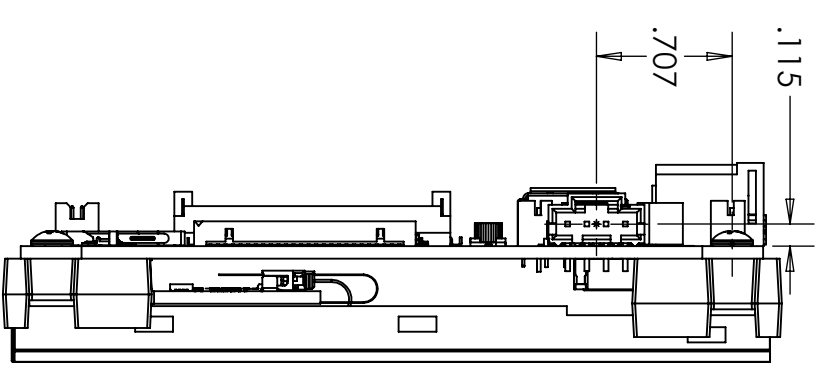
SIZE	DWG. NO.	REV
B	eZL-CD-405 (GENERAL DIMENSIONS)	B

SCALE: 1:2 WEIGHT: SHEET 1 OF 3

8 7 6 5 4 3 2 1



BACK



- A: CN1 (HIROSE, DF11CZ-32DP-2V(27))
- B: EXT1 (HIROSE, DF9-51P-1V(69))
- C: WIFI1 (HIROSE, DF9-31S-1V(32))
- D: MINI1 (TE, 5-103634-3)
- E: USB HOST: (USB TYPE A)
- F: POWER (2.1MM BARREL JACK, CENTER POSITIVE)
- G: PIN (JST, B3B-PH-K-S(LF)(SN))
- H: USB1 (USB-MINI-B)

8 7 6 5 4 3 2 1

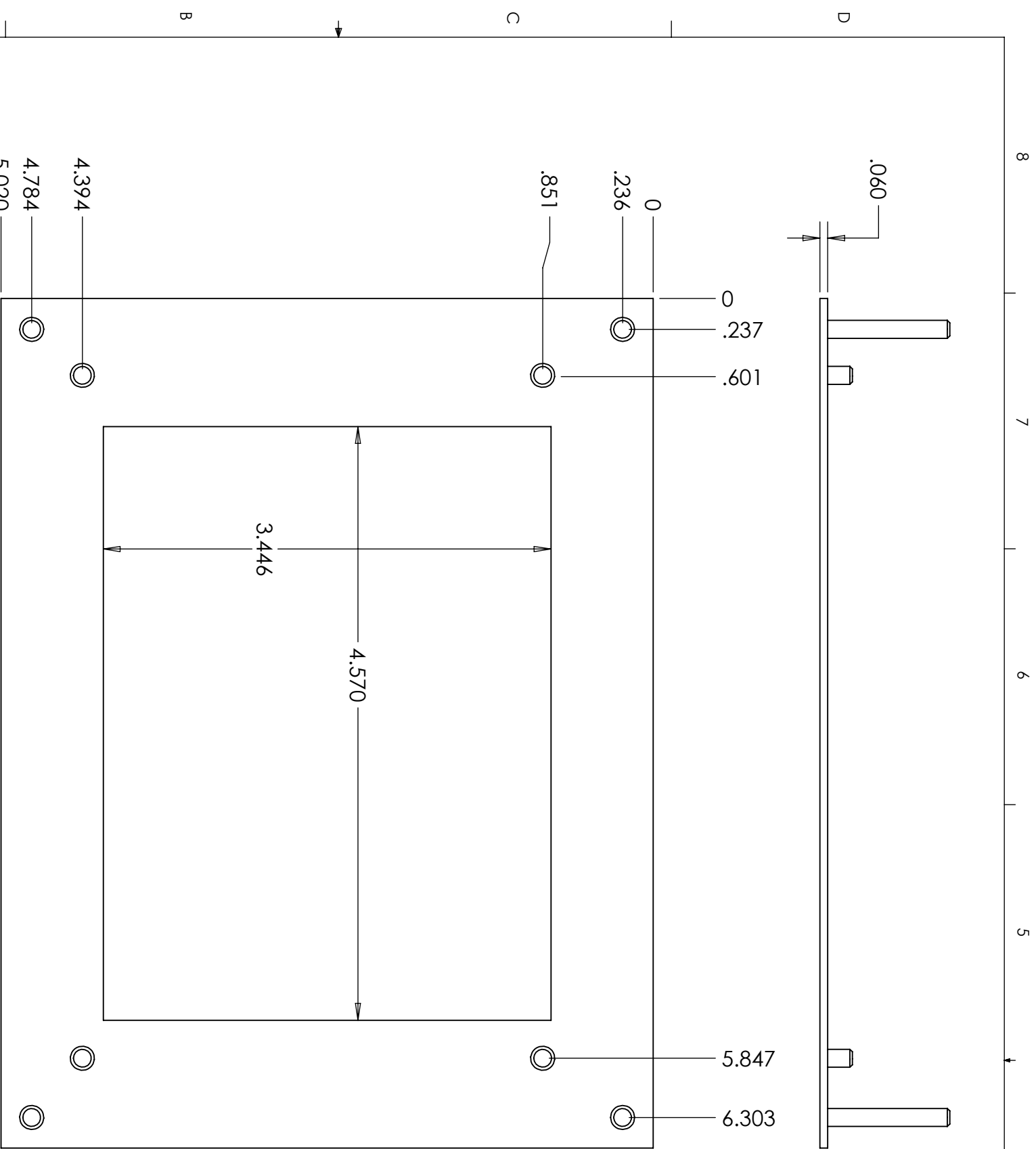
PROPRIETARY AND CONFIDENTIAL
 THE INFORMATION CONTAINED IN THIS DRAWING IS THE SOLE PROPERTY OF EARTH COMPUTER TECHNOLOGIES, INC. ANY REPRODUCTION IN ANY MANNER WITHOUT THE WRITTEN PERMISSION OF EARTH COMPUTER TECHNOLOGIES, INC. IS PROHIBITED.

UNLESS OTHERWISE SPECIFIED:	
DIMENSIONS ARE IN INCHES	
TOLERANCES:	
XXX+.01	
XX+.015	
XXXX+.005	
BEND ± 1.0°	
INTERPRET GEOMETRIC TOLERANCING PER: ASME Y14.5-2009	
MATERIAL	
FINISH	
DO NOT SCALE DRAWING	

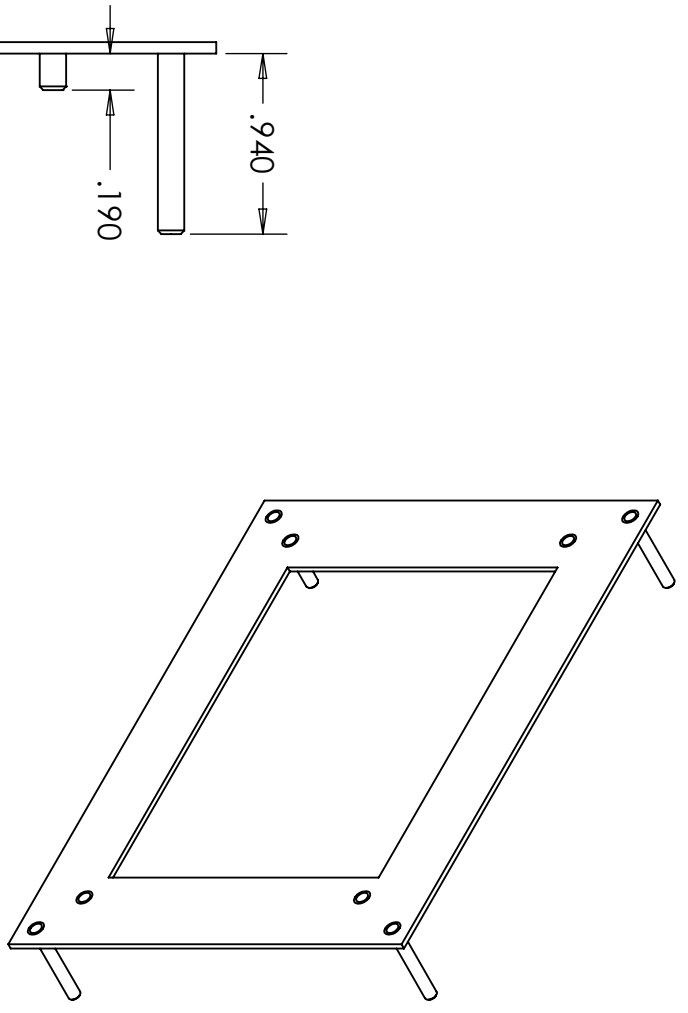
NAME	DATE
BB	4/13/15
DRAWN	
CHECKED	
ENG APPR	
MEG APPR	
QA	
COMMENTS:	

Earth CD
 Earth Computer Technologies, Inc.
 3184-J Airway Avenue Costa Mesa, CA 92626
 (949) 248-2333

TITLE:	SIZE	DWG. NO.	REV
	B	e2LCD-405 (GENERAL DIMENSIONS)	B
SCALE: 1:2	WEIGHT:	SHEET 2 OF 3	



OPTIONAL BEZEL
EARTH PART NUMBER
MTL-004-BZL



PROPRIETARY AND CONFIDENTIAL
 THE INFORMATION CONTAINED IN THIS DRAWING IS THE SOLE PROPERTY OF EARTH COMPUTER TECHNOLOGIES, INC. ANY REPRODUCTION OR TRANSMISSION OF THIS DRAWING WITHOUT THE WRITTEN PERMISSION OF EARTH COMPUTER TECHNOLOGIES, INC. IS PROHIBITED.

UNLESS OTHERWISE SPECIFIED:

DIMENSIONS ARE IN INCHES	DRAWN	NAME	DATE
TOLERANCES:	CHECKED	BB	4/13/15
.XX+ .01	ENG APPR		
.XXX+ .005	MEG APPR		
BEND ± 1.0°	Q/A		

INTERPRET GEOMETRIC TOLERANCING PER: ASME Y14.5-2009

FINISH	COMMENTS:
MATERIAL	
DO NOT SCALE DRAWING	

Earth CD Earth Computer Technologies, Inc. 3184-J Airway Avenue Costa Mesa, CA 92626 (949) 248-2333	
TITLE:	
SIZE: B	DWG. NO.: eZLCD-405 (GENERAL DIMENSIONS)
SCALE: 1:2	WEIGHT:
SHEET 3 OF 3	REV B