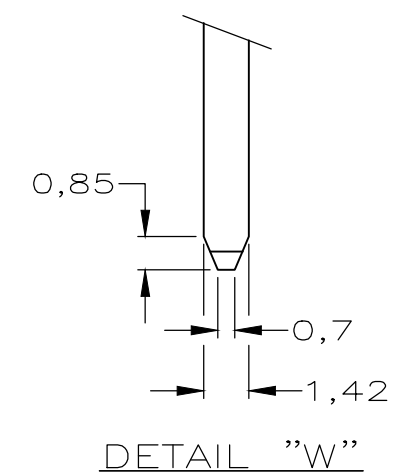
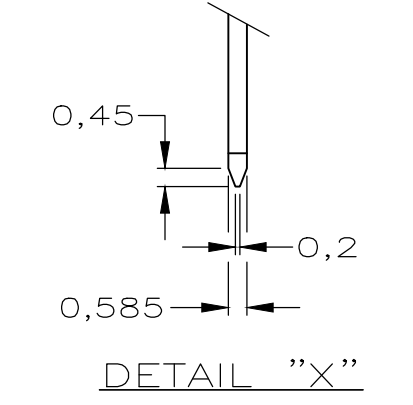
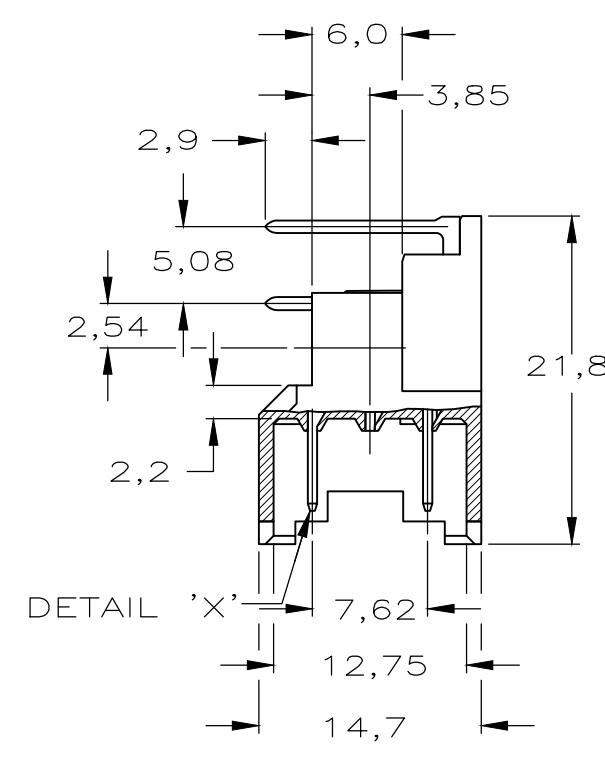
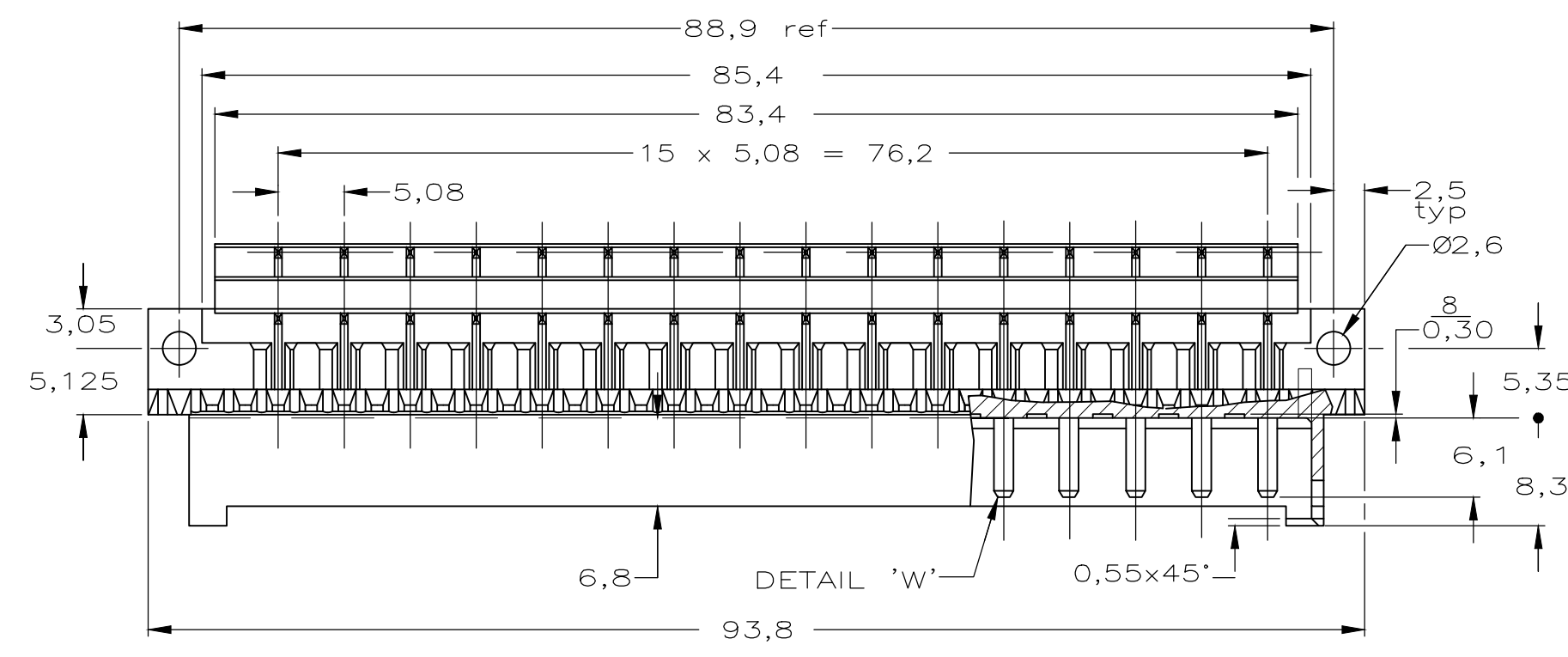


| REVISIONS | | | | | |
|-----------|-----|---------------------------|-----------|-----|------|
| P | LTR | DESCRIPTION | DATE | DWN | APVD |
| | K | REVISED PER ECO-20-012547 | 04NOV2020 | RZ | HL |



| POS. NO | 2 | 4 | 6 | 8 | 10 | 12 | 14 | 16 | 18 | 20 | 22 | 24 | 26 | 28 | 30 | 32 |
|----------|---|---|---|---|----|----|----|----|----|----|----|----|----|----|----|----|
| F 48 ROW | X | X | X | X | X | X | X | X | X | X | X | X | X | X | X | X |
| | . | . | . | . | . | . | . | . | . | . | . | . | . | . | . | . |
| | X | X | X | X | X | X | X | X | X | X | X | X | X | X | X | X |

AN ASTERISK „X” DENOTES A FMLB CONTACT.

NOTES

- 1 MATERIAL:
-HOUSING: THERMOPLASTIC POLYESTER, COLOR GREY.
-CONTACTS: BRASS.
- 2 PLATING CONTACT: 1,25 μm Au OVER 1,25 μm Ni IN CONTACT AREA.
Sn over 1,25 μm Ni ON SOLDER POST.
- 3 PLATING CONTACT: CONFIRMS TO IEC60603-2 PERFORMANCE LEVEL II REQUIREMENT
IN CONTACT AREA, Sn OVER Ni IN SOLDER AREA.
- 4 PLATING CONTACT: 2,0 μm Au OVER 1,25 μm Ni IN CONTACT
AREA. Sn over 1,25 μm Ni ON SOLDER POST.
- 5 PLATING CONTACT: 0,4 μm Au OVER 1,25 μm Ni IN CONTACT
AREA. Sn over 1,25 μm Ni ON SOLDER POST.
- 6 SOLDER POSTS SUITABLE FOR P.C.B. HOLES
0,8±0,05 OR 1,0±0,1 DIA.
- 7 8 HOLES SUITABLE FOR KEYING PIN PN. 215916-1.
- 8 KEYING HOLES TO BE DRILLED BY CUSTOMER.

| | | | |
|---------------|------------|------------|------------|
| 2--8 OBSOLETE | SEE NOTE 5 | SEE NOTE 1 | 2-164306-8 |
| 2--7 OBSOLETE | SEE NOTE 4 | | 2-164306-7 |
| | SEE NOTE 3 | | 2-164306-4 |
| | SEE NOTE 2 | | 2-164306-1 |
| | FINISH | MATERIAL | PARTNUMBER |

| | | | | |
|--|--|-------------------------|--|-----------------|
| THIS DRAWING IS A CONTROLLED DOCUMENT. | | DWN R.v.Lokven 31.03.93 | STE TE Connectivity | |
| | | CHK J.GIBBELS | | |
| | | APVD - | NAME | |
| | | PRODUCT SPEC - | 32 POS. DIN 41612 F MALE 90 DEGREE SOLDER CONNECTOR | |
| | | APPLICATION SPEC - | RESTRICTED TO - | |
| | | WEIGHT 0.000000 | SIZE A3 | CAGE CODE 00779 |
| | | DRAWING NO C-164306 | | REV K |
| CUSTOMER DRAWING | | SCALE - | SHEET 1 OF 1 | REV K |