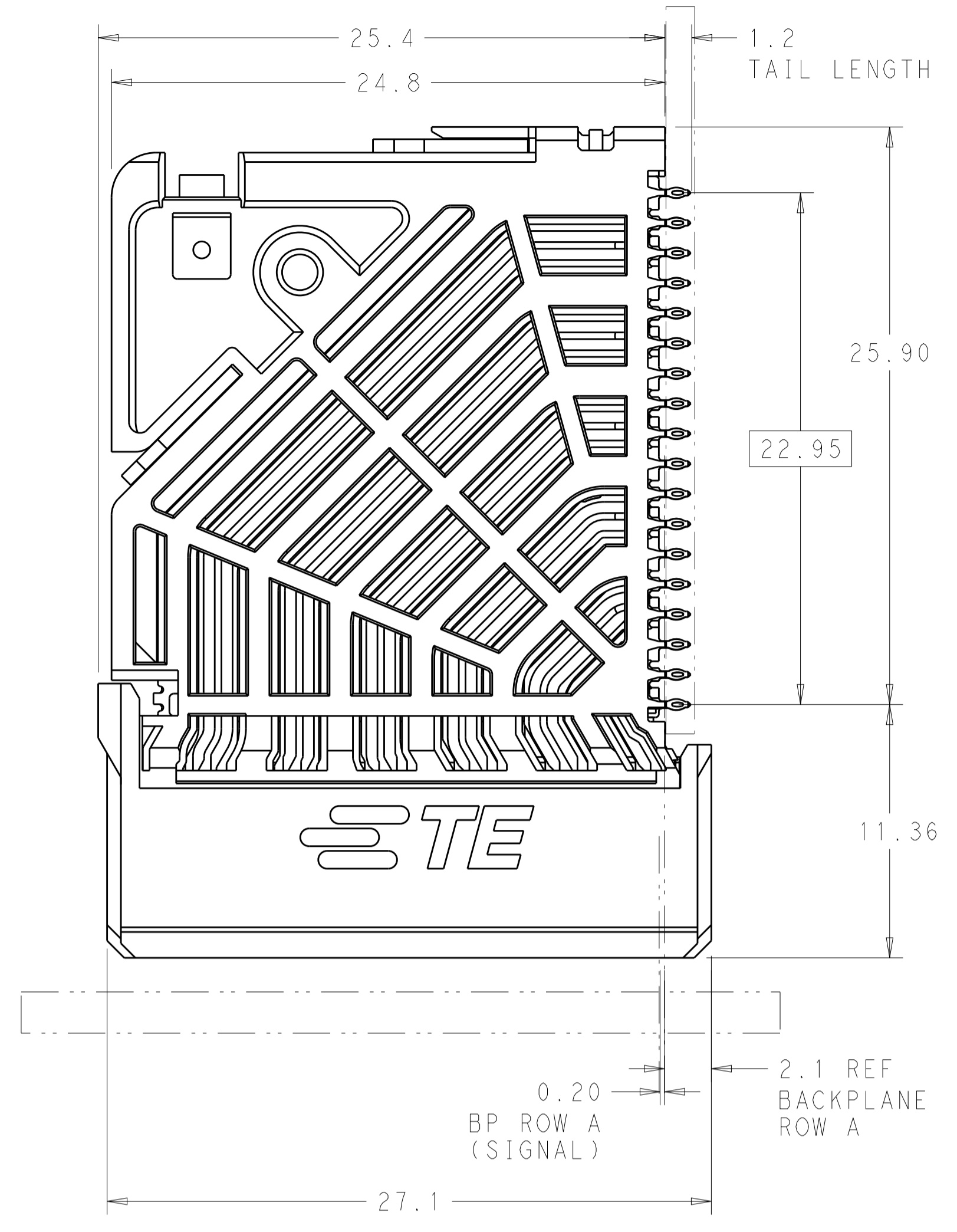
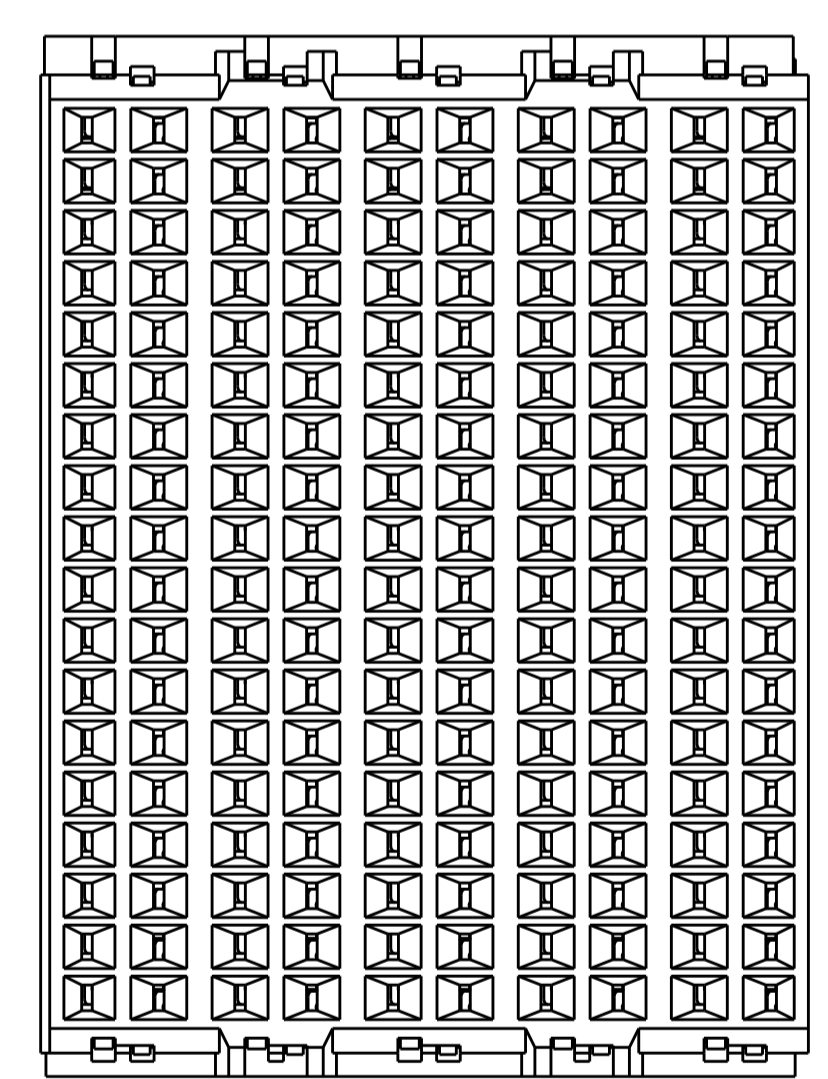
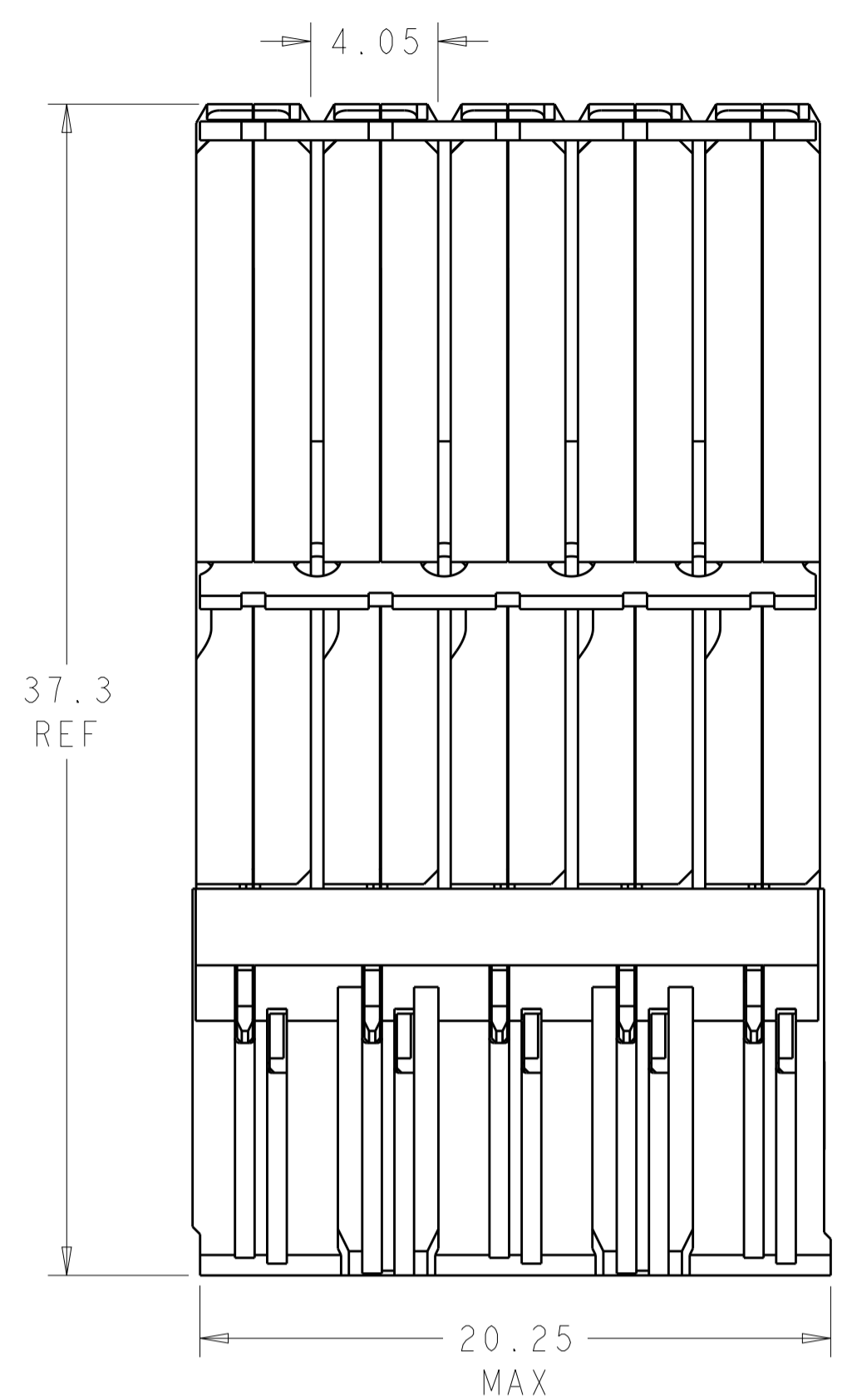
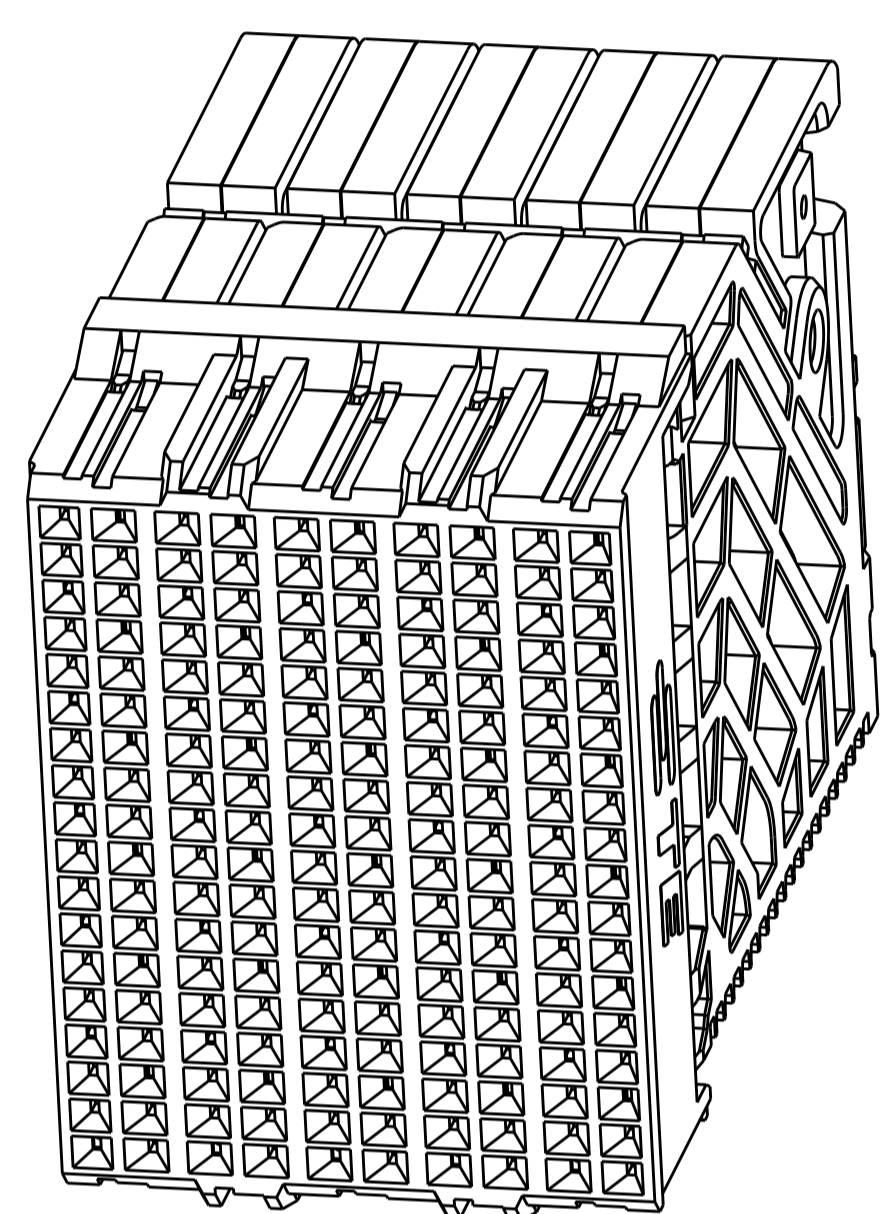


LOC	DIST	REVISIONS			
P	LTN	DESCRIPTION	DATE	DWN	APVD
D		REVISED PER ECO-15-012351	03SEP2015	AP	SY



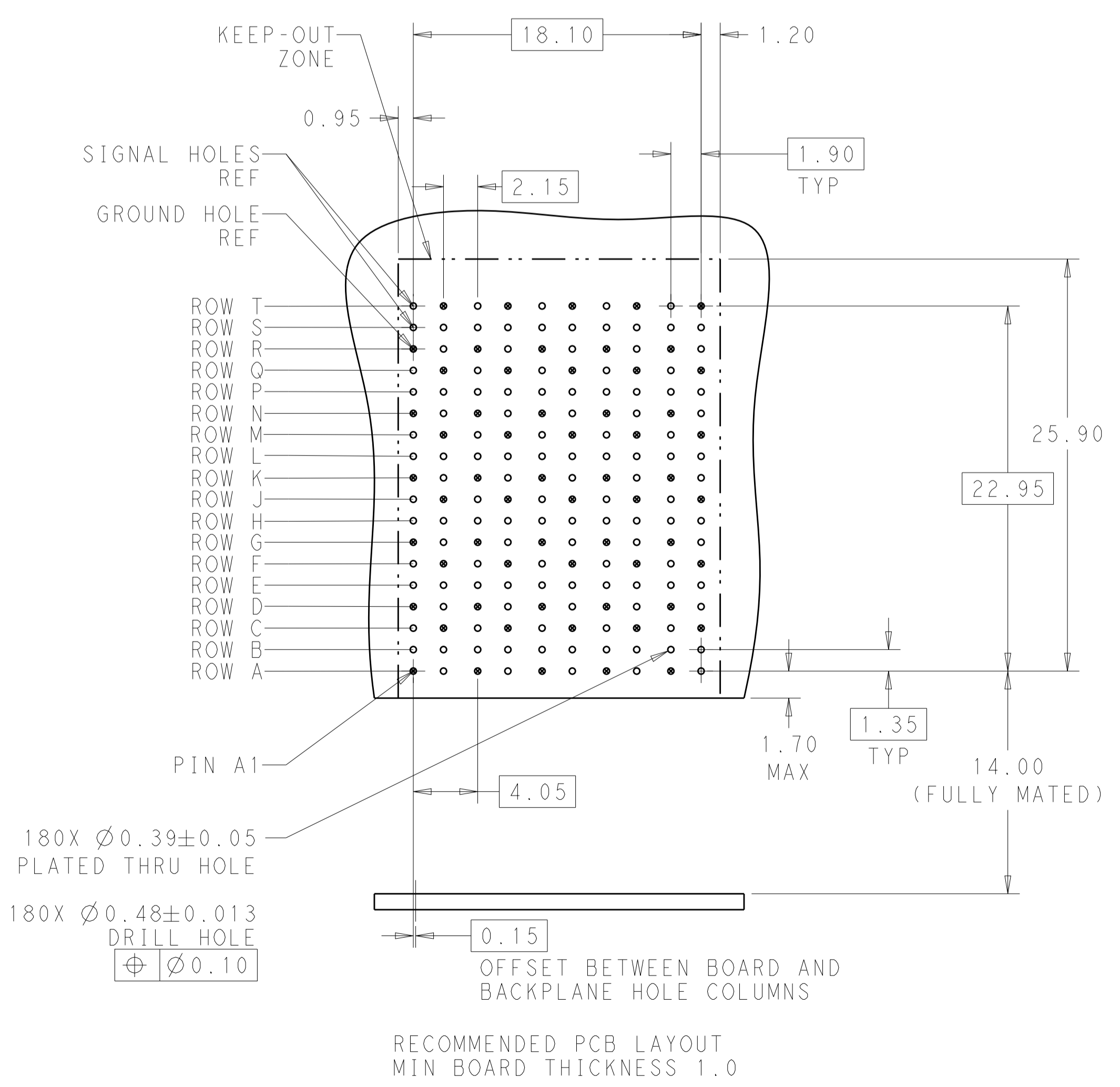
⚠ MATERIAL:
HOUSING: LCP, GLASS FILLED, UL94V-0.
TERMINALS: HIGH PERFORMANCE COPPER ALLOY.

⚠ FINISH:
30μ" SELECTIVE GOLD IN CONTACT AREA. SELECTIVE TIN ON PCB TAILS, NICKEL OVERALL.



SCALE 4:1

REFER TO WWW.TE.COM FOR PRODUCT AVAILABILITY



NONE	⚠	2132720-1
KEY POSITION	FINISH	PART NUMBER
TE TE Connectivity		
DWN: 11MAY2011 CHK: D. DIXON APVD: D. DIXON		NAME: IMPACT, ORTHOGONAL, 6 PAIR, DAUGHTERCARD, 10 COLUMN, NO GUIDE, SIGNAL MODULE, 0.39 EYELET
DIMENSIONS: mm		SIZE: A1
TOLERANCES UNLESS OTHERWISE SPECIFIED:		WEIGHT: -
0 PLC ±		RESTRICTED TO: -
1 PLC ±0.25		SCALE: 5:1
2 PLC ±0.15		SHEET: 1 OF 1
3 PLC ±		REV: D
4 PLC ±		
ANGLES ±		
FINISH: SEE TABLE		
MATERIAL: ⚠		
Customer Drawing		