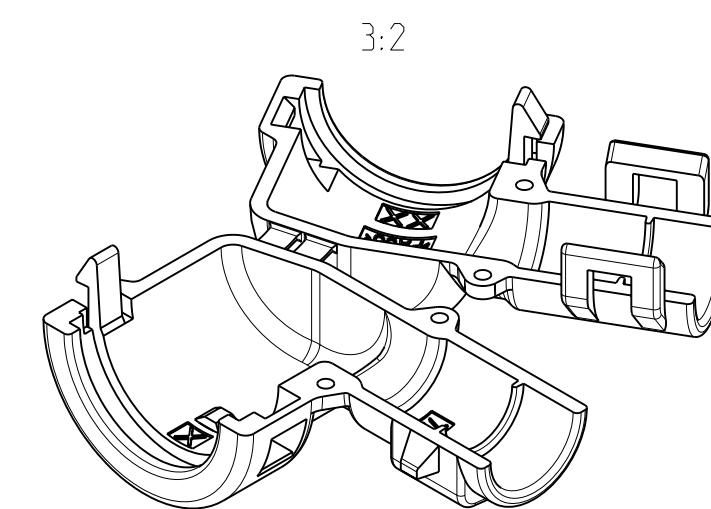
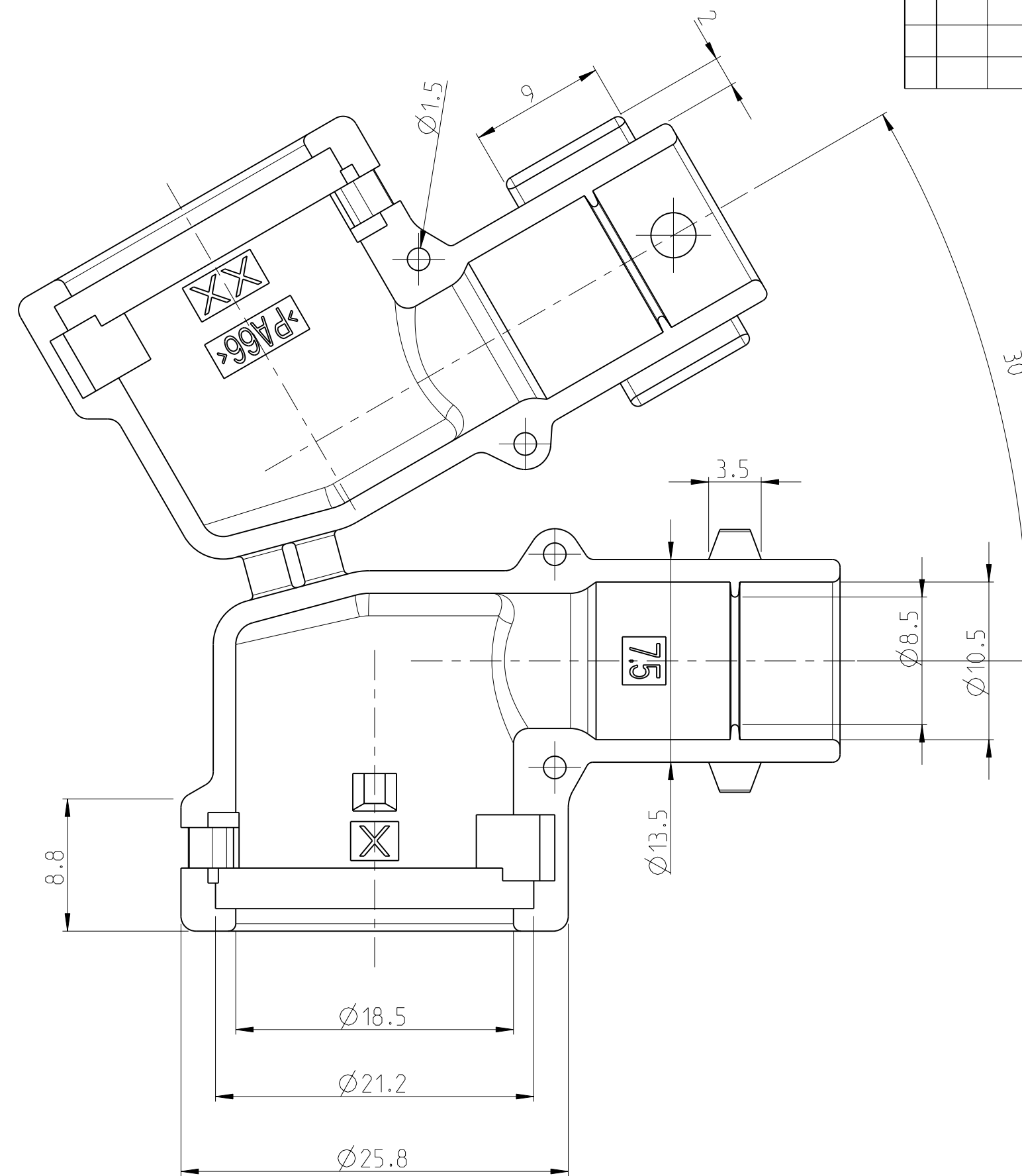
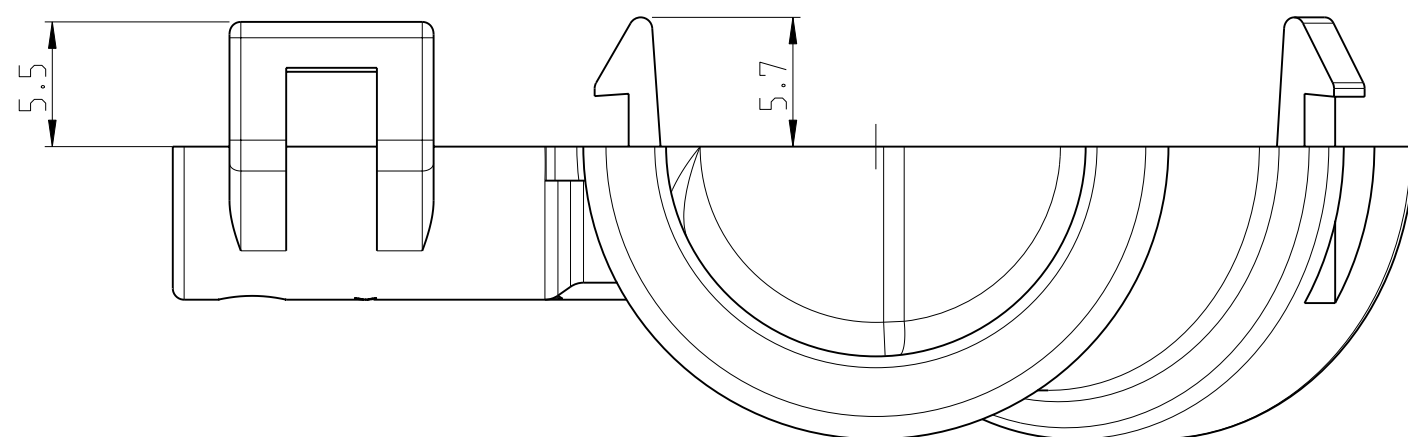
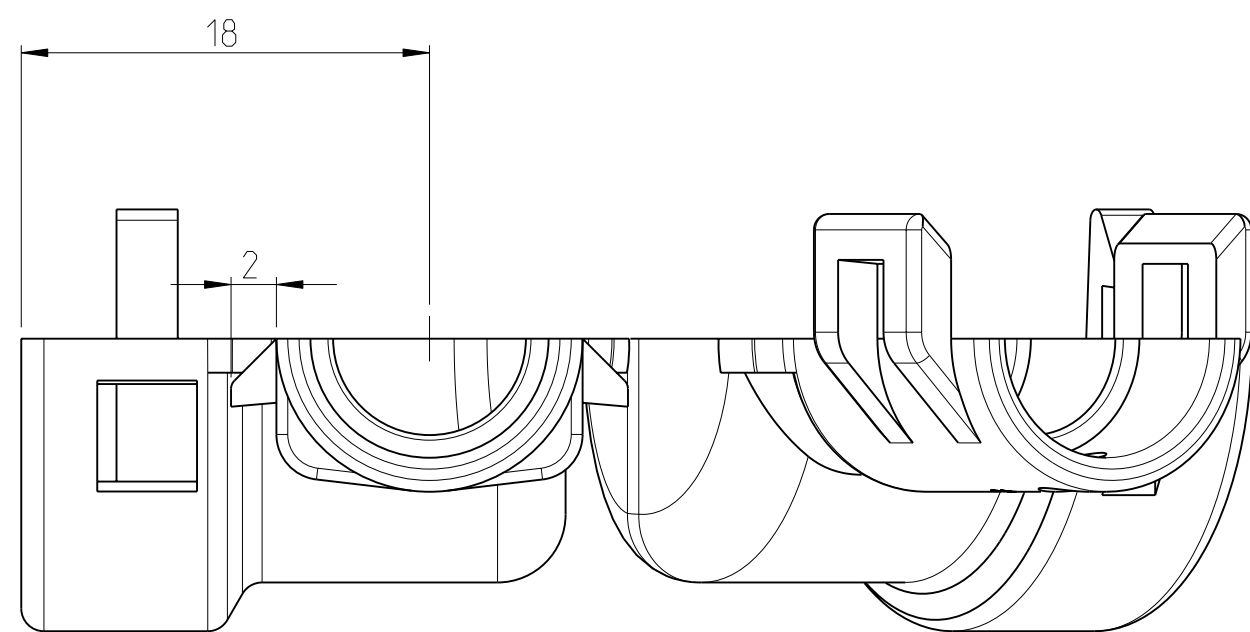
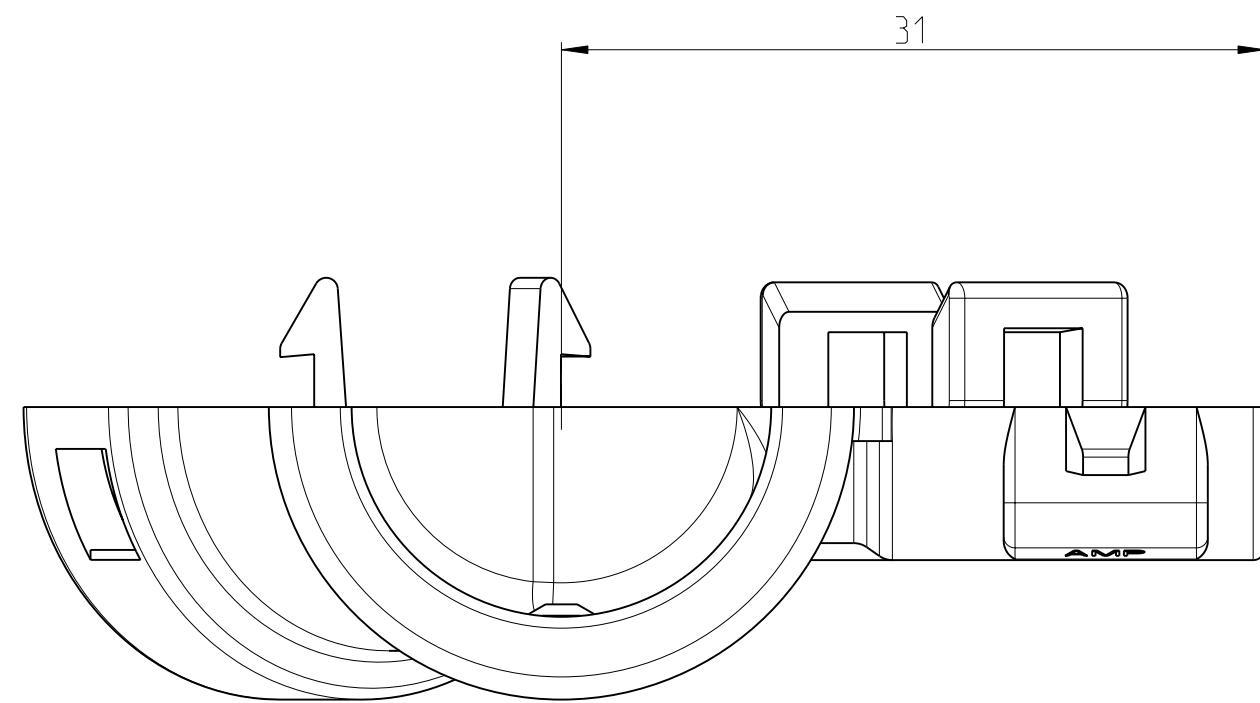


THIS DRAWING IS UNPUBLISHED. RELEASED FOR PUBLICATION 20
 © COPYRIGHT 20 BY TYCO ELECTRONICS CORPORATION. ALL INTERNATIONAL RIGHTS RESERVED.

LOC	DIST	REVISIONS			
P	LTR	DESCRIPTION	DATE	DWN	APVD
F	00	A	INITIAL RELEASE	29NOV2010	CS JPP



<small>THIS DRAWING IS A CONTROLLED DOCUMENT FOR TYCO ELECTRONICS CORPORATION. IT IS SUBJECT TO CHANGE AND THE CONTROLLING ENGINEERING ORGANIZATION SHOULD BE CONTACTED FOR THE LATEST REVISION.</small>		DWN C. SALGADO 29NOV2010 CHK J.P. PICAUD 30NOV2010 APVD -	Tyco Electronics Tyco Electronics France SAS 95300 Pontoise, France
DIMENSIONS: mm 	TOLERANCES UNLESS OTHERWISE SPECIFIED: 0 PLC ± 1 PLC ± 2 PLC ± 0.2 3 PLC ± 4 PLC ± ANGLES ±1° FINISH	PRODUCT SPEC 115-19028 APPLICATION SPEC - WEIGHT 6 g	NAME 90 DEG. CAP. CORRUGATED TUBE WITH PLUMBING HOLES SIZE CAGE CODE DRAWING NO RESTRICTED TO A2 00779 C-185793 -
MATERIAL PA 66	CUSTOMER DRAWING	SCALE 3:1	SHEET 1 OF 1 REV A