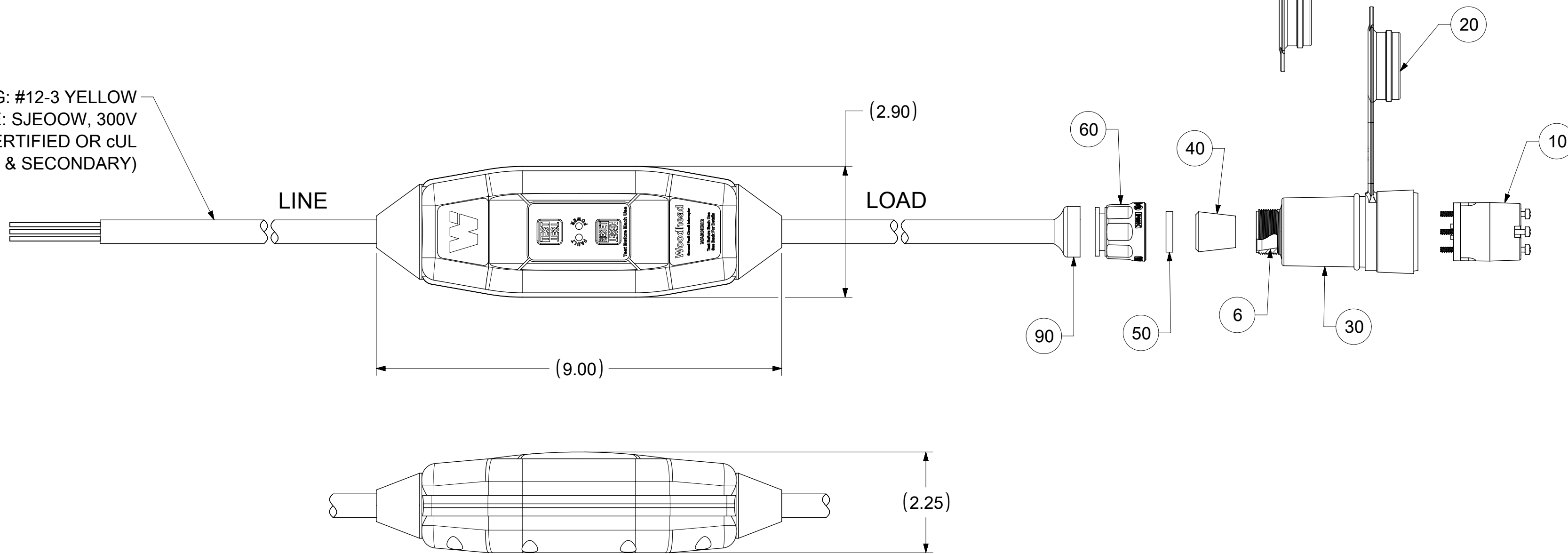


AWG: #12-3 YELLOW
 TYPE: SJEOOW, 300V
 AGENCY APPROVAL: UL & CSA CERTIFIED OR cUL
 (BOTH SIDE - PRIMARY & SECONDARY)



TECHNICAL

AGENCY APPROVAL: NONE
 RATED SUPPLY VOLTAGE: 120VAC
 RATED CURRENT: UP TO 20 AMPS
 RESET TYPE: MANUAL
 OPERATING FREQUENCY: 60 Hz
 TYPE: CLASS A
 GROUND TRIP CURRENT: 5mA +/- 1mA
 OVERLOAD CURRENT: 120 AMPS, 50% INDUCTIVE
 INSULATION VOLTAGE: 1,500 VRMS - 1 MINUTE
 ENDURANCE OPERATIONS: 3000 OPERATIONS
 ENCLOSURE: TYPE 4X, IP69, IP69K

MATERIAL NO.	ENGINEERING NO.	LENGTH "L"	POWER-UP
1301530236	130153-0236	22 FT	MANUAL

FUNCTIONAL SYMBOLS $F_A = 0$ $F_C = 0$ $F_P = 0$	THIS DRAWING CONTAINS INFORMATION THAT IS PROPRIETARY TO MOLEX ELECTRONIC TECHNOLOGIES, LLC AND SHOULD NOT BE USED WITHOUT WRITTEN PERMISSION		
	DIMENSION UNITS	SCALE	CURRENT REV DESC: REPLACED INLINE GFCI 20A
	INCH	NTS	
	GENERAL TOLERANCES (UNLESS SPECIFIED)		
DIVISIONAL SYMBOLS 4 PLACES ± 3 PLACES ± 2 PLACES ± 1 PLACE ± 0 PLACES ±	ANGULAR TOL	± °	EC NO: 678993
			DRWN: VASUTHKARP 2021/08/30
			CHK'D: DNGUYEN62 2022/12/16
			APPR: HKNEELAND 2022/12/19
DRAFT WHERE APPLICABLE MUST REMAIN WITHIN DIMENSIONS		THIRD ANGLE PROJECTION	DRAWING SERIES
			C-SIZE 130153
DOCUMENT NUMBER		DOC TYPE	DOC PART
SD-130153-037		PSD	001
MATERIAL NUMBER		CUSTOMER	SHEET NUMBER
SEE TABLE		GENERAL MARKET	1 OF 1



INLINE GFCI 20A, 120V INPUT FLYING LEAD
 OUTPUT 15W33 NEMA 5-20

PRODUCT CUSTOMER DRAWING