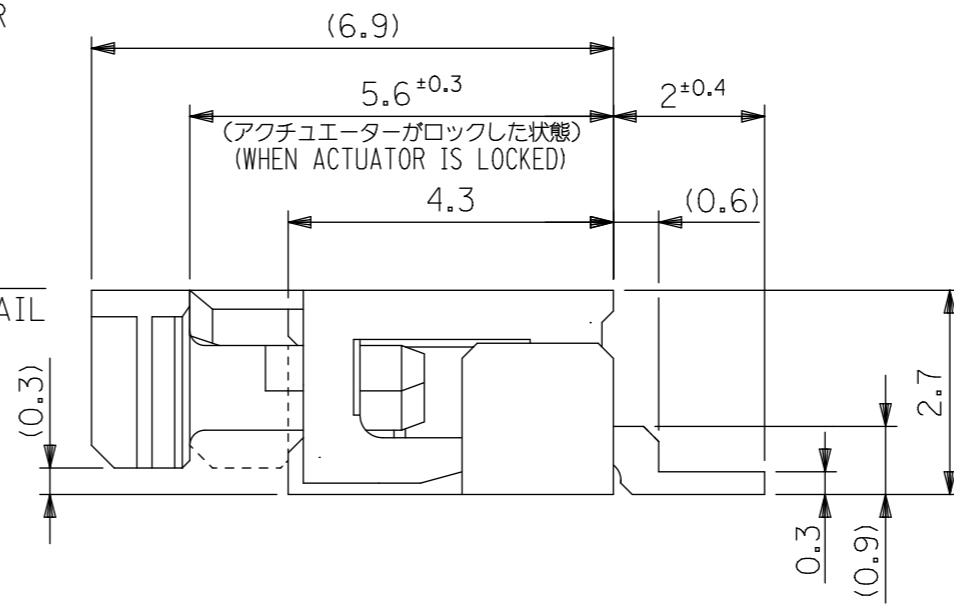
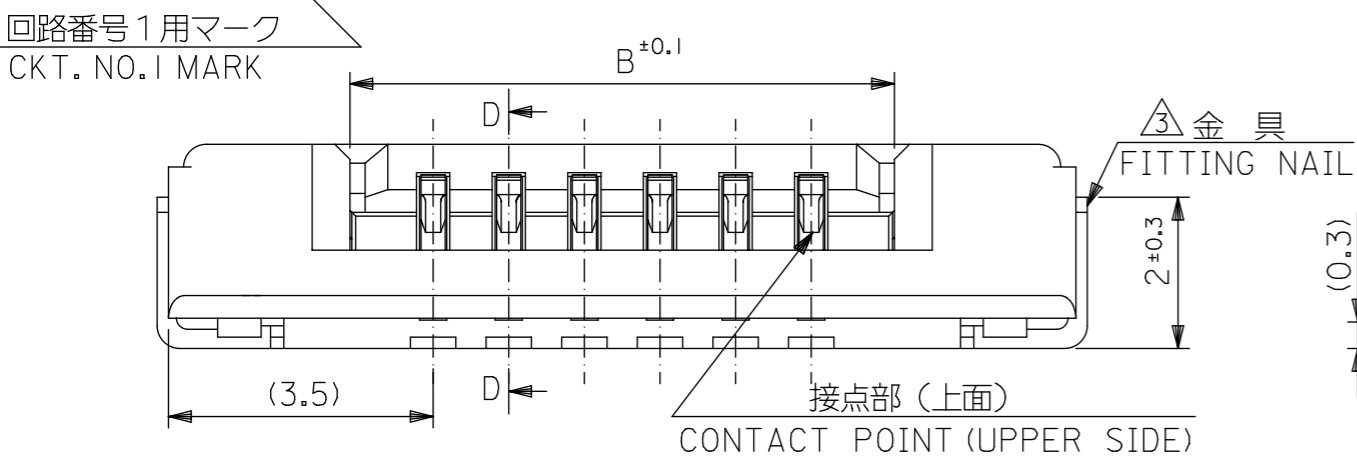
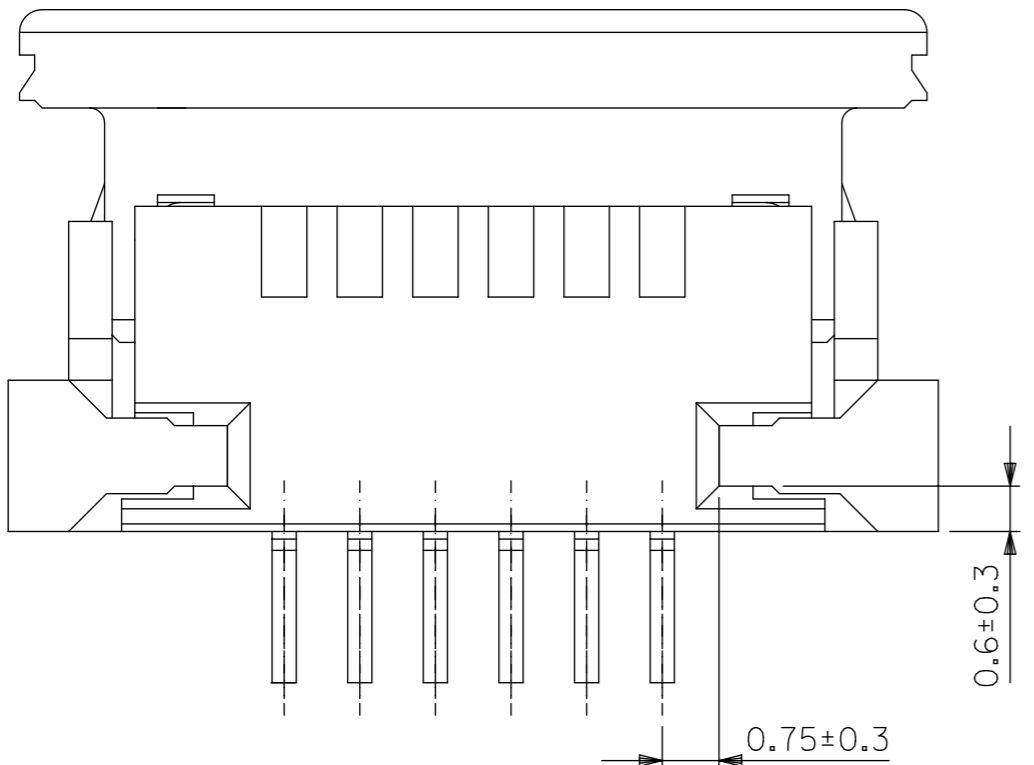


断面D-D  
SECT.D-D



|      |      |    |                            |             |
|------|------|----|----------------------------|-------------|
| 38.7 | 35.2 | 33 | 52207-3485                 | 34          |
| 34.7 | 31.2 | 29 | 52207-3085                 | 30          |
| 33.7 | 30.2 | 28 | 52207-2985                 | 29          |
| 32.7 | 29.2 | 27 | 52207-2885                 | 28          |
| 31.7 | 28.2 | 26 | 52207-2785                 | 27          |
| 30.7 | 27.2 | 25 | 52207-2685                 | 26          |
| 29.7 | 26.2 | 24 | 52207-2585                 | 25          |
| 28.7 | 25.2 | 23 | 52207-2485                 | 24          |
| 27.7 | 24.2 | 22 | 52207-2385                 | 23          |
| 26.7 | 23.2 | 21 | 52207-2285                 | 22          |
| 25.7 | 22.2 | 20 | 52207-2185                 | 21          |
| 24.7 | 21.2 | 19 | 52207-2085                 | 20          |
| 23.7 | 20.2 | 18 | 52207-1985                 | 19          |
| 22.7 | 19.2 | 17 | 52207-1885                 | 18          |
| 21.7 | 18.2 | 16 | 52207-1785                 | 17          |
| 20.7 | 17.2 | 15 | 52207-1685                 | 16          |
| 19.7 | 16.2 | 14 | 52207-1585                 | 15          |
| 18.7 | 15.2 | 13 | 52207-1485                 | 14          |
| 17.7 | 14.2 | 12 | 52207-1385                 | 13          |
| 16.7 | 13.2 | 11 | 52207-1285                 | 12          |
| 15.7 | 12.2 | 10 | 52207-1185                 | 11          |
| 14.7 | 11.2 | 9  | 52207-1085                 | 10          |
| 13.7 | 10.2 | 8  | 52207-0985                 | 9           |
| 12.7 | 9.2  | 7  | 52207-0885                 | 8           |
| 11.7 | 8.2  | 6  | 52207-0785                 | 7           |
| 10.7 | 7.2  | 5  | 52207-0685                 | 6           |
| 9.7  | 6.2  | 4  | 52207-0585                 | 5           |
| 8.7  | 5.2  | 3  | 52207-0485                 | 4           |
| 7.7  | 4.2  | 2  | 52207-0385                 | 3           |
| C    | B    | A  | EMBOSSED PACKAGE ORDER NO. | 極数 CIRCUITS |



GENERAL TOLERANCES (UNLESS SPECIFIED)

|  |       |
|--|-------|
| 10 <sup>UNDER</sup>                    | ±0.2  |
| 10 <sup>OVER</sup> 30 <sup>UNDER</sup> | ±0.25 |
| 30 <sup>OVER</sup>                     | ±0.3  |
| ANGULAR                                | ±3°   |

THIS DRAWING CONTAINS INFORMATION THAT IS PROPRIETARY TO MOLEX ELECTRONIC TECHNOLOGIES, LLC AND SHOULD NOT BE USED WITHOUT WRITTEN PERMISSION

mm NTS SCALE

GENERAL TOLERANCES (UNLESS SPECIFIED)

ANGULAR TOL ± °

4 PLACES ± °

3 PLACES ± °

2 PLACES ± °

1 PLACE ± °

0 PLACES ± °

DRAFT WHERE APPLICABLE MUST REMAIN WITHIN DIMENSIONS

THIRD ANGLE PROJECTION

DRAWING A3-SIZE

SERIES 52207

MATERIAL NUMBER SEE TABLE

CUSTOMER GENERAL MARKET

SHEET NUMBER 1 OF 2

EC NO: 719890

DRWN: NARENC 2022/08/22

CHK'D: SMARUYAMA 2022/09/05

APPR: YNAITO 2022/09/05

INITIAL REVISION:

DRWN: MNINOMIYA 2004/02/18

APPR: MSASAO 2004/02/18

DOCUMENT NUMBER SD-52207-060

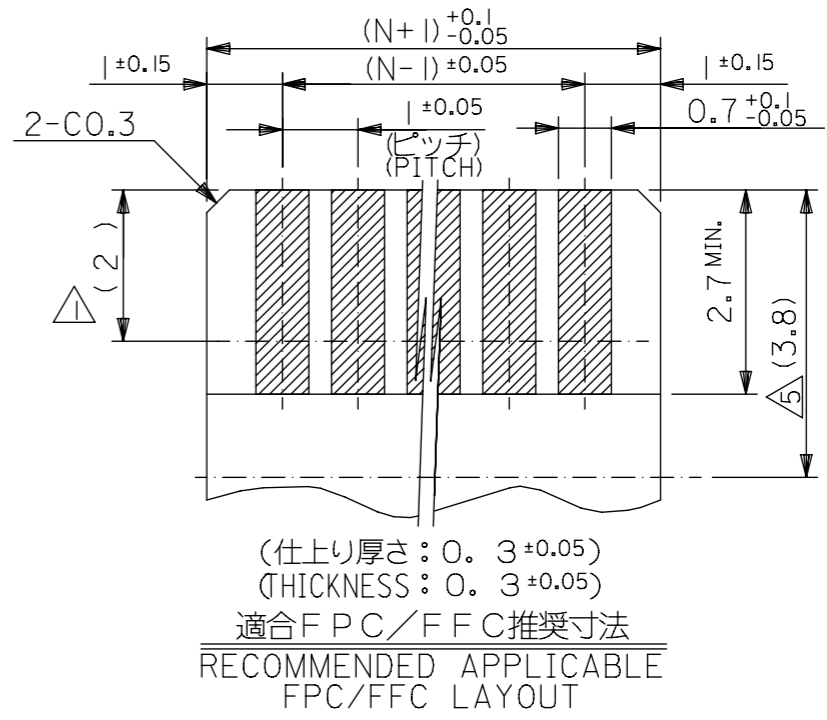
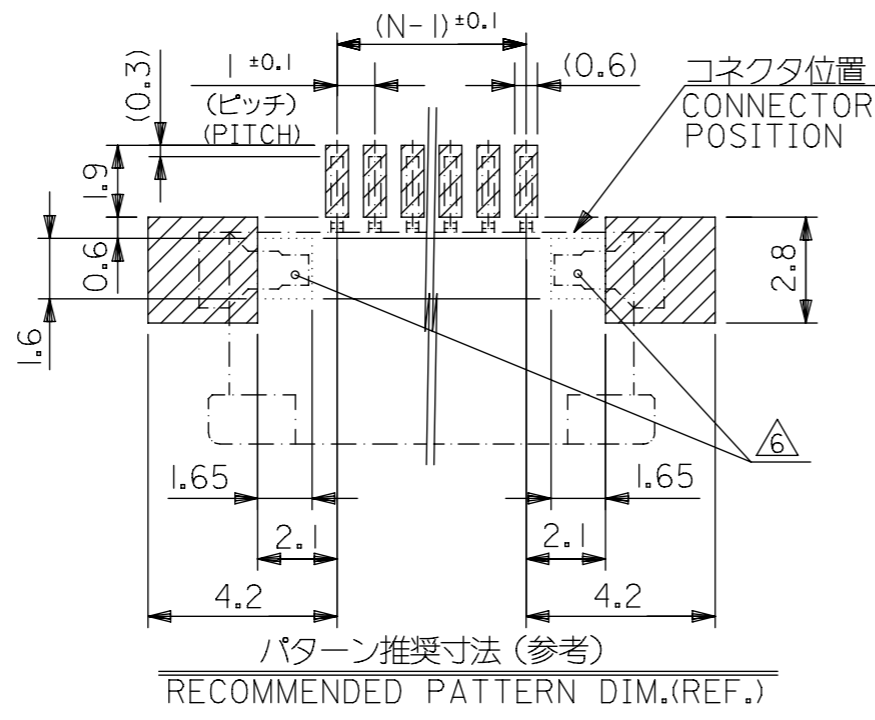
DOC TYPE PSD

DOC PART 001

REVISION F

PRODUCT CUSTOMER DRAWING

1.0 PITCH FPC CONN. ZIF SMT -LEAD FREE-



注記 NOTES

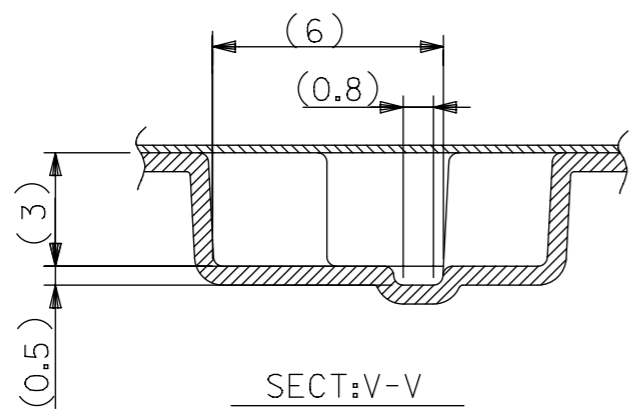
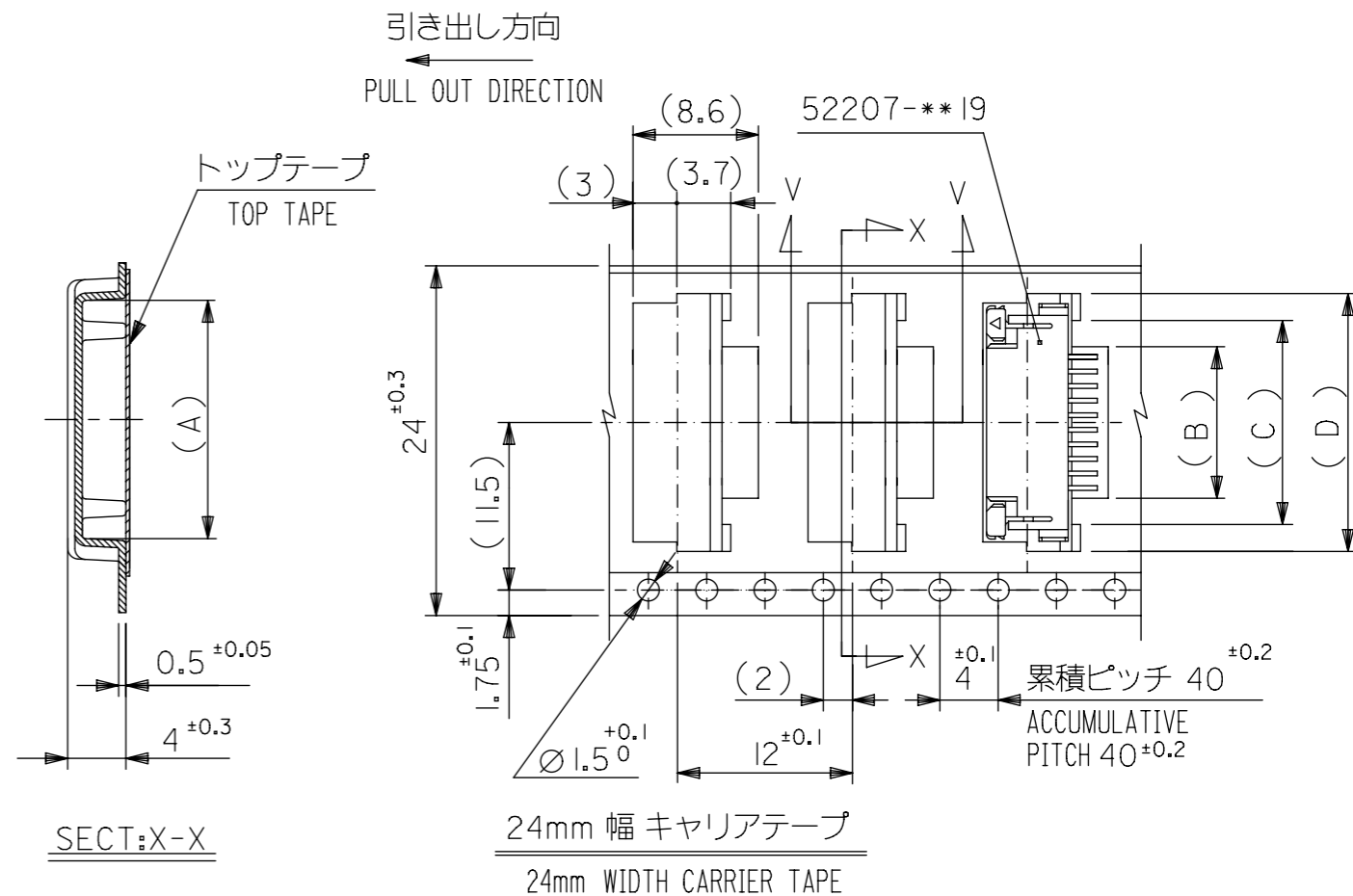
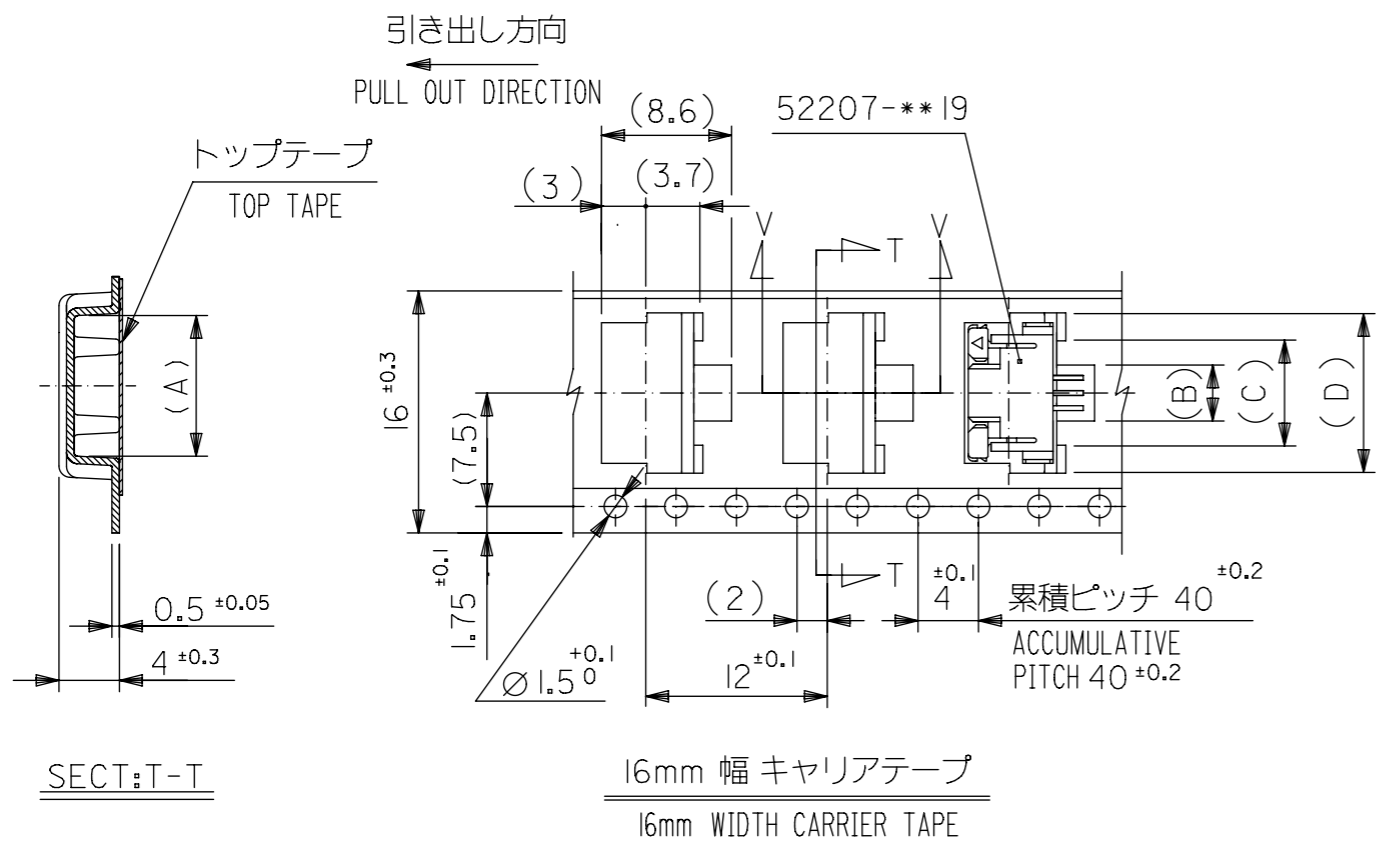
- △ 接点部までの嵌合長さ。  
LENGTH TO CONTACT POINT.
- 2. 使用材料 MATERIAL
  - ハウジング : 46ナイロン (耐熱性), UL94V-0  
HOUSING : 46NYLON, UL94V-0
  - アクチュエータ : PPS, UL94V-0  
ACTUATOR : PPS, UL94V-0
  - ターミナル : リン青銅  
TERMINAL : PHOSPHOR BRONZE
  - 錫・ビスマスマッキ 1.0マイクロメートル以上  
: TIN BISMUTH 1.0 MICROMETER MINIMUM
  - ニッケル下地 1.0マイクロメートル以上  
: NICKEL (UNDER PLATING) 1.0 MICROMETER MINIMUM
  - 銅合金
  - 金具 FITTING NAIL : COPPER ALLOY
  - 錫メッキ 1.0マイクロメートル以上  
: TIN 1.0 MICROMETER MINIMUM
  - ニッケル下地 1.0マイクロメートル以上  
: NICKEL (UNDER PLATING) 1.0 MICROMETER MINIMUM
- ③ パターンはくり止め用金具  
FITTING NAIL FOR PREVENTION OF PEELING OF P.C.B. PATTERN.
- 4. エンボステーブ梱包時は、アクチュエータがロックした状態とする。  
IN THE PACKAGE, ACTUATOR OF PART NO. 52207-\*\*-19 SHOULD BE LOCKED.
- △ ⑤ ケーブル挿入深さ  
INSERTION DEPTH OF CABLE.
- △ ⑥ パターン書き込み禁止エリア。  
NO FOOT PRINT AREA.
- 7. 本製品は 52207-\*\*-17 の鉛フリー品である。  
THIS PRODUCT IS LEAD FREE OF 52207-\*\*-17.
- 8. ELV及びRoHS適合品  
ELV AND RoHS COMPLIANT

FPCについて:

打抜き方向は導体側から補強板を推奨致します。  
補強フィルム材質はポリイミドを推奨致します。  
接着剤は熱硬化接着剤を推奨致します。

ABOUT FPC:  
RECOMMENDED PUNCHER DIRECTION : FROM CONDUCTOR SIDE TO STIFFENER BOARD SIDE.  
RECOMMENDED MATERIAL :  
STIFFENER FILM : POLYIMIDE  
BONDING AGENT : THERMOSETTING BONDING AGENT

|   |       |                   |            |  |  |
|---|-------|-------------------|------------|--|--|
| THIS DRAWING CONTAINS INFORMATION THAT IS PROPRIETARY TO MOLEX ELECTRONIC TECHNOLOGIES, LLC AND SHOULD NOT BE USED WITHOUT WRITTEN PERMISSION |       | CURRENT REV DESC: |            | <b>molex</b>                               |  |
| DIMENSION UNITS   | SCALE |                   |            |  |  |
| mm  | NTS   |                   |            | 1.0 PITCH FPC CONN.<br>ZIF SMT -LEAD FREE- |  |
| GENERAL TOLERANCES (UNLESS SPECIFIED)   |       | ANGULAR TOL ± °   |            | PRODUCT CUSTOMER DRAWING                   |  |
| 4 PLACES  | ±     | EC NO: 719890     | 2022/08/22 | DOCUMENT NUMBER                            |  |
| 3 PLACES  | ±     | DRWN: NARENC      | 2022/09/05 | DOC TYPE DOC PART REVISION                 |  |
| 2 PLACES  | ±     | CHK'D: SMARUYAMA  | 2022/09/05 | SD-52207-060                               |  |
| 1 PLACE   | ±     | APPR: YNAITO      | 2022/09/05 | PSD 001 F                                  |  |
| 0 PLACES  | ±     | INITIAL REVISION: |            | MATERIAL NUMBER                            |  |
| DRAFT WHERE APPLICABLE MUST REMAIN WITHIN DIMENSIONS  |       | DRWN: MNINOMIYA   | 2004/02/18 | CUSTOMER                                   |  |
| THIRD ANGLE PROJECTION  |       | APPR: MSASAO      | 2004/02/18 | GENERAL MARKET                             |  |
| DRAWING   |       | SERIES            |            | SHEET NUMBER                               |  |
| A3-SIZE   |       | 52207             |            | 2 OF 2                                     |  |



|             |                                |      |      |      |     |      |      |              |            |
|-------------|--------------------------------|------|------|------|-----|------|------|--------------|------------|
|             |                                |      |      | 18.5 | 15  | 11.7 | 17.3 | 52207-1185   | 11         |
|             |                                |      |      | 17.5 | 14  | 10.7 | 16.3 | 4 -1085      | 10         |
|             |                                |      |      | 16.5 | 13  | 9.7  | 15.3 | -0985        | 9          |
|             |                                |      |      | 15.5 | 12  | 8.7  | 14.3 | -0885        | 8          |
|             |                                |      |      | 14.5 | 11  | 7.7  | 13.3 | -0785        | 7          |
|             |                                |      |      | 13.5 | 10  | 6.7  | 12.3 | -0685        | 6          |
|             |                                |      |      | 12.5 | 9   | 5.7  | 11.3 | -0585        | 5          |
|             |                                |      |      | 11.5 | 8   | 4.7  | 10.3 | ▽ -0485      | 4          |
| 52207-***85 | 16                             | 21.4 | 17.4 | 10.5 | 7   | 3.7  | 9.3  | 52207-0385   | 3          |
| MODEL NO.   | キャリアテープ幅<br>CARRIER TAPE WIDTH | H    | E    | (D)  | (C) | (B)  | (A)  | MATERIAL NO. | 極数<br>CKT. |

THIS DRAWING CONTAINS INFORMATION THAT IS PROPRIETARY TO MOLEX ELECTRONIC TECHNOLOGIES, LLC AND SHOULD NOT BE USED WITHOUT WRITTEN PERMISSION

|                 |       |                   |
|-----------------|-------|-------------------|
| DIMENSION UNITS | SCALE | CURRENT REV DESC. |
| mm              | NTS   |                   |

GENERAL TOLERANCES (UNLESS SPECIFIED)

|             |   |   |
|-------------|---|---|
| ANGULAR TOL | ± | ° |
| 4 PLACES    | ± |   |
| 3 PLACES    | ± |   |
| 2 PLACES    | ± |   |
| 1 PLACE     | ± |   |
| 0 PLACES    | ± |   |

EC NO: 719890  
 DRWN: NARENC 2022/08/22  
 CHK'D: SMARUYAMA 2022/09/05  
 APPR: YNAITO 2022/09/05

INITIAL REVISION:  
 DRWN: MNINOMIYA 2004/02/18  
 APPR: MSASAO 2004/02/18

DRAFT WHERE APPLICABLE MUST REMAIN WITHIN DIMENSIONS

THIRD ANGLE PROJECTION

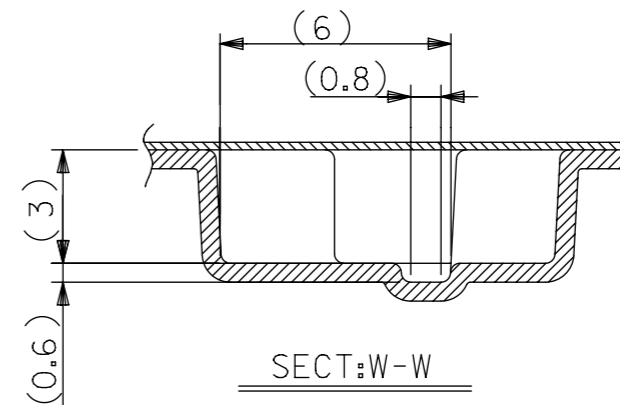
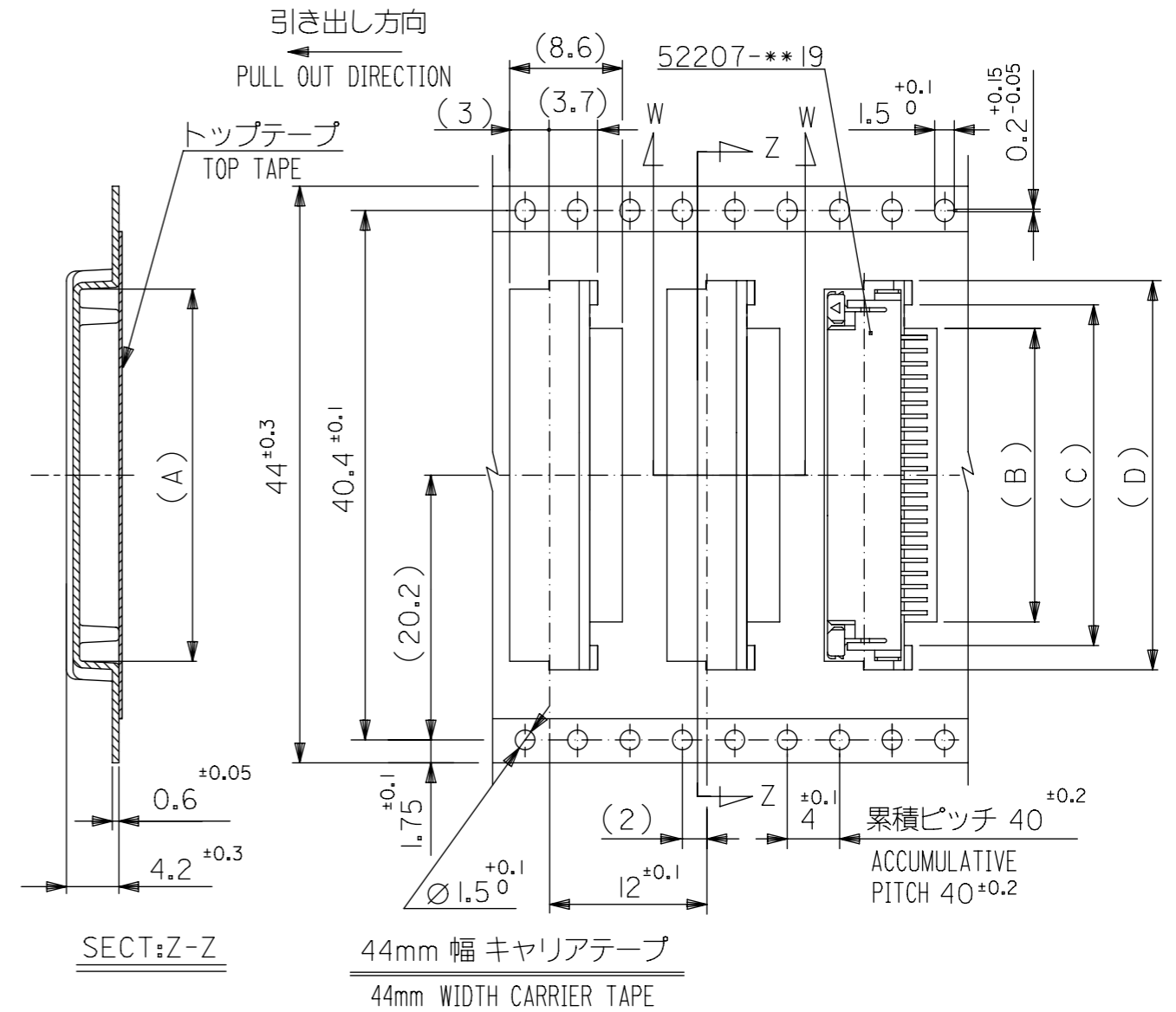
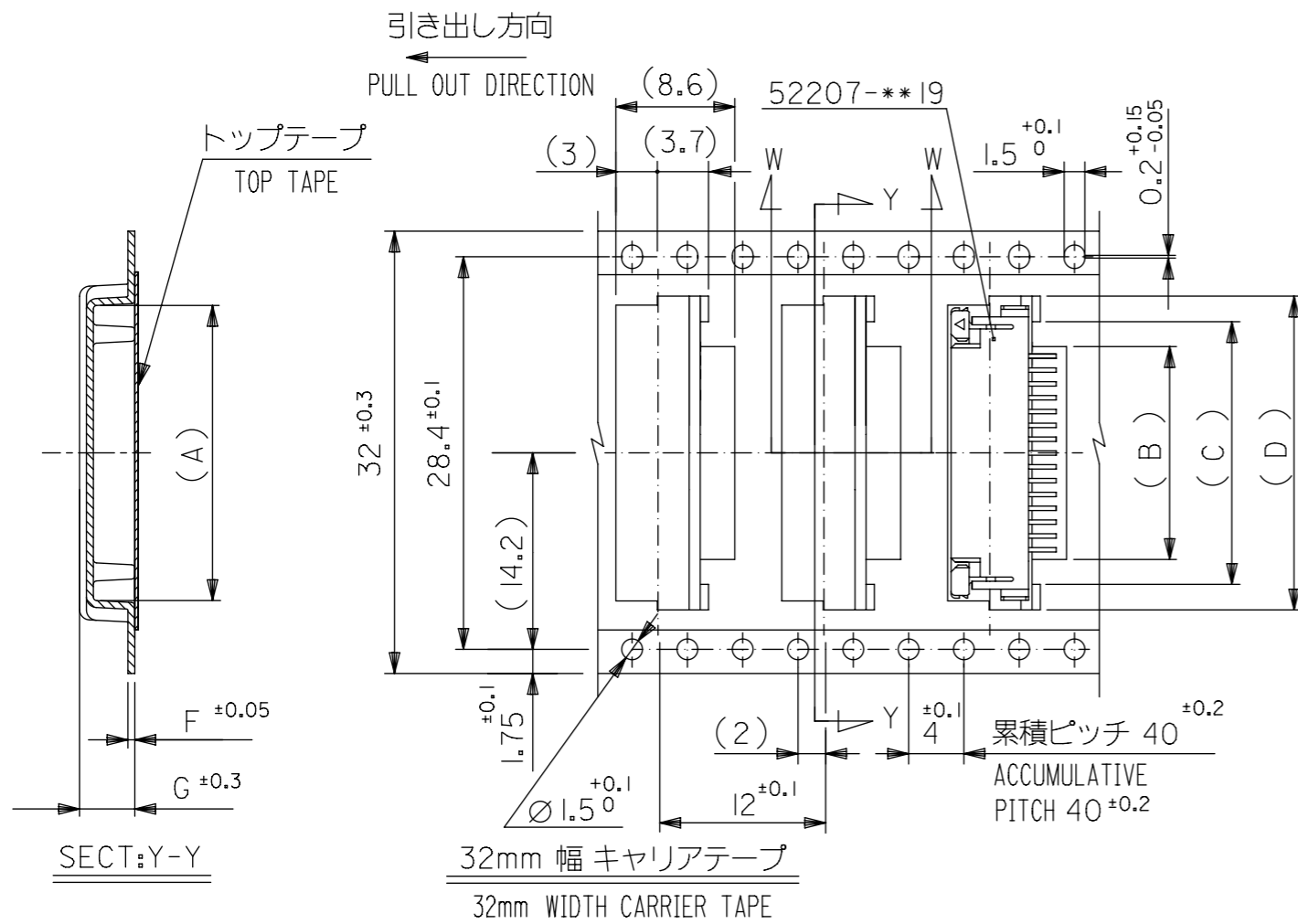
DRAWING SERIES MATERIAL NUMBER CUSTOMER SHEET NUMBER  
 A3-SIZE 52207 SEE TABLE GENERAL MARKET 1 OF 3

**molex**

EMBOSSSED TAPE PACKAGE FOR 52207-\*\*\*19 -LEAD FREE-

PRODUCT CUSTOMER DRAWING

DOCUMENT NUMBER: SD-52207-061  
 DOC TYPE: PSD  
 DOC PART: 001  
 REVISION: D



|                                |      |      |     |     |      |     |      |       |              |            |
|--------------------------------|------|------|-----|-----|------|-----|------|-------|--------------|------------|
| 32                             | 37.4 | 33.4 | 4.0 | 0.5 | 23.5 | 20  | 16.7 | 22.35 | 52207-1685   | 16         |
|                                |      |      | 4.2 | 0.6 | 22.5 | 19  | 15.7 | 21.35 | 4-1585       | 15         |
|                                |      |      | 4.2 | 0.6 | 21.5 | 18  | 14.7 | 20.35 | -1485        | 14         |
|                                |      |      | 4.2 | 0.6 | 20.5 | 17  | 13.7 | 19.35 | 7-1385       | 13         |
|                                |      |      | 4.2 | 0.6 | 19.5 | 16  | 12.7 | 18.35 | 52207-1285   | 12         |
| キャリアテープ幅<br>CARRIER TAPE WIDTH | H    | E    | (G) | (F) | (D)  | (C) | (B)  | (A)   | MATERIAL NO. | 極数<br>CKT. |

|                                |      |      |       |            |      |       |              |            |
|--------------------------------|------|------|-------|------------|------|-------|--------------|------------|
| 44                             | 49.4 | 45.4 | 34.5  | 31         | 27.7 | 33.35 | 52207-2785   | 27         |
|                                |      |      | 33.5  | 30         | 26.7 | 32.35 | 4-2685       | 26         |
|                                |      |      | 32.5  | 29         | 25.7 | 31.35 | -2585        | 25         |
|                                |      |      | 31.5  | 28         | 24.7 | 30.35 | -2485        | 24         |
|                                |      |      | 30.5  | 27         | 23.7 | 29.35 | -2385        | 23         |
|                                |      |      | 29.5  | 26         | 22.7 | 28.35 | -2285        | 22         |
|                                |      |      | 28.5  | 25         | 21.7 | 27.35 | -2185        | 21         |
|                                |      |      | 27.5  | 24         | 20.7 | 26.35 | -2085        | 20         |
|                                |      |      | 26.5  | 23         | 19.7 | 25.35 | -1985        | 19         |
|                                |      |      | 25.5  | 22         | 18.7 | 24.35 | 7-1885       | 18         |
| 24.5                           | 21   | 17.7 | 23.35 | 52207-1785 | 17   |       |              |            |
| キャリアテープ幅<br>CARRIER TAPE WIDTH | H    | E    | (D)   | (C)        | (B)  | (A)   | MATERIAL NO. | 極数<br>CKT. |

|                 |    |              |            |          |
|-----------------|----|--------------|------------|----------|
| DOCUMENT STATUS | P1 | RELEASE DATE | 2022/09/05 | 05:51:49 |
|-----------------|----|--------------|------------|----------|

|   |       |                             |         |   |                 |
|---|-------|-----------------------------|---------|---|-----------------|
| THIS DRAWING CONTAINS INFORMATION THAT IS PROPRIETARY TO MOLEX ELECTRONIC TECHNOLOGIES, LLC AND SHOULD NOT BE USED WITHOUT WRITTEN PERMISSION |       | CURRENT REV DESC:           |         |   |                 |
| DIMENSION UNITS   | SCALE | EC NO: 719890               |         |   |                 |
| mm  | NTS   | DRWN: NARENC 2022/08/22     |         | EMBOSSSED TAPE PACKAGE FOR 52207-19 -LEAD FREE- |                 |
| GENERAL TOLERANCES (UNLESS SPECIFIED)   |       | CHK'D: SMARUYAMA 2022/09/05 |         | PRODUCT CUSTOMER DRAWING                        |                 |
| 10 <sup>UNDER</sup>   | ±0.2  | APPR: YNAITO 2022/09/05     |         | DOCUMENT NUMBER                                 |                 |
| 10 <sup>OVER</sup> 30 <sup>UNDER</sup>  | ±0.25 | INITIAL REVISION:           |         | SD-52207-061                                    |                 |
| 30 <sup>OVER</sup>  | ±0.3  | DRWN: MNINOMIYA 2004/02/18  |         | DOC TYPE DOC PART REVISION                      |                 |
| ANGULAR   | ±3°   | APPR: MSASAO 2004/02/18     |         | PSD 001 D                                       |                 |
| DRAFT WHERE APPLICABLE MUST REMAIN WITHIN DIMENSIONS  |       | THIRD ANGLE PROJECTION      | DRAWING | SERIES  | MATERIAL NUMBER |
|   |       |                             | A3-SIZE | 52207   | CUSTOMER        |
|   |       |                             |         | SEE TABLE                                       | GENERAL MARKET  |
|   |       |                             |         | SHEET NUMBER                                    |                 |
|   |       |                             |         | 2 OF 3  |                 |

