

PART  
NAME

BATTERY CLIP- 9V

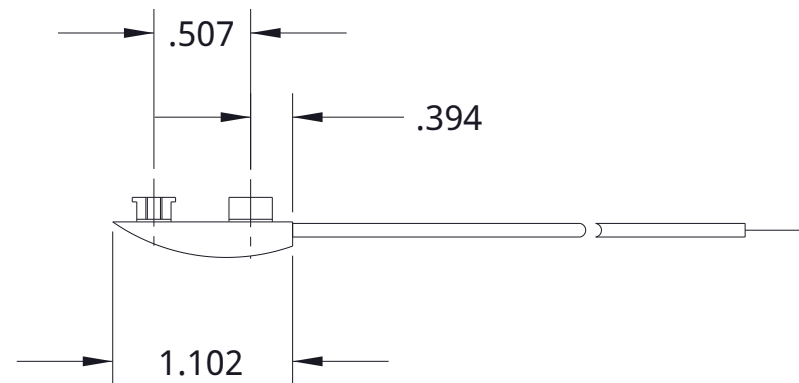
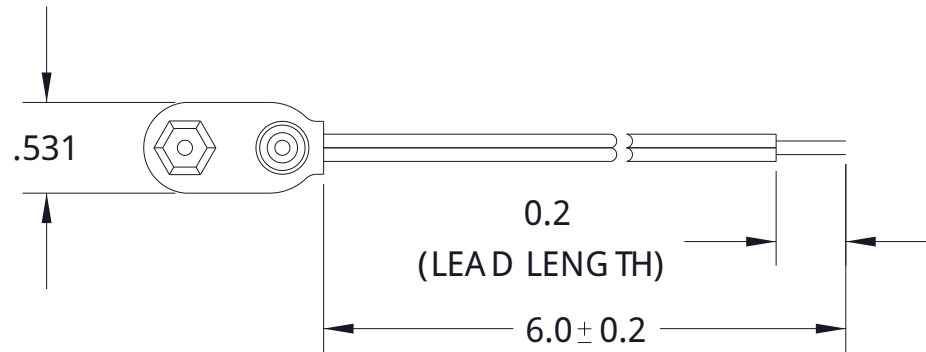
PART  
No.

HH-3449

REVISION  
DATE

08MAY07

MATERIAL: FLEXIBLE VINYL



ALL TOLERANCES ARE  $\pm 0.015$  UNLESS OTHERWISE SPECIFIED.