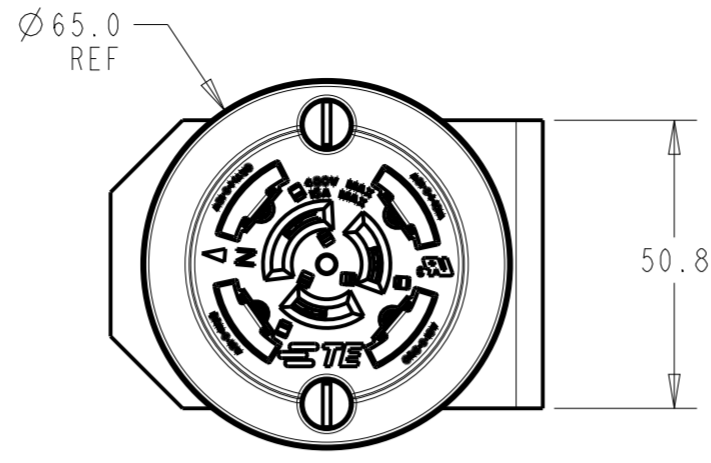


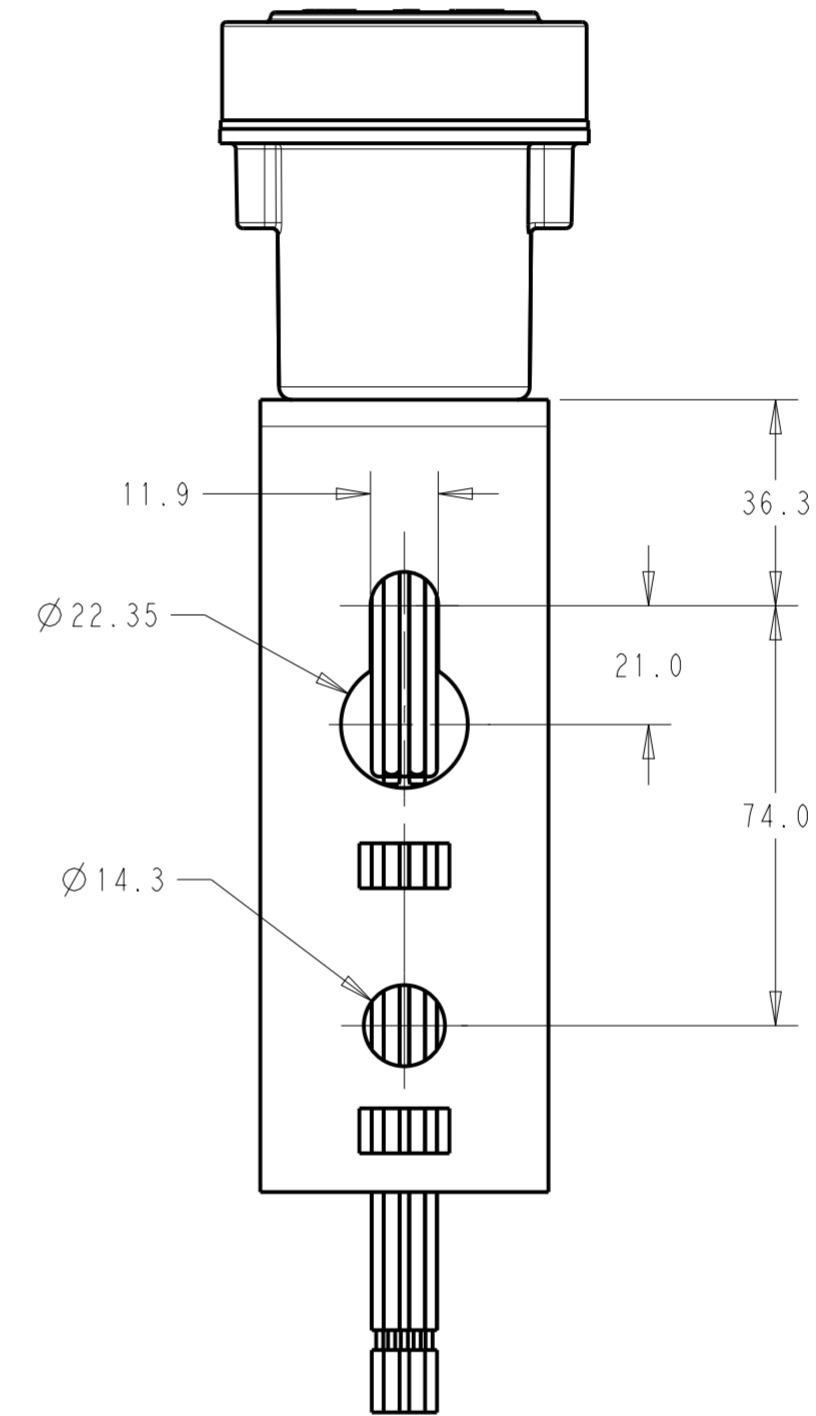
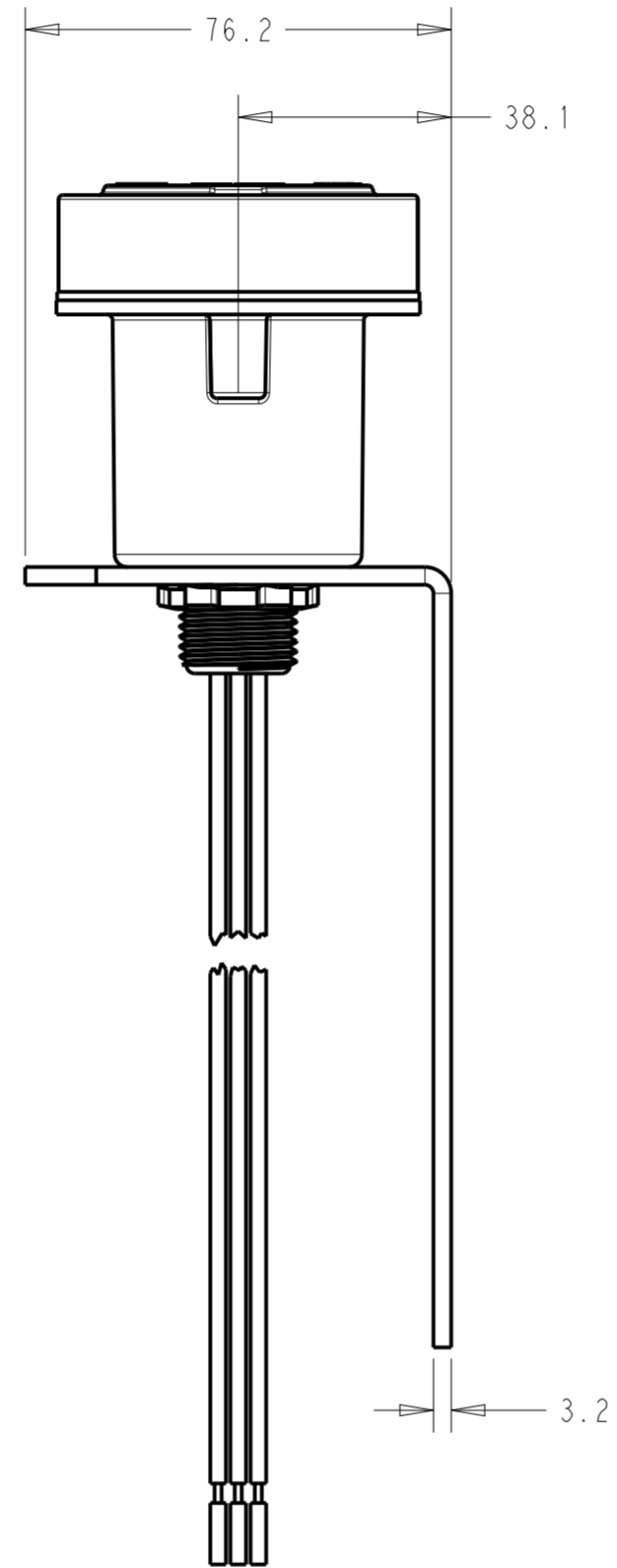
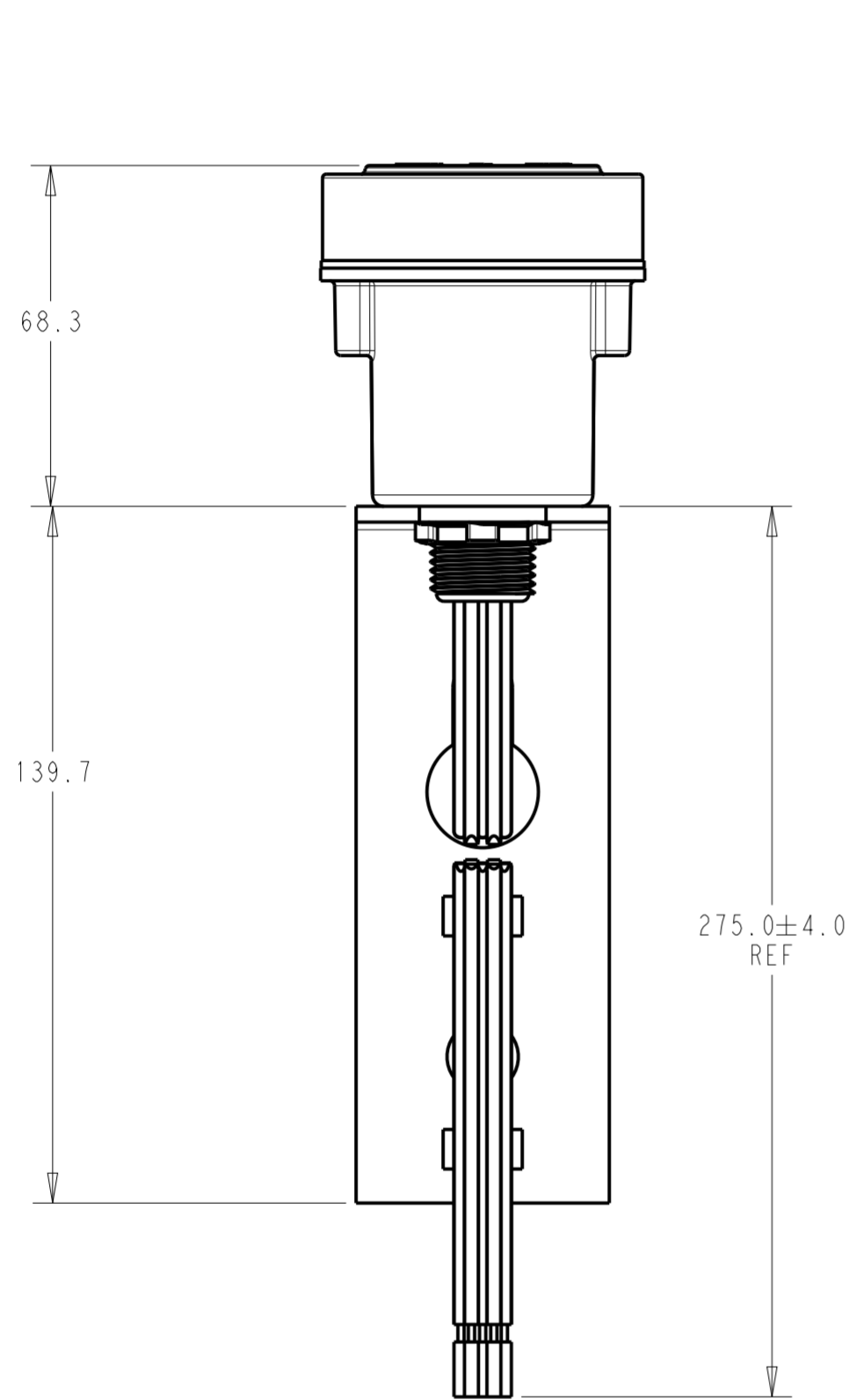
P	LTR	DESCRIPTION	DATE	DWN	APVD
A		ECR-21-104569	08JUN2021	CD	CD



2363929-3 SHOWN

- 1 MATERIALS AND FINISH:
 -DIMMING RECEPTACLE: SEE TE P/N
 -GASKET: RUBBER
 -BRACKET: ALUMINUM
 -HOUSING: ALUMINUM
 -LOCKNUT: ZINC ALLOY

2. MUST COMPLY WITH DIRECTIVE 2002/95/EC (ROHS)



1-2213627-8	ROTATABLE DIMMING RECEPTACLE, 7 POSITION	1-2363929-3
1-2213627-7	ROTATABLE DIMMING RECEPTACLE, 5 POSITION	1-2363929-2
1-2213627-9	ROTATABLE DIMMING RECEPTACLE, 3 POSITION	1-2363929-1
2213362-4	DIMMING RECEPTACLE, 7 POSITION	2363929-3
2213362-3	DIMMING RECEPTACLE, 5 POSITION	2363929-2
6-2213362-1	DIMMING RECEPTACLE, 3 POSITION	2363929-1
REFERENCE RECEPTACLE P/N	DESCRIPTION	PART NO.

THIS DRAWING IS A CONTROLLED DOCUMENT.		DWN C. DAILY 11OCT2019	STE TE Connectivity																						
		CHK M. STOLLER 11OCT2019																							
DIMENSIONS: mm		TOLERANCES UNLESS OTHERWISE SPECIFIED:		NAME BRACKETED ASSEMBLY, ENDURANCE N RECEPTACLE																					
<table border="1"> <tr><td>0 PLC</td><td>±</td><td>-</td></tr> <tr><td>1 PLC</td><td>±0.2</td><td></td></tr> <tr><td>2 PLC</td><td>±0.13</td><td></td></tr> <tr><td>3 PLC</td><td>±</td><td></td></tr> <tr><td>4 PLC</td><td>±</td><td></td></tr> <tr><td>ANGLES</td><td>±1°</td><td></td></tr> <tr><td>FINISH</td><td>-</td><td></td></tr> </table>		0 PLC	±	-	1 PLC	±0.2		2 PLC	±0.13		3 PLC	±		4 PLC	±		ANGLES	±1°		FINISH	-		PRODUCT SPEC 108-32059	SIZE A2	CAGE CODE 00779
0 PLC	±	-																							
1 PLC	±0.2																								
2 PLC	±0.13																								
3 PLC	±																								
4 PLC	±																								
ANGLES	±1°																								
FINISH	-																								
MATERIAL		APPLICATION SPEC 114-32115	DRAWING NO C-2363929	RESTRICTED TO -																					
		WEIGHT -	SCALE 3:4	SHEET 1 OF 1																					
		CUSTOMER DRAWING	REV A																						