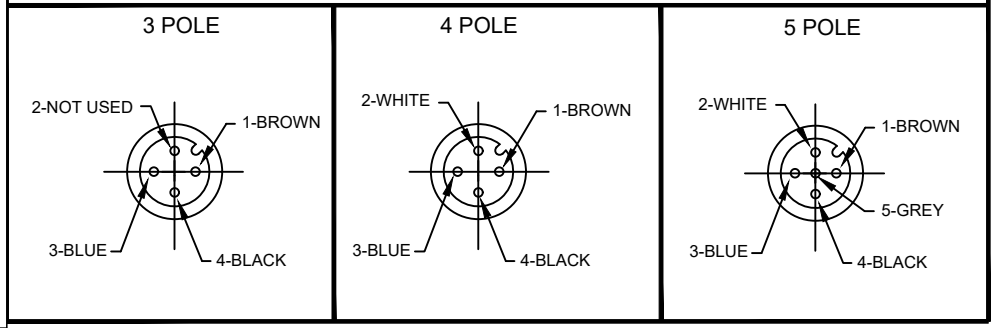
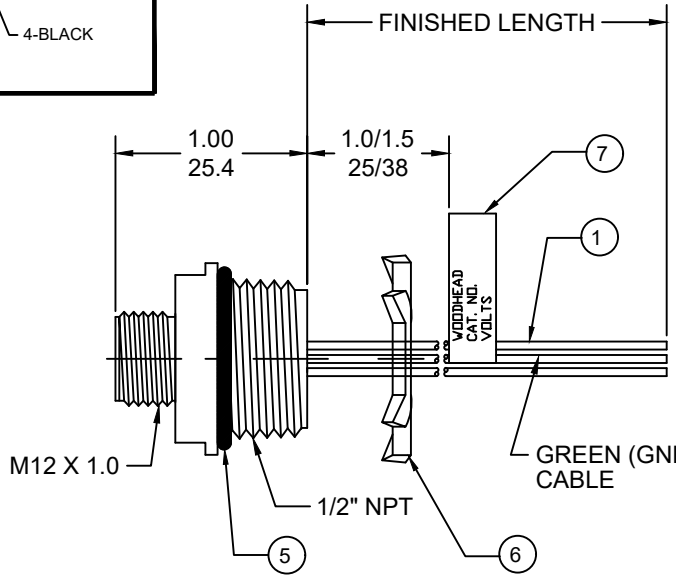
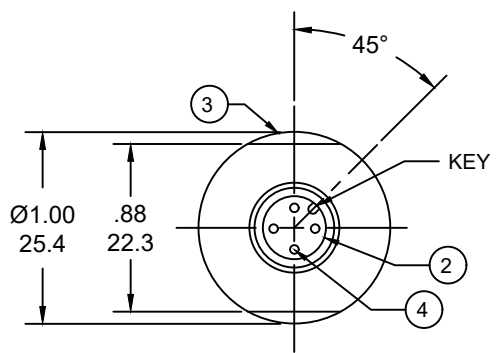


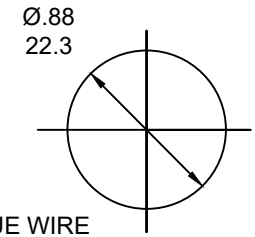
FRONT VIEW - MALE INSERT CONFIGURATION CHART



SAP P/N #	ENGINEERING P/N	FINISHED LENGTH
1200700088	8R3006A16A120	12 IN [1FT]
1200700501	8R5006A16M030	3M [9FT 10 IN]
1200700546	8R4006A16M100	10M [32FT 10 IN]



KNOCKOUT HOLE



- NOTES:
- MATERIAL: AS NOTED
 - FINISH: AS NOTED
 - ELECTRICAL:
VOLTAGE: 3, 4 & 5P 250V
CURRENT: 4A
 - TEMP RATING: -20°C TO +105°C
 - PROTECTION: IP67 (WHEN MATED)
 - UL LISTED FILE: E152210
CSA CERTIFIED FILE: LR6837
 - ALL DIMENSIONS ARE FOR REFERENCE UNLESS TOLERANCED OR NOTED OTHERWISE

PART NO. MATRIX

8R5006A16M030

POLES (3, 4, 5)

LENGTH:
A120= 12 INCHES
M005= 0.5 METER
M010= 1 METER
M100= 10 METER

CABLE LENGTH TOLERANCES

>.3M [1FT]:	+19mm-0 [+1.75in-0]
.3 - .9M [1 - 3FT]:	+44.5mm-0 [+1.75in-0]
.9 - 1.8M [3 - 6FT]:	+55.6mm-0 [+2.19in-0]
1.8 - 3.7M [6 - 12FT]:	+88.9mm-0 [+3.50in-0]
3.7 - 7.3M [12 - 24FT]:	+165.1mm-0 [+6.50in-0]
7.3-14.6M [24 - 48FT]:	+317.5mm-0 [+12.50in-0]
14.6 - 30.5M [48-100FT]:	+622.3mm-0 [+24.50in-0]
OVER 30M [100FT]	+2% OF FINISHED LENGTH

PRE-RELEASE REFERENCE USE ONLY

ITEM	COMPONENT	MATERIAL	FINISH
7	LABEL	VINYL	BLACK/YELLOW
6	LOCKNUT	STEEL	ZINC PLATED
5	O-RING	NITRILE	BLACK
4	CONTACT SOCKET	COPPER ALLOY	GOLD OVER NICKEL
3	SHELL FM M12x1	ALUMINUM	BLACK ANODIZED
2	MALE INSERT	NYLON	BLACK
1	#18 WIRE UL1569	PVC	SEE FACE VIEW

THIS DRAWING CONTAINS INFORMATION THAT IS PROPRIETARY TO MOLEX ELECTRONIC TECHNOLOGIES, LLC AND SHOULD NOT BE USED WITHOUT WRITTEN PERMISSION

FUNCTIONAL SYMBOLS: $F_A=0$, $F_C=0$, $F_P=0$

DIVISIONAL SYMBOLS: $F_A=0$, $F_C=0$, $F_P=0$

GENERAL TOLERANCES (UNLESS SPECIFIED):

	mm	INCH
4 PLACES	±----	±----
3 PLACES	±----	±----
2 PLACES	±----	±0.01
1 PLACE	±0.3	±----
0 PLACES	±----	±----

ANGULAR TOL ± 2.0 °

DRAFT WHERE APPLICABLE MUST REMAIN WITHIN DIMENSIONS

THIRD ANGLE PROJECTION

DRAWING: A-SIZE

SERIES: 120070

DOCUMENT NUMBER: SD-120070-044

DOC TYPE: PSD

DOC PART: 001

REVISION: A3

PRODUCT CUSTOMER DRAWING

MOLEX MICRO-CHANGE RECEPTACLE, A-SIZE 3-5 POLE, MALE, STRAIGHT, SINGLE KEY, #18/3-5 AWG

EC NO: 643513
DRWN: ABENJAMINLW 2020/08/05
CHK'D: RSTONE 2020/08/28
APPR: ----

INITIAL REVISION:
DRWN: RSTONE 2012/11/07
APPR: JFMURPHY 2013/02/07

MATERIAL NUMBER: SEE CHART
CUSTOMER: GENERAL MARKET
SHEET NUMBER: 1 OF 1

DOCUMENT STATUS	RV	RELEASE DATE	2020/08/28	17:02:28
-----------------	----	--------------	------------	----------