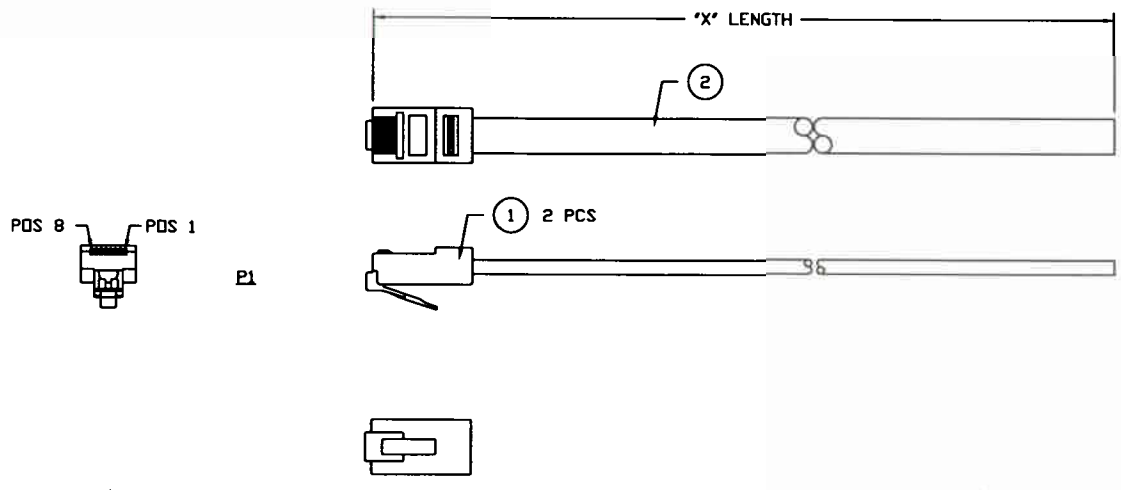


THESE DRAWINGS AND SPECIFICATIONS ARE THE SOLE PROPERTY OF I/O INTERCONNECT, INC., U.S.A. AND SHALL NOT BE REPRODUCED, COPIED, OR USED IN ANY MANNER WITHOUT THE PRIOR WRITTEN CONSENT OF I/O INTERCONNECT, INC. OR ITS AFFILIATED SUBSIDIARIES.

DWG. NO.	ZONE	REV.	DESCRIPTION	DATE	APPROVED
XXB-522-D		C	ECN C285	08/21/01	K.C.
		D	ADD NOTE & CHANGE P/N TO ROHS COMPLIANT PER ECN D831	04/21/05	M.G.



**WIRE DIAGRAM**

P1	OPEN END
1	GRAY
2	ORANGE
3	BLACK
4	RED
5	GREEN
6	YELLOW
7	BLUE
8	BROWN

**NOTES: UNLESS OTHERWISE SPECIFIED.**

- CABLE TO BE BUNDLED AND TWIST TIED.
- TEST CABLE FOR ALL OPENS & SHORTS.
- PACKAGE CABLE ASSEMBLY INDIVIDUALLY IN PLASTIC BAG. PACKAGE INDIVIDUAL BAG PER LOT NUMBER QUANTITIES.
- MARK OUTSIDE OF SHIPPING BOX WITH CUSTOMER PART NUMBER.
- PLACE BAR CODE LABEL ON THE OUTSIDE OF EACH SHIPPING BOX LABEL DETAIL SEE DWG 090-990-001.
- ALL MATERIAL SHOULD BE ROHS COMPLIANT.

ITEM	QTY	MFG.	IDI PART NO.	DESCRIPTION
2	'X'	IDI	GLF-120-810-020	MODULAR CABLE, 26 AWG (7/34) BARE COPPER, 8 CONDUCTOR, UNSHIELDED, WHITE PVC. ROHS COMPLIANT.
1	1 PC	IDI	GLF-325-881-50X	CONNECTOR, MODULAR PLUG, 8 POSITION, 8 CONDUCTOR, 50' AW, FLAT TYPE EXIT. ROHS COMPLIANT.

**CABLE ASSEMBLY PARTS LIST**

T.B.D.	GLF-488-258-522-D	25.0 FT ± 4.0 IN 7.62 M ± 101.6 MM
H3881-14-ND	GLF-488-148-522-D	14.0 FT ± 3.0 IN 4.27 M ± 76.2 MM
H3881-07-ND	GLF-488-078-522-D	7.0 FT ± 2.0 IN 2.13 M ± 50.8 MM
PART NUMBER DIGI-KEY	PART NUMBER I/O INTERCONNECT	LENGTH 'X'

THIRD ANGLE PROJECTION

**I/O INTERCONNECT**  
SANTA ANA, CALIFORNIA

DR. BY: JERRY BIRNBAUM  
DC. CHECKED: [ ]  
DATE: [ ]

TITLE: 8P8P MODULAR TO OPEN END WHITE, CABLE ASSEMBLY P/N: H3881-XX-ND

UNLESS OTHERWISE NOTED:  
1) DIMENSIONS ARE IN INCHES (MILLIMETER)  
2) TOLERANCES:  
X.XX ± 0.25 (6.35)

PART NO: GLF-488-XXB-522-D  
DWG NO: GLF-488-XXB-522-D  
CUSTOMER: DIGI-KEY  
SCALE: NONE  
SHEET 1 OF 1