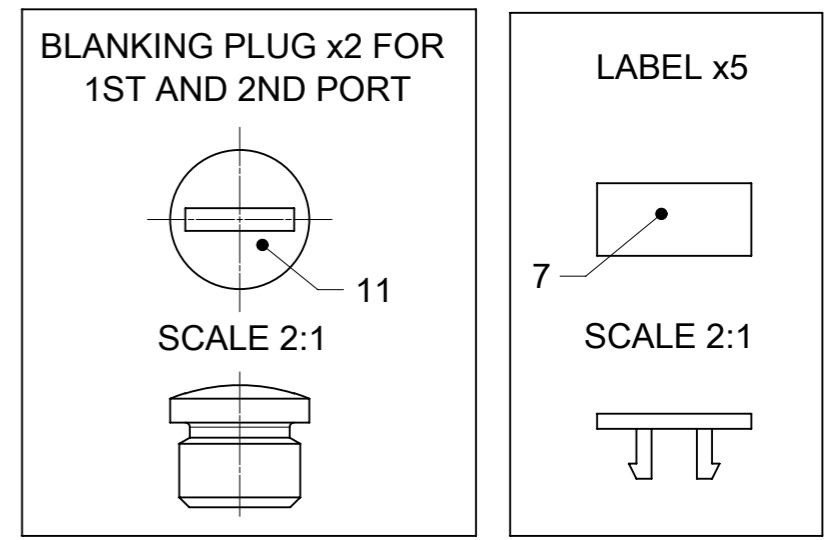


ELECTRICAL SPECIFICATION:

VOLTAGE : 10-30 VDC
CURRENT RATING : 2A PER PORT, 4A MAX.
PROTECTION CLASS : IP67

CUSTOMER PRODUCT APPROVAL
APPROVED BY: _____
DATE: _____
MUST BE SIGNED AND RETURNED BEFORE
PRODUCTION WILL BEGIN



BILL OF MATERIALS

ITEM	QTY.	DESCRIPTION	MATERIAL	FINISH/COLOR
1	1	CORDSET 5P MA DEVICENET	-	-
2	1	CABLE PLATE	ULTRADUR B4406 G2	YELLOW
3	4	RECEPTACLE SHELL	CZ121 Pb3	BRIGHT NICKEL PLATED
4	4	FEMALE INSERT	PUR	BLACK
5	20	CONTACT FEMALE	BRASS	GOLD OVER Ni- PLATED
6	1	GREEN LED	GRILLAMID TR 55 LX NATURAL	TRANSPARENT
7	5	LABEL	PVC	WHITE
8	1	MPIS HOUSING	PBT	YELLOW
9	4	GASKET	FKM	RED
10	4	MPIS-LED LENS	ULTRADUR B4406 G2	YELLOW
11	2	BLANKING PLUG - M8 MALE	DURETHAN B30S	BLACK

SYMBOLS THIS DRAWING CONTAINS INFORMATION THAT IS PROPRIETARY TO MOLEX ELECTRONIC TECHNOLOGIES, LLC AND SHOULD NOT BE USED WITHOUT WRITTEN PERMISSION DIMENSION UNITS: mm SCALE: 1:1 GENERAL TOLERANCES (UNLESS SPECIFIED): ANGULAR TOL: ± 2.0° 4 PLACES: ± 3 PLACES: ± 2 PLACES: ± 1 PLACE: ± 0.3 0 PLACES: ± DRAFT WHERE APPLICABLE MUST REMAIN WITHIN DIMENSIONS THIRD ANGLE PROJECTION DRAWING: A3-SIZE SERIES: 130038	CURRENT REV DESC: MIGRATED TO ECTR EC NO: 611500 DRWN: SSM 2019/01/31 CHK'D: RSILLER 2019/02/05 APPR: RSILLER 2019/02/05				
	INITIAL REVISION: DRWN: SSM 2019/01/31 APPR: RSILLER 2019/02/05				
	DOCUMENT NUMBER: 1300380028 DOC TYPE: PSD DOC PART: 000 REVISION: A		MATERIAL NUMBER: 1300380028 CUSTOMER: GENERAL MARKET SHEET NUMBER: 1 OF 2		

6

5

4

3

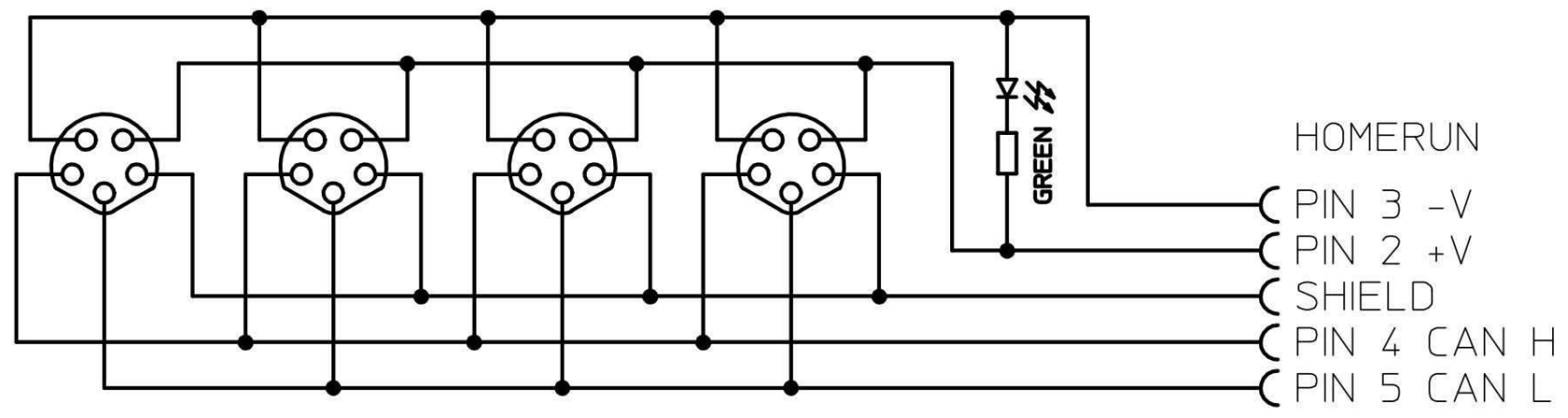
2

1

D

D

ELECTRICAL DIAGRAM

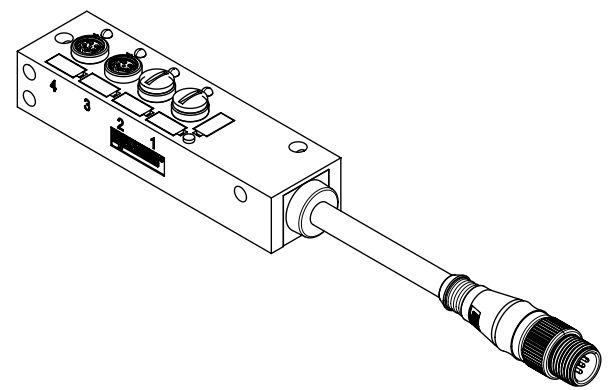


C

C

B

B



A

A

SYMBOLS	THIS DRAWING CONTAINS INFORMATION THAT IS PROPRIETARY TO MOLEX ELECTRONIC TECHNOLOGIES, LLC AND SHOULD NOT BE USED WITHOUT WRITTEN PERMISSION						
	DIMENSION UNITS	SCALE	CURRENT REV DESC: MIGRATED TO ECTR				
∇ = 0	mm	1:2	<p>molex</p> <p>MPIS M8 4 PORT D-NET M12 .3M LG</p> <p>PRODUCT CUSTOMER DRAWING</p> <p>DOCUMENT NUMBER: 1300380028 DOC TYPE: PSD DOC PART: 000 REVISION: A</p> <p>MATERIAL NUMBER: 1300380028 CUSTOMER: GENERAL MARKET SHEET NUMBER: 2 OF 2</p>				
∇ = 0	GENERAL TOLERANCES (UNLESS SPECIFIED)						
∇ = 0	ANGULAR TOL \pm 2.0°						
∇ = 0	4 PLACES	\pm					
∇ = 0	3 PLACES	\pm					
∇ = 0	2 PLACES	\pm					
∇ = 0	1 PLACE	\pm 0.3					
∇ = 0	0 PLACES	\pm					
∇ = 0	DRAFT WHERE APPLICABLE MUST REMAIN WITHIN DIMENSIONS						
∇ = 0	THIRD ANGLE PROJECTION	DRAWING				SERIES	MATERIAL NUMBER
			A4-SIZE	130038	1300380028	GENERAL MARKET	2 OF 2

DOCUMENT STATUS	P1	RELEASE DATE	2019/02/05	14:04:52
-----------------	----	--------------	------------	----------

6

5

4

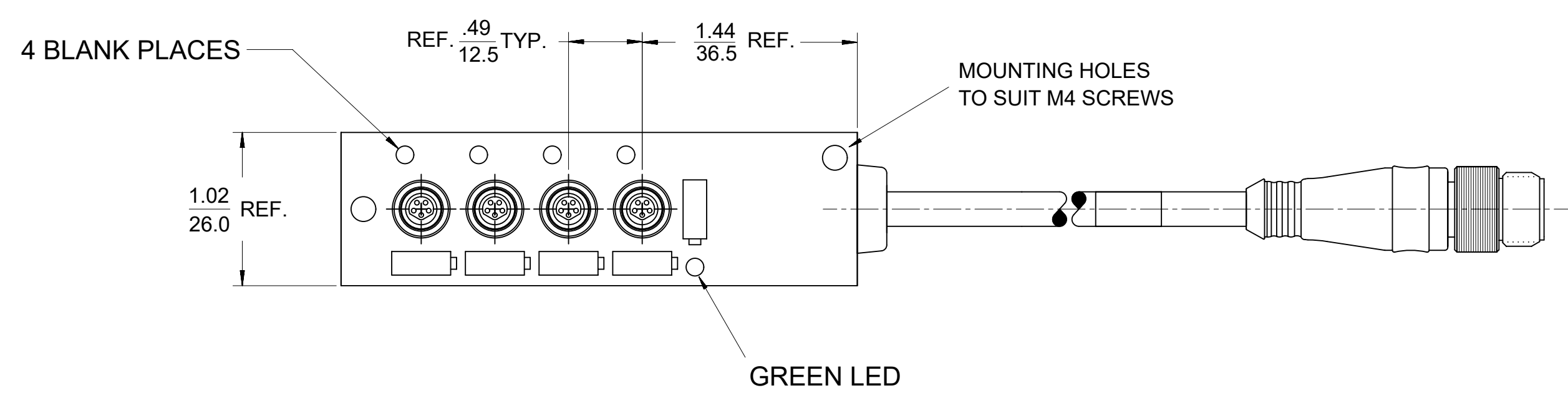
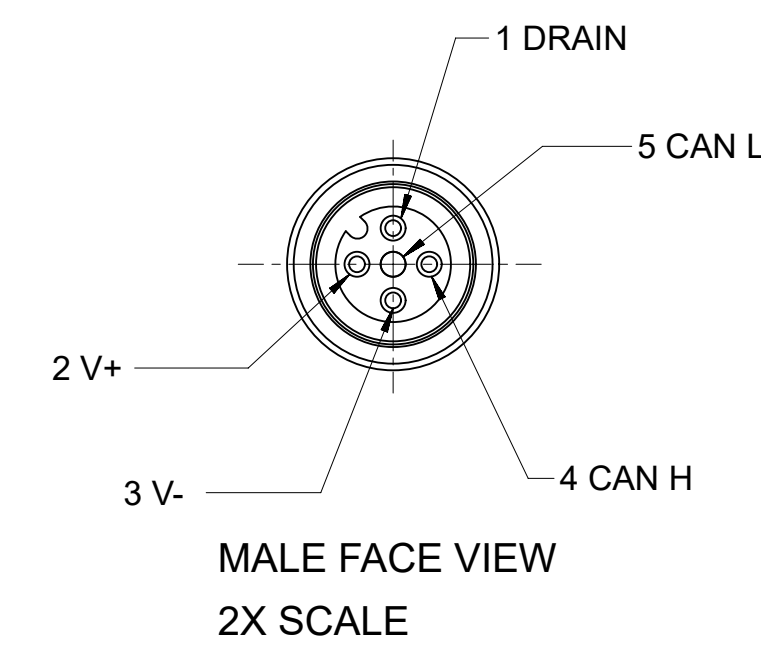
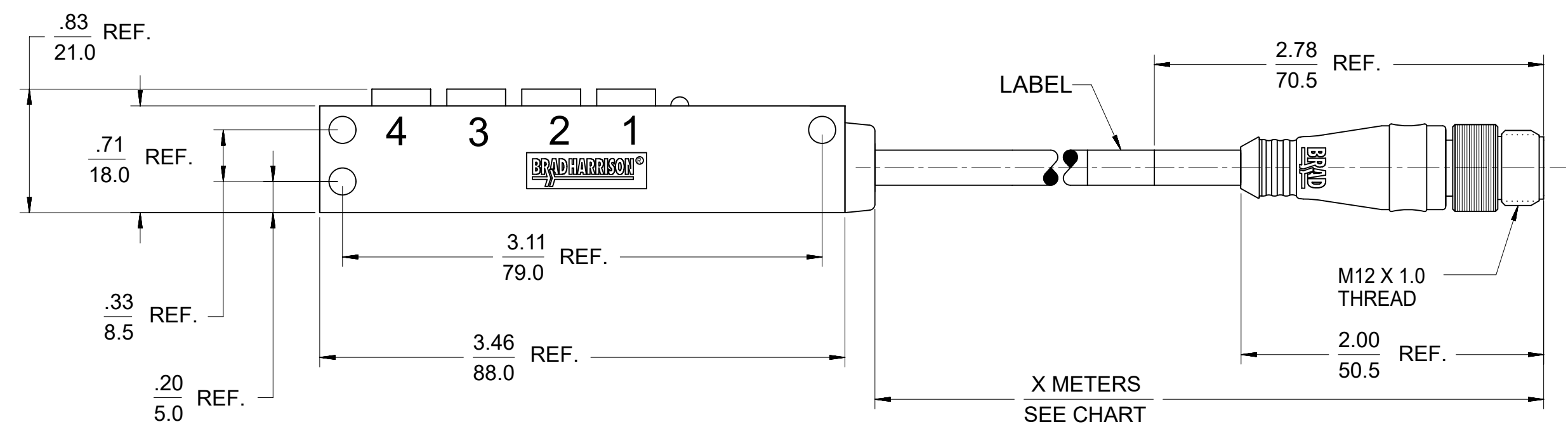
3

2

1

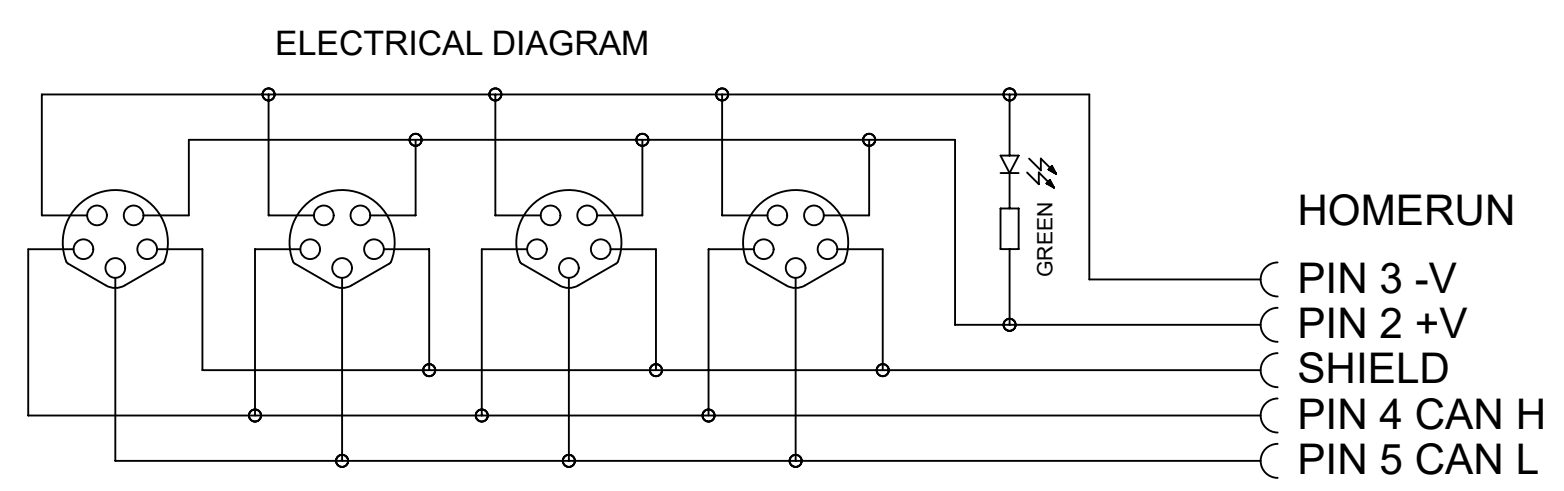
FORMAT: master-ib-prod-A4
REVISION: H
DATE: 2018/01/18

MATERIAL NO.	ENGINEERING P/N	LENGTH
1300380028	BG19378-M003	0.3M ±25mm



CUSTOMER PRODUCTION APPROVAL
 APPROVED BY: _____
 DATE: _____
 MUST BE SIGNED AND RETURNED BEFORE
 PRODUCTION WILL BEGIN.

SALES DRAWING



SPECIFICATION

MATERIALS MPIS UNIT:
 HOUSING : YELLOW PBT (GLASS FILLED)
 PORT RECEPTACLES: BRASS-NICKEL PLATED
 PORT INSERTS: PUR (GLASS FILLED)
 CONTACTS: BRASS, GOLD PLATE
 O-RING: VITON
 MATERIALS:HOME RUN CONNECTOR
 CABLE: DEVICENET MID PVC CABLE
 INSERT: BLACK NYLON
 BODY: GREY PVC
 CONTACT MATERIAL: BRASS
 CONTACT PLATING: GOLD OVER PALLADIUM/NICKEL
 COUPLING NUT: ZINC DIE CAST, EPOXY-COAT
 ELECTRICAL:
 VOLTAGE: 10-30VDC
 CURRENT RATING: 2A PER PORT, 4 AMPS MAX.
 PROTECTION CLASS: IP68

FUNCTIONAL SYMBOLS	THIS DRAWING CONTAINS INFORMATION THAT IS PROPRIETARY TO MOLEX ELECTRONIC TECHNOLOGIES, LLC AND SHOULD NOT BE USED WITHOUT WRITTEN PERMISSION			
	DIMENSION UNITS	SCALE	CURRENT REV DESC: OBSOLETE PART NUMBER AS PER PCN#508521	
$F_A = 0$	IN/MM	NTS	EC NO: 667392 DRWN: ABHISP1 CHK'D: GGA APPR: GGA INITIAL REVISION: DRWN: RSTONE APPR: JFMURPHY	
$F_C = 0$	GENERAL TOLERANCES (UNLESS SPECIFIED)			
$F_P = 0$				
DIVISIONAL SYMBOLS	MM	INCH		
	4 PLACES ±	±		
	3 PLACES ±	±		
	2 PLACES ±	± 0.01		
	1 PLACE ±	0.3 ±		
	0 PLACES ±	±		
	ANGULAR TOL	± 2.0 °	2010/04/20 2021/07/05 2021/07/05 2010/12/06 2011/01/24	
DRAFT WHERE APPLICABLE MUST REMAIN WITHIN DIMENSIONS		THIRD ANGLE PROJECTION	DRAWING	SERIES
			C-SIZE	130038
DOCUMENT STATUS	P1	RELEASE DATE	2021/07/05	08:39:22



M8 4 PORT MPIS
 STRAIGHT DEVICENET UNIT HOMERUN
 CONNECTOR

PRODUCT CUSTOMER DRAWING

DOCUMENT NUMBER	DOC TYPE	DOC PART	REVISION
SD-130038-005	PSD	001	B

MATERIAL NUMBER	CUSTOMER	SHEET NUMBER
SEE TABLE	GENERAL MARKET	1 OF 1