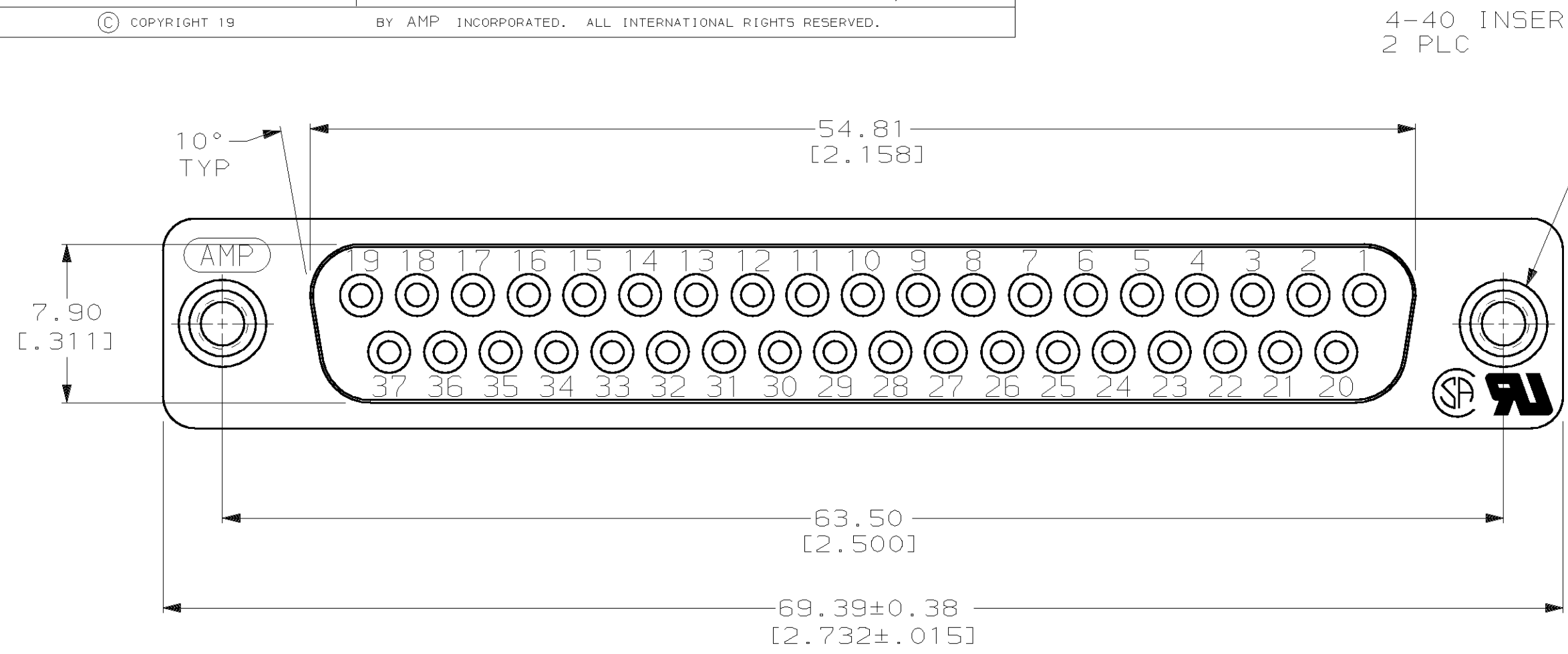
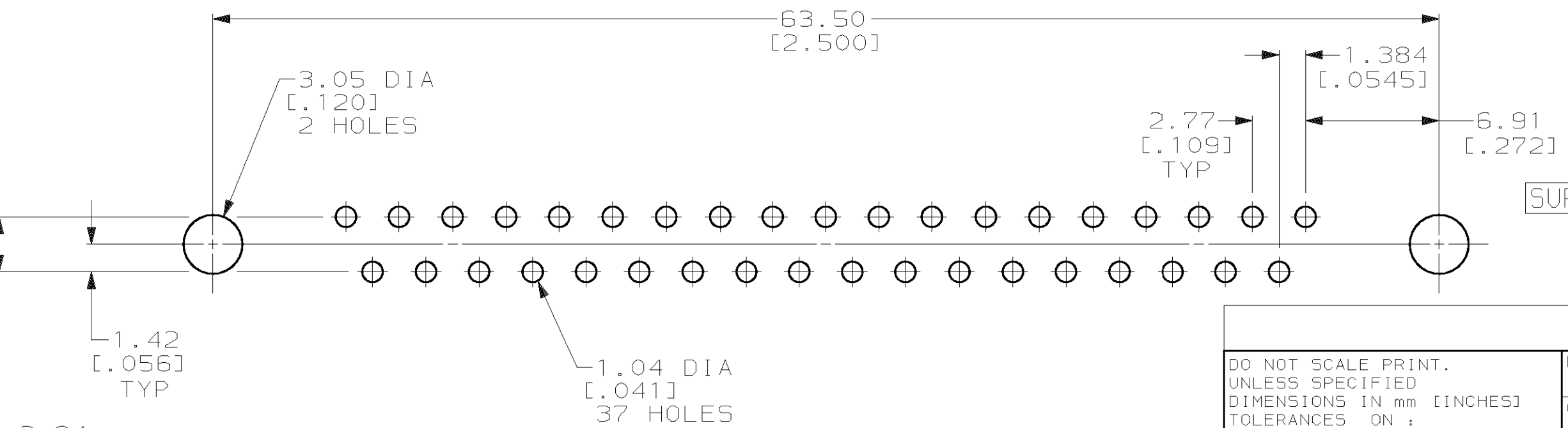
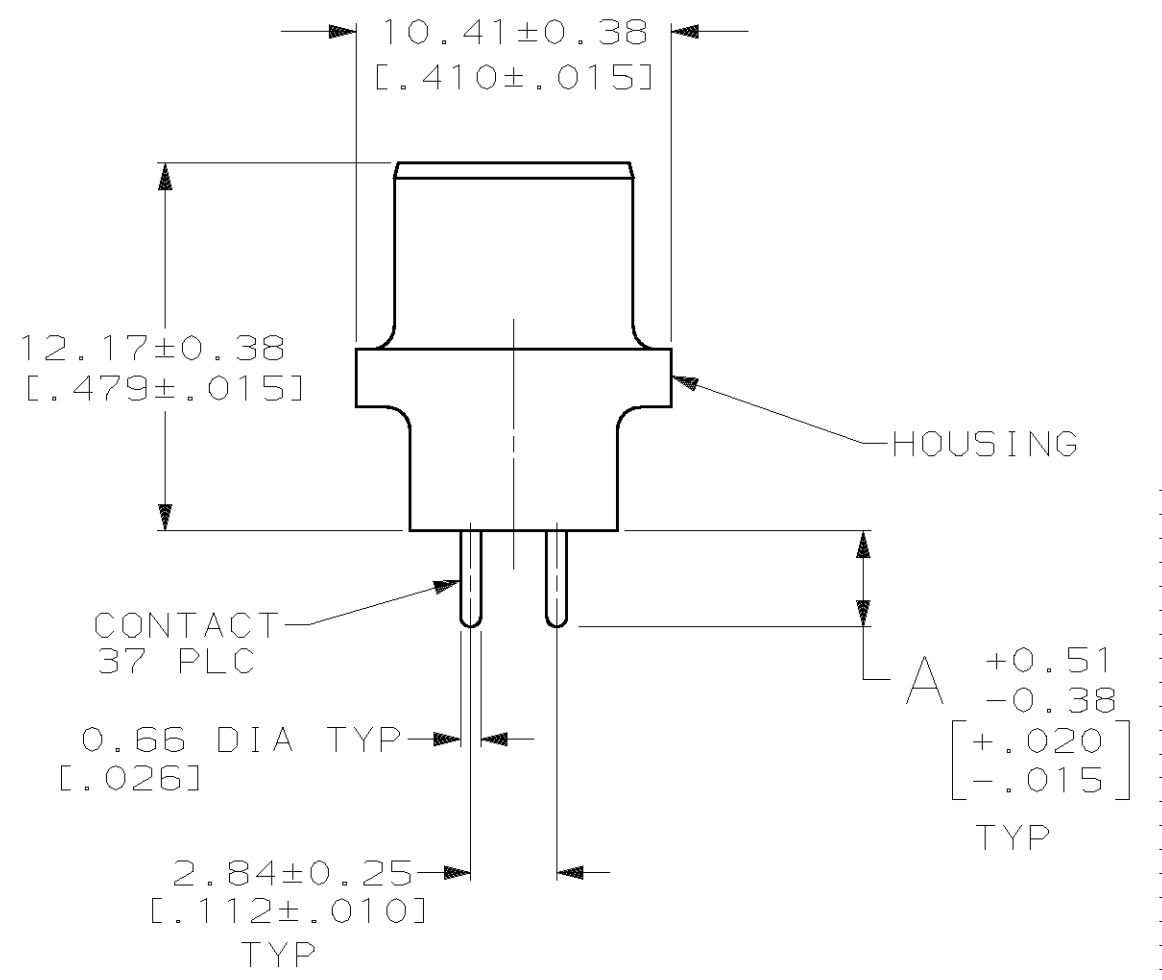
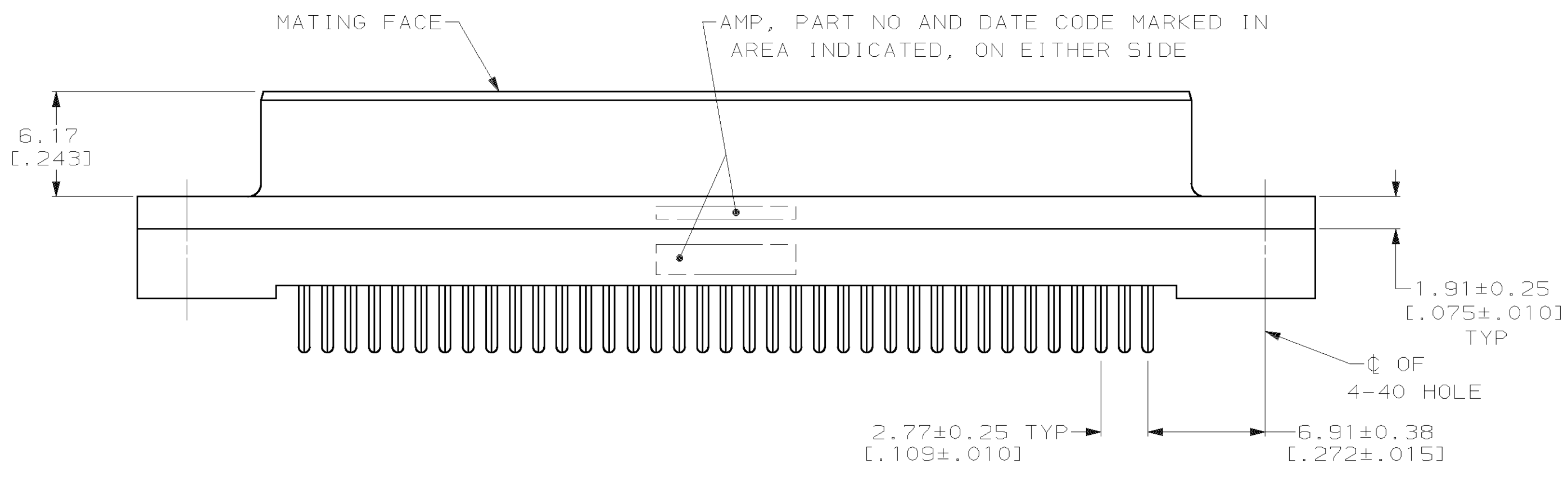


THIS DRAWING IS UNPUBLISHED. RELEASED FOR PUBLICATION
 © COPYRIGHT 19 BY AMP INCORPORATED. ALL INTERNATIONAL RIGHTS RESERVED.

LOC		DIST		P		F		REVISIONS		
ZONE	LTR	DESCRIPTION		DATE	APPD					
BD	77					C	REDRAWN & REVISED, ECN BD3361	11-89	SS	
						D	OBS 745059-1 BD6038	06/09/92	CR	
						E	SUPSD-5 & OBS-7 PER EC 0020-964-93	04/11/94	CR	
						F	OBS -3, -6 AND REV PER OU1D-0126-00	01 NOV 00	RF	



- ① HOUSING: BLACK POLYESTER, UL 94V-0 RATED; CONTACTS: PHOSPHOR BRONZE PER QQ-B-750; INSERTS: BRASS PER QQ-B-626.
- ② GOLD PLATING PER MIL-G-45204, TIN PLATING PER MIL-T-10727, NICKEL PLATING PER QQ-N-290.
- ③ GOLD FLASH FOR A LENGTH OF 2.54[.100] MIN FROM MATING END, 2.54µm[.000100] MIN TIN OR TIN-LEAD FOR A LENGTH OF DIMENSION A FROM OPPOSITE END, ALL OVER 1.27µm[.000050] MIN NICKEL.
- ④ 0.76µm[.000030] MIN GOLD FOR A LENGTH OF 2.54[.100] MIN FROM MATING END, 2.54µm[.000100] MIN TIN OR TIN-LEAD FOR A LENGTH OF DIMENSION A FROM OPPOSITE END, ALL OVER 1.27µm[.000050] MIN NICKEL.



	A	CONTACT FINISH	PART NO
OBSOLETE	6.35 [.250]	④	745059-8
OBSOLETE	6.35 [.250]	③	745059-7
OBSOLETE	4.32 [.170]	④	745059-6
SUPERSEDED BY 745059-6	4.32 [.170]	③	745059-5
	3.18 [.125]	④	745059-4
OBSOLETE	3.18 [.125]	③	745059-3
OBSOLETE	3.56 [.140]	③	745059-1

DO NOT SCALE PRINT. UNLESS SPECIFIED DIMENSIONS IN mm [INCHES] TOLERANCES ON: 2 PLC DEC ± 0.13 [.005] 3 PLC DEC ± - ANGLES ± 2°		DR 11-15-89 J McCLINTON	
MATERIAL		CHK 2-1-90 R. STONE	
FINISH ②		APPD 2-2-90 S. SCHIEFERLY	
CONTACT: SEE TABLE		APPD 2-2-90 C. ROHDE	
		PRODUCT SPEC 108-40025	
		APPLICATION SPEC -	
		WEIGHT -	
		SIZE C	CAGE CODE 00779
		DRAWING NO 745059	
		SCALE 4:1	SHEET 1 OF 1

RECOMMENDED PC BOARD MOUNTING DIMENSIONS

AMP AMP INCORPORATED
Harrisburg, Pa. 17105

NAME
RECEPTACLE ASSEMBLY, SIZE 4,
37 POSN, VERTICAL,
AMPLIMITE® HD-20