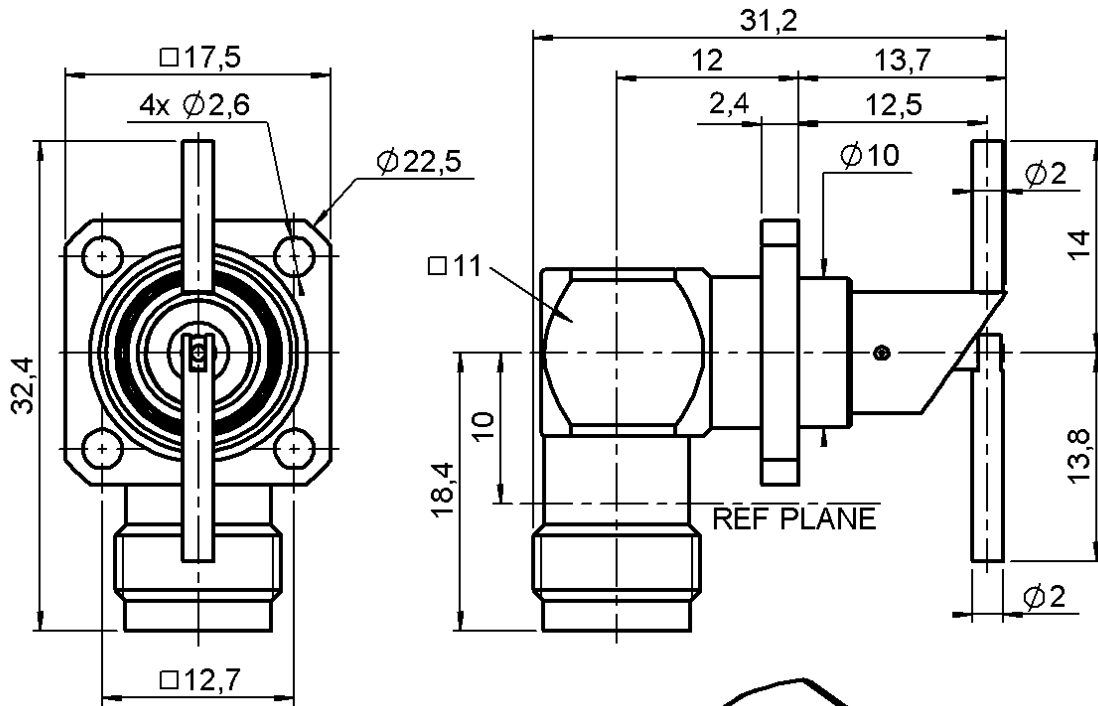


RIGHT ANGLE JACK RECEPTACLE
SQUARE FLANGE - WITH CYLINDRICAL CONTACT

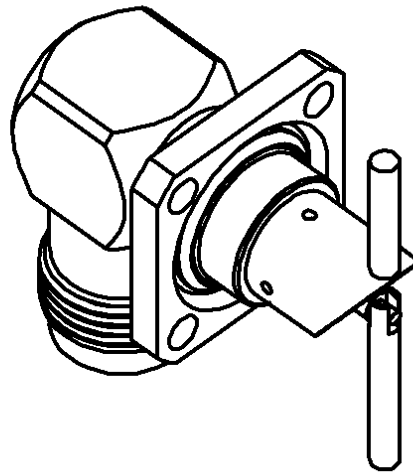
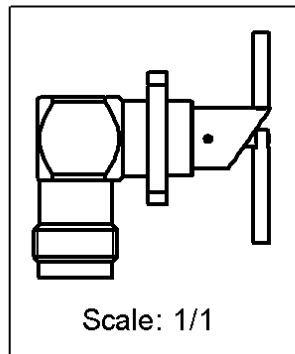
R143.662.000

Series : TNC



PANEL CUT OUT

	mm	
	Maxi	mini
A	10.2	10.1
B	2.7	2.6
C	12.75	12.65



All dimensions are in mm.

COMPONENTS	MATERIALS	PLATINGS (µm)
BODY	BRASS	NICKEL 2
CENTER CONTACT	BERYLLIUM COPPER	GOLD 0.5 OVER NICKEL 2
OUTER CONTACT	-	-
INSULATOR	PTFE	-
GASKET	-	-
OTHERS PARTS	BRASS	NICKEL 2
.	.	.
.	.	.

Issue : 0226 L

In the effort to improve our products, we reserve the right to make changes judged to be necessary.



RIGHT ANGLE JACK RECEPTACLE

R143.662.000

SQUARE FLANGE - WITH CYLINDRICAL CONTACT

Series : TNC

PACKAGING

SPECIFICATION

Standard	Unit	Other
1	-	Contact us

ELECTRICAL CHARACTERISTICS

ENVIRONMENTAL

Impedance		50 Ω
Frequency		0-11 GHz
VSWR	1.06 +	0.006 x F(GHz) Maxi
Insertion loss		.025* √F(GHz) dB Maxi
RF leakage	- (57 - F(GHz)) dB Maxi
Voltage rating		500 Veff Maxi
Dielectric withstanding voltage		1500 Veff mini
Insulation resistance		5000 MΩ mini

Operating temperature	-65/+165 ° C
Hermetic seal	NA Atm.cm3/s
Panel leakage	NA

OTHERS CHARACTERISTICS

Assembly instruction **NA**

Others :

* Coaxial Transmission Line Only

MECHANICAL CHARACTERISTICS

Center contact retention		
Axial force – Mating end		18 N mini
Axial force – Opposite end		18 N mini
Torque		2.8 N.cm mini
Recommended torque		
Mating		NA N.cm
Panel nut		NA N.cm
Mating life		500 Cycles mini
Weight		21.639 g

Issue : 0226 L

In the effort to improve our products, we reserve the right to make changes judged to be necessary.

