

Features

- Broad Bandwidth Specified up to 18 GHz
- Usable up to 26 GHz
- Integrated Bias Network
- Low Insertion Loss / High Isolation
- Rugged, Glass Encapsulated Construction
- Fully Monolithic
- RoHS* Compliant

Description

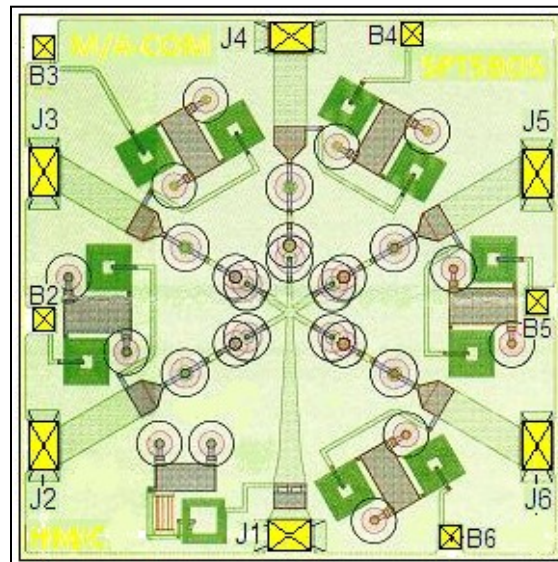
The MA4SW510B-1 device is a SP4T broadband switch with integrated bias network utilizing MACOM's HMIC™ (Heterolithic Microwave Integrated Circuit) process, US Patent 5,268,310. This process allows the incorporation of silicon pedestals that form series and shunt diodes or vias by imbedding them in low loss, low dispersion glass. By using small spacing between elements, this combination of silicon and glass gives HMIC devices low loss and high isolation performance with exceptional repeatability through low millimeter frequencies. Large bond pads facilitate the use of low inductance ribbon bonds, while gold backside metallization allows for manual or automatic chip bonding via 80/20 - Au/Sn, 62/36/2 - Sn/Pb/Ag solders or electrically conductive silver epoxy.

These high performance switches are suitable for use in multi-band ECM, Radar, and instrumentation control circuits where high isolation to insertion loss ratios are required. With a standard +5 V / -5 V, TTL controlled PIN diode driver, 80 ns switching speeds can be achieved.

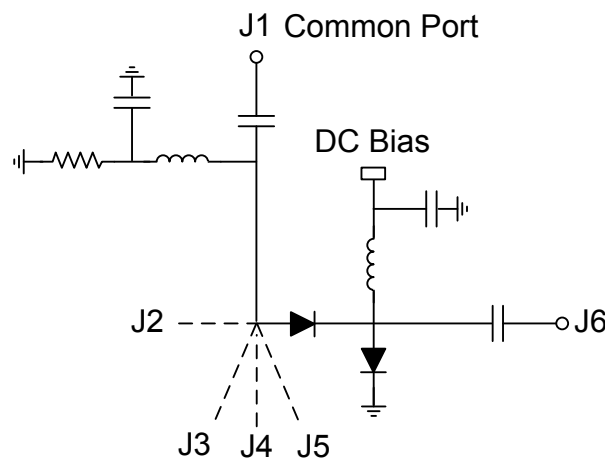
Ordering Information

| Part Number | Package |
|-------------|-------------|
| MA4SW510B-1 | Waffle Pack |

Functional Diagrams



Yellow areas denote wire bond pads



*Restrictions on Hazardous Substances, European Union Directive 2011/65/EU.

Electrical Specifications: $T_A = +25^\circ\text{C}$, 10 mA (On-Wafer Measurements)

| Parameter | Test Conditions | Units | Min. | Typ. | Max. |
|------------------------------|-----------------|-------|------|------|------|
| Insertion Loss | 2 GHz | dB | — | — | 1.5 |
| | 6 GHz | | | 0.9 | 1.0 |
| | 12 GHz | | | 1.2 | 1.5 |
| | 18 GHz | | | 1.8 | 2.1 |
| Isolation | 2 GHz | dB | 45 | 50 | — |
| | 6 GHz | | 40 | 48 | |
| | 12 GHz | | 30 | 40 | |
| | 18 GHz | | 25 | 35 | |
| Input Return Loss | 6 GHz | dB | — | 20 | — |
| | 12 GHz | | | 20 | |
| | 18 GHz | | | 17 | |
| Output Return Loss | 2 GHz | dB | — | 22 | — |
| | 6 GHz | | | 19 | |
| | 12 GHz | | | 19 | |
| | 18 GHz | | | 17 | |
| Switching Speed ¹ | 10 GHz | ns | — | 80 | — |

1. Typical switching speed is measured from (10% to 90% and 90% to 10% of detected RF voltage), driven by TTL compatible drivers. In the modulating state, (the switching port is modulating, all other ports are in steady state isolation.) The switching speed is measured using an RC network using the following values: $R = 50 - 200 \Omega$, $C = 390 - 1000 \text{ pF}$. Driver spike current, $I_C = C \text{ dv/dt}$, ratio of spike current to steady state current, is typically 10:1.

Absolute Maximum Ratings^{2,3,4}

| Parameter | Absolute Maximum |
|-----------------------|------------------|
| RF CW Incident Power | +33 dBm |
| Reverse Voltage | -50 V |
| Bias Current per Port | ±50 mA @ +25°C |
| Junction Temperature | +175°C |
| Operating Temperature | -65°C to +125°C |
| Storage Temperature | -65°C to +150°C |

- Exceeding any one or combination of these limits may cause permanent damage to this device.
- MACOM does not recommend sustained operation near these survivability limits.
- Maximum operating conditions for a combination of RF power, DC bias and temperature: +33 dBm CW @ 15 mA (per diode) @ +85°C.

Handling Procedures

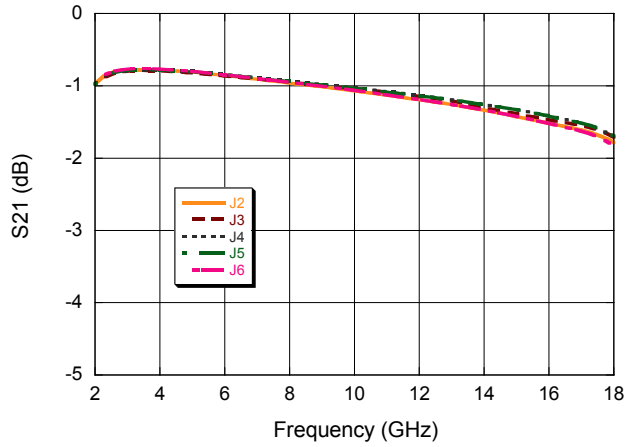
Please observe the following precautions to avoid damage:

Static Sensitivity

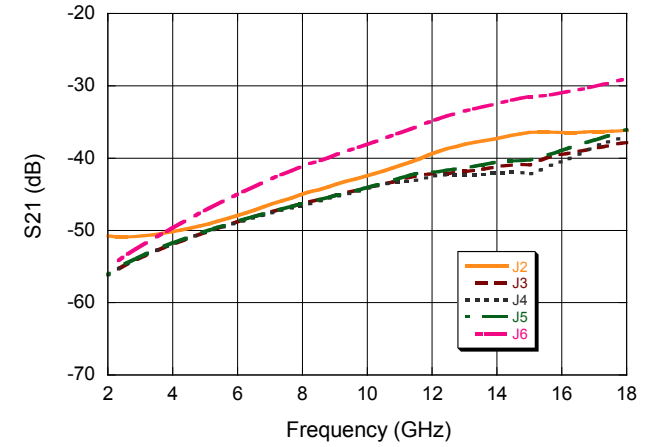
These electronic devices are sensitive to electrostatic discharge (ESD) and can be damaged by static electricity. Proper ESD control techniques should be used when handling these Class 0 (HBM) and Class C1 (CDM) devices.

Typical Performance Curves:

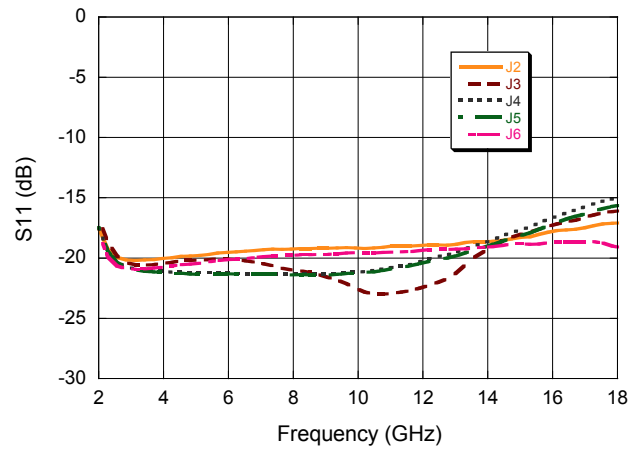
Insertion Loss vs. Frequency



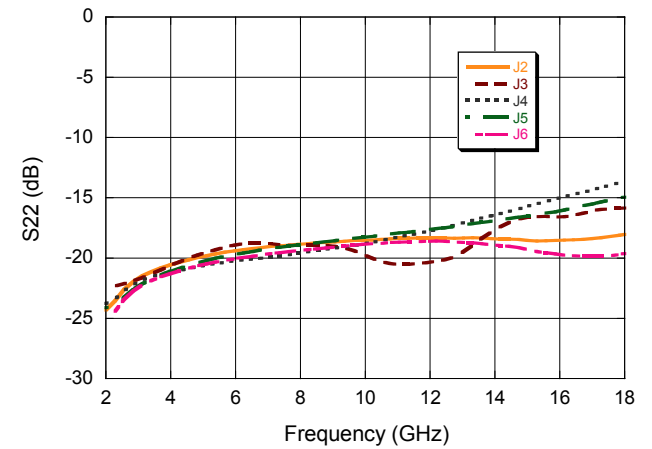
Isolation vs. Frequency



Input Return Loss vs. Frequency



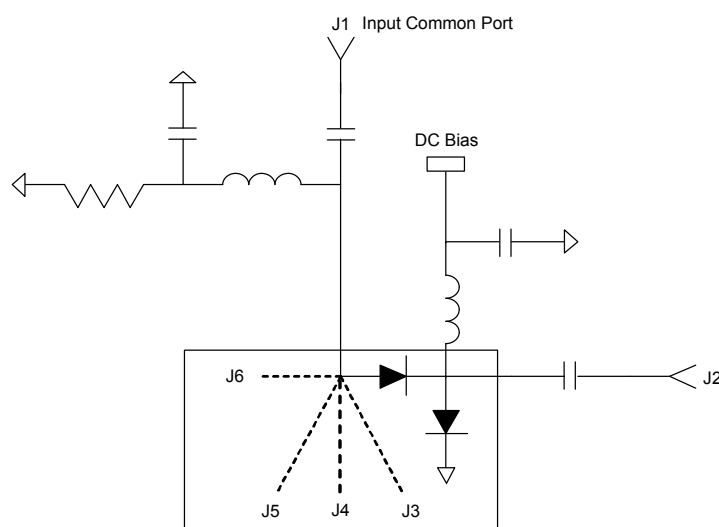
Output Return Loss vs. Frequency



Operation of the MA4SW510B-1 PIN Switch

Operation of the HMIC Series of PIN switches is achieved by the simultaneous application of negative DC current to the low loss port and positive DC current to the remaining isolated switching ports per the Driver Connections table below. The control currents should be supplied by constant current sources. For insertion loss, -10 mA bias results in approximately -2 V, and for Isolation, +10 mA yields approximately +0.9 V at the respective bias nodes. The backside area of the die is the RF and DC return ground plane.

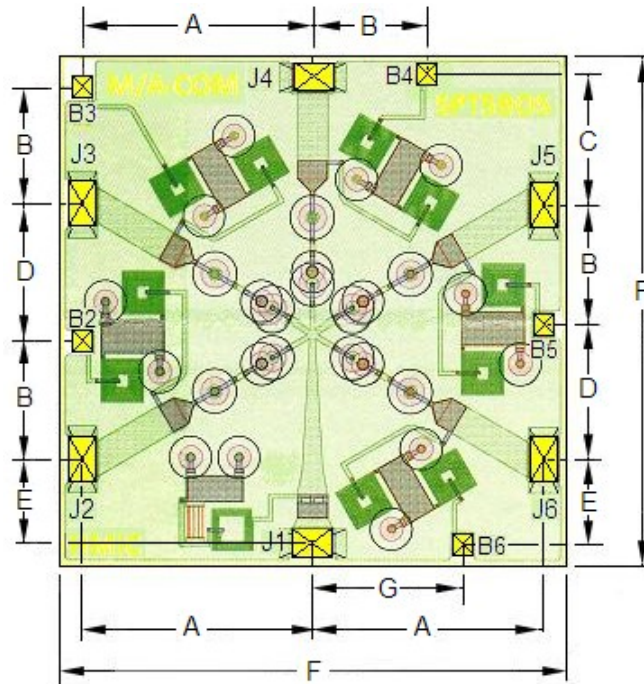
Typical Bias Network



Typical Driver Connections

| DC Control Current (mA) | | | | | RF Output States | | | | |
|-------------------------|-----|-----|-----|-----|------------------|-----------|-----------|-----------|-----------|
| B2 | B3 | B4 | B5 | B6 | J1-J2 | J1-J3 | J1-J4 | J1-J5 | J1-J6 |
| -10 | +10 | +10 | +10 | +10 | low loss | Isolation | Isolation | Isolation | Isolation |
| +10 | -10 | +10 | +10 | +10 | Isolation | low loss | Isolation | Isolation | Isolation |
| +10 | +10 | -10 | +10 | +10 | Isolation | Isolation | low loss | Isolation | Isolation |
| +10 | +10 | +10 | -10 | +10 | Isolation | Isolation | Isolation | low loss | Isolation |
| +10 | +10 | +10 | +10 | -10 | Isolation | Isolation | Isolation | Isolation | low loss |

Chip Dimensions^{5,6}



5. Topside and backside metallization is gold, 2.5 μm thick typical.
6. Yellow areas indicate wire bonding pads.

| DIM | Mils | | Millimeters | |
|------------------------|----------------|-------|--------------------|------|
| | Min. | Max. | Min. | Max. |
| A | 54.0 | 55.0 | 1.37 | 1.40 |
| B | 27.0 | 28.0 | 0.69 | 0.71 |
| C | 30.0 | 31.0 | 0.76 | 0.79 |
| D | 31.0 | 32.0 | 0.79 | 0.81 |
| E | 19.0 | 20.0 | 0.48 | 0.51 |
| F | 118.5 | 120.5 | 3.01 | 3.06 |
| G | 35.0 | 36.0 | 0.89 | 0.91 |
| RF Bond Pads (J1 - J6) | 7.0 x 5.0 ref. | | 0.178 x 0.127 ref. | |
| DC Bond Pads (B2 - B6) | 5.0 x 5.0 ref. | | 0.127 x 0.127 ref. | |
| Chip Thickness | 5.0 ref. | | 0.127 ref. | |

Cleanliness

The chips should be handled in a clean environment free of dust and organic contamination.

Wire / Ribbon Bonding

Thermo compression wedge bonding using 0.003" x 0.00025" ribbon or 0.001" diameter gold wire is recommended. A work stage temperature of 150°C - 200°C, tool tip temperature of 120°C - 150° and a downward force of 18 to 22 grams should be used. If ultrasonic energy is necessary, it should be adjusted to the minimum level required to achieve a good bond. Excessive power or force will fracture the silicon beneath the bond pad causing it to lift. RF bond wires and ribbons should be kept as short as possible for optimum RF performance.

Chip Mounting

HMIC switches have Ti-Pt-Au backside metallization and can be mounted using a gold-tin eutectic solder or conductive epoxy. Mounting surface must be free of contamination and flat.

Eutectic Die Attachment

An 80/20, gold-tin, eutectic solder is recommended. Adjust the work surface temperature to 255°C and the tool tip temperature to 265°C. After placing the chip onto the circuit board re-flow the solder by applying hot forming gas (95/5 Ni/H) to the top surface of the chip. Temperature should be approximately 290°C and not exceed 320°C for more than 20 seconds. Typically no more than three seconds is necessary for attachment. Solders rich in tin should be avoided

Epoxy Die Attachment

A minimum amount of epoxy, 1 - 2 mils thick, should be used to attach chip. A thin epoxy fillet should be visible around the outer perimeter of the chip after placement. Epoxy cure time is typically 1 hour at 150°C.

M/A-COM Technology Solutions Inc. All rights reserved.

Information in this document is provided in connection with M/A-COM Technology Solutions Inc ("MACOM") products. These materials are provided by MACOM as a service to its customers and may be used for informational purposes only. Except as provided in MACOM's Terms and Conditions of Sale for such products or in any separate agreement related to this document, MACOM assumes no liability whatsoever. MACOM assumes no responsibility for errors or omissions in these materials. MACOM may make changes to specifications and product descriptions at any time, without notice. MACOM makes no commitment to update the information and shall have no responsibility whatsoever for conflicts or incompatibilities arising from future changes to its specifications and product descriptions. No license, express or implied, by estoppel or otherwise, to any intellectual property rights is granted by this document.

THESE MATERIALS ARE PROVIDED "AS IS" WITHOUT WARRANTY OF ANY KIND, EITHER EXPRESS OR IMPLIED, RELATING TO SALE AND/OR USE OF MACOM PRODUCTS INCLUDING LIABILITY OR WARRANTIES RELATING TO FITNESS FOR A PARTICULAR PURPOSE, CONSEQUENTIAL OR INCIDENTAL DAMAGES, MERCHANTABILITY, OR INFRINGEMENT OF ANY PATENT, COPYRIGHT OR OTHER INTELLECTUAL PROPERTY RIGHT. MACOM FURTHER DOES NOT WARRANT THE ACCURACY OR COMPLETENESS OF THE INFORMATION, TEXT, GRAPHICS OR OTHER ITEMS CONTAINED WITHIN THESE MATERIALS. MACOM SHALL NOT BE LIABLE FOR ANY SPECIAL, INDIRECT, INCIDENTAL, OR CONSEQUENTIAL DAMAGES, INCLUDING WITHOUT LIMITATION, LOST REVENUES OR LOST PROFITS, WHICH MAY RESULT FROM THE USE OF THESE MATERIALS.

MACOM products are not intended for use in medical, lifesaving or life sustaining applications. MACOM customers using or selling MACOM products for use in such applications do so at their own risk and agree to fully indemnify MACOM for any damages resulting from such improper use or sale.