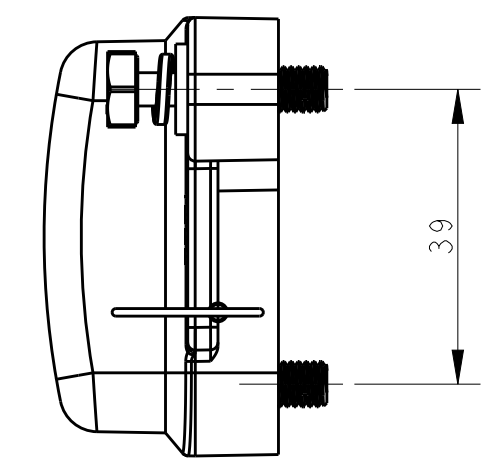
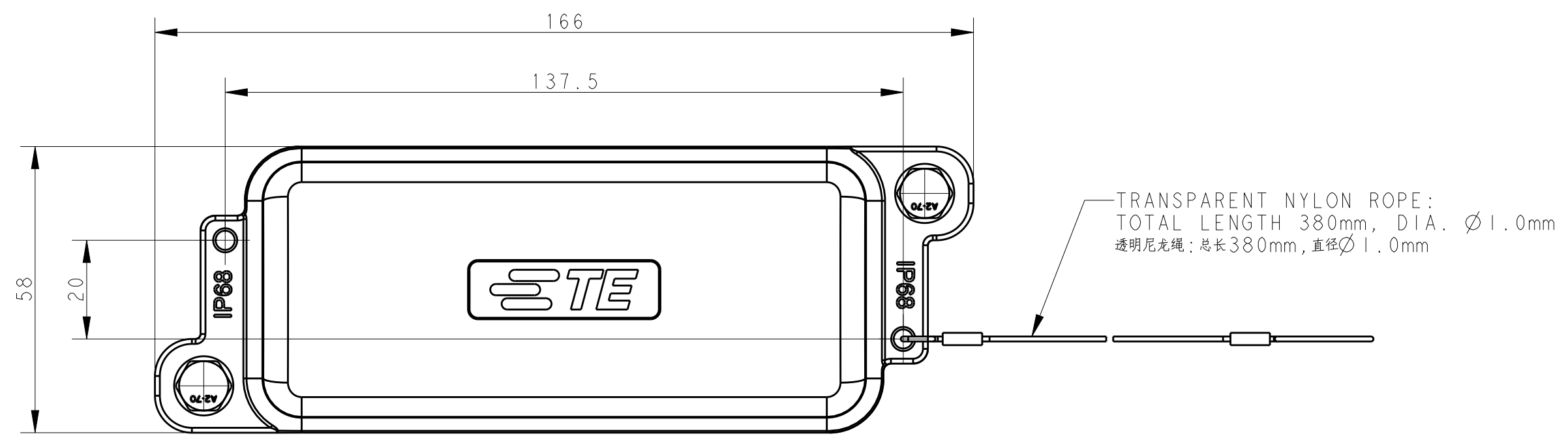
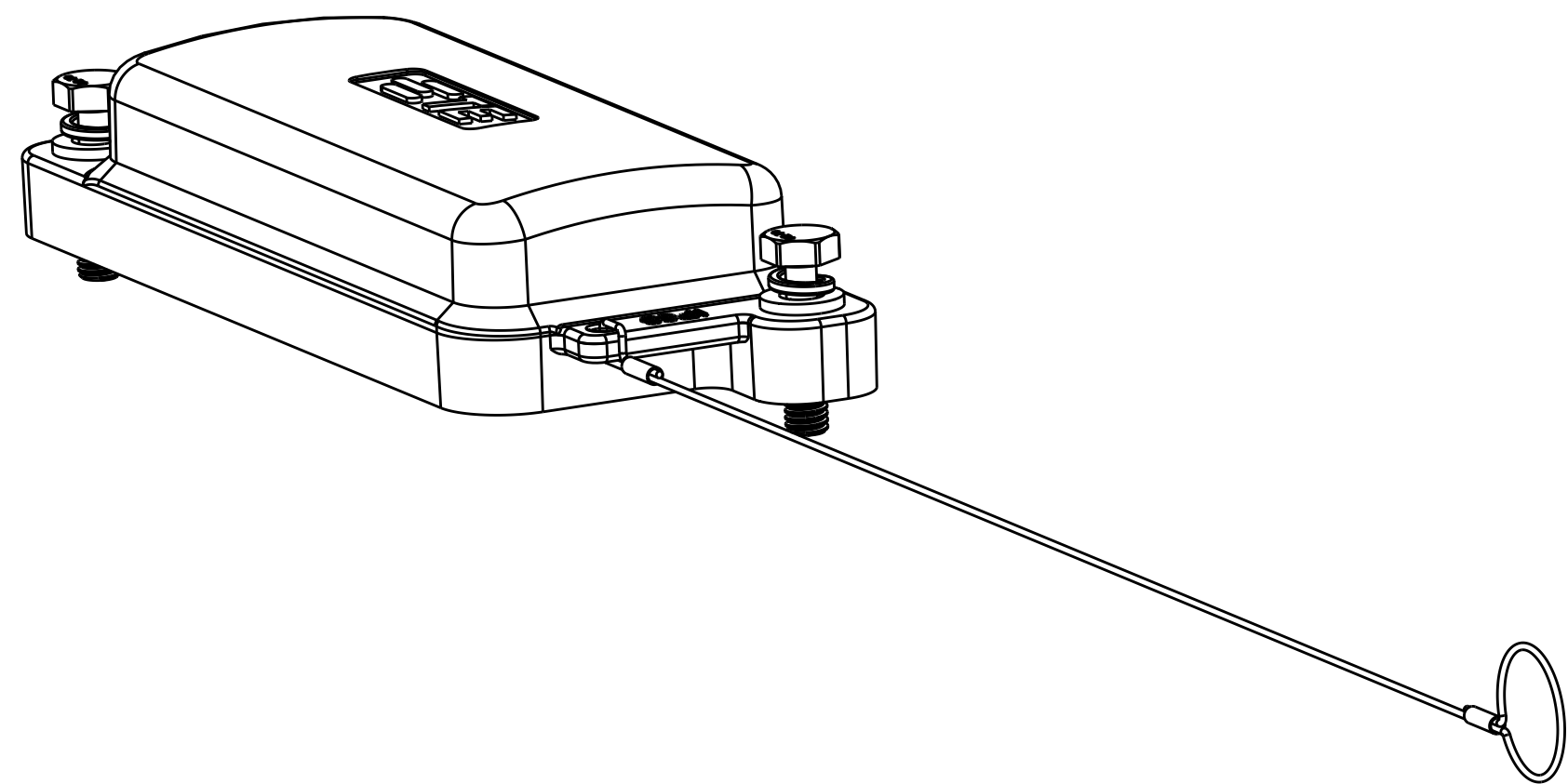
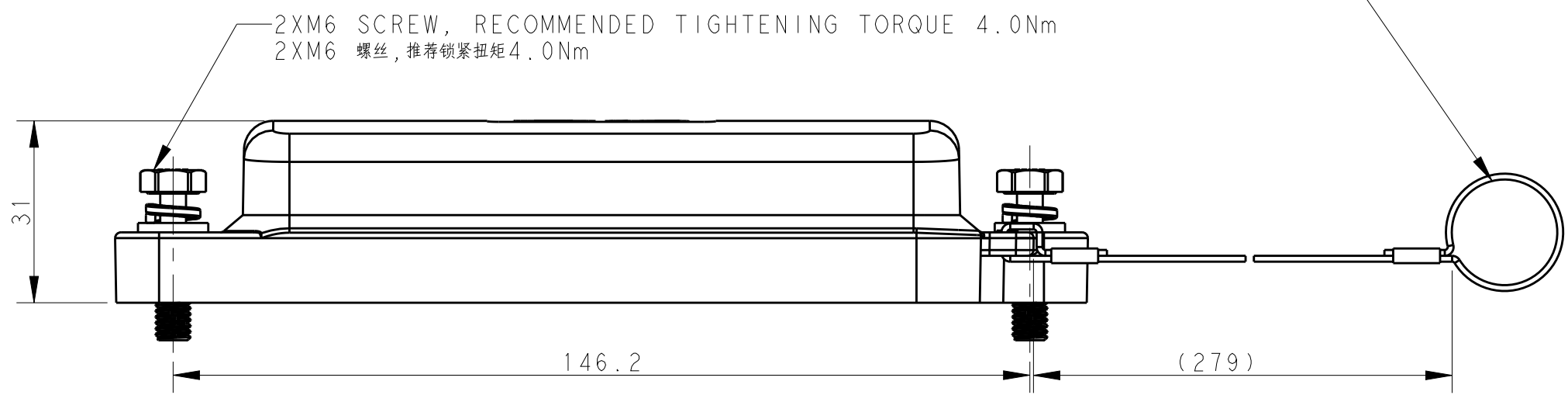


THIS DRAWING IS UNPUBLISHED. RELEASED FOR PUBLICATION 20
 © COPYRIGHT 20 BY - ALL RIGHTS RESERVED.

REVISIONS				
P	LTR	DESCRIPTION	DATE	APVD
A		INITIAL RELEASE	22OCT2016	DW CW
A1		ECR-17-008404	10JUN2017	CH CW
A2		ECR-18-004494	23MAR2018	DW CW



LOOP SIZE DEFAULT VALUE DIA. Ø18,
UNLESS HAVE SPECIAL REQUIREMENT.
套圈大小默认值直径是Ø18, 除非有特别要求.



NOTES:
 1. TECHNICAL CHARACTERISTICS:
 COVER MATERIAL: DIE CAST ALUMINIUM ALLOY
 SURFACE TREATMENT: SEE TABLE

注释
 1. 技术参数:
 壳体材料: 铝合金
 表面处理: 见表格

T1990161000-009	HI6BPR-KDBM-EMC-C	HI6BPR HOUSING METAL PROTECTION COVER, DIAGONAL LOCKING, NYLON ROPE, POWDER COATED, SILVER WHITE HI6BPR对角锁定金属保护盖, 尼龙绳, 银白色粉末喷涂
T1990160000-009	HI6BPR-KDBM-EMC-C	HI6BPR HOUSING METAL PROTECTION COVER, DIAGONAL LOCKING, NYLON ROPE, POWDER COATED, BLACK HI6BPR对角锁定金属保护盖, 尼龙绳, 黑色粉末喷涂
PART NUMBER 料号	PART DESCRIPTION 描述	

THIS DRAWING IS A CONTROLLED DOCUMENT.		DWN DAVID.WANG 22OCT2016	TE Connectivity															
DIMENSIONS: mm		CHK CHRIS.WANG 22OCT2016																
TOLERANCES UNLESS OTHERWISE SPECIFIED:		APVD XIANG.XU 22OCT2016																
<table border="1"> <tr><td>0 PLC</td><td>±</td></tr> <tr><td>1 PLC</td><td>±</td></tr> <tr><td>2 PLC</td><td>±</td></tr> <tr><td>3 PLC</td><td>±</td></tr> <tr><td>4 PLC</td><td>±</td></tr> <tr><td>ANGLES</td><td>±</td></tr> <tr><td>FINISH</td><td>±</td></tr> </table>		0 PLC	±	1 PLC	±	2 PLC	±	3 PLC	±	4 PLC	±	ANGLES	±	FINISH	±	PRODUCT SPEC	NAME HI6BPR-KDBM-EMC-C	
0 PLC	±																	
1 PLC	±																	
2 PLC	±																	
3 PLC	±																	
4 PLC	±																	
ANGLES	±																	
FINISH	±																	
MATERIAL		APPLICATION SPEC	SIZE A2	CAGE CODE -														
		WEIGHT	DRAWING NO. C-T1990160000009															
		CUSTOMER DRAWING	SCALE 1:1	SHEET 1 OF 1														
			REV A2															