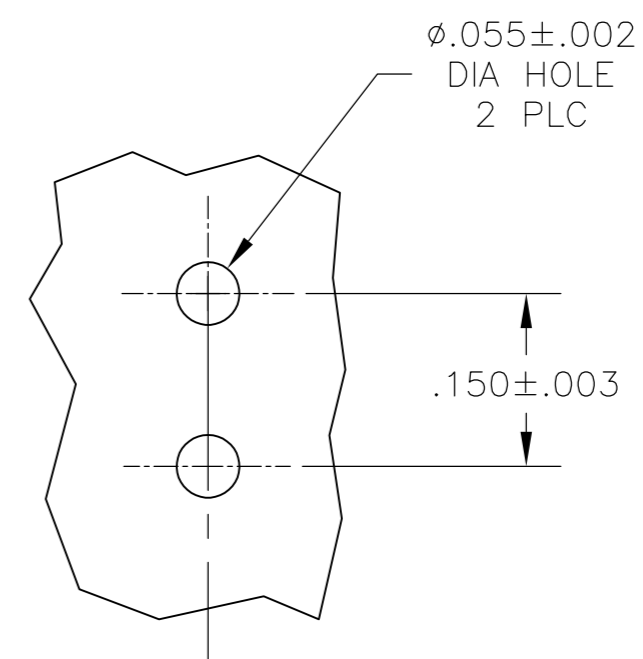
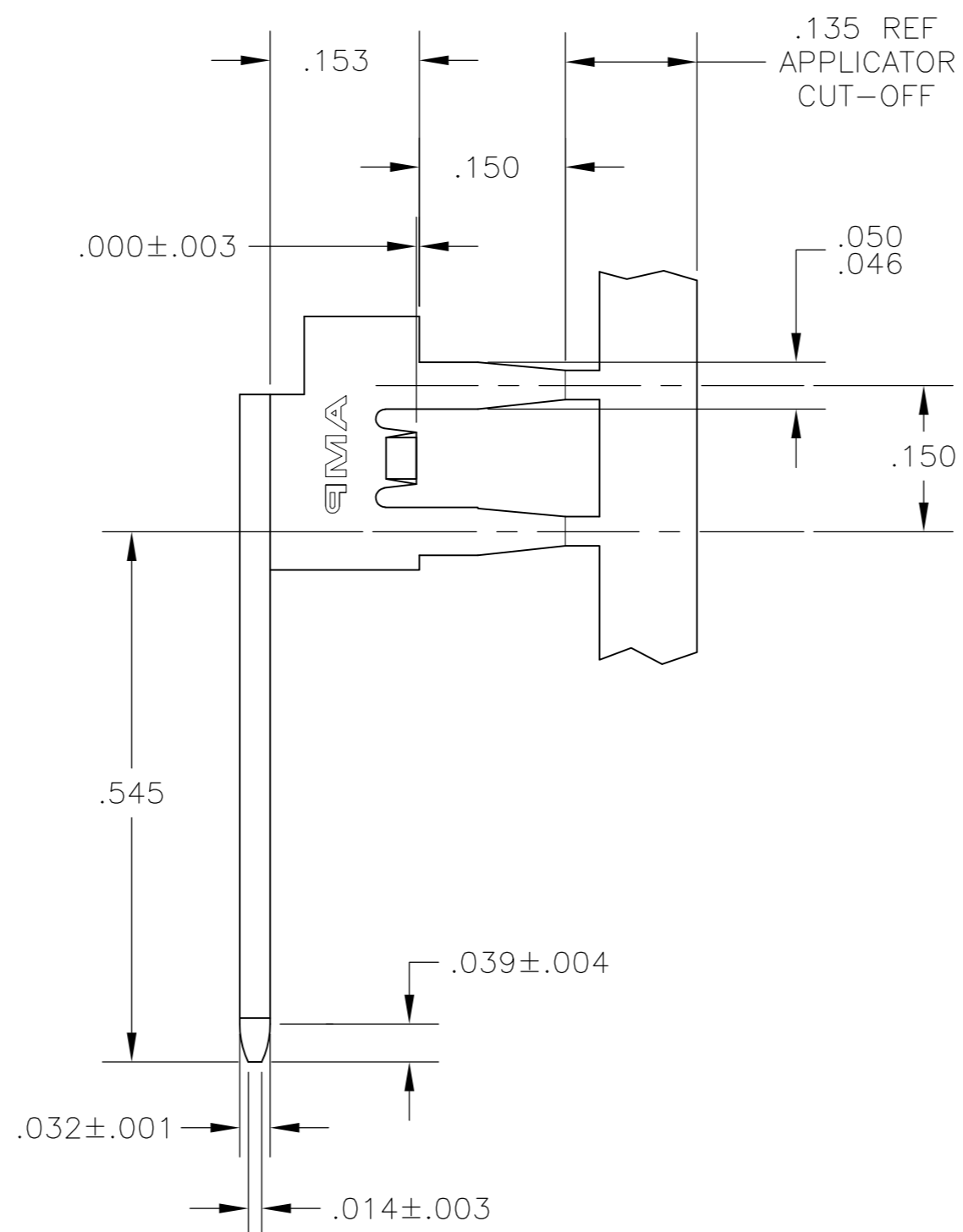
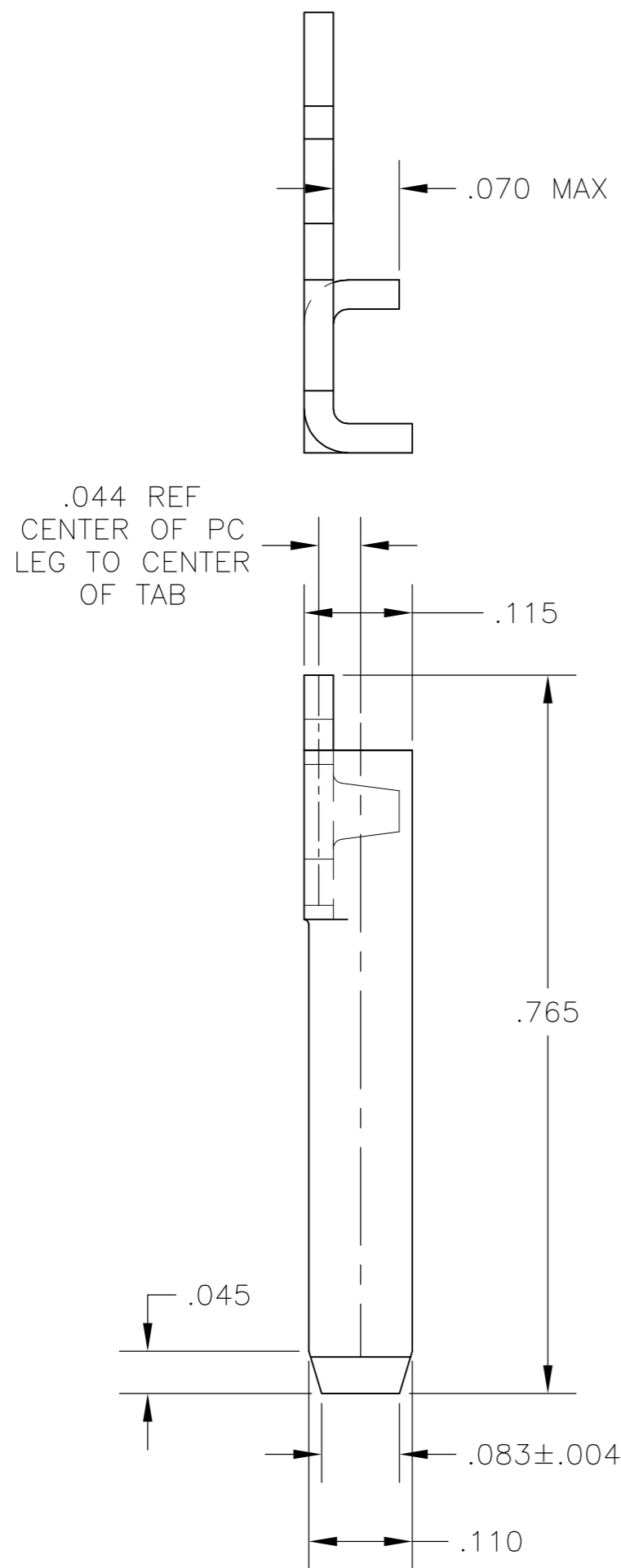


THIS DRAWING IS UNPUBLISHED. RELEASED FOR PUBLICATION
 © COPYRIGHT - By - ALL RIGHTS RESERVED.

LOC	DIST	REVISIONS			
P	LTR	DESCRIPTION	DATE	DWN	APVD
AF	50	J	REVISED PER ECR-13-001204	26JUN13	KH PD

- 1 CONTINUOUS STRIP ON REELS.
- 2 .000100-.000200 TIN OVER
.000100 MIN NICKEL.



P.C. BOARD HOLES

1217089-1
PART NO.

THIS DRAWING IS A CONTROLLED DOCUMENT.		DWN JR RUTH 06APR01	STE TE Connectivity																			
DIMENSIONS: INCHES		CHK MS FEHER 06APR01																				
TOLERANCES UNLESS OTHERWISE SPECIFIED:		APVD N DEIBERT 06APR01	NAME TAB, SPECIAL FOR P.C. BOARD																			
<table border="1"> <tr><td>0 PLC</td><td>±</td><td>-</td></tr> <tr><td>1 PLC</td><td>±</td><td>-</td></tr> <tr><td>2 PLC</td><td>±</td><td>-</td></tr> <tr><td>3 PLC</td><td>±</td><td>.010</td></tr> <tr><td>4 PLC</td><td>±</td><td>-</td></tr> <tr><td>ANGLES</td><td>±</td><td>-</td></tr> </table>		0 PLC	±	-	1 PLC	±	-	2 PLC	±	-	3 PLC	±	.010	4 PLC	±	-	ANGLES	±	-	PRODUCT SPEC -	SIZE A2	CAGE CODE 00779
0 PLC	±	-																				
1 PLC	±	-																				
2 PLC	±	-																				
3 PLC	±	.010																				
4 PLC	±	-																				
ANGLES	±	-																				
MATERIAL BRASS	FINISH 2	APPLICATION SPEC -	DRAWING NO 1217089	RESTRICTED TO -																		
CUSTOMER DRAWING		WEIGHT -	SCALE 6:1	SHEET 1 of 1																		
		REV J																				