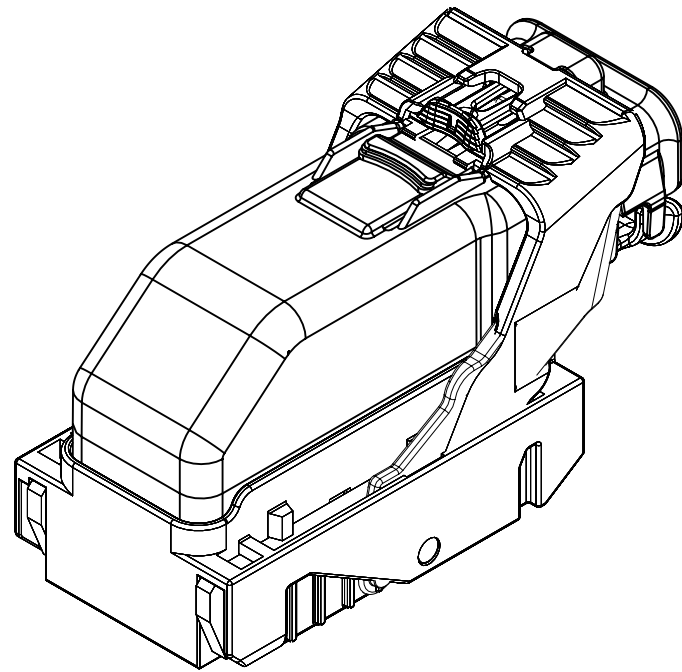

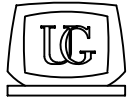


INDEX	
PAGE TITLE	PAGE
TITLE BLOCK	1
REVISION BLOCK	2
PART BLOCK	3
KPC BLOCK	4
COMPONENT TABLE	5
NOTES	6
NOTES	7
WIRE DRESS PACKAGING DIMENSIONS	8
LOCATION AND PACKAGING DIMENSIONS REFERENCING INTERFACE DATUMS B & C	9
LOCATION AND PACKAGING DIMENSIONS REFERENCING INTERFACE DATUM A	10
KEY ID REF - WIRE DRESS OPTION 0	11
KEY ID REF - WIRE DRESS OPTION 9	12
CIRCUIT CONFIGURATIONS	13
CIRCUIT CONFIGURATIONS	14
COMPONENT CONNECTOR INTERFACE	15
COMPONENT CONNECTOR INTERFACE	16
COMPONENT CONNECTOR INTERFACE	17
COMPONENT CONNECTOR INTERFACE	18
COMPONENT CONNECTOR INTERFACE	19
COMPONENT CONNECTOR INTERFACE	20
COMPONENT CONNECTOR INTERFACE	21



ISO VIEW

	<p>UNLESS OTHERWISE SPECIFIED: THIS DOCUMENT IS IN ACCORDANCE WITH ASME Y14.5M-1994 AS AMMENDED BY THE GM GLOBAL DIMENSIONING AND TOLERANCING ADDENDUM-1997. ALL GEOMETRIC TOLERANCES AND RELATED DATUMS APPLY RFS. RULE #1 (PERFECT FORM AT MMC) DOES NOT APPLY WHEN A RELATIONSHIP BETWEEN FEATURES IS ESTABLISHED BY ORIENTATION OR LOCATION TOLERANCES. SEPARATE POSITION CALLOUTS MAY BE GAGED SEPARATELY REGARDLESS OF DATUM REFERENCES.</p>			DATE
	 CHANGE RESTRICTED NO MANUAL CHANGES	REFERENCE 12H (MOLEX AUTOMOTIVE)	DRAFTER J SZYMKOWSKI APVD1 D PFAFFINGER APVD2 B BURT APVD3 APVD4 APVD5	22DE05 22DE05 22DE05
DO NOT SCALE	DRAWING NAME			
METRIC DIMENSIONS SHOWN IN MILLIMETERS UNLESS OTHERWISE SPECIFIED	HARNES CONN ASM 66/73/80 CKTS			
	DRAWING NUMBER 12642695	DWG STATUS		PAGE NUMBER 1 OF 21
		ST	REV	
		R	002	

PAGE	DWG STATUS					REVISION HISTORY	AUTH	DR	CK	ENG
	DATE	ST	REV	CHG	PDI					
	19DE11	R	001			RELEASED TO PRODUCTION AT DLS A	CRMRJB	SC	MRO	GF
3	08MY15	R	002	A		REORDERED PART BLOCK AND ADDED MASS CORRECTED P/N TYPO FROM 12562676 TO 12582676				
3, 5		R	002	B		ADDED 12659312, 12659313, 12653574 AND 12653575				
6		R	002	C		REMOVED NOTE 1 . D . 3 . C				
20		R	002	D		DIM 125 WAS 3.25 DIM 131 WAS 5.5	CRMRJD	DFK	MRO	GF

PAGE	DWG STATUS					REVISION HISTORY	AUTH	DR	CK	ENG
	DATE	ST	REV	CHG	PDI					

KEY PRODUCT CHARACTERISTICS
(IN ACCORDANCE WITH QN 1805 OR ON 1050)



SAFETY/COMPLIANCE

TOTAL ON
DRAWING

5



FIT/FUNCTION

LAST NO.
USED

5

NO	TYPE	DESCRIPTION	RATIONALE	PAGE/ZONE
1	F/F	32.68	IMPROVE CONNECTOR SYSTEM MATING	15
2	F/F	29.00	INSURE PROPER RELEASE OF LEVER	15
3	F/F	15.25	INSURE FINAL MATE POSITION	16
5	F/F	POSITIONAL TOLERANCE (2 PLACES)	INSURE CONNECTOR SYSTEM MATEABILITY	19



PAGE TITLE
KPC BLOCK

DRAWING NUMBER

12642695

DWG STATUS

ST	REV	PD1
----	-----	-----

R	002	
---	-----	--

PAGE NUMBER

4 OF 21

LINE	MFG.	MFG. P/N	GM P/N	EFFECTIVE DATE	APPLICABLE COMPONENTS	KEY OPTION	WIRE DRESS OPTION	KEY CONFIG.	COLOR	STATUS
					DESCRIPTION					
-										
1	MOLEX	34565-0003	12582676	02JN03	MX123 DRESS COVER 66/73/80 CKT	N/A	N/A	N/A	BLACK	AVAILABLE
2	MOLEX	34822-0013	12642692	01SP13	MX123 HRNS CONN ASSY 66 CKT	A	0	1458	BLACK	AVAILABLE
3	MOLEX	34822-0033	12659312	01SP13	MX123 HRNS CONN ASSY 66 CKT	C	0	2467	BLUE	AVAILABLE
4	MOLEX	34822-0023	12642693	01SP13	MX123 HRNS CONN ASSY 66 CKT	A	9	1458	BLACK	AVAILABLE
5	MOLEX	34822-0043	12659313	01SP13	MX123 HRNS CONN ASSY 66 CKT	C	9	2467	BLUE	AVAILABLE
6	MOLEX	34566-0103	12582677	11JN04	MX123 HRNS CONN ASSY 73 CKT	A	0	1458	BLACK	AVAILABLE
7	MOLEX	34566-0203	12582678	11JN04	MX123 HRNS CONN ASSY 73 CKT	B	0	1468	ST GRAY	AVAILABLE
8	MOLEX	34566-0303	12615654	09AP08	MX123 HRNS CONN ASSY 73 CKT	C	0	2467	BLUE	AVAILABLE
9	MOLEX	34566-0403	12647268	T.B.D	MX123 HRNS CONN ASSY 73 CKT	D	0	2367	BROWN	NOT ACTIVE
10	MOLEX	34566-0503	AMJ28633	T.B.D	MX123 HRNS CONN ASSY 73 CKT	E	0	2468	GREEN	NOT ACTIVE
11	MOLEX	34566-0603	12653574	05DC14	MX123 HRNS CONN ASSY 73 CKT	F	0	1357	NATURAL	AVAILABLE
12	MOLEX	34566-0703	12588057	09AP08	MX123 HRNS CONN ASSY 80 CKT	G	0	1358	BLUE	AVAILABLE
13	MOLEX	34566-0803	12588058	11JN04	MX123 HRNS CONN ASSY 80 CKT	H	0	2458	ST GRAY	AVAILABLE
14	MOLEX	34566-0903	12615656	T.B.D	MX123 HRNS CONN ASSY 80 CKT	J	0	2457	BLACK	NOT ACTIVE
15	MOLEX	34566-1003	AMJ28595	T.B.D	MX123 HRNS CONN ASSY 80 CKT	K	0	2357	BROWN	NOT ACTIVE
16	MOLEX	34566-1103	AMJ29057	T.B.D	MX123 HRNS CONN ASSY 80 CKT	L	0	2368	GREEN	NOT ACTIVE
17	MOLEX	34566-1203	AMJ28669	T.B.D	MX123 HRNS CONN ASSY 80 CKT	M	0	2358	NATURAL	NOT ACTIVE
18	MOLEX	34566-1303	12603596	11JN04	MX123 HRNS CONN ASSY 73 CKT	A	9	1458	BLACK	AVAILABLE
19	MOLEX	34566-1403	12603597	11JN04	MX123 HRNS CONN ASSY 73 CKT	B	9	1468	ST GRAY	AVAILABLE
20	MOLEX	34566-1503	12615655	09AP08	MX123 HRNS CONN ASSY 73 CKT	C	9	2467	BLUE	AVAILABLE
21	MOLEX	34566-1603	12647269	T.B.D	MX123 HRNS CONN ASSY 73 CKT	D	9	2367	BROWN	NOT ACTIVE
22	MOLEX	34566-1703	AMJ28698	T.B.D	MX123 HRNS CONN ASSY 73 CKT	E	9	2468	GREEN	NOT ACTIVE
23	MOLEX	34566-1803	12653575	05DC14	MX123 HRNS CONN ASSY 73 CKT	F	9	1357	NATURAL	AVAILABLE
24	MOLEX	34566-1903	12603598	09AP08	MX123 HRNS CONN ASSY 80 CKT	G	9	1358	BLUE	AVAILABLE
25	MOLEX	34566-2003	12603599	11JN04	MX123 HRNS CONN ASSY 80 CKT	H	9	2458	ST GRAY	AVAILABLE
26	MOLEX	34566-2103	12615657	T.B.D	MX123 HRNS CONN ASSY 80 CKT	J	9	2457	BLACK	NOT ACTIVE
27	MOLEX	34566-2203	AMJ29117	T.B.D	MX123 HRNS CONN ASSY 80 CKT	K	9	2357	BROWN	NOT ACTIVE
28	MOLEX	34566-2303	AMJ29136	T.B.D	MX123 HRNS CONN ASSY 80 CKT	L	9	2368	GREEN	NOT ACTIVE
29	MOLEX	34566-2403	AMJ29214	T.B.D	MX123 HRNS CONN ASSY 80 CKT	M	9	2358	NATURAL	NOT ACTIVE
30	MOLEX	34736-2002	12642697	01AU10	MX64 RCPT TERM Ag 18/20 GAGE B (RIGHT PAYOFF)	N/A	N/A	N/A	N/A	AVAILABLE
31	MOLEX	34736-2001	12642696	01AU10	MX64 RCPT TERM Ag 22 GAGE B (RIGHT PAYOFF)	N/A	N/A	N/A	N/A	AVAILABLE
32	MOLEX	34586-0001	T.B.D.	11JN04	MX123 0.64MM GROMMET PLUG	N/A	N/A	N/A	NATURAL	AVAILABLE
33	YAZAKI	7116-4150-02	12588066	02JN03	2.8mm YESC SEALED FEMALE TERMINAL TIN 20/22 GAGE (CABLE RANGE 0.30mm-0.60mm)	N/A	N/A	N/A	N/A	NOT ACTIVE
34	YAZAKI	7116-4151-02	12588067	02JN03	2.8mm YESC SEALED FEMALE TERMINAL TIN 16/18 GAGE (CABLE RANGE 0.75mm-1.40mm)	N/A	N/A	N/A	N/A	NOT ACTIVE
35	YAZAKI	7116-4152-02	12582685	02JN03	2.8mm YESC SEALED FEMALE TERMINAL TIN 14 GAGE (CABLE RANGE 1.50mm-2.50mm)	N/A	N/A	N/A	N/A	AVAILABLE
36	YAZAKI	7158-3111-60	12588068	02JN03	2.8mm CABLE SEAL (wire O.D. range 1.20mm-1.90mm)	N/A	N/A	N/A	GREEN	NOT ACTIVE
37	YAZAKI	7158-3112-70	12588069	02JN03	2.8mm CABLE SEAL (wire O.D. range 1.80mm-2.30mm)	N/A	N/A	N/A	YELLOW	NOT ACTIVE
38	YAZAKI	7158-3113-40	12582686	02JN03	2.8mm CABLE SEAL (wire O.D. range 2.18mm-3.00mm)	N/A	N/A	N/A	WHITE	AVAILABLE
39	YAZAKI	7158-3114-90	T.B.D	02JN03	2.8mm YESC CAVITY PLUG	N/A	N/A	N/A	BLUE	AVAILABLE
40	MOLEX	63811-4200	XX019825	02JN03	MX64 TERM HAND CRIMP TOOL	N/A	N/A	N/A	N/A	AVAILABLE
41	MOLEX	63813-1400	XX019826	02JN03	MX64 TERM SERVICE TOOL	N/A	N/A	N/A	N/A	AVAILABLE
42	MOLEX	63865-8000	XX019827	02JN03	MX64 CRIMP APPLICATOR with TOOL KIT 18/20 GAGE PAYOFF DIRECTION D (left payoff) (contact Molex for payoff detail)	N/A	N/A	N/A	N/A	AVAILABLE
43	MOLEX	63865-8070	XX019828	02JN03	MX64 APPLICATOR TOOL KIT 18/20 GAGE	N/A	N/A	N/A	N/A	AVAILABLE
44	MOLEX	63865-8100	XX019829	02JN03	MX64 CRIMP APPLICATOR with TOOL KIT 22 GAGE PAYOFF DIRECTION D (left payoff) (contact Molex for payoff detail)	N/A	N/A	N/A	N/A	AVAILABLE
45	MOLEX	63865-8170	XX019830	02JN03	MX64 APPLICATOR TOOL KIT 22 GAGE	N/A	N/A	N/A	N/A	AVAILABLE
46	SPX	J35616-64	T.B.D.	02JN03	0.64mm PROBE TOOL (for rcpt)	N/A	N/A	N/A	N/A	AVAILABLE
47	SPX	J35616-64A	T.B.D.	02JN03	0.64mm PROBE TOOL WITH EXT (for rcpt)	N/A	N/A	N/A	N/A	AVAILABLE
48	SPX	J35616-65	T.B.D.	02JN03	0.64mm PROBE TOOL WITH EXT (for pin)	N/A	N/A	N/A	N/A	AVAILABLE
49	SPX	J35616-4A	T.B.D.	02JN03	2.8mm PROBE TOOL (for rcpt)	N/A	N/A	N/A	N/A	AVAILABLE
50	YAZAKI	X39899-J374	12094430	02JN03	2.8mm TERM SERVICE TOOL	N/A	N/A	N/A	N/A	AVAILABLE

002B

* - MX123 DRESS COVER 73/80/66 CKT MATES TO ANY MX123 HARN CONN ASSY SHOWN ON TABLE ABOVE



PAGE TITLE
COMPONENT TABLE

DRAWING NUMBER
12642695

DWG STATUS		
ST	REV	PD1
R	002	

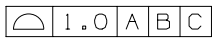
PAGE NUMBER
5 OF 21

NOTES: UNLESS OTHERWISE SPECIFIED

1. MATERIAL FOR INTERFACE:

- A. RESIN:
 - 1. 30% G.F. PBT; 20% MAX. (BY WEIGHT) REGRIND.
 - 2. MATING CONNECTOR INTERFACE PART COLOR MUST BE SAME AS MATCHING KEYED HARNESS CONNECTOR ASSEMBLY.
 - 3. MUST BE VALIDATED FOR INDIVIDUAL DEVICE APPLICATION REQUIREMENTS.
- B. 0.64MM PINS:
 - 1. BASE MATERIAL: COPPER ALLOY; CONDUCTIVITY >= 28% IACS AT 20°C; TENSILE STRENGTH >= 635 N/mm²; SURFACE ROUGHNESS R_a 6 MAX.
 - 2. PLATING FINISH: SILVER (Ag). PLATING TO BE 1.9-3.3 μm ELECTRODEPOSITED SEMI-BRIGHT SILVER OVER 1.25-2.25 μm DUCTILE SULPHAMATE NICKEL PER NOTE 1(D).
 - 3. ANTI-TARNISH: SYNTHETIC HYDROCARBON CONTACT SURFACE FINISH OR EQUIVALENT APPLIED WITHOUT VOID TO CONTACT AREA (MIN 3.7mm FROM PIN TIP).
- C. 2.8MM BLADE:
 - 1. BASE MATERIAL: COPPER ALLOY; CONDUCTIVITY >= 28% IACS AT 20°C; TENSILE STRENGTH >= 350 N/mm²; SURFACE ROUGHNESS R_a 6 MAX.
 - 2. PLATING FINISH: TIN. PLATING TO BE 2.5-5.0 μm ELECTRODEPOSITED TIN, MATTE FINISH OVER 1.25-2.5 μm DUCTILE SULPHAMATE NICKEL PER NOTE 1(D).
- D. PLATING REQUIREMENTS:
 - 1. SILVER PLATING
 - a. 99.5% PURE SEMI-BRIGHT WITH NO ORGANIC BRIGHTNERS OR CHROMATES.
 - 2. NICKEL PLATING
 - a. ELECTRODEPOSITED DUCTILE SULFAMATE NICKEL WITH A NON-BRIGHTENED FINISH. NO ORGANIC OR BRIGHTENING AGENTS SHALL BE ALLOWED.
 - b. SHALL ONLY BE USED AS AN UNDERLYING PLATING AND MAY NOT BE USED AS AN ELECTRICAL CONTACT SURFACE PLATING.
 - c. SHALL BE NODULE FREE WHEN VIEWED AT 10X MAGNIFICATION IN MEASURED IN CONTACT SURFACE AREA PLUS 0.5MM PERIMETER AROUND THE CONTACT SURFACE AREA.
 - d. ALL PLATINGS SHALL HAVE A 1.0% MAXIMUM BY WEIGHT IMPURITIES. IMPURITIES ARE DEFINED AS ALL ELEMENTS NOT THE PRIMARY PLATING OR HARDENING AGENT IF APPLICABLE, AS DETERMINED BY WET CHEMICAL ANALYSIS OR AUGER METHOD. NO SINGLE IMPURITY SHALL EXCEED 0.1% MAXIMUM BY WEIGHT.
 - 3. TESTING
 - a. THICKNESS TO BE MEASURED IN CONTACT SURFACE AREA PLUS 0.5MM PERIMETER AROUND THE CONTACT SURFACE AREA AS DESIGNATED IN THE DRAWING. THICKNESS SHALL BE DETERMINED BY METHOD OF X-RAY (XRF).
 - b. PLATING ADHESION SHALL BE TESTED BY A BEND TEST FOR ALL METALS. THE TEST SAMPLE SHALL BE BENT 90 DEGREES TO DETERMINE DEPOSIT ADHESION. TESTING SHALL BE COMPLETED IN ACCORDANCE WITH ASTM SPEC B571.


2. DESIGN - GENERAL:

- A. THIS IS A 100% CAD GENERATED PART. THE CAD MATHEMATICAL DATA IS THE MASTER FOR THIS PART. FOR DIMENSIONAL OR ANY INFORMATION NOT SHOWN ON THIS DRAWING, ANALYZE THE CAD MODEL.
- B. TOLERANCES:
 - 1. LINEAR
 - 0.X ± 0.30
 - 0.XX ± 0.10
 - 0.XXX ± 0.10
 - 2. ANGULAR X° ± 3°
 - 3.  1.0 A B C
- C. MINIMUM WALL THICKNESS REQUIRED: 1.3mm.
- D. CORNERS SHOWN AS SHARP TO BE R 0.2 MAX.
- E. LETTERING SHALL BE 0.15 MAX RAISED IN 0.20 MAX RECESS PAD. THIS INCLUDES MATERIAL CODE, RECYCLING CODE, CAVITY ID AND DATE CODE.
- F-1. PARTS MUST BE FREE OF DISCOLORATION, SALT RESIDUE AND OTHER IMPERFECTIONS THAT AFFECT FIT OR FUNCTION.
- F-2. SCRATCHES OR DENTS NOT TO EXCEED 0.013mm IN DEPTH.
- G. FOLLOWING PRODUCTION CODES TO BE PERMANENTLY MARKED & HUMAN READABLE TO A LETTER HEIGHT OF 1.5 ± 0.5MM X 0.3 MAX DEEP
 - 1. MATERIAL #: XXXXX-XXXX
 - 2. DATE CODE: JJYY (JULIAN DAY, LAST DIGIT OF YEAR)
 - 3. INSPECTION MACHINE CODE + SERIAL #: X_XXXXX

3. DESIGN - MANUFACTURING:

- A. DRAFT TO BE WITHIN TOLERANCE.
- B. ALLOWABLE FLASH MAX 0.2 HIGH X MAX 0.13 THICK.
- C. ALLOWABLE PARTING LINE MISMATCH 0.2 MAX.
- D. EJECTOR PINS MARK TO BE FLUSH TO 0.25 MAX DEPRESSED.
- E. ALLOWABLE GATE VESTIGE FLUSH TO 0.25 MAX PROTRUSION.
- F. NO EXTERNAL MOLD RELEASE AGENT ALLOWED DURING MANUFACTURING.
- G. STEEL THAT FORMS THE INDICATED SURFACE MUST BE POLISHED WITH A DIAMOND FINISH (SPI A-2) OVER THE FULL PERIPHERY OF THE TOOL. SURFACE MUST HAVE NO MISMATCH.
- H. ANY PROCESS LUBRICANT REMAINING ON THE TERMINAL MUST NOT VARNISH OR DEGRADE IT'S ELECTRICAL PERFORMANCE UP TO A MAXIMUM CLASS AMBIENT TEMPERATURE PER SAE USCAR-2 FOR 1008 HOURS. PROCESS LUBRICANTS SHOULD BE APPROVED BY THE RESPONSIBLE ENGINEER.
- J. OPTIONAL FEATURES PROVIDED FOR AUTOMATION.
- K. PART MUST BE FREE FROM BURRS AND SHARP EDGES, WHICH MIGHT BE DETRIMENTAL TO SATISFACTORY ASSEMBLY, SAFE HANDLING OR FUNCTION OF PART.
- L. PARTS AS DELIVERED TO ASSEMBLY SHALL BE CLEAN AND FREE OF DEBRIS, RESIDUAL ABRASIVE MATERIAL AND CORROSION PRODUCTS ADVERESLY AFFECTING FUNCTION OR APPEARANCE.
- M. RESTRICTED AND REPORTABLE SUBSTANCES FOR PARTS PER GMW3059.

002C

	PAGE TITLE	DRAWING NUMBER	DWG STATUS			PAGE NUMBER	
	NOTES		12642695	ST	REV	PDI	6 OF 21
				R	002		

NOTES: UNLESS OTHERWISE SPECIFIED

4. SYSTEM REQUIREMENTS:

- A. HARNESS CONNECTOR IS COMPATIBLE WITH THE FOLLOWING SAE WIRE SIZE NO'S:
 - 14, MEETING SAE J1128
 - 18, MEETING SAE J1128, MAX O.D. OF 2.06 MM
 - 20, MEETING SAE J1128
 - 22, MEETING SAE J1128, MIN O.D. OF 1.47 MM
- B. CABLE TIE SPECIFICATIONS:
 - 1. CABLE TIE:
 - TENSILE RATING: 220N / (50lbs) MIN
 - TIE LENGTH: 186mm MIN
 - TIE WIDTH: 4.75mm MAX
 - MATERIAL: NYLON
 - 2. INSTALLATION:
 - CABLE TIE TENSION: 190N MIN
 - 3. DRESSED WIRE BUNDLE PACKAGING: SEE FIG. 1
- C. WHEN MATED WITH COMPONENT CONNECTOR INTERFACE AND/OR DRESS COVER, HARNESS CONNECTOR SYSTEM CONFORMS TO THE FOLLOWING:
 - 1. SAE/USCAR-2, REV: 3 APRIL, 2001; CLASS 3
 - 2. FIELD CORRELATED LIFE TEST, SAE/USCAR-20, NOV. 2001
 - 3. GMW #3191 AUGUST 22, 2000 (DRAFT); TEMPERATURE CLASS 3, SEALING CLASS 1, VIBRATION CLASS 2
 - 4. RESTRICTED AND REPORTABLE CHEMICALS PER GMW #3059, REV: D AUGUST 2002
 - 5. TPA USER FORCES (FULLY POPULATED WITH TERMINALS)
 - a. REMOVAL FROM LOCK TO PRE-SET: <=120N
- D. WIRE SPECIFICATIONS:
 - 1. WIRE SURFACE MUST BE FREE OF SCRATCHES, GROOVES OR DENTS WHERE FUNCTIONAL

5. TERMINAL CURRENT RATINGS:

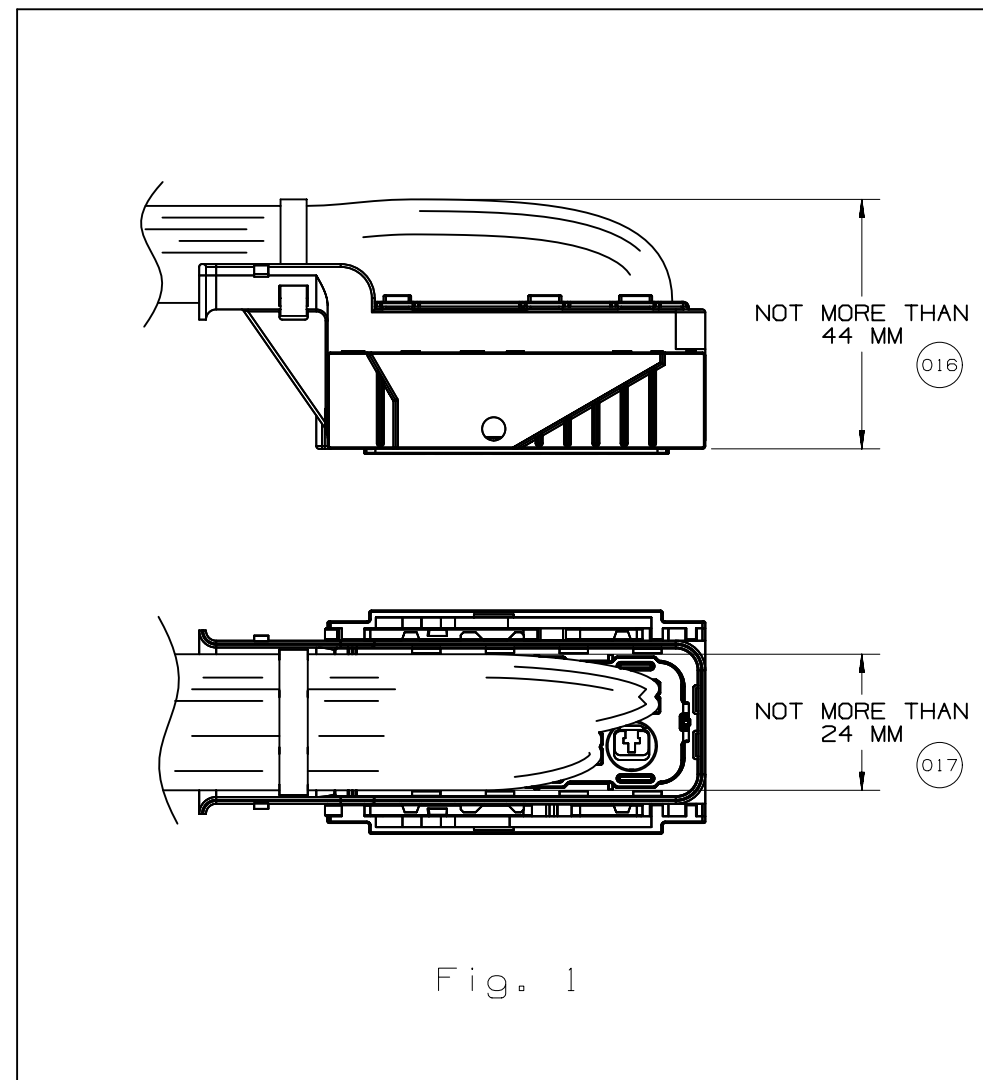
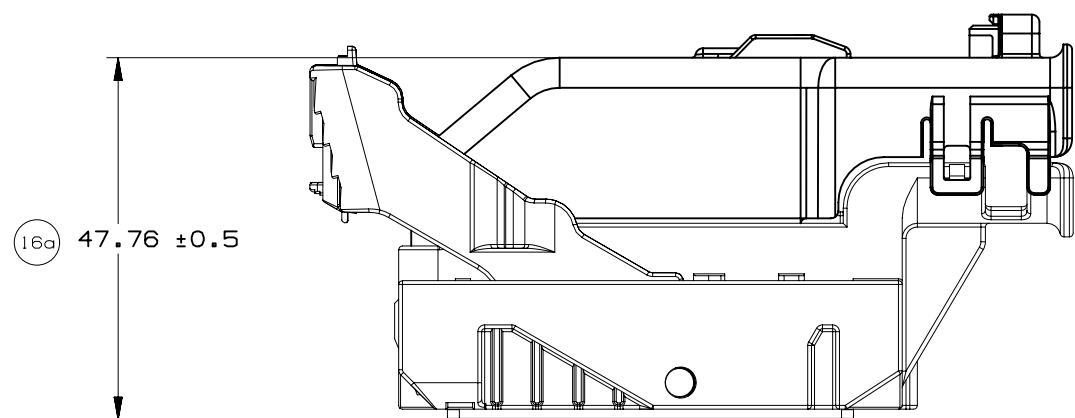
ALL TESTING DONE IN ACCORDANCE WITH USCAR-2 REV5 SECTION 5.3

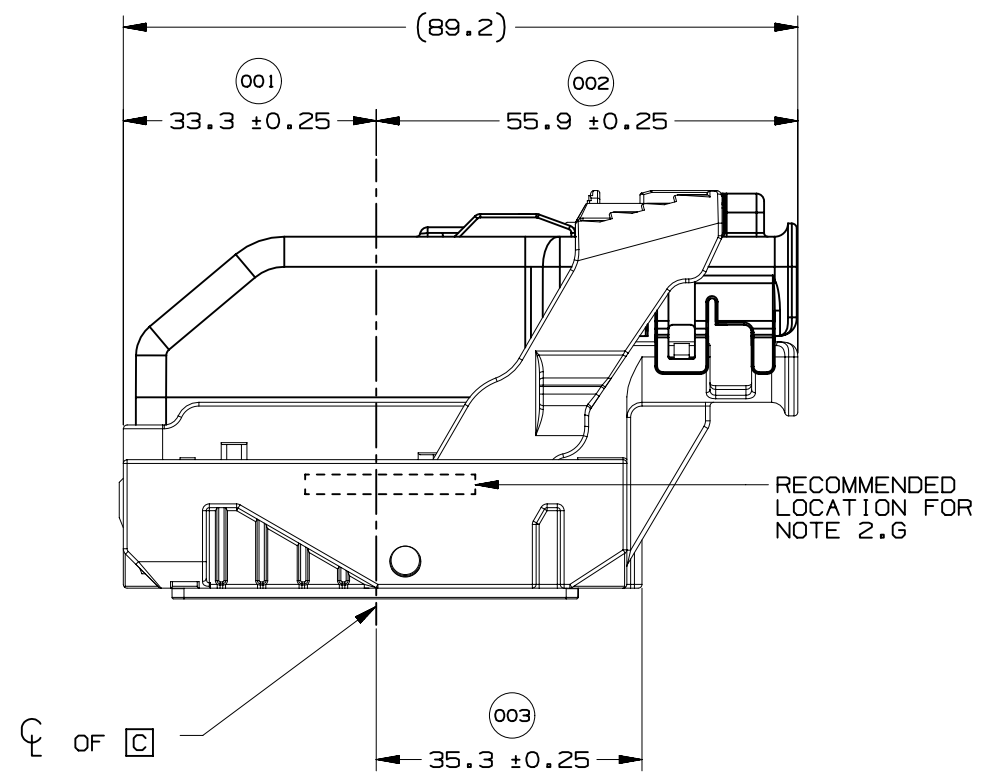
- A. MX64 RCPT TERM
 - 1. MX64 RCPT TERM Ag 18/20 GAGE CRIMPED TO SAE WIRE SIZE NO.18 AND MATED TO MX123 0.64MM PIN: 11.3 AMPS
 - 2. MX64 RCPT TERM Ag 22 GAGE CRIMPED TO SAE WIRE SIZE NO.22 AND MATED TO MX123 0.64MM PIN:8.5 AMPS

WIRE	CURRENT RATING			
	23°C	85°C	105°C	125°C
18AWG	11.3A	11.3A	9.5A	6.6A
20AWG	10.0A	10.0A	8.3A	5.7A
22AWG	8.6A	8.6A	7.1A	5.0A

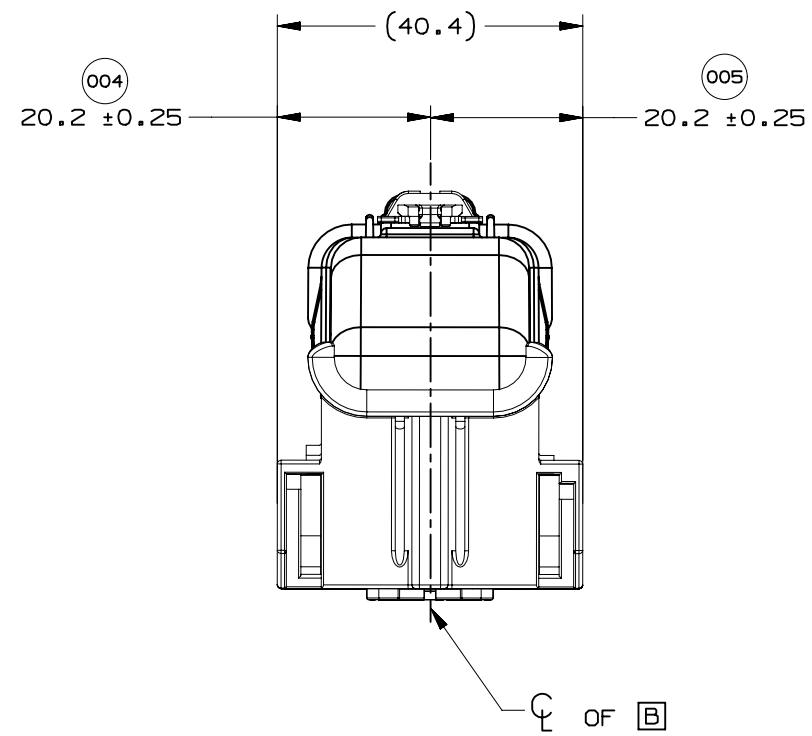
- B. 2.8MM RCPT TERM
 - 1. 2.8MM RCPT TERM TIN 14 GAGE CRIMPED TO SAE WIRE SIZE NO.14 AND MATED TO MX123 2.8MM BLADE: 25.6 AMPS

6. CONTACT MOLEX AUTOMOTIVE FOR AVAILABLE CUSTOM PATTERNS OF CAVITIES OPEN FOR CIRCUITS

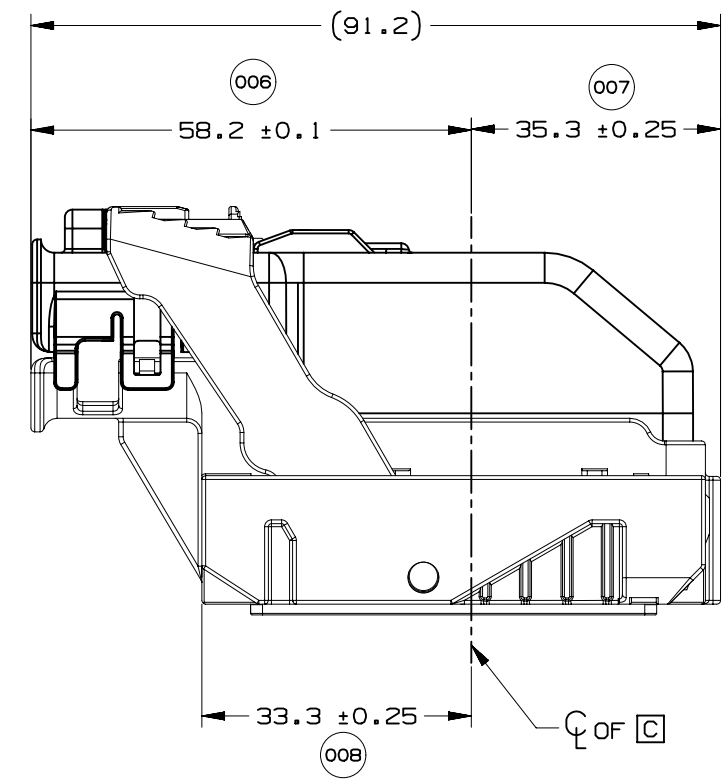




WIRE DRESS OPTION 0 SHOWN

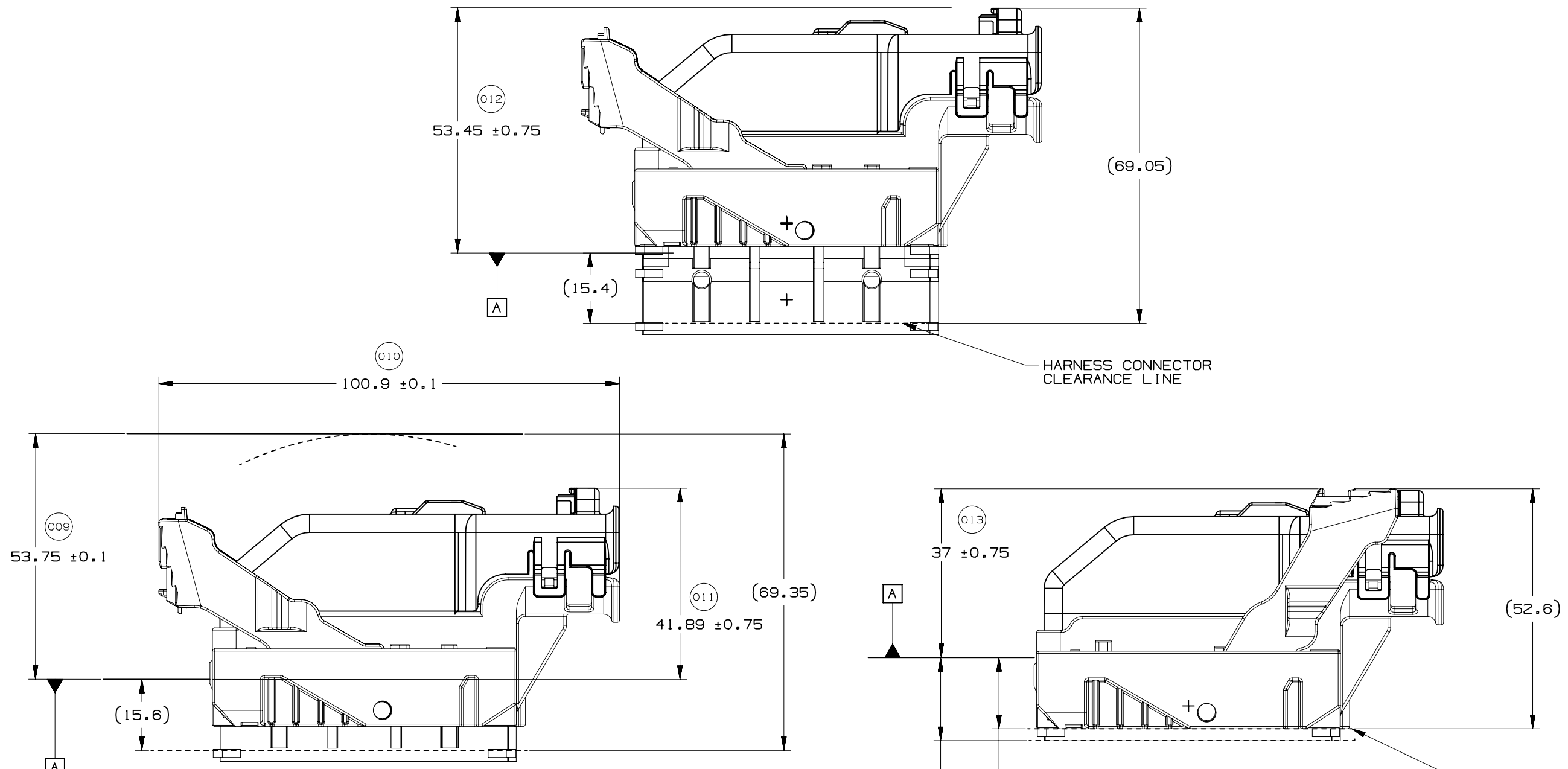


WIRE DRESS OPTION 0 SHOWN



WIRE DRESS OPTION 9 SHOWN





HARNESS CONNECTOR CLEARANCE LINE

HARNESS CONNECTOR ASSEMBLY IN FULLY-MATED POSITION

HARNESS CONNECTOR CLEARANCE LINE

15.6 MIN. ALL AROUND CLEARANCE REQUIRED FOR HARNESS CONNECTOR (014)

17.9 MIN. AT PAD LOCATION CLEARANCE REQUIRED FOR HARNESS CONNECTOR CONSTRUCTION BELOW THIS PLANE IS NOT CONTROLLED (015)

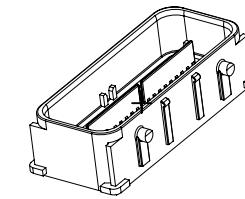
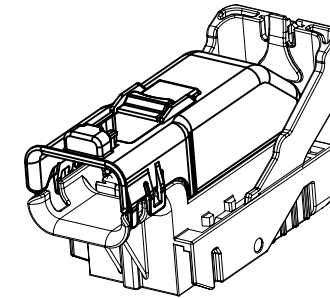
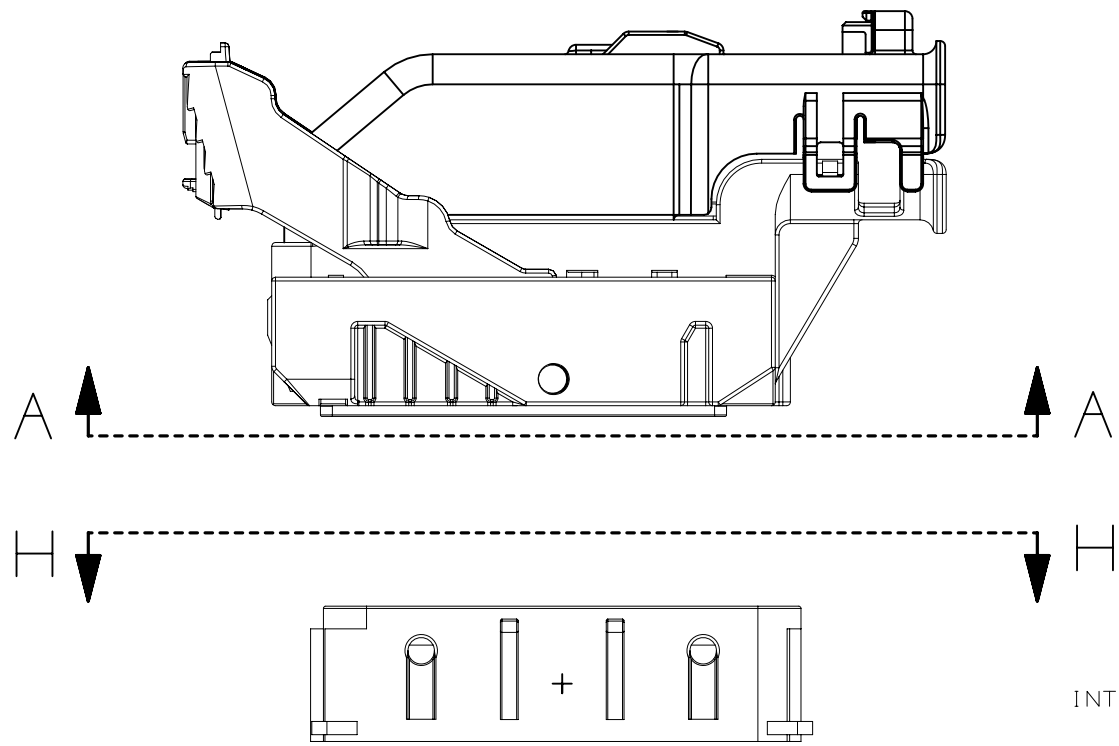


PAGE TITLE
 LOCATION AND PACKAGING DIMENSIONS
 REFERENCING INTERFACE DATUM A

DRAWING NUMBER
 12642695

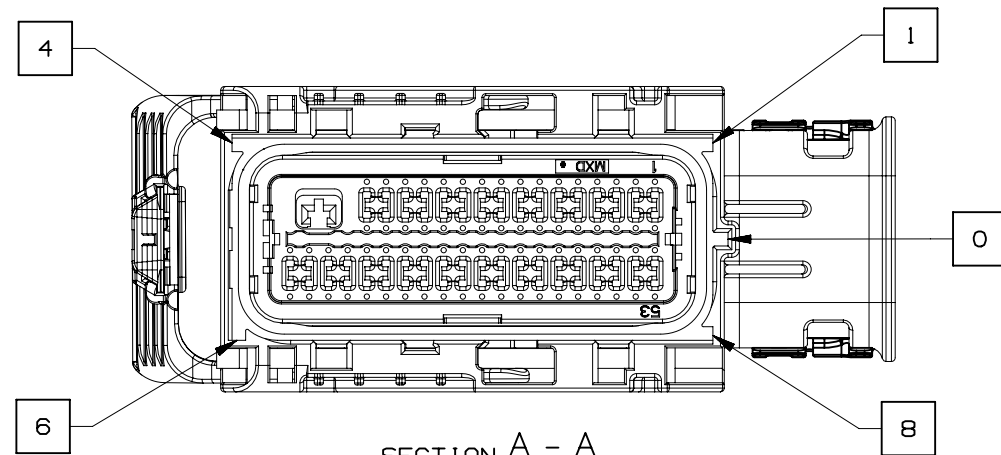
DWG STATUS		
ST	REV	PD1
R	002	

PAGE NUMBER
 10 OF 21

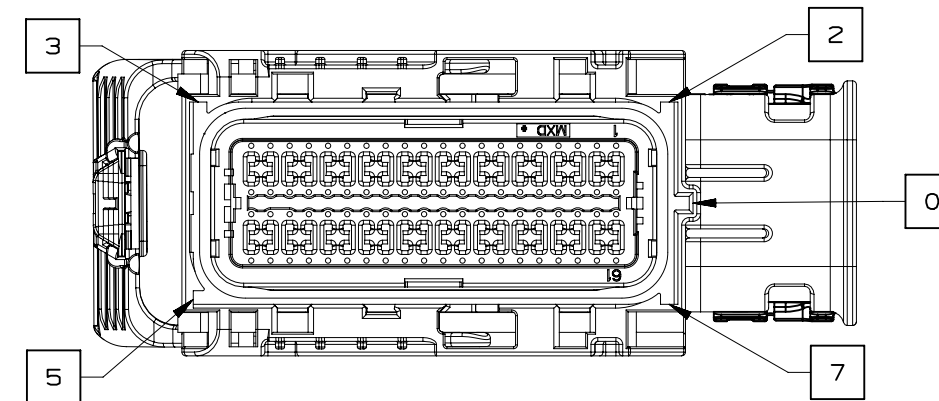


NOTE: REFERENCE THE COMPONENT TABLE FOR KEY OPTIONS AND CONFIGURATIONS

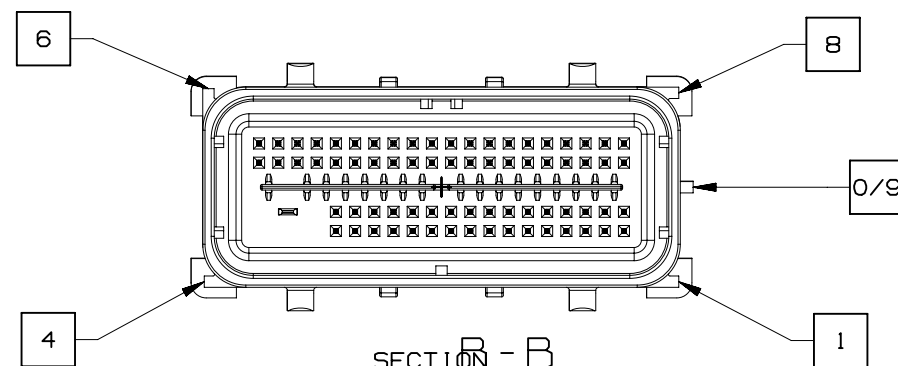
INTERFACE SIDE SHOWN ON ALL SECTION VIEWS



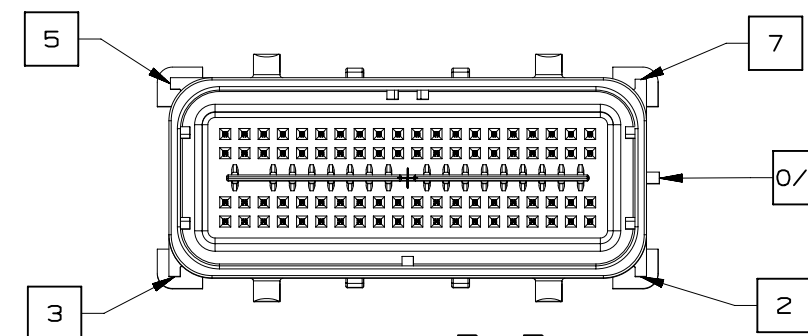
SECTION A - A
KEY OPTION B SHOWN



SECTION A - A
KEY OPTION K SHOWN



SECTION B - B
KEY OPTION B SHOWN



SECTION B - B
KEY OPTION K SHOWN

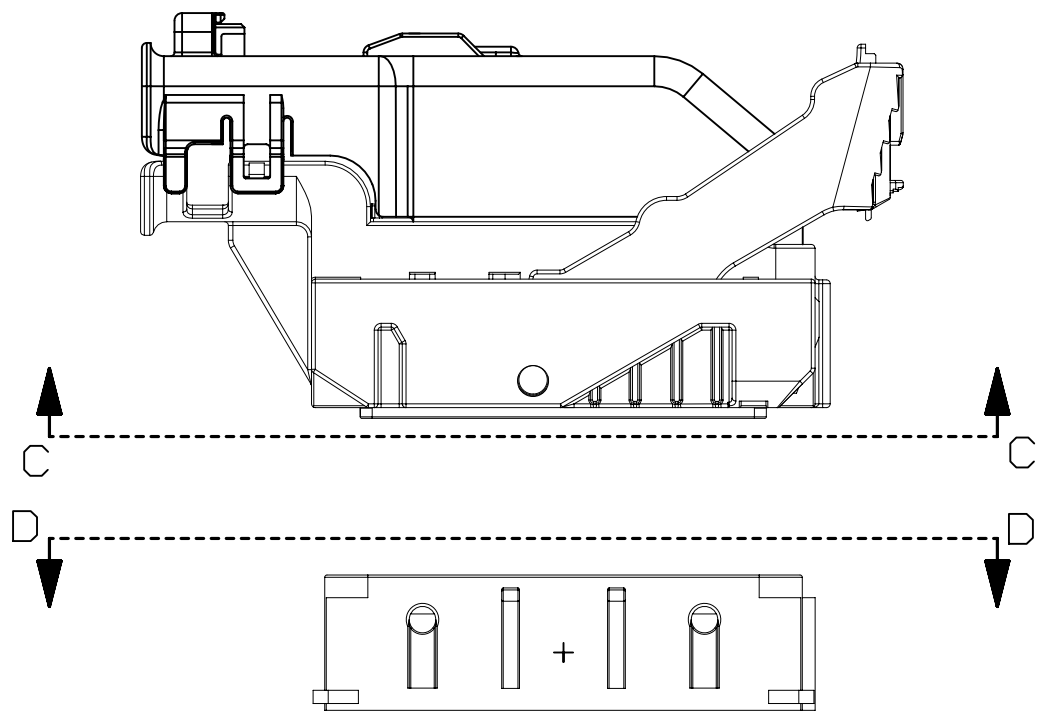


PAGE TITLE
KEY ID REF - WIRE DRESS OPTION 0

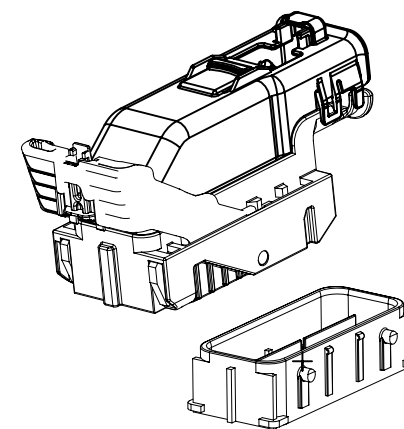
DRAWING NUMBER
12642695

DWG STATUS		
ST	REV	PD1
R	002	

PAGE NUMBER
11 OF 21

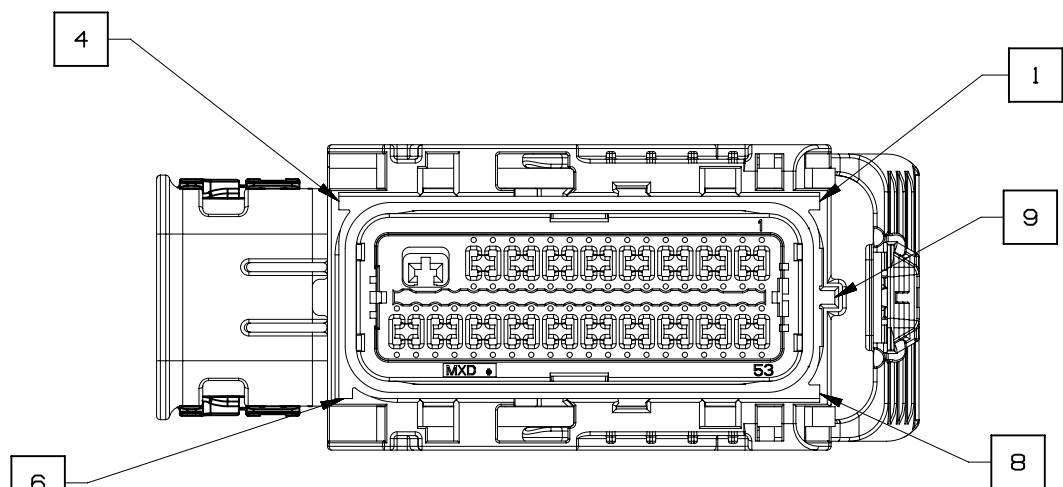


INTERFACE SIDE SHOWN ON ALL SECTION VIEWS

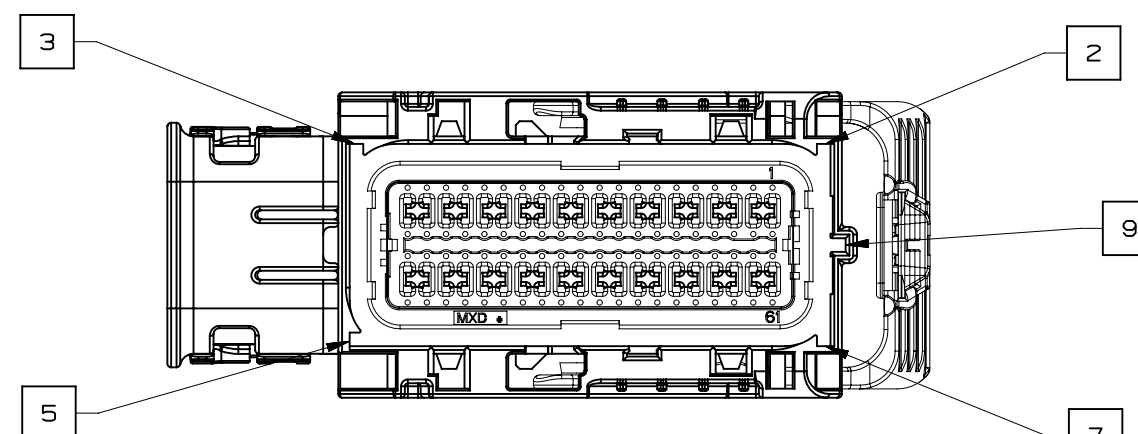


NOTE: REFERENCE THE COMPONENT TABLE FOR KEY OPTIONS AND CONFIGURATIONS

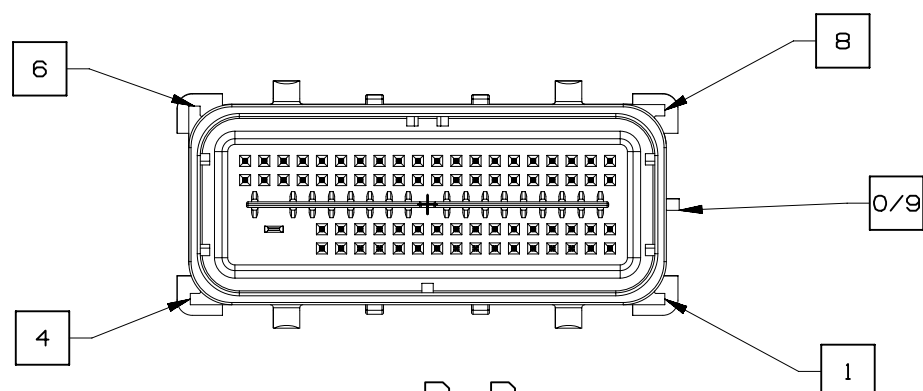
VIEW V



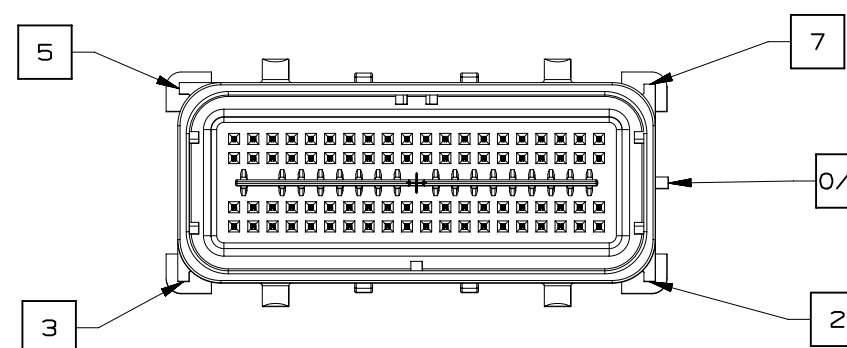
SECTION C-C
KEY OPTION B SHOWN



SECTION C-C
KEY OPTION K SHOWN



SECTION D-D
KEY OPTION B SHOWN



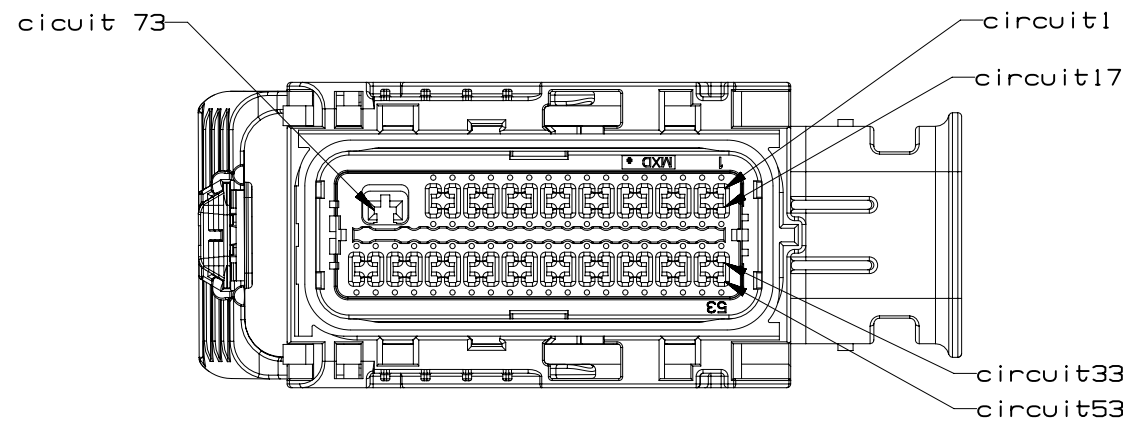
SECTION D-D
KEY OPTION K SHOWN



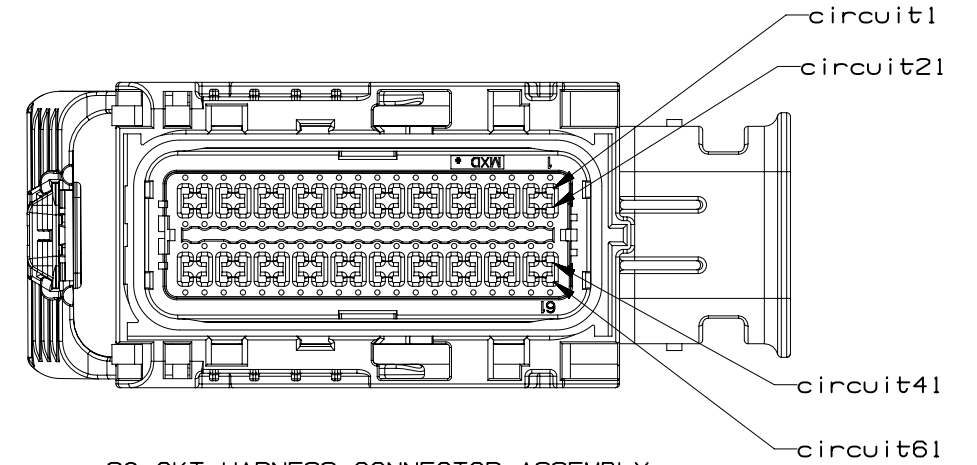
PAGE TITLE
KEY ID REF - WIRE DRESS OPTION 9

DRAWING NUMBER
12642695

DWG STATUS			PAGE NUMBER
ST	REV	PD1	
R	002		12 OF 21

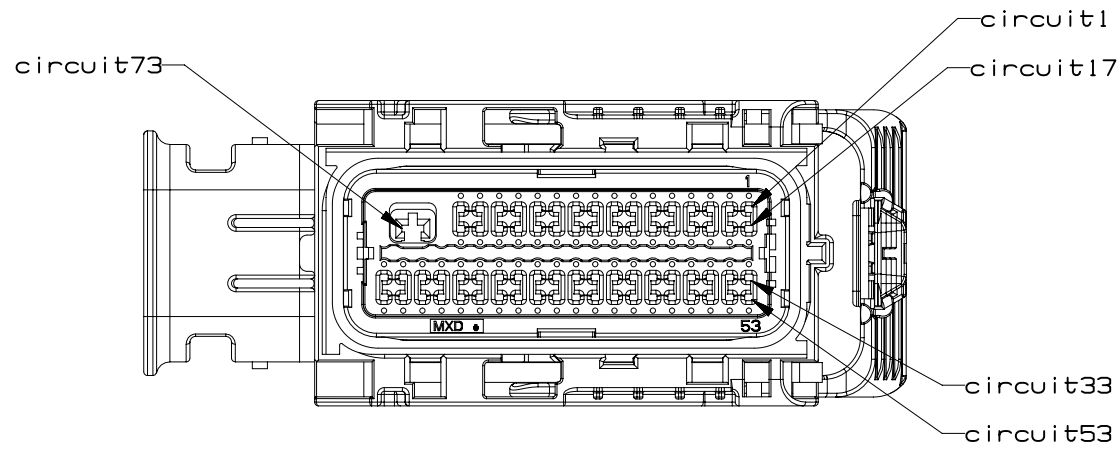


73 CKT HARNESS CONNECTOR ASSEMBLY
WIRE DRESS OPTION 0

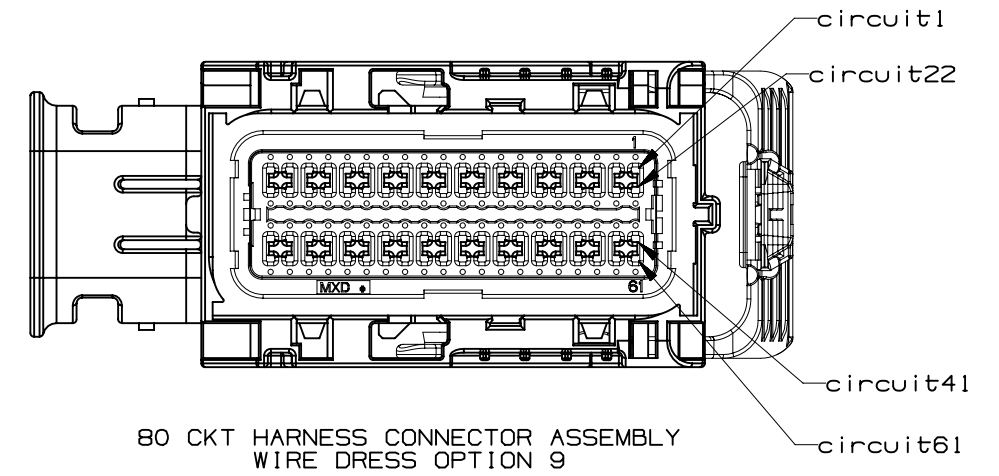


80 CKT HARNESS CONNECTOR ASSEMBLY
WIRE DRESS OPTION 0

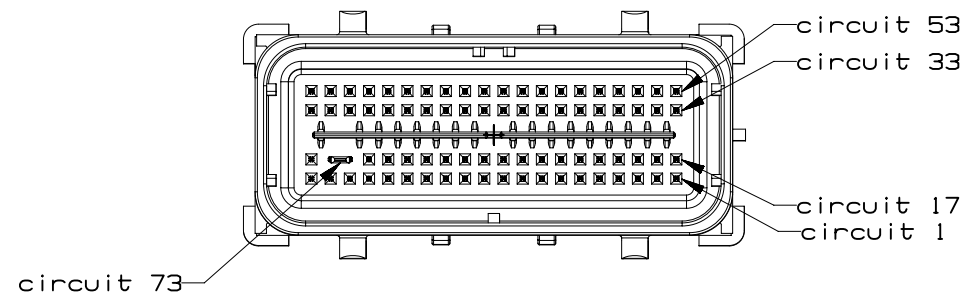
INTERFACE SIDE SHOWN ON ALL VIEWS



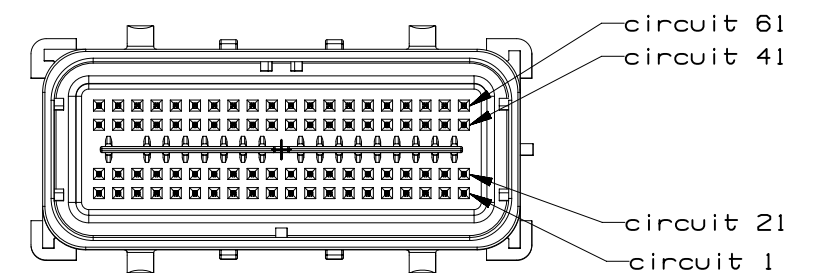
73 CKT HARNESS CONNECTOR ASSEMBLY
WIRE DRESS OPTION 9



80 CKT HARNESS CONNECTOR ASSEMBLY
WIRE DRESS OPTION 9

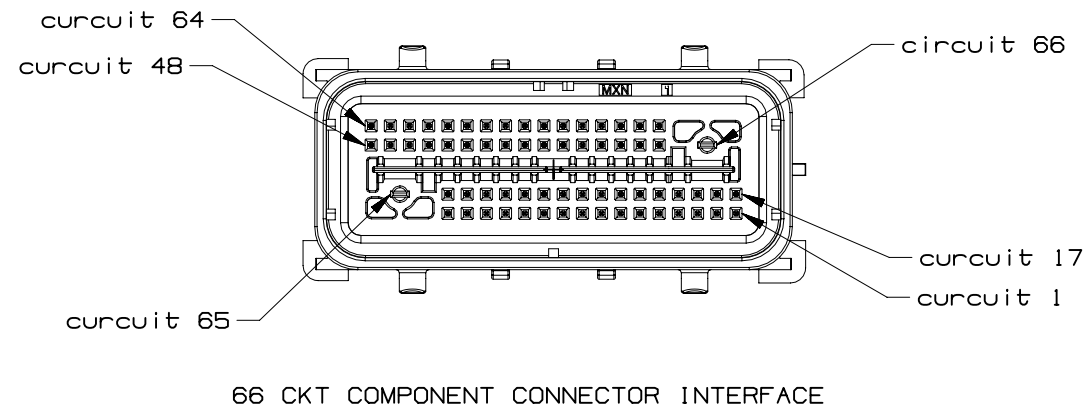
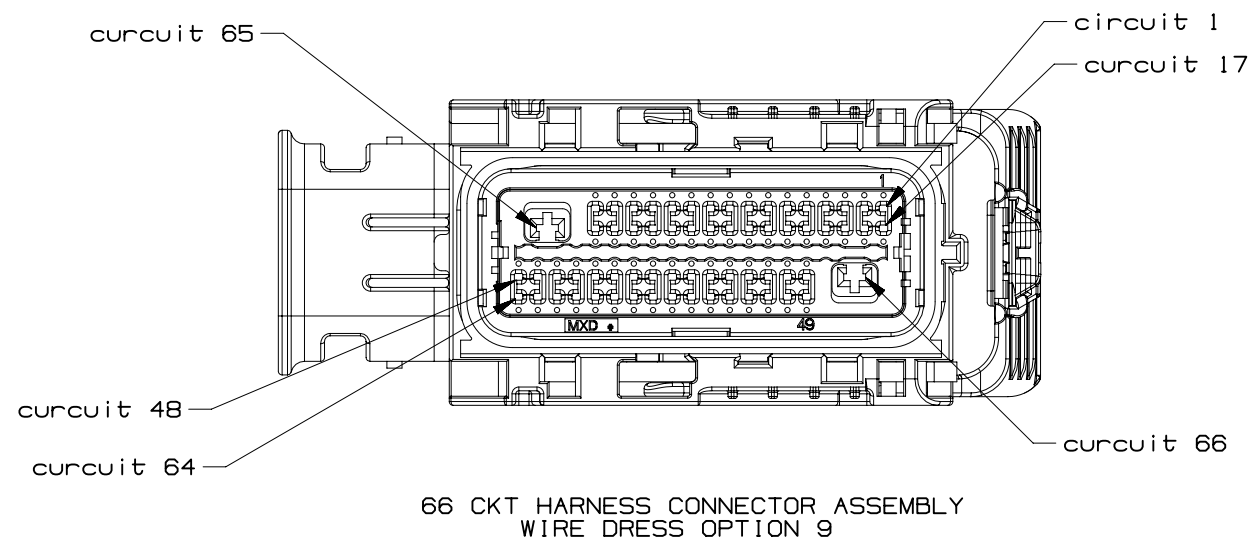
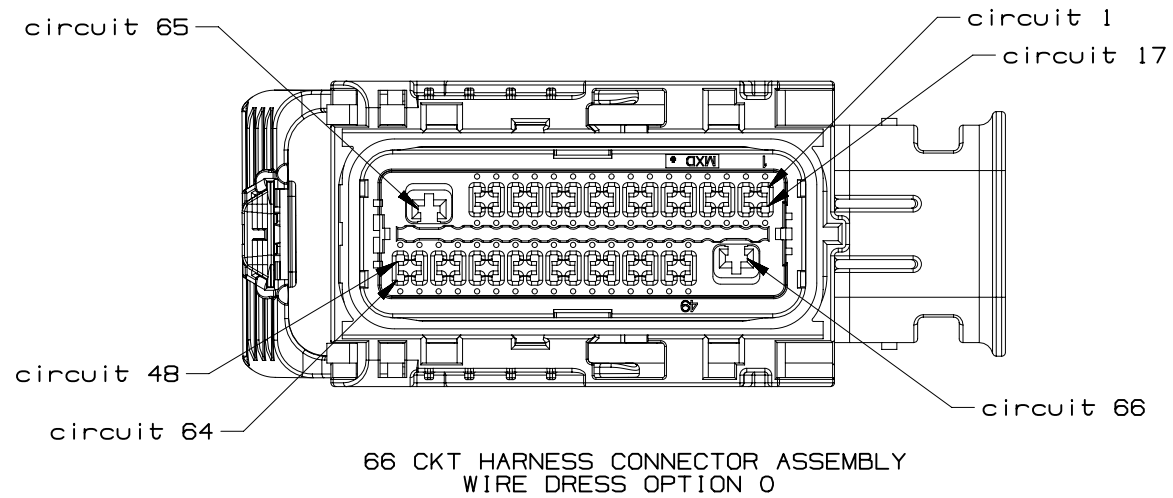


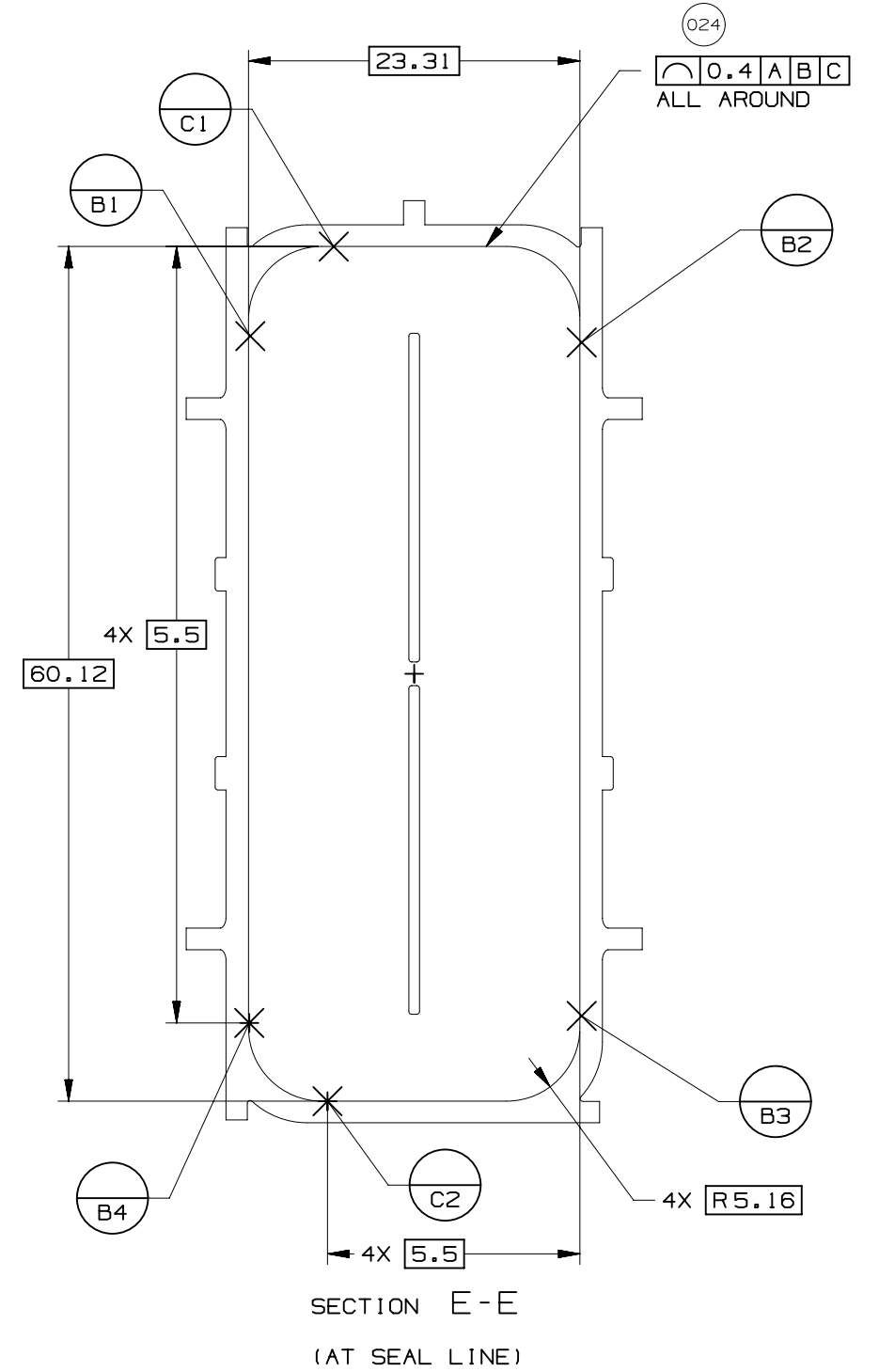
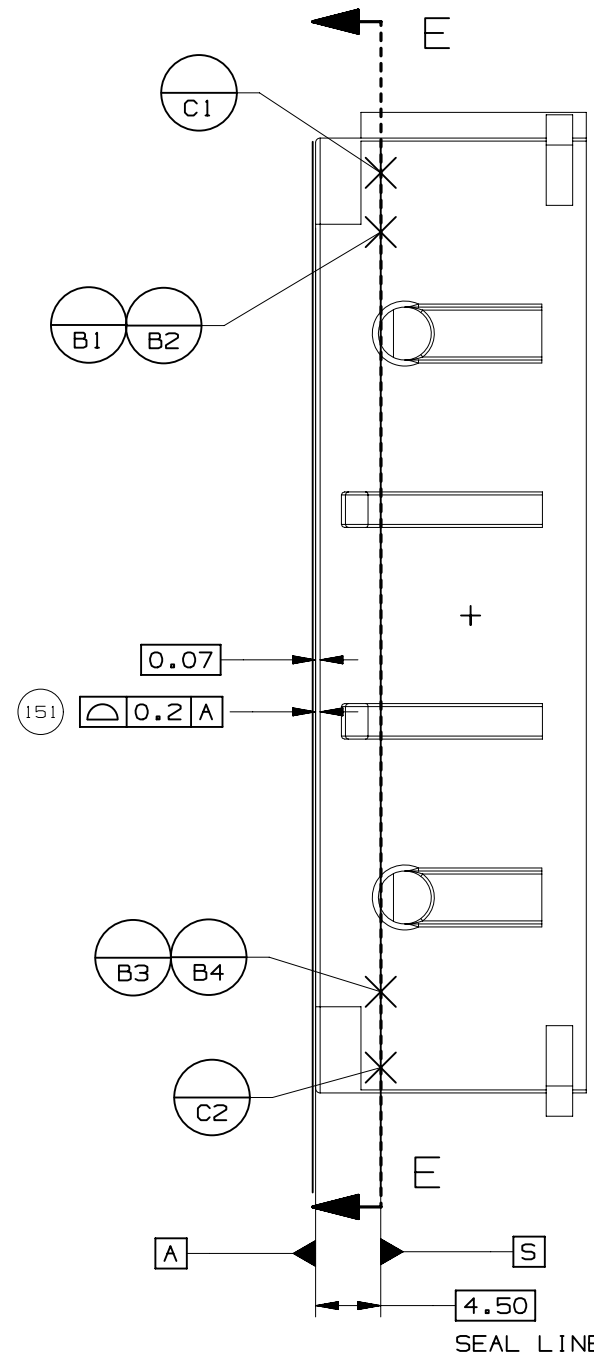
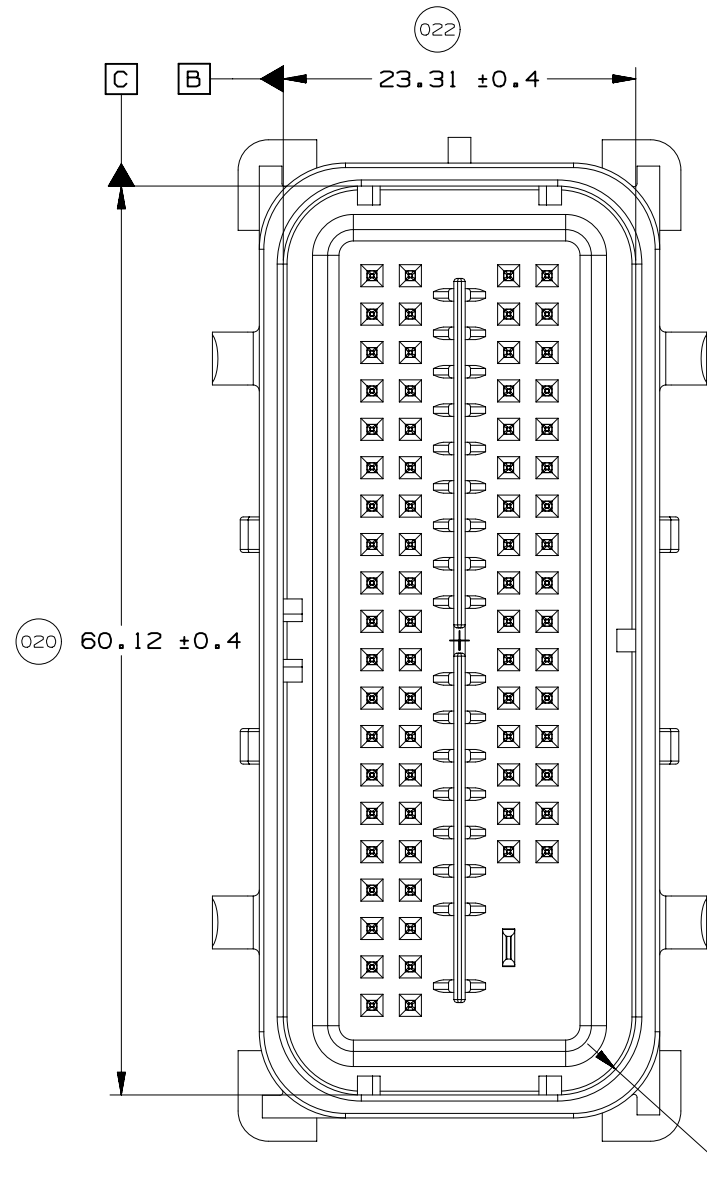
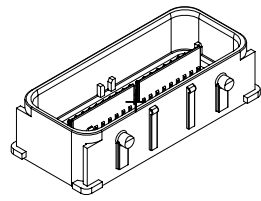
73 CKT COMPONENT CONNECTOR INTERFACE



80 CKT COMPONENT CONNECTOR INTERFACE







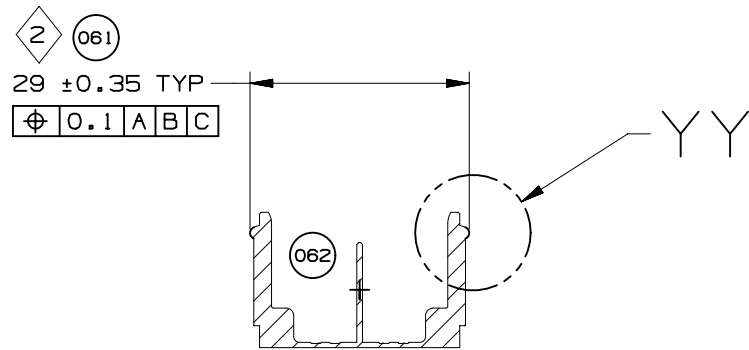
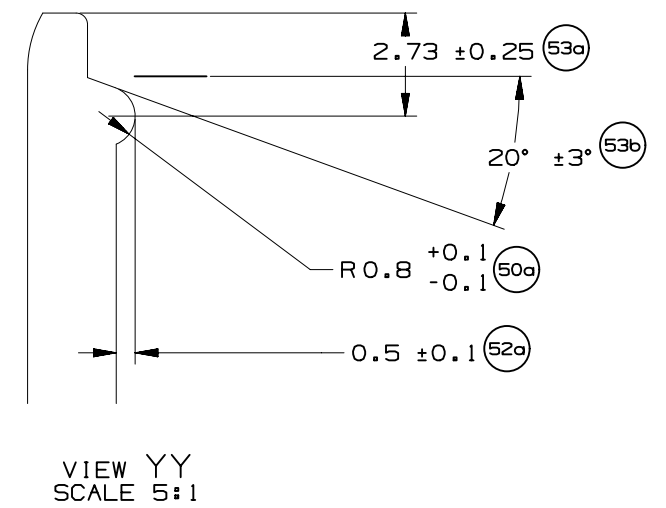
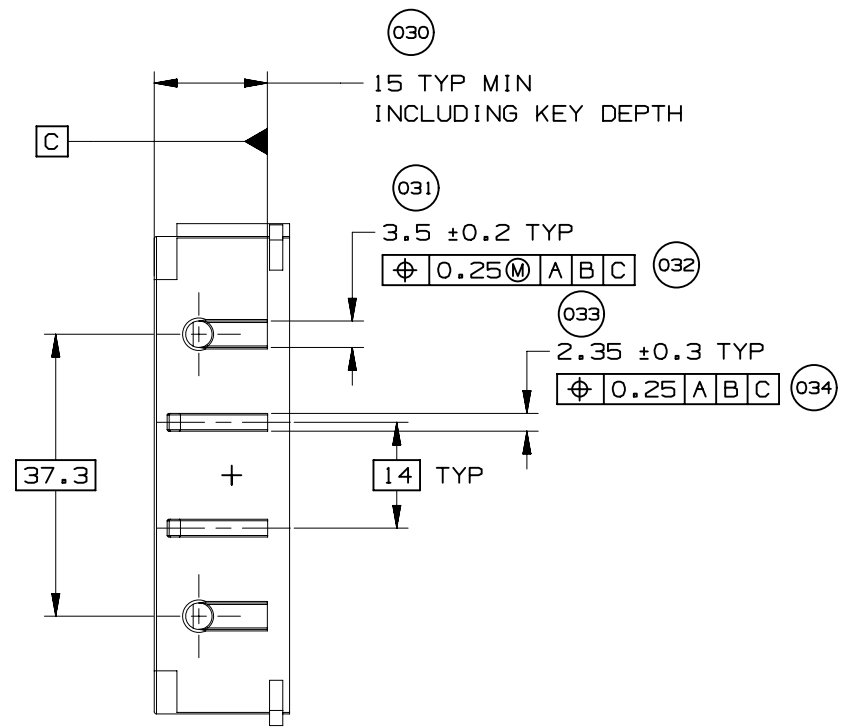
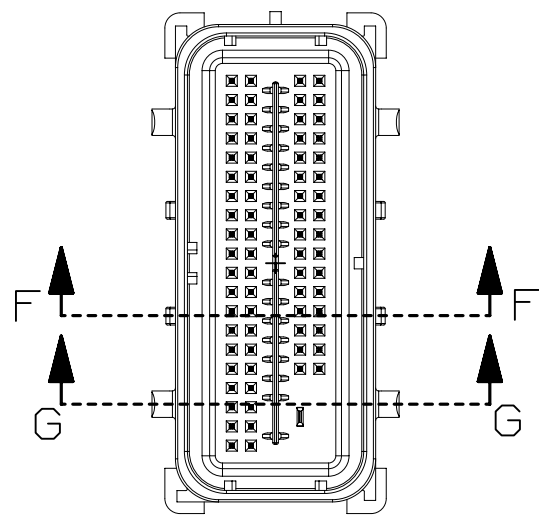
UNLESS SPECIFIED, TOLERANCE OF THE COMPONENT CONNECTOR INTERFACE TO BE $\sqrt[0.13]{A B C}$



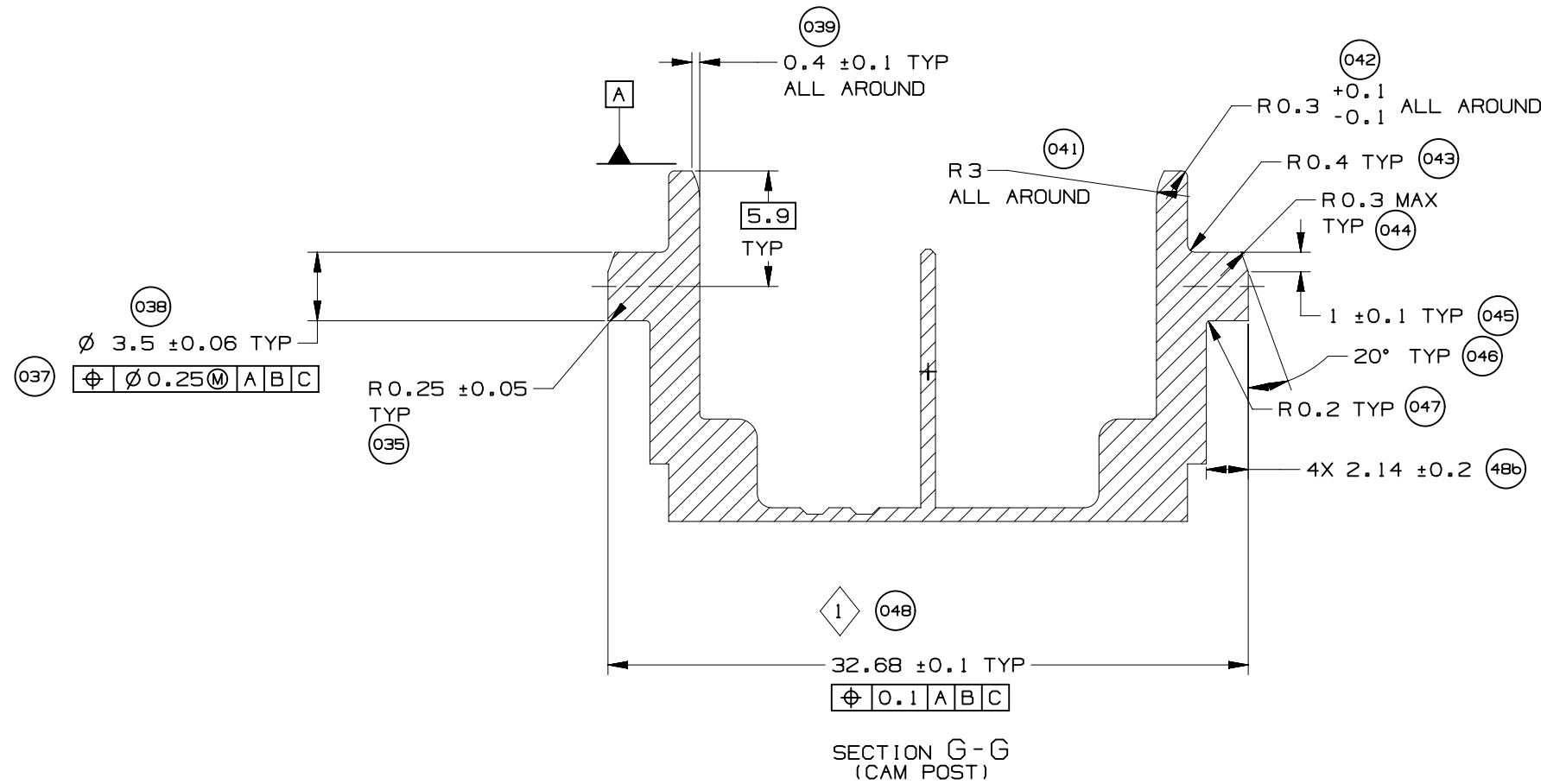
PAGE TITLE
COMPONENT CONNECTOR INTERFACE

DRAWING NUMBER
12642695

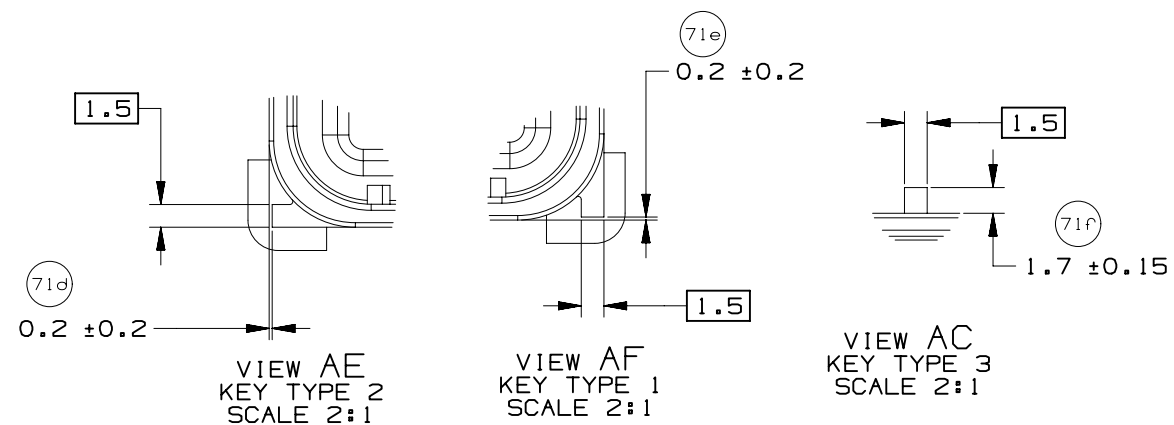
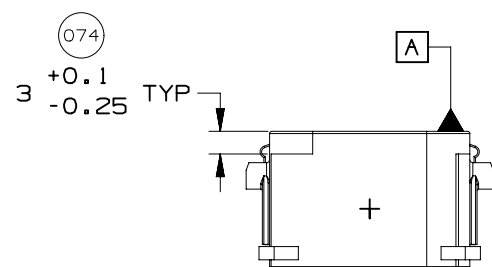
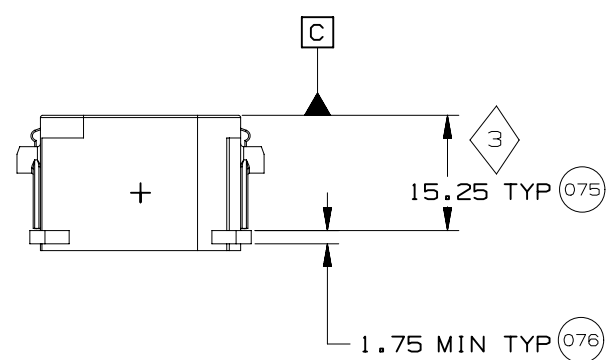
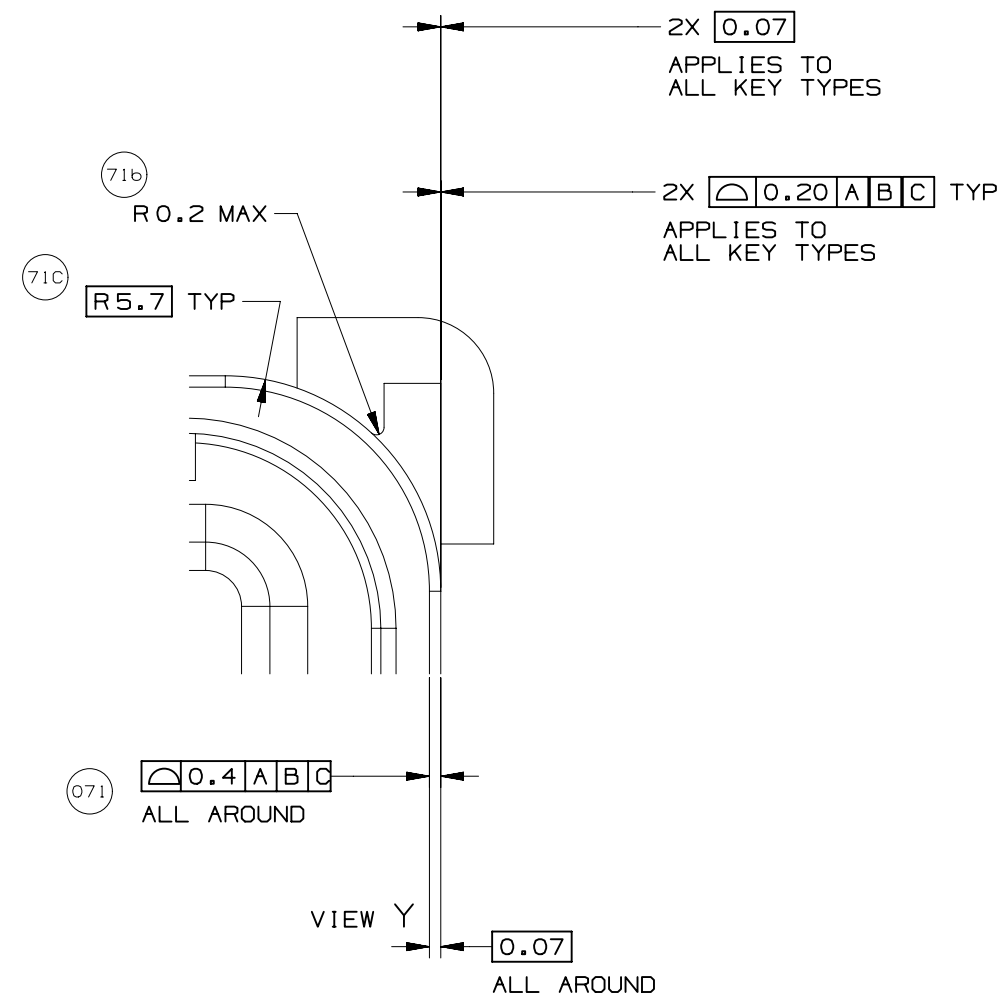
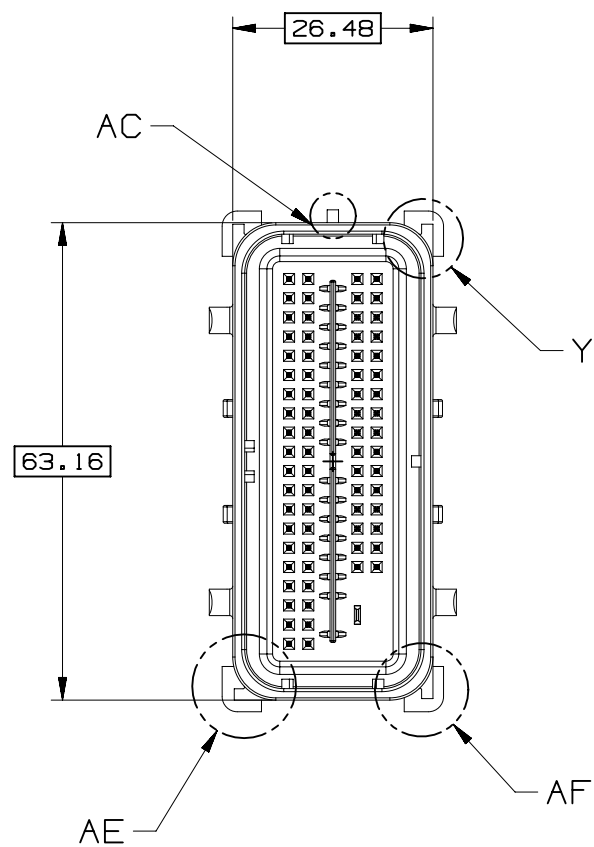
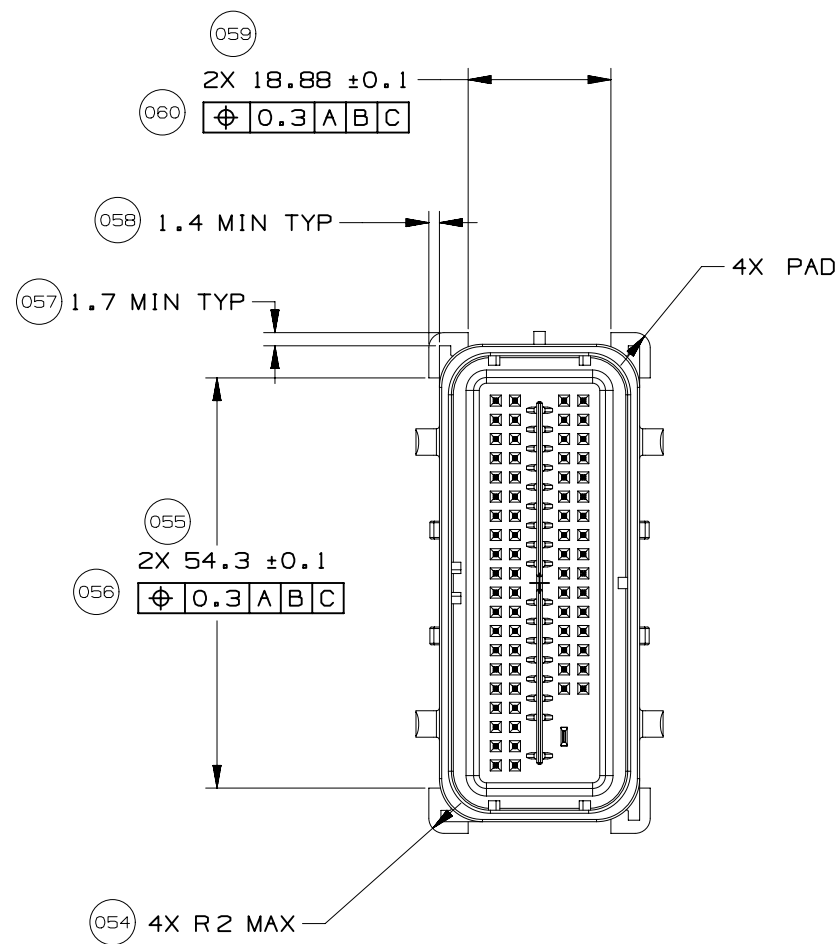
DWG STATUS			PAGE NUMBER
ST	REV	PD1	
R	002		15 OF 21



SECTION F-F



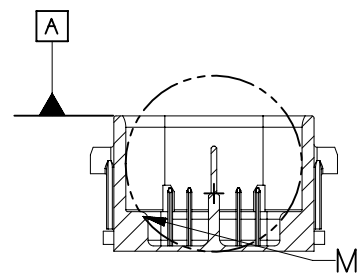
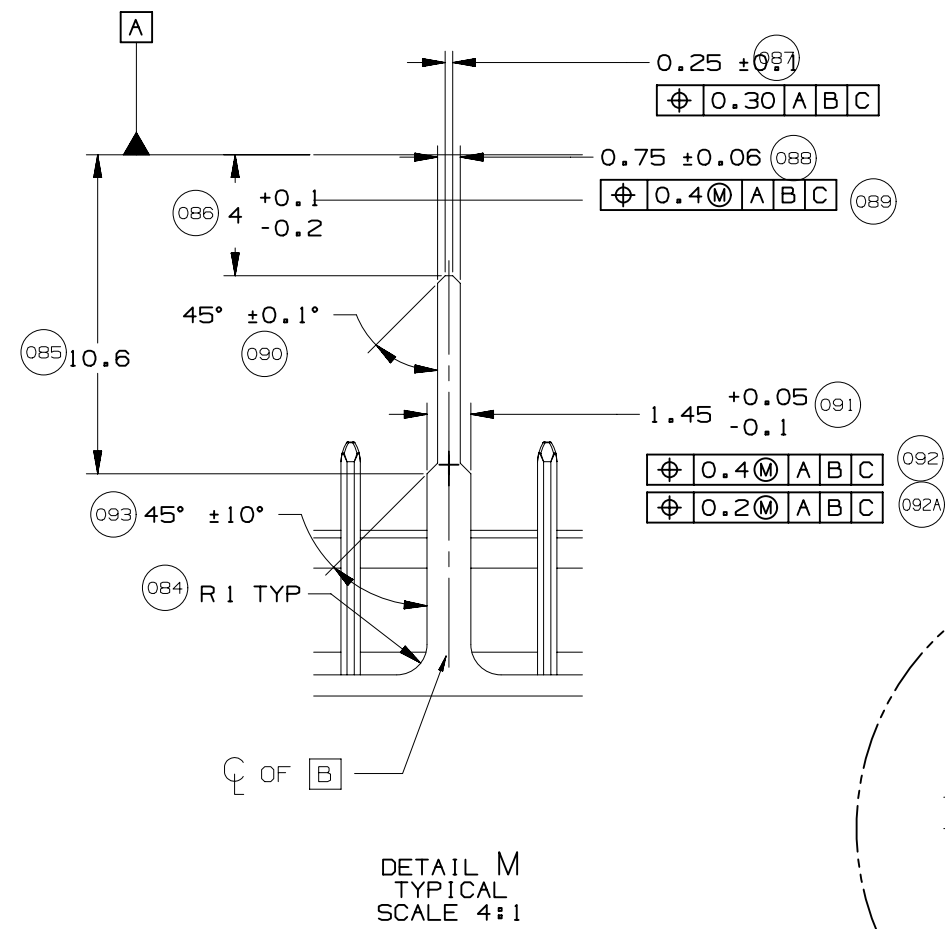
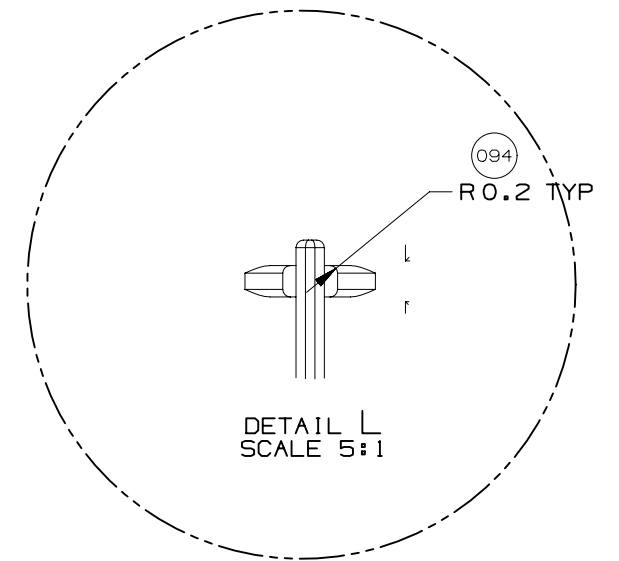
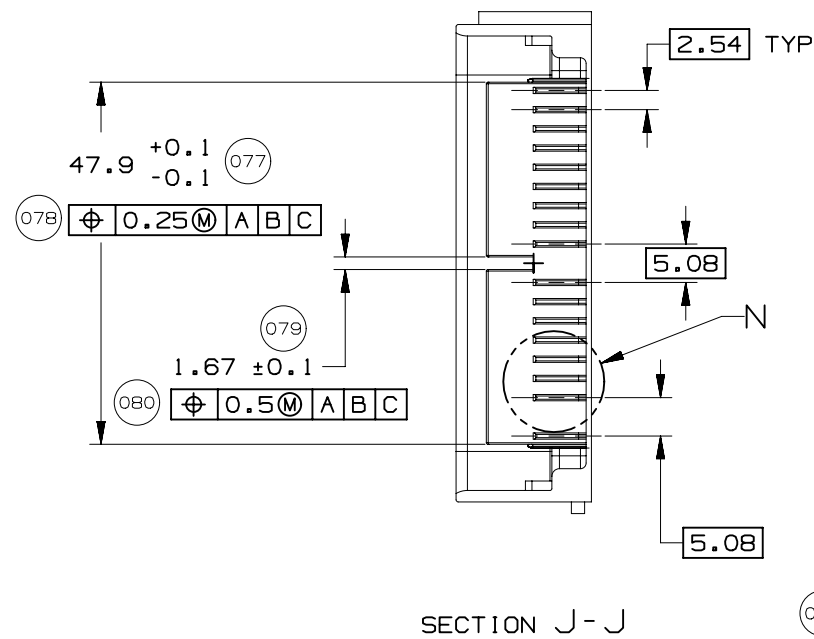
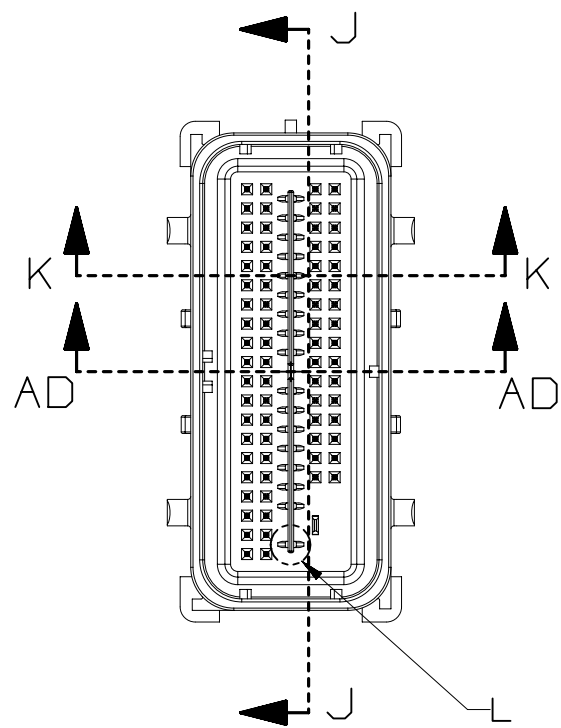
SECTION G-G
(CAM POST)



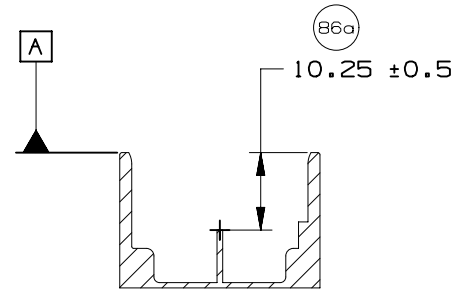
PAGE TITLE
 COMPONENT CONNECTOR INTERFACE

DRAWING NUMBER
 12642695

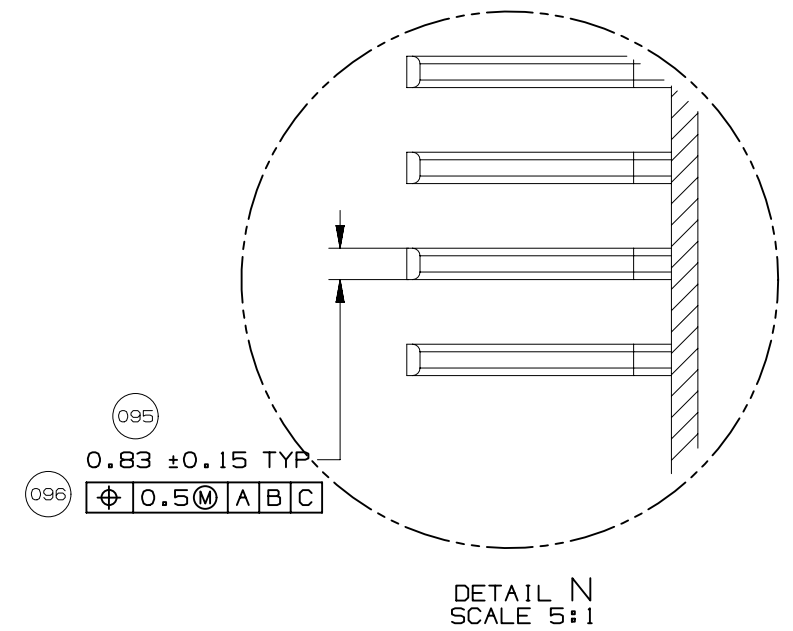
DWG STATUS			PAGE NUMBER
ST	REV	PD1	
R	002		17 OF 21



SECTION K-K

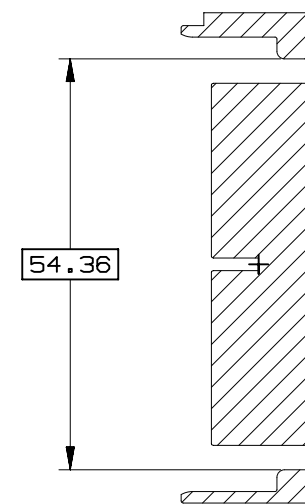
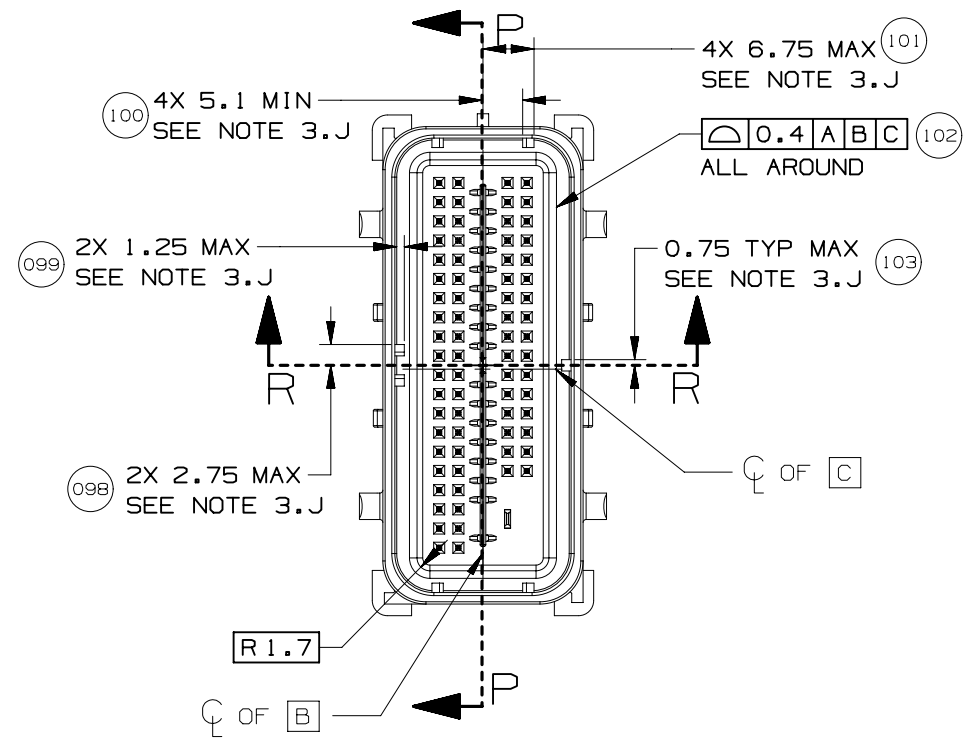


SECTION AD-AD

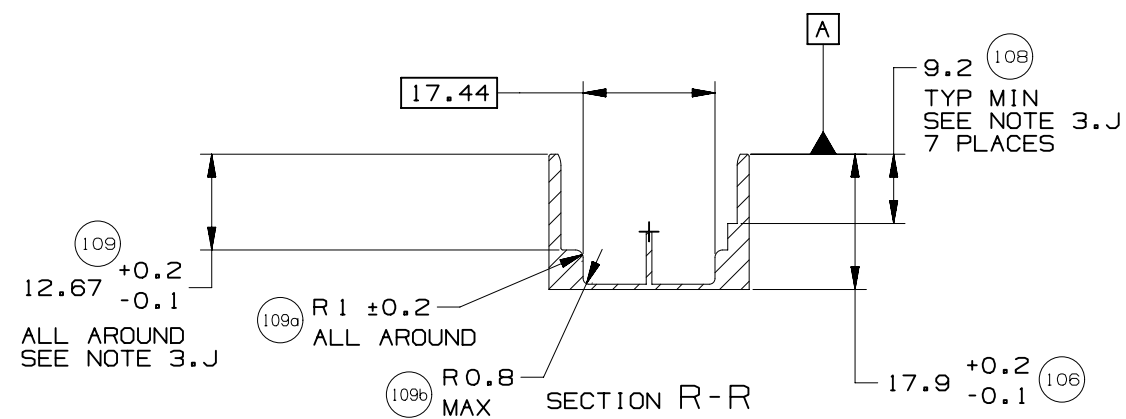


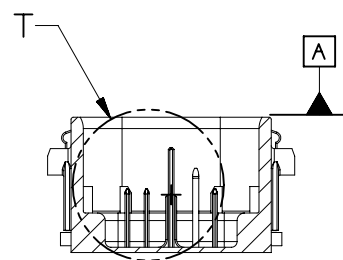
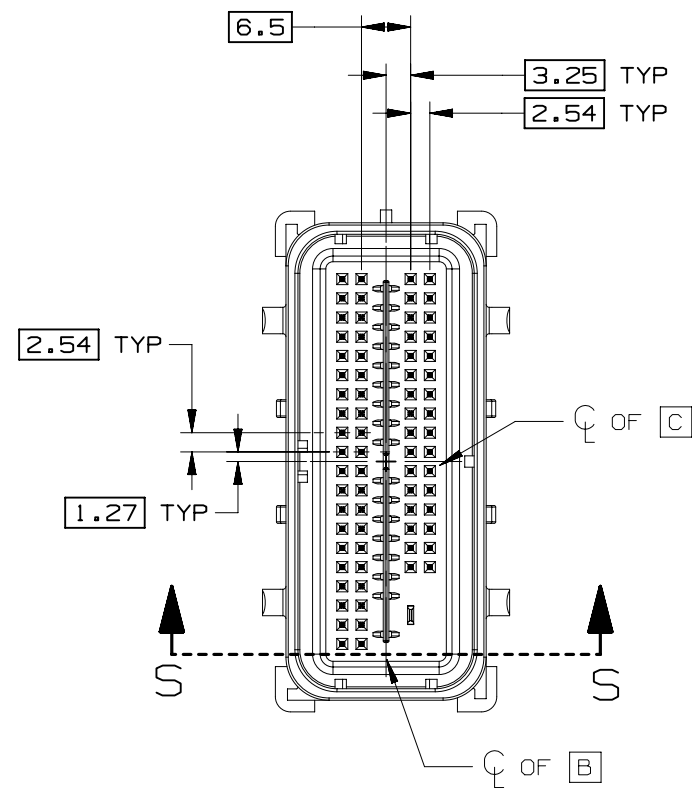
DETAIL N
SCALE 5:1



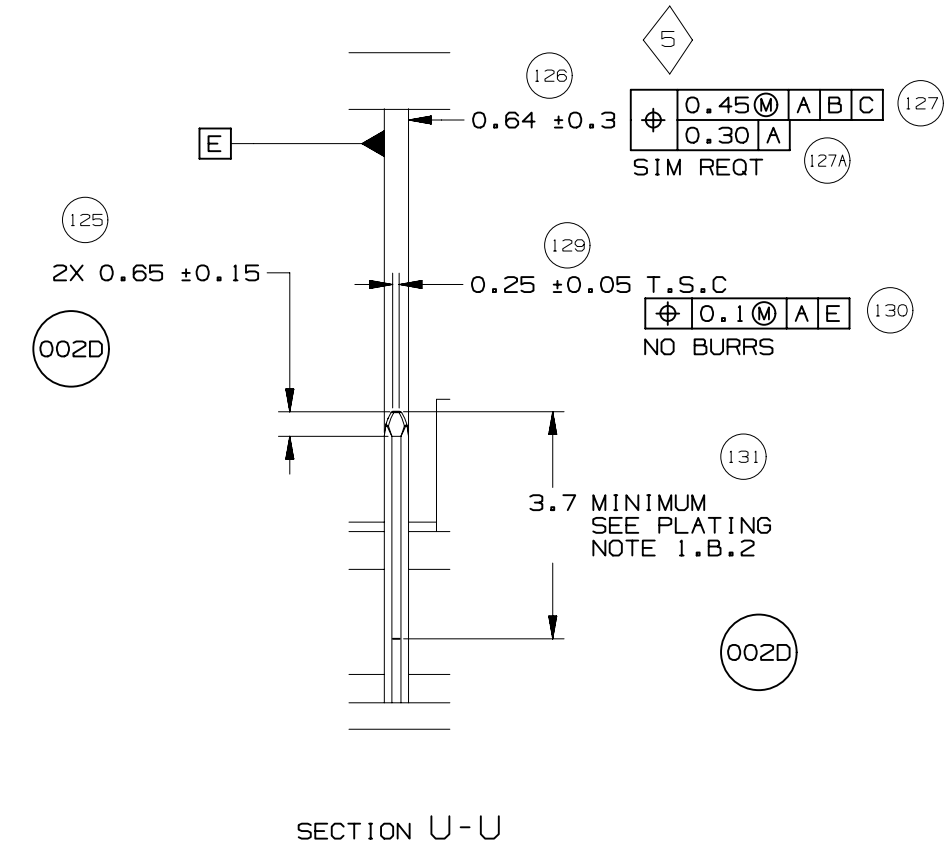
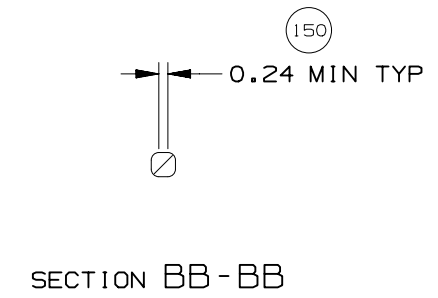
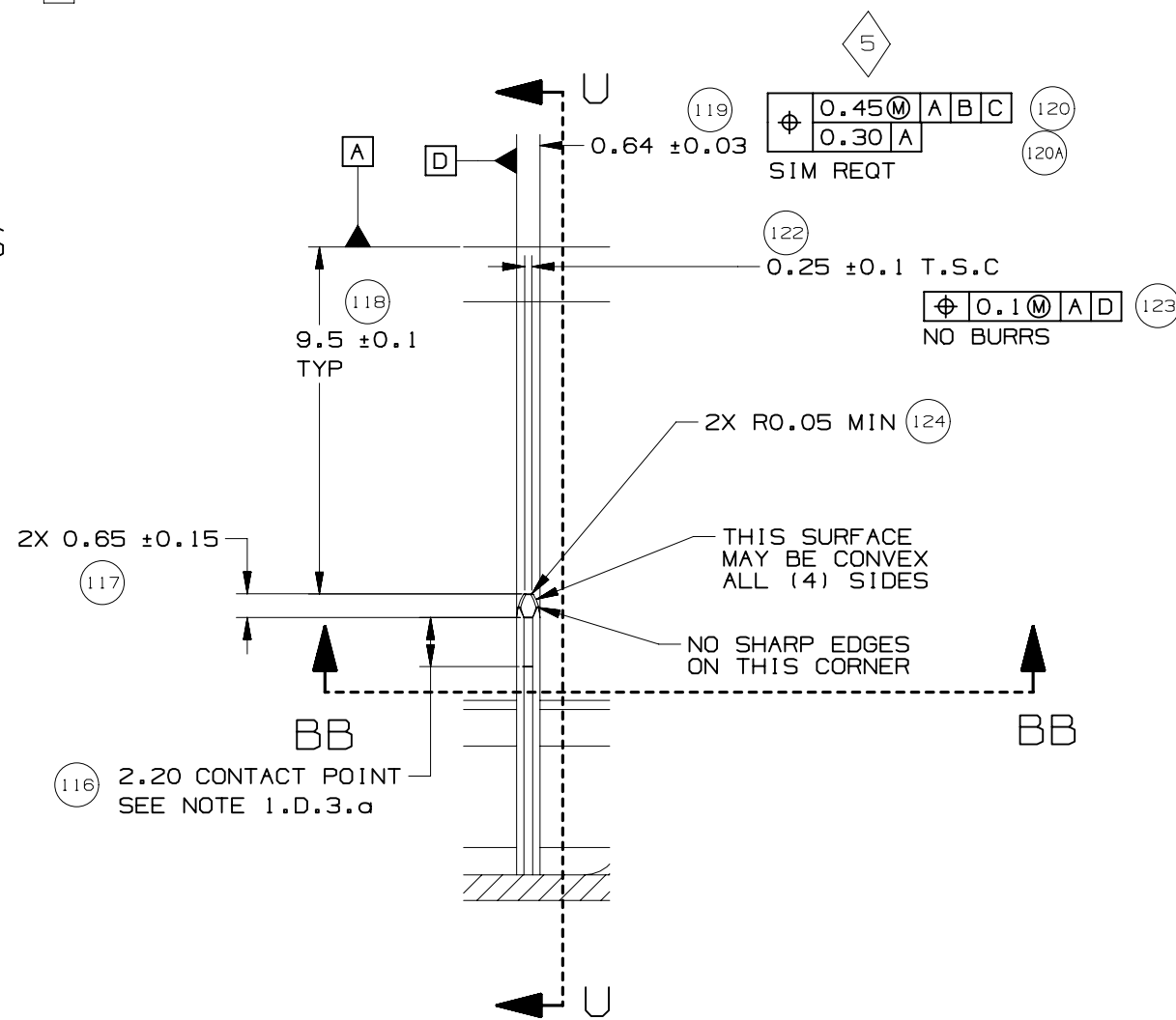


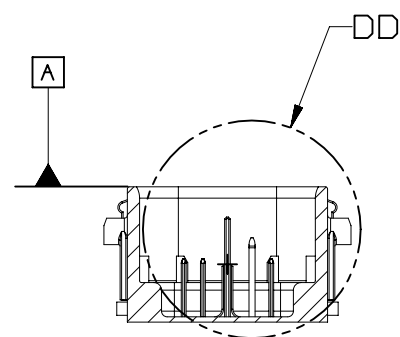
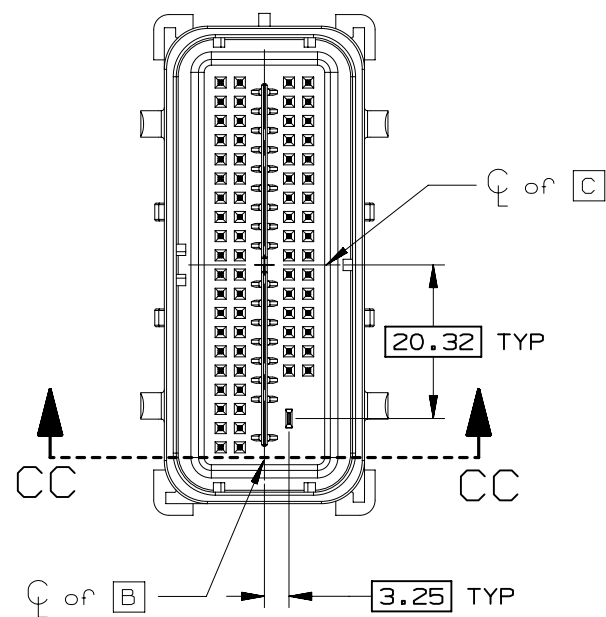
SECTION P-P



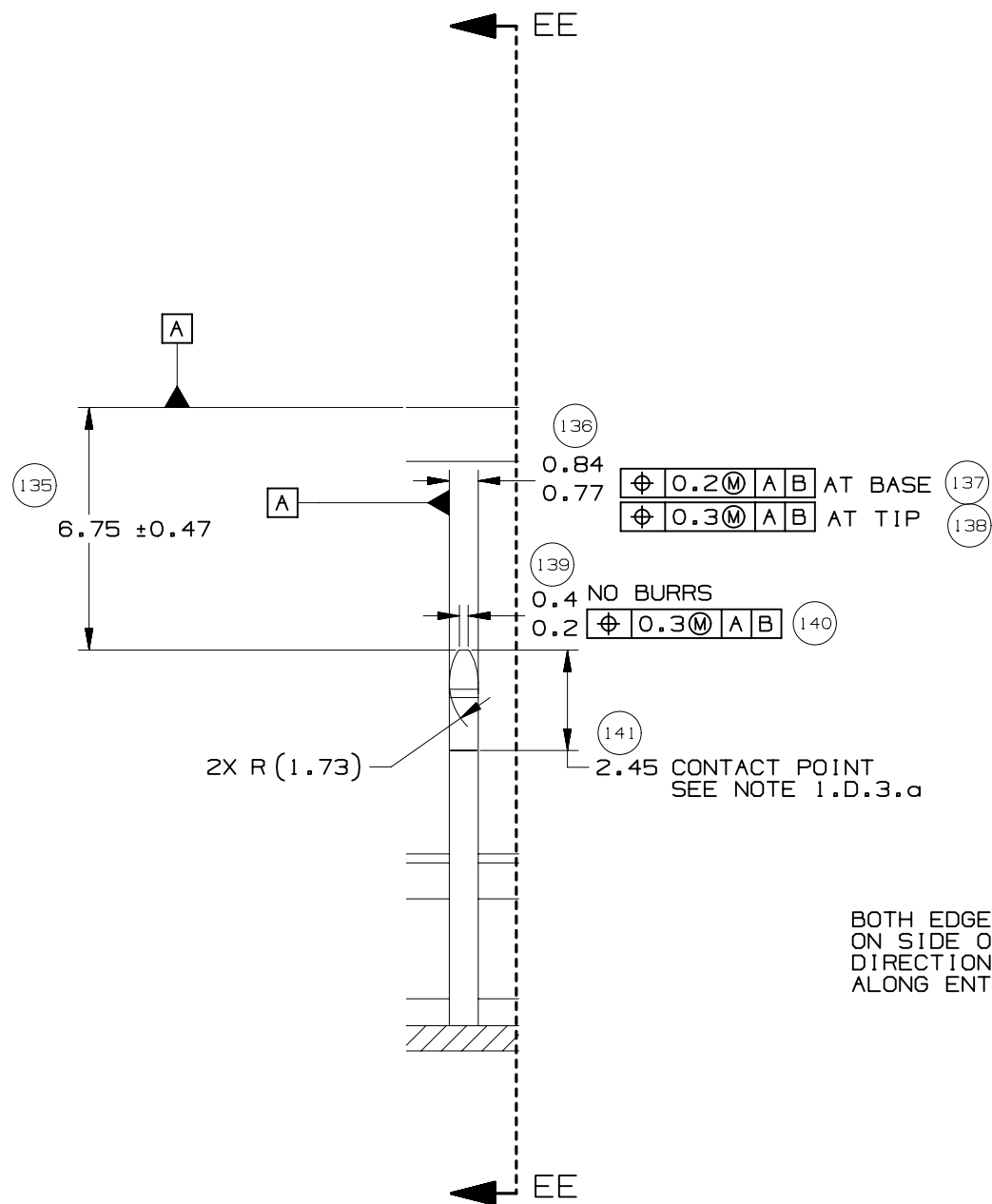


SECTION S-S

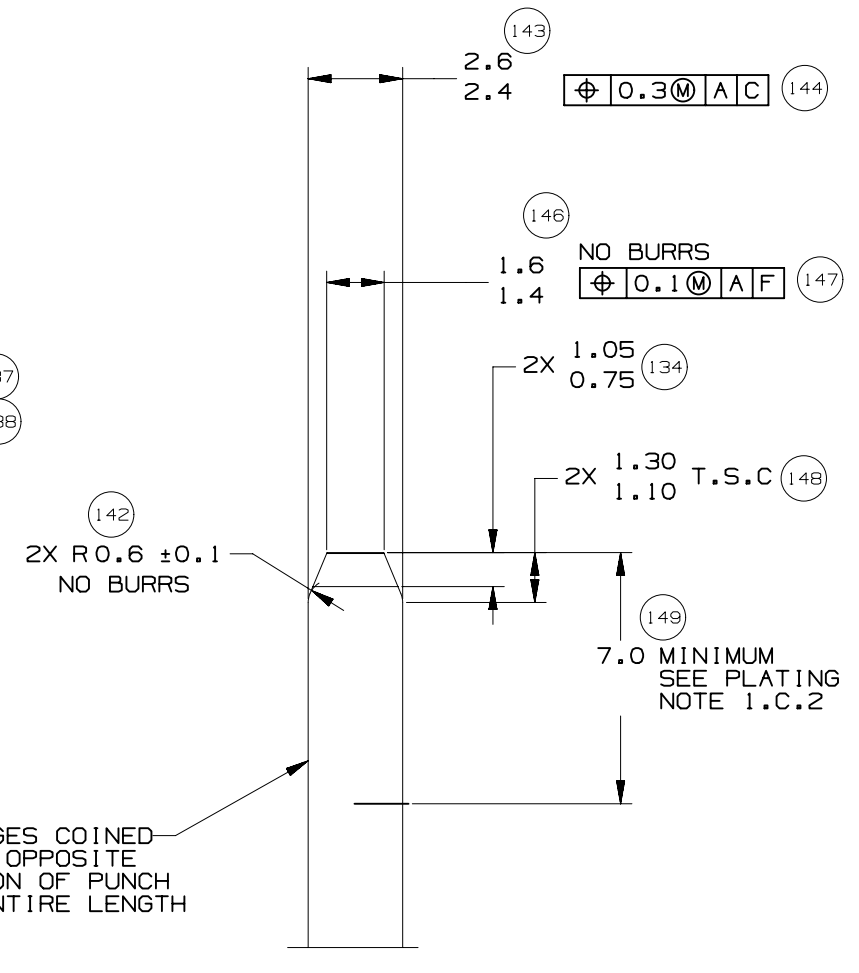




SECTION CC-CC



DETAIL DD
TYPICAL
SCALE 5:1

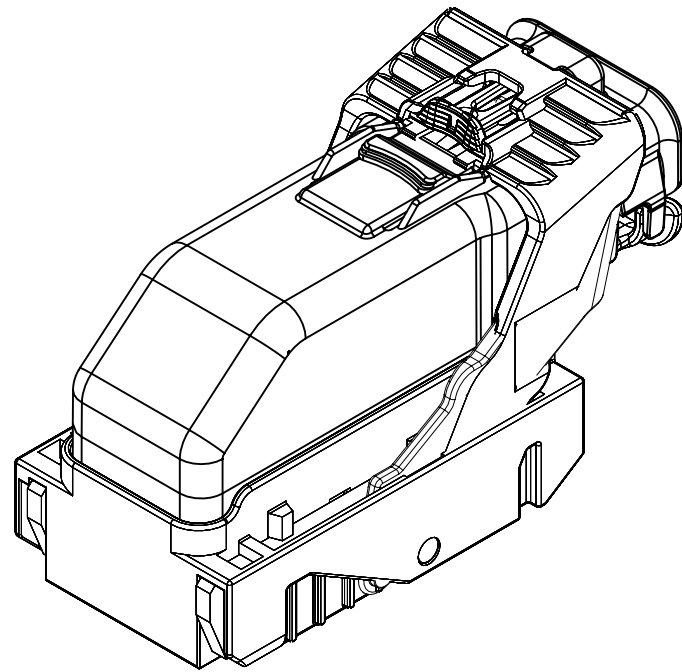


SECTION EE-EE
TYPICAL


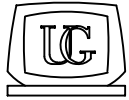
BOTH EDGES COINED
ON SIDE OPPOSITE
DIRECTION OF PUNCH
ALONG ENTIRE LENGTH



INDEX	
PAGE TITLE	PAGE
TITLE BLOCK	1
REVISION BLOCK	2
PART BLOCK	3
KPC BLOCK	4
COMPONENT TABLE	5
NOTES	6
NOTES	7
WIRE DRESS PACKAGING DIMENSIONS	8
LOCATION AND PACKAGING DIMENSIONS REFERENCING INTERFACE DATUMS B & C	9
LOCATION AND PACKAGING DIMENSIONS REFERENCING INTERFACE DATUM A	10
KEY ID REF - WIRE DRESS OPTION 0	11
KEY ID REF - WIRE DRESS OPTION 9	12
CIRCUIT CONFIGURATIONS	13
CIRCUIT CONFIGURATIONS	14
COMPONENT CONNECTOR INTERFACE	15
COMPONENT CONNECTOR INTERFACE	16
COMPONENT CONNECTOR INTERFACE	17
COMPONENT CONNECTOR INTERFACE	18
COMPONENT CONNECTOR INTERFACE	19
COMPONENT CONNECTOR INTERFACE	20
COMPONENT CONNECTOR INTERFACE	21



ISO VIEW

	<p>UNLESS OTHERWISE SPECIFIED: THIS DOCUMENT IS IN ACCORDANCE WITH ASME Y14.5M-1994 AS AMMENDED BY THE GM GLOBAL DIMENSIONING AND TOLERANCING ADDENDUM-1997. ALL GEOMETRIC TOLERANCES AND RELATED DATUMS APPLY RFS. RULE #1 (PERFECT FORM AT MMC) DOES NOT APPLY WHEN A RELATIONSHIP BETWEEN FEATURES IS ESTABLISHED BY ORIENTATION OR LOCATION TOLERANCES. SEPARATE POSITION CALLOUTS MAY BE GAGED SEPARATELY REGARDLESS OF DATUM REFERENCES.</p>			DATE						
	 CHANGE RESTRICTED NO MANUAL CHANGES	REFERENCE 12H (MOLEX AUTOMOTIVE)	DRAFTER J SZYMKOWSKI APVD1 D PFAFFINGER APVD2 B BURT APVD3 APVD4 APVD5	22DE05 22DE05 22DE05 						
DO NOT SCALE	DRAWING NAME HARNESS CONN ASM 66/73/80 CKTS									
METRIC DIMENSIONS SHOWN IN MILLIMETERS UNLESS OTHERWISE SPECIFIED	DRAWING NUMBER 12642695		DWG STATUS <table border="1"> <tr> <th>ST</th> <th>REV</th> <th>PD1</th> </tr> <tr> <td>R</td> <td>002</td> <td></td> </tr> </table>		ST	REV	PD1	R	002	
ST	REV	PD1								
R	002									
			PAGE NUMBER 1 OF 21							

PAGE	DWG STATUS					REVISION HISTORY	AUTH	DR	CK	ENG
	DATE	ST	REV	CHG	PDI					
	19DE11	R	001			RELEASED TO PRODUCTION AT DLS A	CRMRJB	SC	MRO	GF
3	08MY15	R	002	A		REORDERED PART BLOCK AND ADDED MASS CORRECTED P/N TYPO FROM 12562676 TO 12582676				
3, 5		R	002	B		ADDED 12659312, 12659313, 12653574 AND 12653575				
6		R	002	C		REMOVED NOTE 1 . D . 3 . C				
20		R	002	D		DIM 125 WAS 3.25 DIM 131 WAS 5.5	CRMRJD	DFK	MRO	GF

PAGE	DWG STATUS					REVISION HISTORY	AUTH	DR	CK	ENG
	DATE	ST	REV	CHG	PDI					

KEY PRODUCT CHARACTERISTICS
(IN ACCORDANCE WITH QN 1805 OR ON 1050)



SAFETY/COMPLIANCE

TOTAL ON
DRAWING

5



FIT/FUNCTION

LAST NO.
USED

5

NO	TYPE	DESCRIPTION	RATIONALE	PAGE/ZONE
1	F/F	32.68	IMPROVE CONNECTOR SYSTEM MATING	15
2	F/F	29.00	INSURE PROPER RELEASE OF LEVER	15
3	F/F	15.25	INSURE FINAL MATE POSITION	16
5	F/F	POSITIONAL TOLERANCE (2 PLACES)	INSURE CONNECTOR SYSTEM MATEABILITY	19



PAGE TITLE
KPC BLOCK

DRAWING NUMBER

12642695

DWG STATUS

ST	REV	PDI
----	-----	-----

R	002	
---	-----	--

PAGE NUMBER

4 OF 21

LINE	MFG.	MFG. P/N	GM P/N	EFFECTIVE DATE	APPLICABLE COMPONENTS	KEY OPTION	WIRE DRESS OPTION	KEY CONFIG.	COLOR	STATUS
					DESCRIPTION					
-										
1	MOLEX	34565-0003	12582676	02JN03	MX123 DRESS COVER 66/73/80 CKT	N/A	N/A	N/A	BLACK	AVAILABLE
2	MOLEX	34822-0013	12642692	01SP13	MX123 HRNS CONN ASSY 66 CKT	A	0	1458	BLACK	AVAILABLE
3	MOLEX	34822-0033	12659312	01SP13	MX123 HRNS CONN ASSY 66 CKT	C	0	2467	BLUE	AVAILABLE
4	MOLEX	34822-0023	12642693	01SP13	MX123 HRNS CONN ASSY 66 CKT	A	9	1458	BLACK	AVAILABLE
5	MOLEX	34822-0043	12659313	01SP13	MX123 HRNS CONN ASSY 66 CKT	C	9	2467	BLUE	AVAILABLE
6	MOLEX	34566-0103	12582677	11JN04	MX123 HRNS CONN ASSY 73 CKT	A	0	1458	BLACK	AVAILABLE
7	MOLEX	34566-0203	12582678	11JN04	MX123 HRNS CONN ASSY 73 CKT	B	0	1468	ST GRAY	AVAILABLE
8	MOLEX	34566-0303	12615654	09AP08	MX123 HRNS CONN ASSY 73 CKT	C	0	2467	BLUE	AVAILABLE
9	MOLEX	34566-0403	12647268	T.B.D	MX123 HRNS CONN ASSY 73 CKT	D	0	2367	BROWN	NOT ACTIVE
10	MOLEX	34566-0503	AMJ28633	T.B.D	MX123 HRNS CONN ASSY 73 CKT	E	0	2468	GREEN	NOT ACTIVE
11	MOLEX	34566-0603	12653574	05DC14	MX123 HRNS CONN ASSY 73 CKT	F	0	1357	NATURAL	AVAILABLE
12	MOLEX	34566-0703	12588057	09AP08	MX123 HRNS CONN ASSY 80 CKT	G	0	1358	BLUE	AVAILABLE
13	MOLEX	34566-0803	12588058	11JN04	MX123 HRNS CONN ASSY 80 CKT	H	0	2458	ST GRAY	AVAILABLE
14	MOLEX	34566-0903	12615656	T.B.D	MX123 HRNS CONN ASSY 80 CKT	J	0	2457	BLACK	NOT ACTIVE
15	MOLEX	34566-1003	AMJ28595	T.B.D	MX123 HRNS CONN ASSY 80 CKT	K	0	2357	BROWN	NOT ACTIVE
16	MOLEX	34566-1103	AMJ29057	T.B.D	MX123 HRNS CONN ASSY 80 CKT	L	0	2368	GREEN	NOT ACTIVE
17	MOLEX	34566-1203	AMJ28669	T.B.D	MX123 HRNS CONN ASSY 80 CKT	M	0	2358	NATURAL	NOT ACTIVE
18	MOLEX	34566-1303	12603596	11JN04	MX123 HRNS CONN ASSY 73 CKT	A	9	1458	BLACK	AVAILABLE
19	MOLEX	34566-1403	12603597	11JN04	MX123 HRNS CONN ASSY 73 CKT	B	9	1468	ST GRAY	AVAILABLE
20	MOLEX	34566-1503	12615655	09AP08	MX123 HRNS CONN ASSY 73 CKT	C	9	2467	BLUE	AVAILABLE
21	MOLEX	34566-1603	12647269	T.B.D	MX123 HRNS CONN ASSY 73 CKT	D	9	2367	BROWN	NOT ACTIVE
22	MOLEX	34566-1703	AMJ28698	T.B.D	MX123 HRNS CONN ASSY 73 CKT	E	9	2468	GREEN	NOT ACTIVE
23	MOLEX	34566-1803	12653575	05DC14	MX123 HRNS CONN ASSY 73 CKT	F	9	1357	NATURAL	AVAILABLE
24	MOLEX	34566-1903	12603598	09AP08	MX123 HRNS CONN ASSY 80 CKT	G	9	1358	BLUE	AVAILABLE
25	MOLEX	34566-2003	12603599	11JN04	MX123 HRNS CONN ASSY 80 CKT	H	9	2458	ST GRAY	AVAILABLE
26	MOLEX	34566-2103	12615657	T.B.D	MX123 HRNS CONN ASSY 80 CKT	J	9	2457	BLACK	NOT ACTIVE
27	MOLEX	34566-2203	AMJ29117	T.B.D	MX123 HRNS CONN ASSY 80 CKT	K	9	2357	BROWN	NOT ACTIVE
28	MOLEX	34566-2303	AMJ29136	T.B.D	MX123 HRNS CONN ASSY 80 CKT	L	9	2368	GREEN	NOT ACTIVE
29	MOLEX	34566-2403	AMJ29214	T.B.D	MX123 HRNS CONN ASSY 80 CKT	M	9	2358	NATURAL	NOT ACTIVE
30	MOLEX	34736-2002	12642697	01AU10	MX64 RCPT TERM Ag 18/20 GAGE B (RIGHT PAYOFF)	N/A	N/A	N/A	N/A	AVAILABLE
31	MOLEX	34736-2001	12642696	01AU10	MX64 RCPT TERM Ag 22 GAGE B (RIGHT PAYOFF)	N/A	N/A	N/A	N/A	AVAILABLE
32	MOLEX	34586-0001	T.B.D.	11JN04	MX123 0.64MM GROMMET PLUG	N/A	N/A	N/A	NATURAL	AVAILABLE
33	YAZAKI	7116-4150-02	12588066	02JN03	2.8mm YESC SEALED FEMALE TERMINAL TIN 20/22 GAGE (CABLE RANGE 0.30mm-0.60mm)	N/A	N/A	N/A	N/A	NOT ACTIVE
34	YAZAKI	7116-4151-02	12588067	02JN03	2.8mm YESC SEALED FEMALE TERMINAL TIN 16/18 GAGE (CABLE RANGE 0.75mm-1.40mm)	N/A	N/A	N/A	N/A	NOT ACTIVE
35	YAZAKI	7116-4152-02	12582685	02JN03	2.8mm YESC SEALED FEMALE TERMINAL TIN 14 GAGE (CABLE RANGE 1.50mm-2.50mm)	N/A	N/A	N/A	N/A	AVAILABLE
36	YAZAKI	7158-3111-60	12588068	02JN03	2.8mm CABLE SEAL (wire O.D. range 1.20mm-1.90mm)	N/A	N/A	N/A	GREEN	NOT ACTIVE
37	YAZAKI	7158-3112-70	12588069	02JN03	2.8mm CABLE SEAL (wire O.D. range 1.80mm-2.30mm)	N/A	N/A	N/A	YELLOW	NOT ACTIVE
38	YAZAKI	7158-3113-40	12582686	02JN03	2.8mm CABLE SEAL (wire O.D. range 2.18mm-3.00mm)	N/A	N/A	N/A	WHITE	AVAILABLE
39	YAZAKI	7158-3114-90	T.B.D	02JN03	2.8mm YESC CAVITY PLUG	N/A	N/A	N/A	BLUE	AVAILABLE
40	MOLEX	63811-4200	XX019825	02JN03	MX64 TERM HAND CRIMP TOOL	N/A	N/A	N/A	N/A	AVAILABLE
41	MOLEX	63813-1400	XX019826	02JN03	MX64 TERM SERVICE TOOL	N/A	N/A	N/A	N/A	AVAILABLE
42	MOLEX	63865-8000	XX019827	02JN03	MX64 CRIMP APPLICATOR with TOOL KIT 18/20 GAGE PAYOFF DIRECTION D (left payoff) (contact Molex for payoff detail)	N/A	N/A	N/A	N/A	AVAILABLE
43	MOLEX	63865-8070	XX019828	02JN03	MX64 APPLICATOR TOOL KIT 18/20 GAGE	N/A	N/A	N/A	N/A	AVAILABLE
44	MOLEX	63865-8100	XX019829	02JN03	MX64 CRIMP APPLICATOR with TOOL KIT 22 GAGE PAYOFF DIRECTION D (left payoff) (contact Molex for payoff detail)	N/A	N/A	N/A	N/A	AVAILABLE
45	MOLEX	63865-8170	XX019830	02JN03	MX64 APPLICATOR TOOL KIT 22 GAGE	N/A	N/A	N/A	N/A	AVAILABLE
46	SPX	J35616-64	T.B.D.	02JN03	0.64mm PROBE TOOL (for rcpt)	N/A	N/A	N/A	N/A	AVAILABLE
47	SPX	J35616-64A	T.B.D.	02JN03	0.64mm PROBE TOOL WITH EXT (for rcpt)	N/A	N/A	N/A	N/A	AVAILABLE
48	SPX	J35616-65	T.B.D.	02JN03	0.64mm PROBE TOOL WITH EXT (for pin)	N/A	N/A	N/A	N/A	AVAILABLE
49	SPX	J35616-4A	T.B.D.	02JN03	2.8mm PROBE TOOL (for rcpt)	N/A	N/A	N/A	N/A	AVAILABLE
50	YAZAKI	X39899-J374	12094430	02JN03	2.8mm TERM SERVICE TOOL	N/A	N/A	N/A	N/A	AVAILABLE

002B

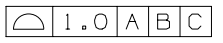
* - MX123 DRESS COVER 73/80/66 CKT MATES TO ANY MX123 HARN CONN ASSY SHOWN ON TABLE ABOVE

NOTES: UNLESS OTHERWISE SPECIFIED

1. MATERIAL FOR INTERFACE:

- A. RESIN:
 - 1. 30% G.F. PBT; 20% MAX. (BY WEIGHT) REGRIND.
 - 2. MATING CONNECTOR INTERFACE PART COLOR MUST BE SAME AS MATCHING KEYED HARNESS CONNECTOR ASSEMBLY.
 - 3. MUST BE VALIDATED FOR INDIVIDUAL DEVICE APPLICATION REQUIREMENTS.
- B. 0.64MM PINS:
 - 1. BASE MATERIAL: COPPER ALLOY; CONDUCTIVITY >= 28% IACS AT 20°C; TENSILE STRENGTH >= 635 N/mm²; SURFACE ROUGHNESS R_a 6 MAX.
 - 2. PLATING FINISH: SILVER (Ag). PLATING TO BE 1.9-3.3 μm ELECTRODEPOSITED SEMI-BRIGHT SILVER OVER 1.25-2.25 μm DUCTILE SULPHAMATE NICKEL PER NOTE 1(D).
 - 3. ANTI-TARNISH: SYNTHETIC HYDROCARBON CONTACT SURFACE FINISH OR EQUIVALENT APPLIED WITHOUT VOID TO CONTACT AREA (MIN 3.7mm FROM PIN TIP).
- C. 2.8MM BLADE:
 - 1. BASE MATERIAL: COPPER ALLOY; CONDUCTIVITY >= 28% IACS AT 20°C; TENSILE STRENGTH >= 350 N/mm²; SURFACE ROUGHNESS R_a 6 MAX.
 - 2. PLATING FINISH: TIN. PLATING TO BE 2.5-5.0 μm ELECTRODEPOSITED TIN, MATTE FINISH OVER 1.25-2.5 μm DUCTILE SULPHAMATE NICKEL PER NOTE 1(D).
- D. PLATING REQUIREMENTS:
 - 1. SILVER PLATING
 - a. 99.5% PURE SEMI-BRIGHT WITH NO ORGANIC BRIGHTNERS OR CHROMATES.
 - 2. NICKEL PLATING
 - a. ELECTRODEPOSITED DUCTILE SULFAMATE NICKEL WITH A NON-BRIGHTENED FINISH. NO ORGANIC OR BRIGHTENING AGENTS SHALL BE ALLOWED.
 - b. SHALL ONLY BE USED AS AN UNDERLYING PLATING AND MAY NOT BE USED AS AN ELECTRICAL CONTACT SURFACE PLATING.
 - c. SHALL BE NODULE FREE WHEN VIEWED AT 10X MAGNIFICATION IN MEASURED IN CONTACT SURFACE AREA PLUS 0.5MM PERIMETER AROUND THE CONTACT SURFACE AREA.
 - d. ALL PLATINGS SHALL HAVE A 1.0% MAXIMUM BY WEIGHT IMPURITIES. IMPURITIES ARE DEFINED AS ALL ELEMENTS NOT THE PRIMARY PLATING OR HARDENING AGENT IF APPLICABLE, AS DETERMINED BY WET CHEMICAL ANALYSIS OR AUGER METHOD. NO SINGLE IMPURITY SHALL EXCEED 0.1% MAXIMUM BY WEIGHT.
 - 3. TESTING
 - a. THICKNESS TO BE MEASURED IN CONTACT SURFACE AREA PLUS 0.5MM PERIMETER AROUND THE CONTACT SURFACE AREA AS DESIGNATED IN THE DRAWING. THICKNESS SHALL BE DETERMINED BY METHOD OF X-RAY (XRF).
 - b. PLATING ADHESION SHALL BE TESTED BY A BEND TEST FOR ALL METALS. THE TEST SAMPLE SHALL BE BENT 90 DEGREES TO DETERMINE DEPOSIT ADHESION. TESTING SHALL BE COMPLETED IN ACCORDANCE WITH ASTM SPEC B571.


2. DESIGN - GENERAL:

- A. THIS IS A 100% CAD GENERATED PART. THE CAD MATHEMATICAL DATA IS THE MASTER FOR THIS PART. FOR DIMENSIONAL OR ANY INFORMATION NOT SHOWN ON THIS DRAWING, ANALYZE THE CAD MODEL.
- B. TOLERANCES:
 - 1. LINEAR
 - 0.X ± 0.30
 - 0.XX ± 0.10
 - 0.XXX ± 0.10
 - 2. ANGULAR X° ± 3°
 - 3. 
- C. MINIMUM WALL THICKNESS REQUIRED: 1.3mm.
- D. CORNERS SHOWN AS SHARP TO BE R 0.2 MAX.
- E. LETTERING SHALL BE 0.15 MAX RAISED IN 0.20 MAX RECESS PAD. THIS INCLUDES MATERIAL CODE, RECYCLING CODE, CAVITY ID AND DATE CODE.
- F-1. PARTS MUST BE FREE OF DISCOLORATION, SALT RESIDUE AND OTHER IMPERFECTIONS THAT AFFECT FIT OR FUNCTION.
- F-2. SCRATCHES OR DENTS NOT TO EXCEED 0.013mm IN DEPTH.
- G. FOLLOWING PRODUCTION CODES TO BE PERMANENTLY MARKED & HUMAN READABLE TO A LETTER HEIGHT OF 1.5 ± 0.5MM X 0.3 MAX DEEP
 - 1. MATERIAL #: XXXXX-XXXX
 - 2. DATE CODE: JJYY (JULIAN DAY, LAST DIGIT OF YEAR)
 - 3. INSPECTION MACHINE CODE + SERIAL #: X_XXXXX

3. DESIGN - MANUFACTURING:

- A. DRAFT TO BE WITHIN TOLERANCE.
- B. ALLOWABLE FLASH MAX 0.2 HIGH X MAX 0.13 THICK.
- C. ALLOWABLE PARTING LINE MISMATCH 0.2 MAX.
- D. EJECTOR PINS MARK TO BE FLUSH TO 0.25 MAX DEPRESSED.
- E. ALLOWABLE GATE VESTIGE FLUSH TO 0.25 MAX PROTRUSION.
- F. NO EXTERNAL MOLD RELEASE AGENT ALLOWED DURING MANUFACTURING.
- G. STEEL THAT FORMS THE INDICATED SURFACE MUST BE POLISHED WITH A DIAMOND FINISH (SPI A-2) OVER THE FULL PERIPHERY OF THE TOOL. SURFACE MUST HAVE NO MISMATCH.
- H. ANY PROCESS LUBRICANT REMAINING ON THE TERMINAL MUST NOT VARNISH OR DEGRADE IT'S ELECTRICAL PERFORMANCE UP TO A MAXIMUM CLASS AMBIENT TEMPERATURE PER SAE USCAR-2 FOR 1008 HOURS. PROCESS LUBRICANTS SHOULD BE APPROVED BY THE RESPONSIBLE ENGINEER.
- J. OPTIONAL FEATURES PROVIDED FOR AUTOMATION.
- K. PART MUST BE FREE FROM BURRS AND SHARP EDGES, WHICH MIGHT BE DETRIMENTAL TO SATISFACTORY ASSEMBLY, SAFE HANDLING OR FUNCTION OF PART.
- L. PARTS AS DELIVERED TO ASSEMBLY SHALL BE CLEAN AND FREE OF DEBRIS, RESIDUAL ABRASIVE MATERIAL AND CORROSION PRODUCTS ADVERESLY AFFECTING FUNCTION OR APPEARANCE.
- M. RESTRICTED AND REPORTABLE SUBSTANCES FOR PARTS PER GMW3059.

002C

	PAGE TITLE	DRAWING NUMBER	DWG STATUS			PAGE NUMBER	
	NOTES		12642695	ST	REV		PDI
				R	002		

NOTES: UNLESS OTHERWISE SPECIFIED

4. SYSTEM REQUIREMENTS:

- A. HARNESS CONNECTOR IS COMPATIBLE WITH THE FOLLOWING SAE WIRE SIZE NO'S:
 - 14, MEETING SAE J1128
 - 18, MEETING SAE J1128, MAX O.D. OF 2.06 MM
 - 20, MEETING SAE J1128
 - 22, MEETING SAE J1128, MIN O.D. OF 1.47 MM
- B. CABLE TIE SPECIFICATIONS:
 - 1. CABLE TIE:
 - TENSILE RATING: 220N / (50lbs) MIN
 - TIE LENGTH: 186mm MIN
 - TIE WIDTH: 4.75mm MAX
 - MATERIAL: NYLON
 - 2. INSTALLATION:
 - CABLE TIE TENSION: 190N MIN
 - 3. DRESSED WIRE BUNDLE PACKAGING: SEE FIG. 1
- C. WHEN MATED WITH COMPONENT CONNECTOR INTERFACE AND/OR DRESS COVER, HARNESS CONNECTOR SYSTEM CONFORMS TO THE FOLLOWING:
 - 1. SAE/USCAR-2, REV: 3 APRIL, 2001; CLASS 3
 - 2. FIELD CORRELATED LIFE TEST, SAE/USCAR-20, NOV. 2001
 - 3. GMW #3191 AUGUST 22, 2000 (DRAFT); TEMPERATURE CLASS 3, SEALING CLASS 1, VIBRATION CLASS 2
 - 4. RESTRICTED AND REPORTABLE CHEMICALS PER GMW #3059, REV: D AUGUST 2002
 - 5. TPA USER FORCES (FULLY POPULATED WITH TERMINALS)
 - a. REMOVAL FROM LOCK TO PRE-SET: <=120N
- D. WIRE SPECIFICATIONS:
 - 1. WIRE SURFACE MUST BE FREE OF SCRATCHES, GROOVES OR DENTS WHERE FUNCTIONAL

5. TERMINAL CURRENT RATINGS:

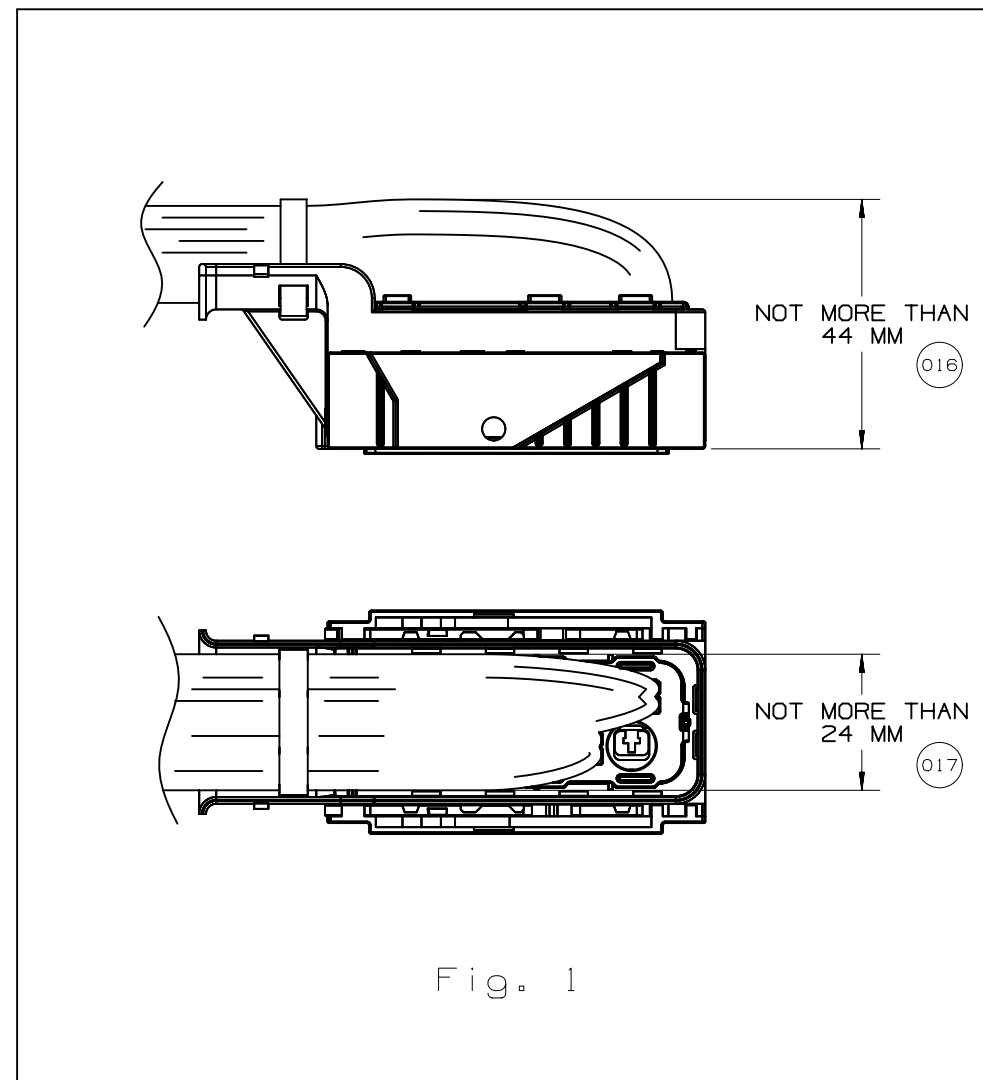
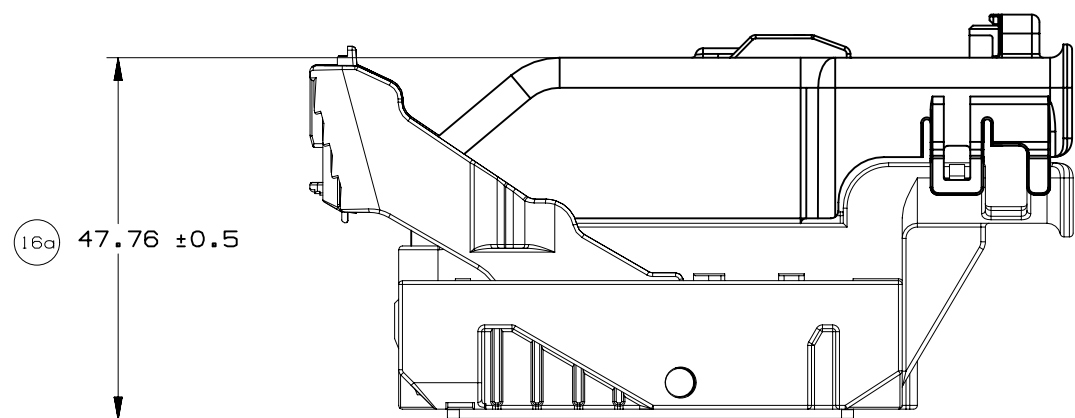
ALL TESTING DONE IN ACCORDANCE WITH USCAR-2 REV5 SECTION 5.3

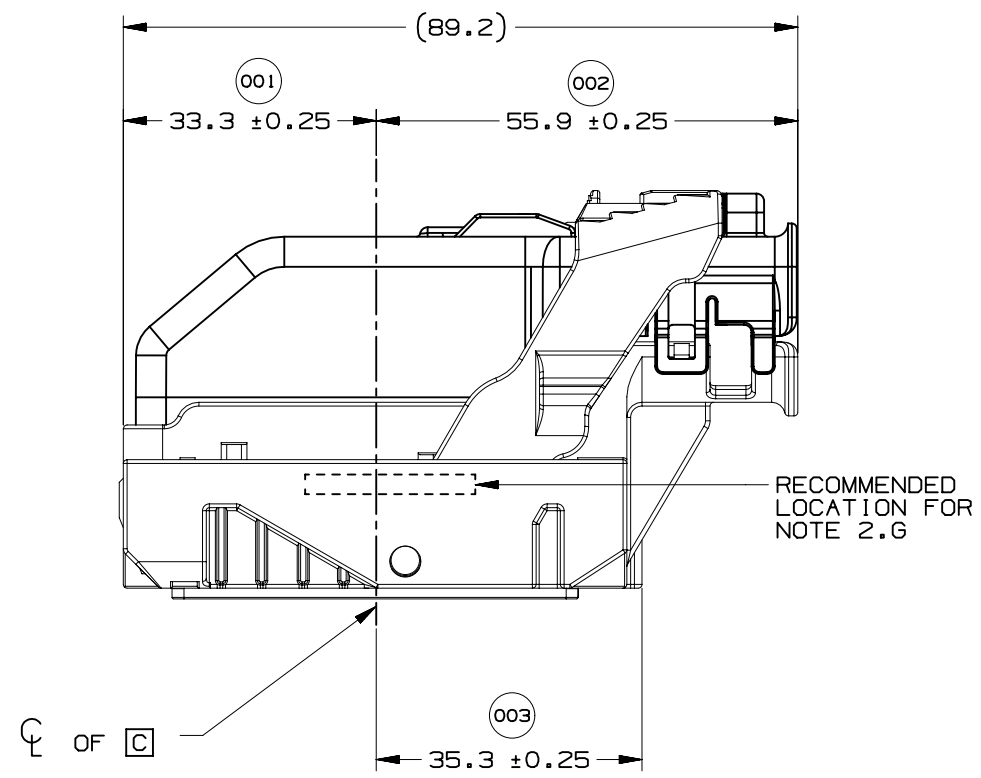
- A. MX64 RCPT TERM
 - 1. MX64 RCPT TERM Ag 18/20 GAGE CRIMPED TO SAE WIRE SIZE NO.18 AND MATED TO MX123 0.64MM PIN: 11.3 AMPS
 - 2. MX64 RCPT TERM Ag 22 GAGE CRIMPED TO SAE WIRE SIZE NO.22 AND MATED TO MX123 0.64MM PIN:8.5 AMPS

WIRE	CURRENT RATING			
	23°C	85°C	105°C	125°C
18AWG	11.3A	11.3A	9.5A	6.6A
20AWG	10.0A	10.0A	8.3A	5.7A
22AWG	8.6A	8.6A	7.1A	5.0A

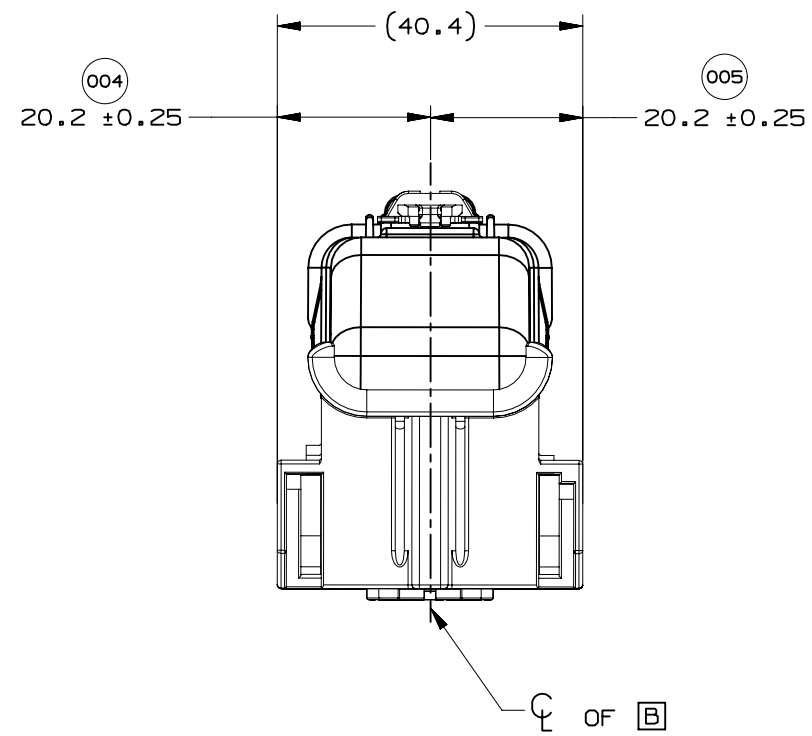
- B. 2.8MM RCPT TERM
 - 1. 2.8MM RCPT TERM TIN 14 GAGE CRIMPED TO SAE WIRE SIZE NO.14 AND MATED TO MX123 2.8MM BLADE: 25.6 AMPS

6. CONTACT MOLEX AUTOMOTIVE FOR AVAILABLE CUSTOM PATTERNS OF CAVITIES OPEN FOR CIRCUITS

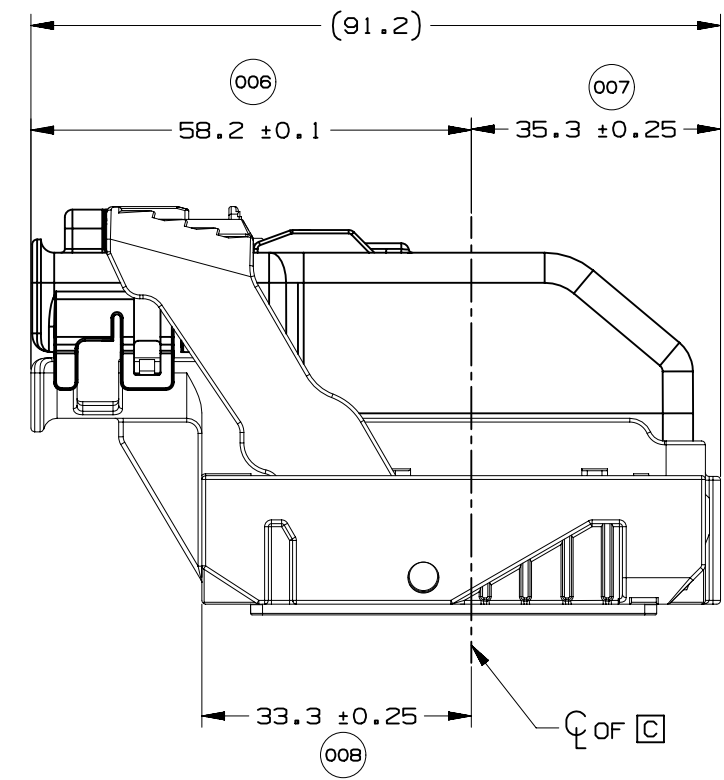




WIRE DRESS OPTION 0 SHOWN

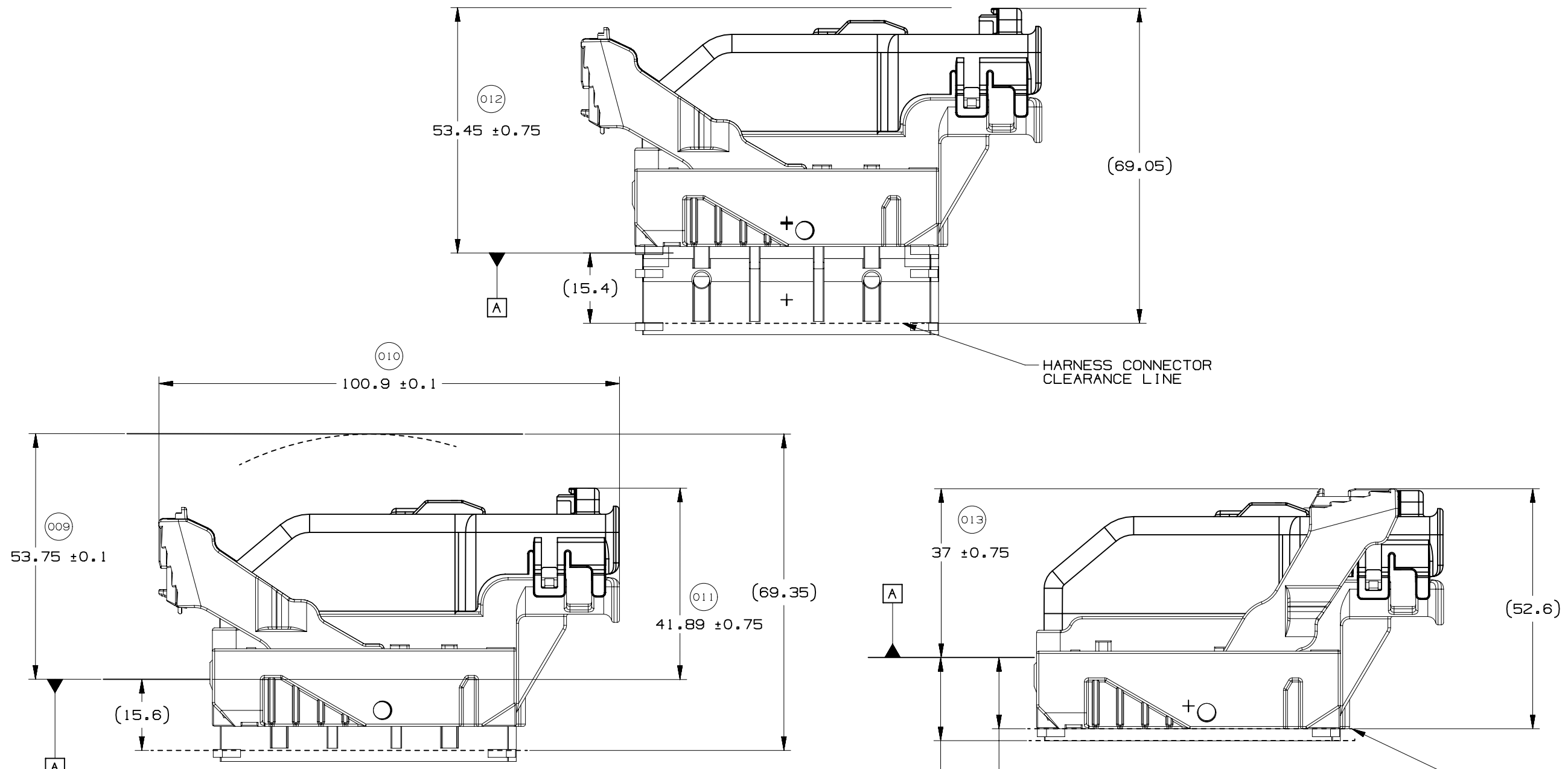


WIRE DRESS OPTION 0 SHOWN



WIRE DRESS OPTION 9 SHOWN





HARNESS CONNECTOR CLEARANCE LINE

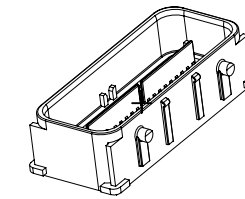
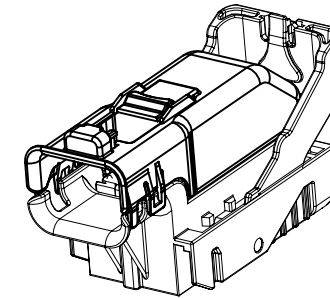
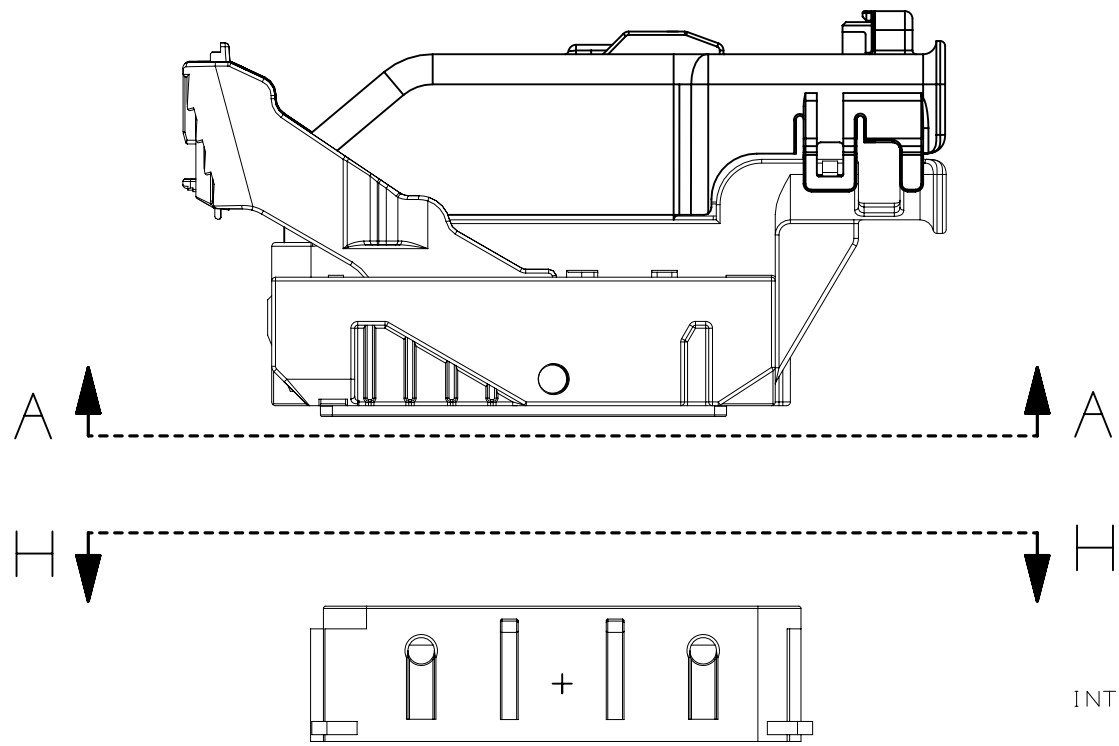
HARNESS CONNECTOR ASSEMBLY IN FULLY-MATED POSITION

HARNESS CONNECTOR CLEARANCE LINE

15.6 MIN. ALL AROUND CLEARANCE REQUIRED FOR HARNESS CONNECTOR (014)

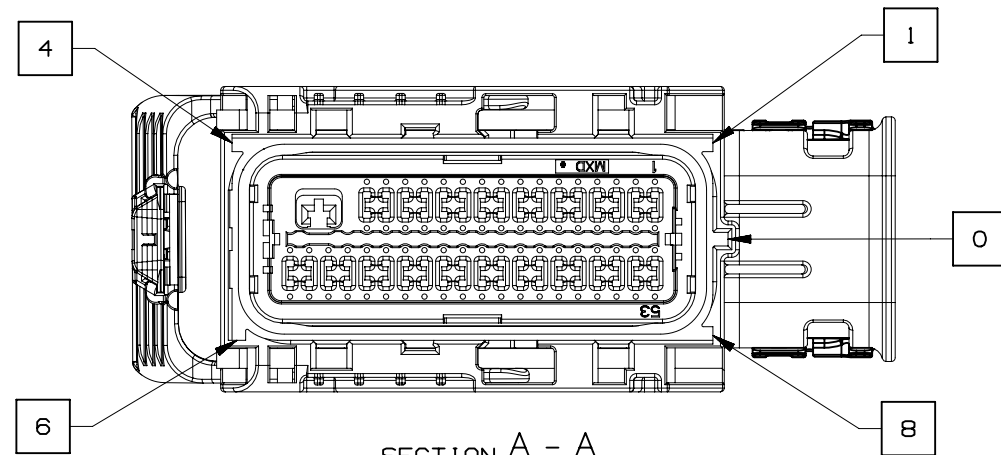
17.9 MIN. AT PAD LOCATION CLEARANCE REQUIRED FOR HARNESS CONNECTOR CONSTRUCTION BELOW THIS PLANE IS NOT CONTROLLED (015)

	PAGE TITLE		DRAWING NUMBER		DWG STATUS			PAGE NUMBER	
	LOCATION AND PACKAGING DIMENSIONS		12642695		ST	REV	PD1	10 OF 21	
	REFERENCING INTERFACE DATUM A				R	002			

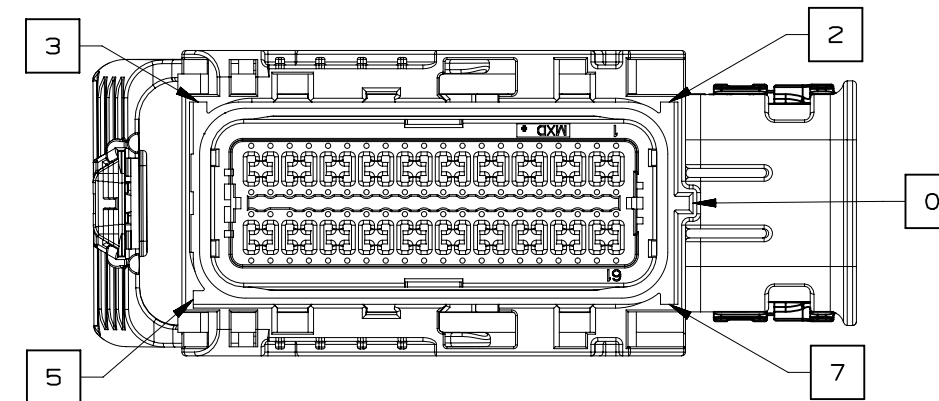


NOTE: REFERENCE THE COMPONENT TABLE FOR KEY OPTIONS AND CONFIGURATIONS

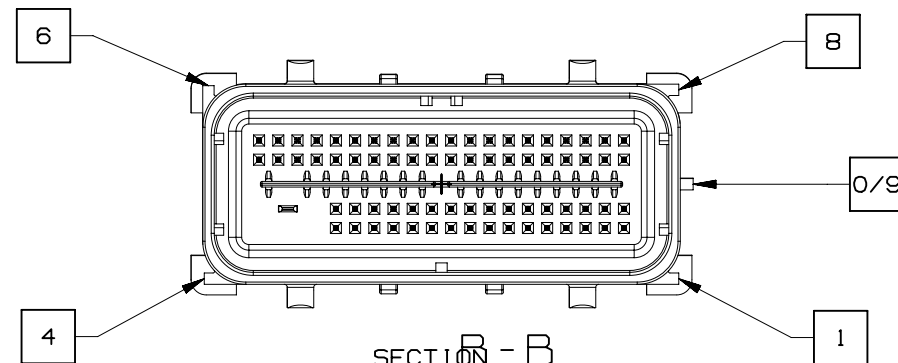
INTERFACE SIDE SHOWN ON ALL SECTION VIEWS



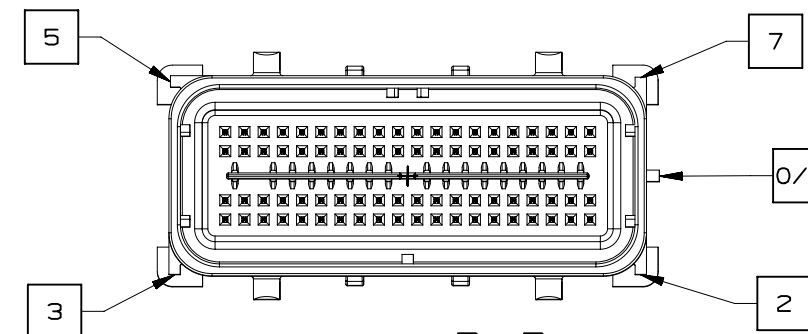
SECTION A - A
KEY OPTION B SHOWN



SECTION A - A
KEY OPTION K SHOWN



SECTION B - B
KEY OPTION B SHOWN



SECTION B - B
KEY OPTION K SHOWN

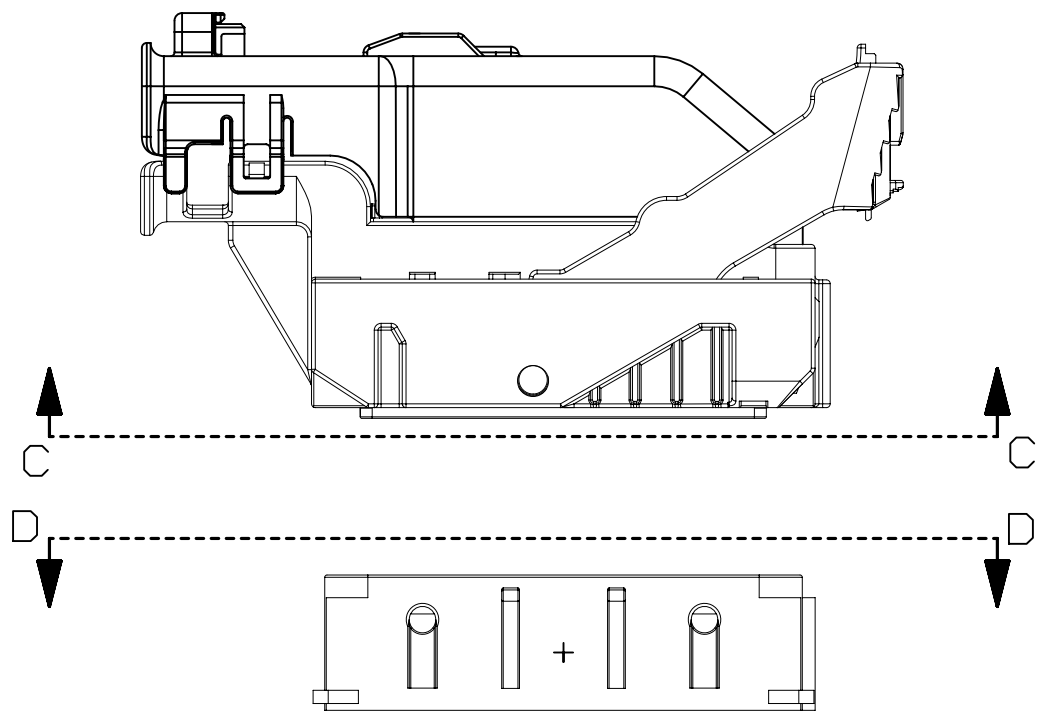


PAGE TITLE
KEY ID REF - WIRE DRESS OPTION 0

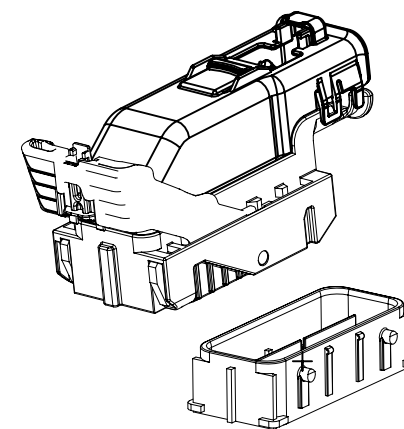
DRAWING NUMBER
12642695

DWG STATUS		
ST	REV	PD1
R	002	

PAGE NUMBER
11 OF 21

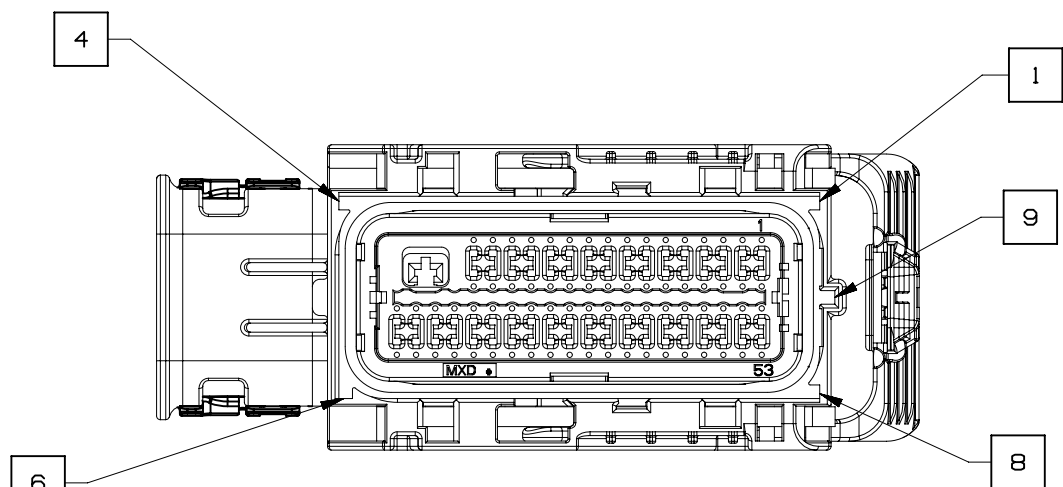


INTERFACE SIDE SHOWN ON ALL SECTION VIEWS

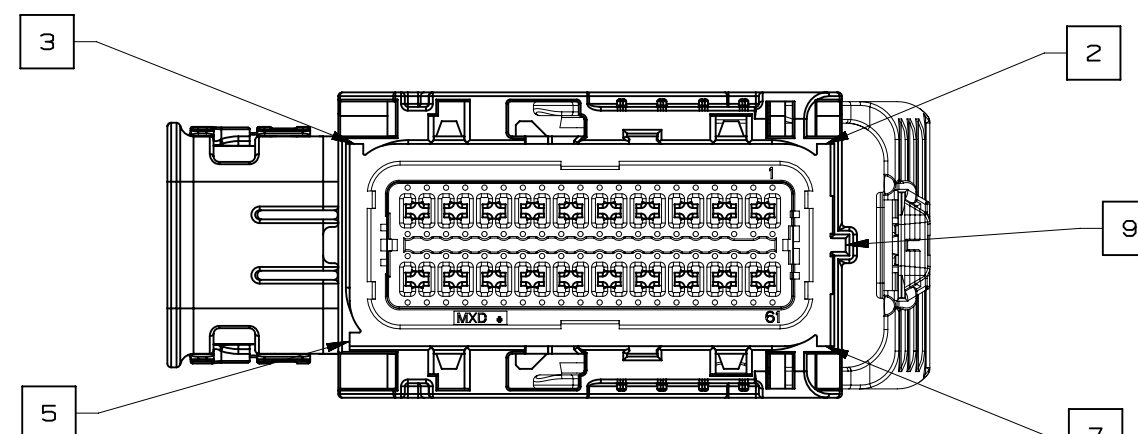


NOTE: REFERENCE THE COMPONENT TABLE FOR KEY OPTIONS AND CONFIGURATIONS

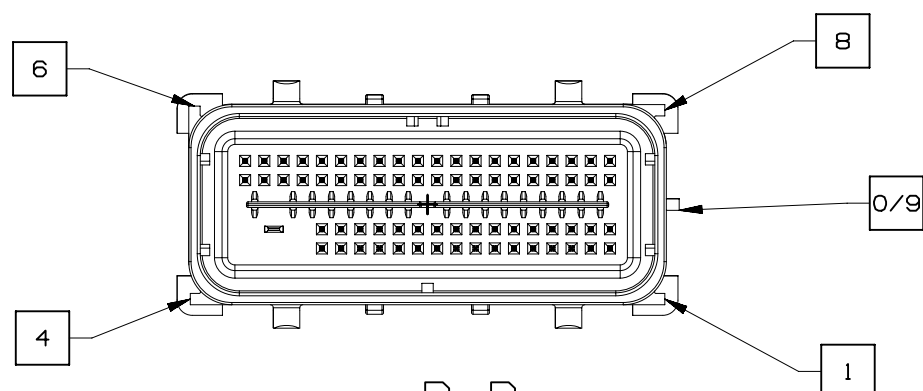
VIEW V



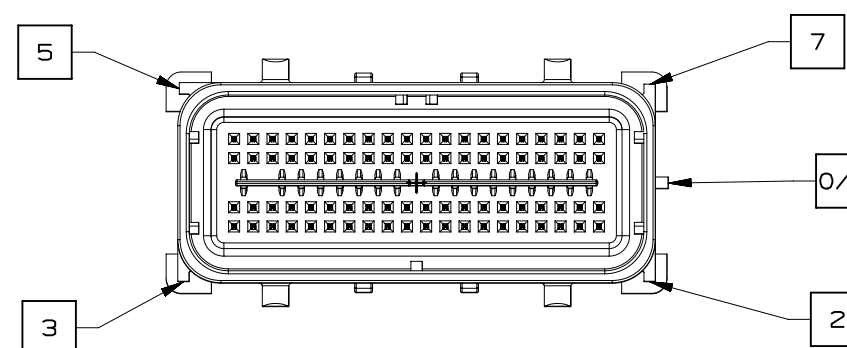
SECTION C-C
KEY OPTION B SHOWN



SECTION C-C
KEY OPTION K SHOWN



SECTION D-D
KEY OPTION B SHOWN



SECTION D-D
KEY OPTION K SHOWN

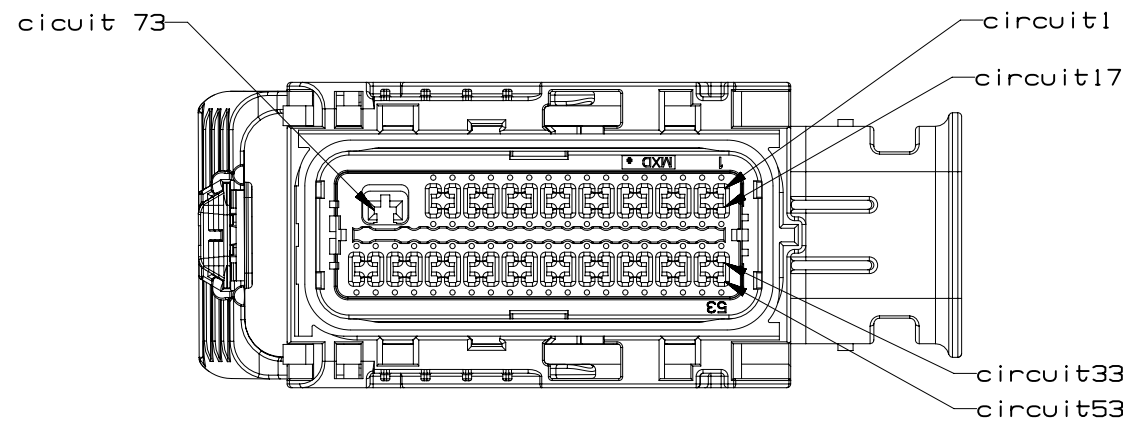


PAGE TITLE
KEY ID REF - WIRE DRESS OPTION 9

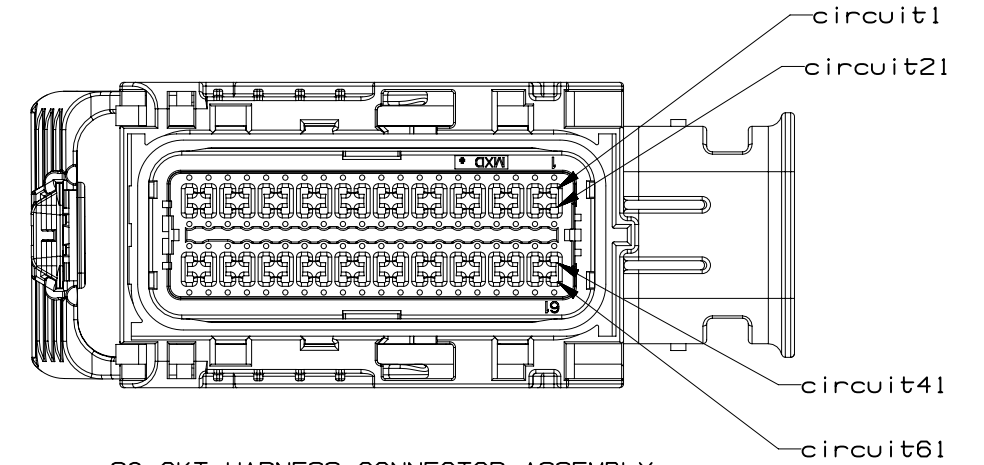
DRAWING NUMBER
12642695

DWG STATUS		
ST	REV	PD1
R	002	

PAGE NUMBER
12 OF 21

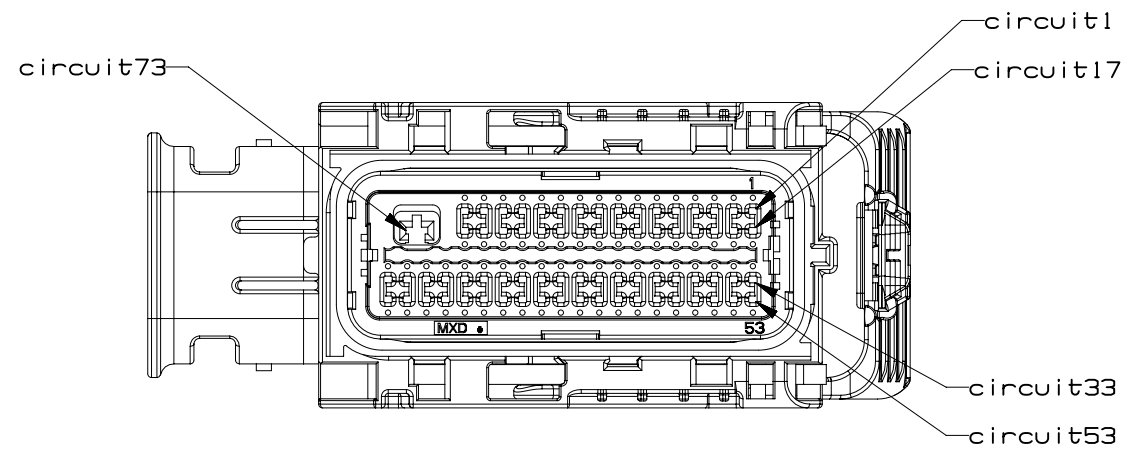


73 CKT HARNESS CONNECTOR ASSEMBLY
WIRE DRESS OPTION 0

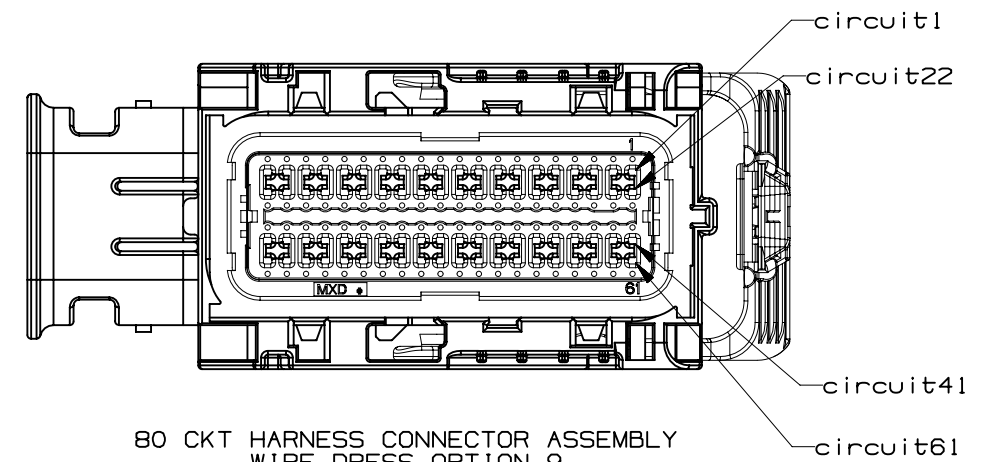


80 CKT HARNESS CONNECTOR ASSEMBLY
WIRE DRESS OPTION 0

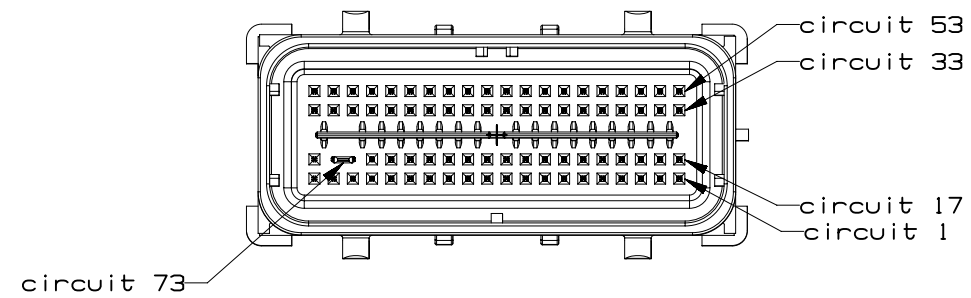
INTERFACE SIDE SHOWN ON ALL VIEWS



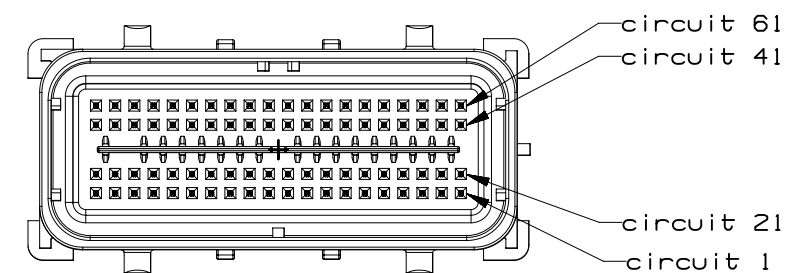
73 CKT HARNESS CONNECTOR ASSEMBLY
WIRE DRESS OPTION 9



80 CKT HARNESS CONNECTOR ASSEMBLY
WIRE DRESS OPTION 9

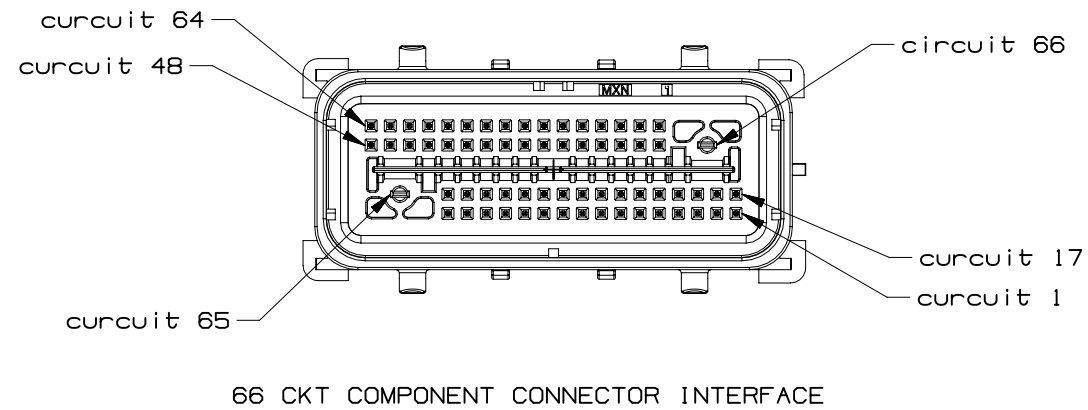
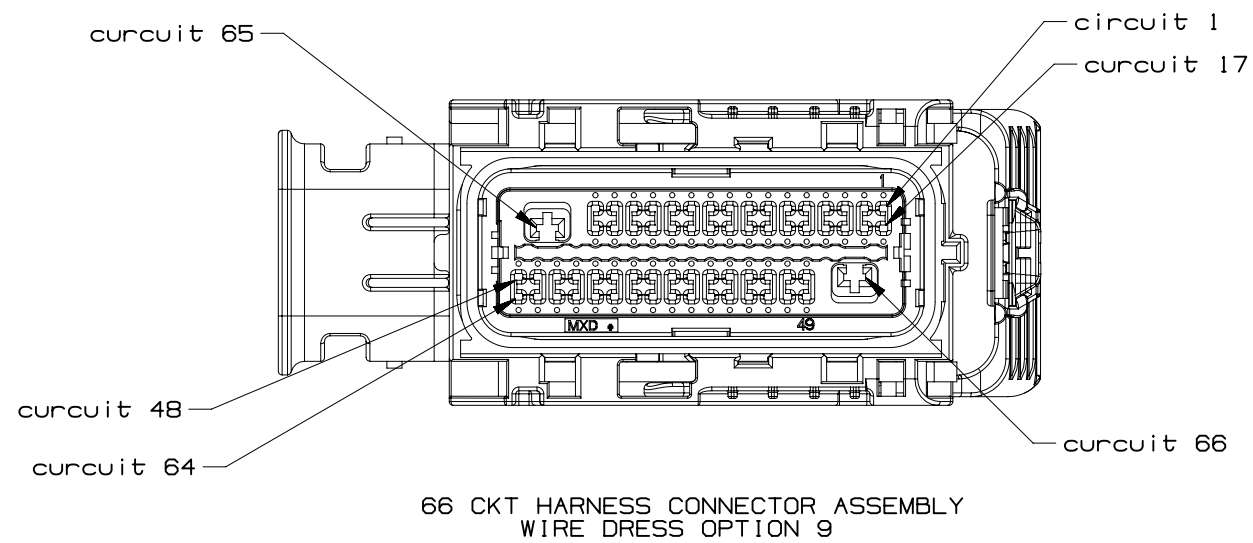
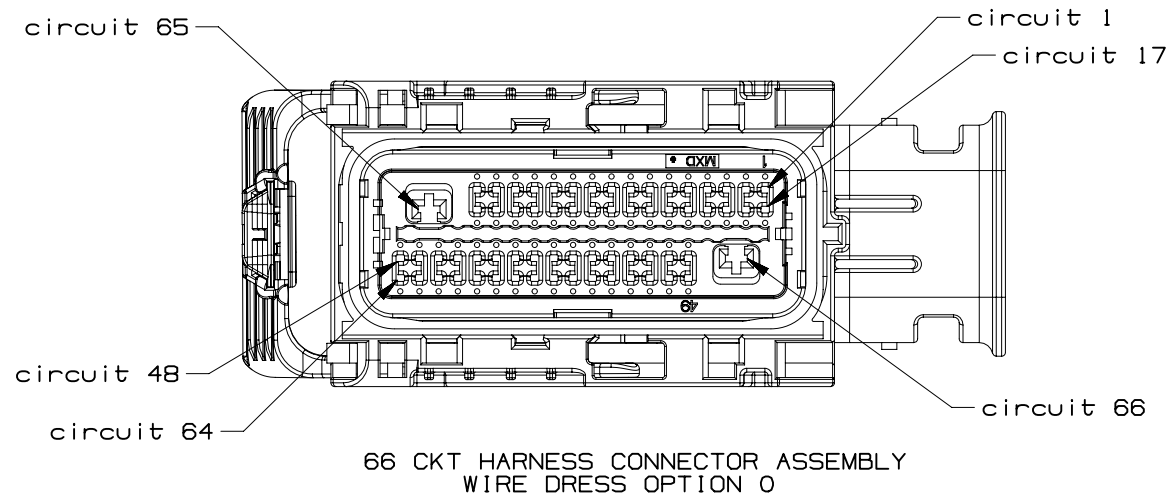


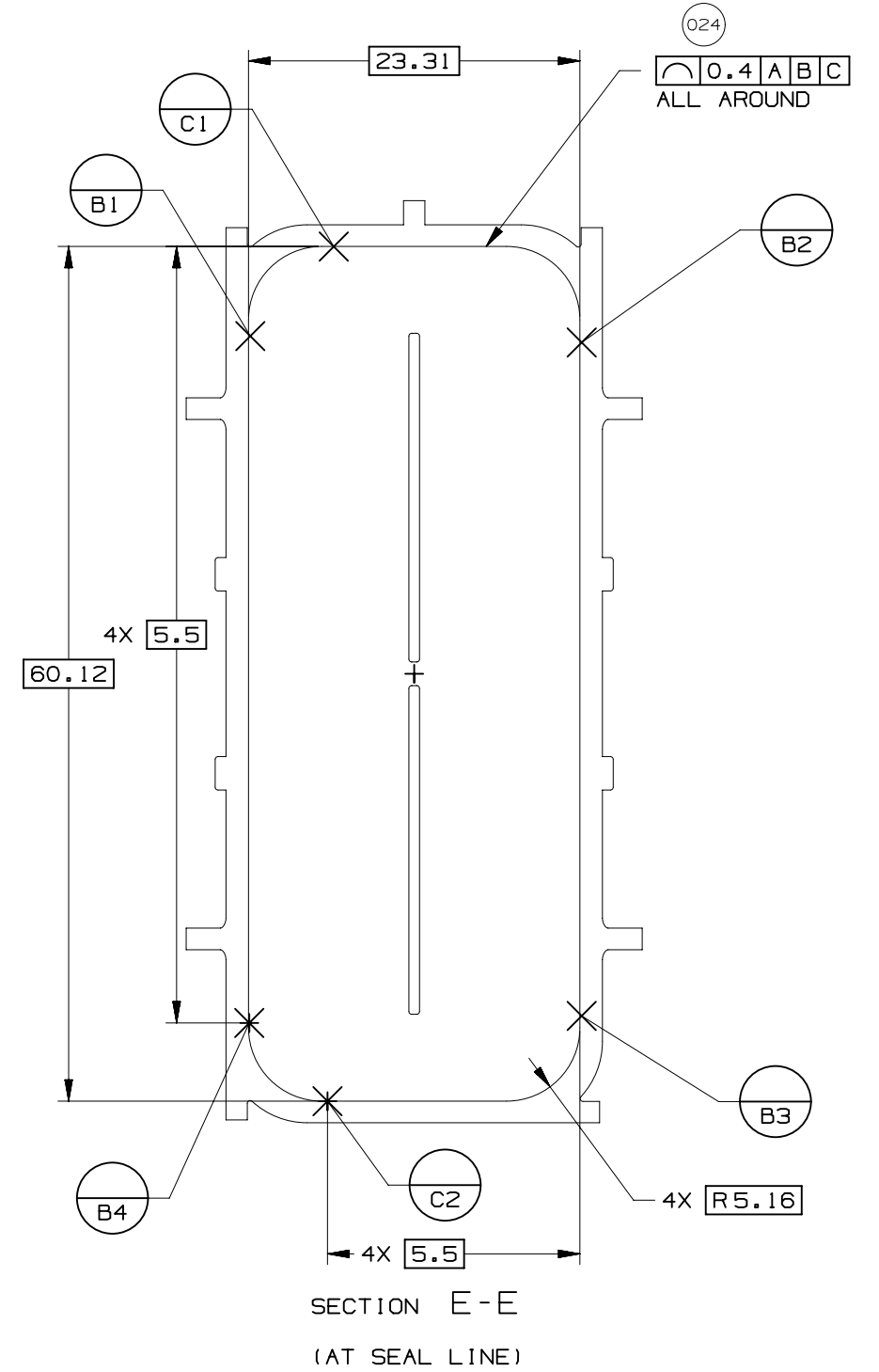
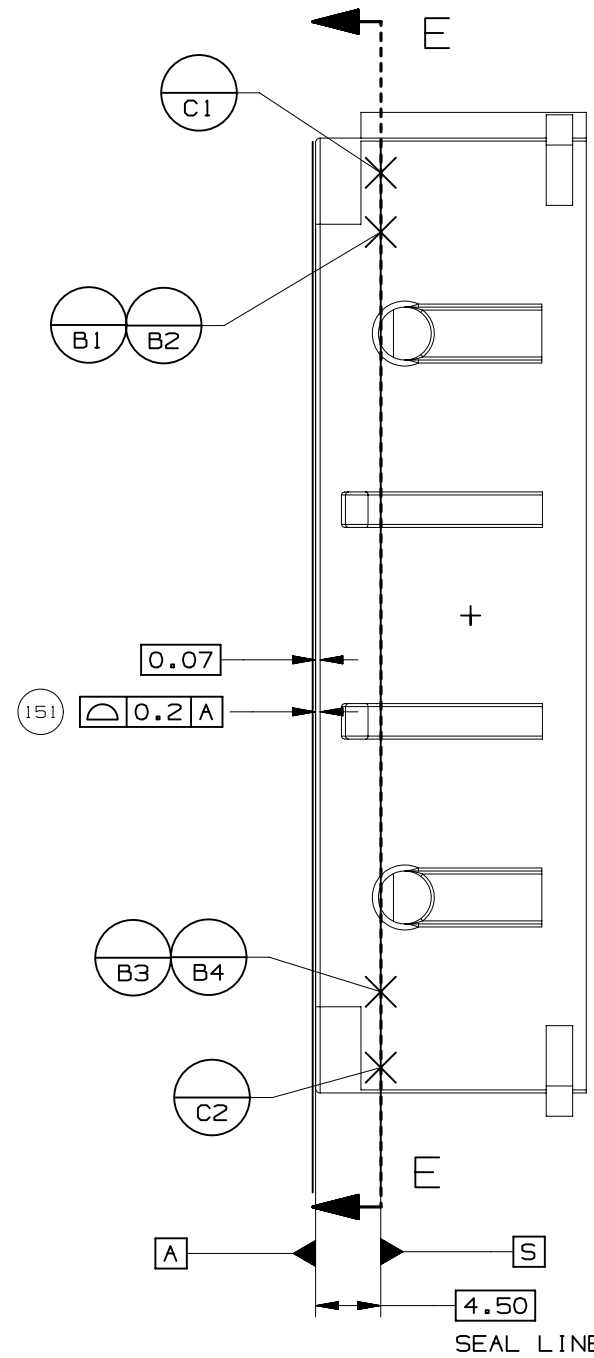
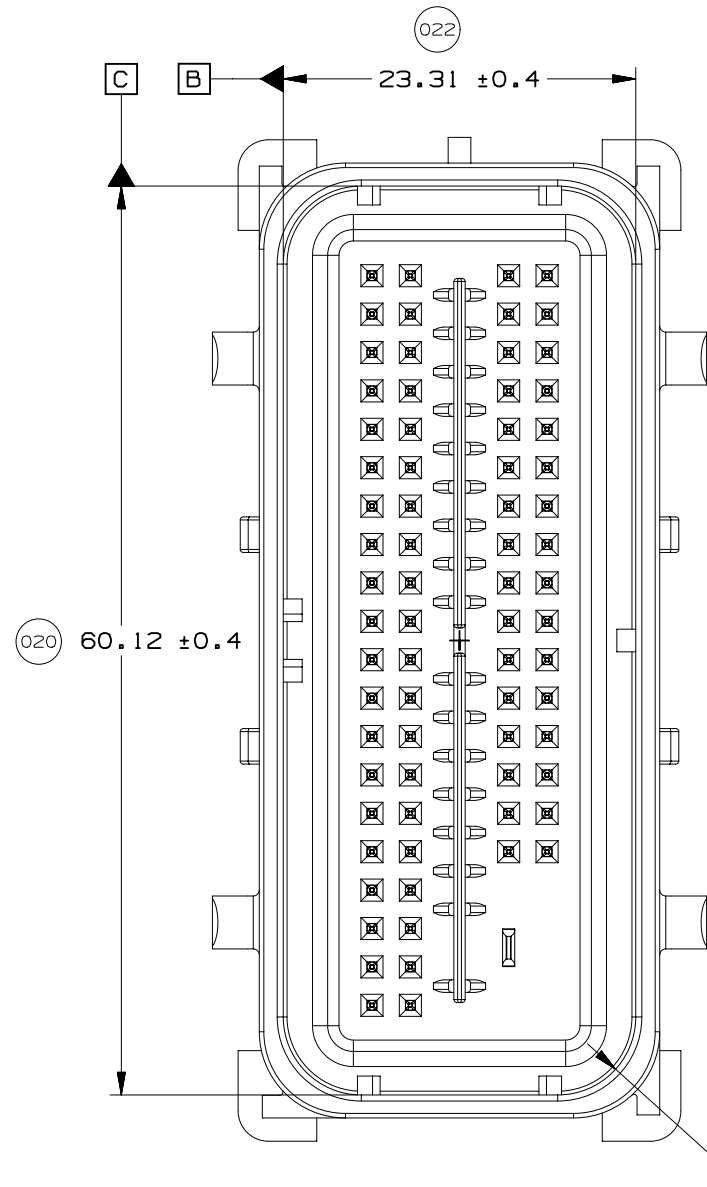
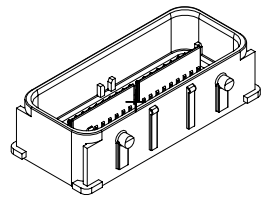
73 CKT COMPONENT CONNECTOR INTERFACE



80 CKT COMPONENT CONNECTOR INTERFACE







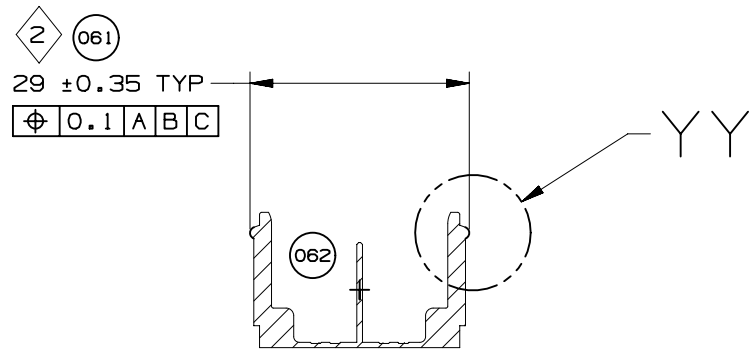
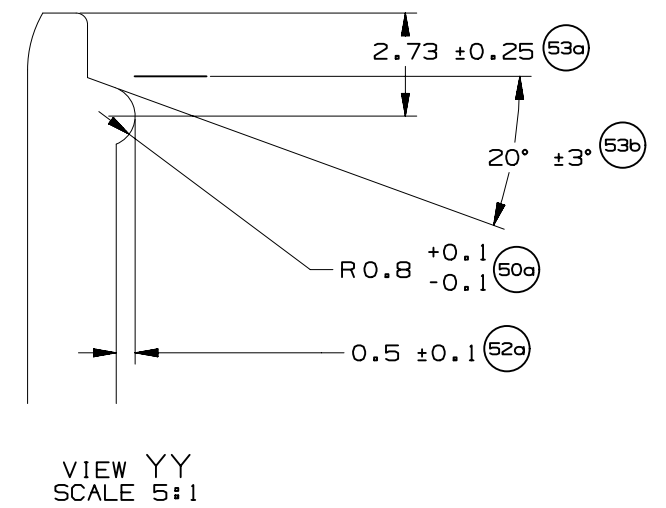
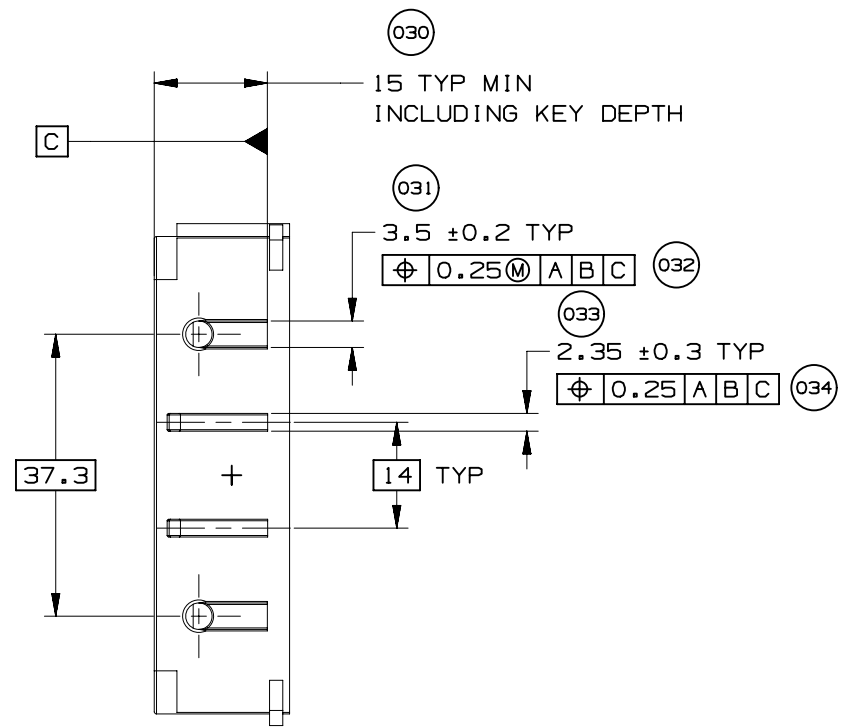
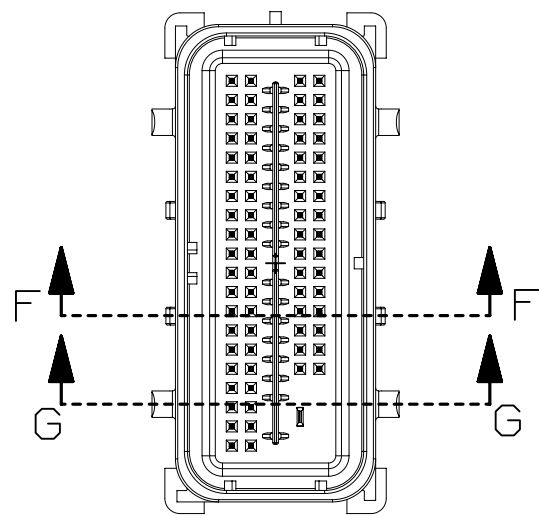
UNLESS SPECIFIED, TOLERANCE OF THE COMPONENT CONNECTOR INTERFACE TO BE $\sqrt[0.13]{A B C}$



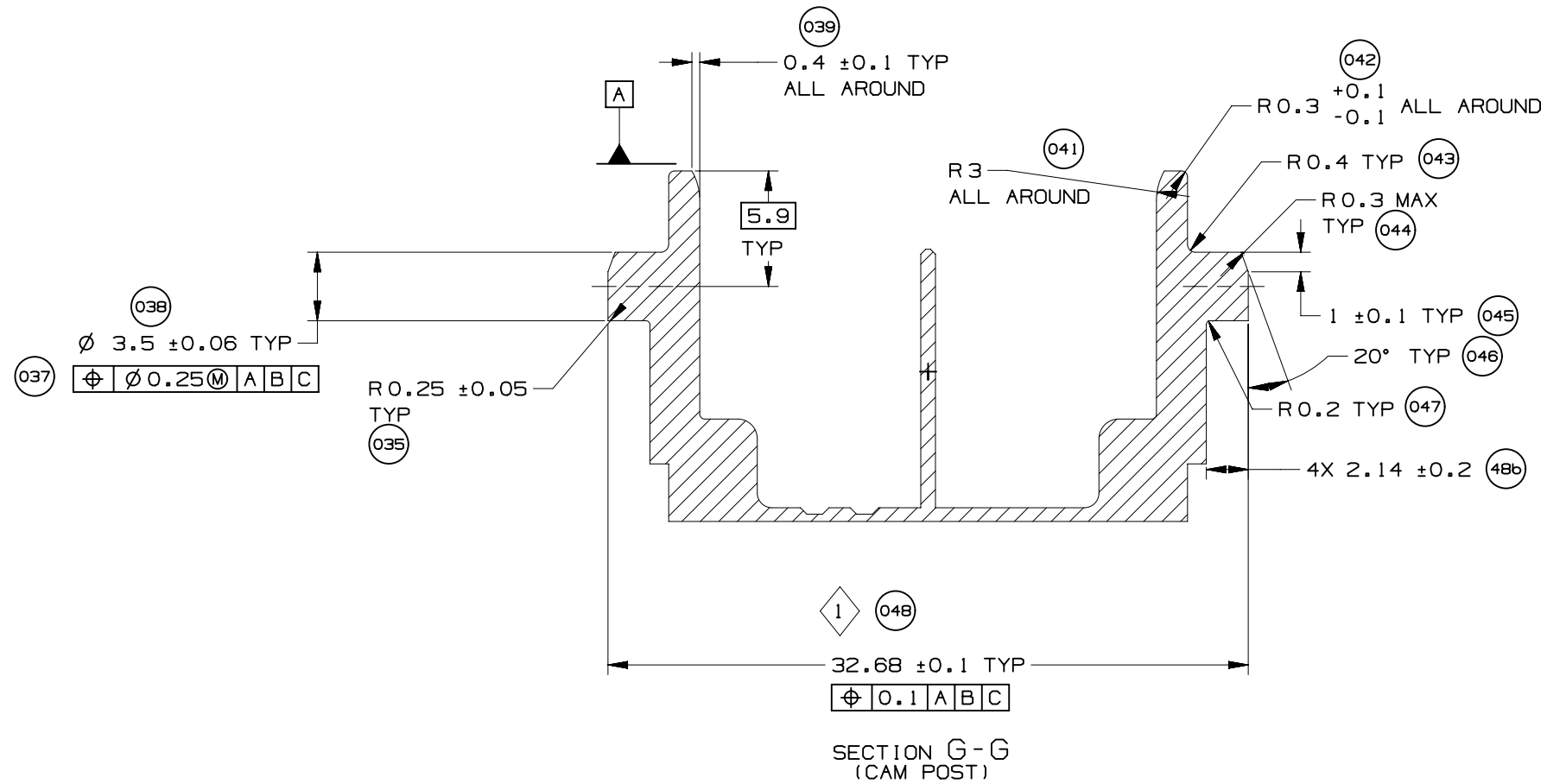
PAGE TITLE
COMPONENT CONNECTOR INTERFACE

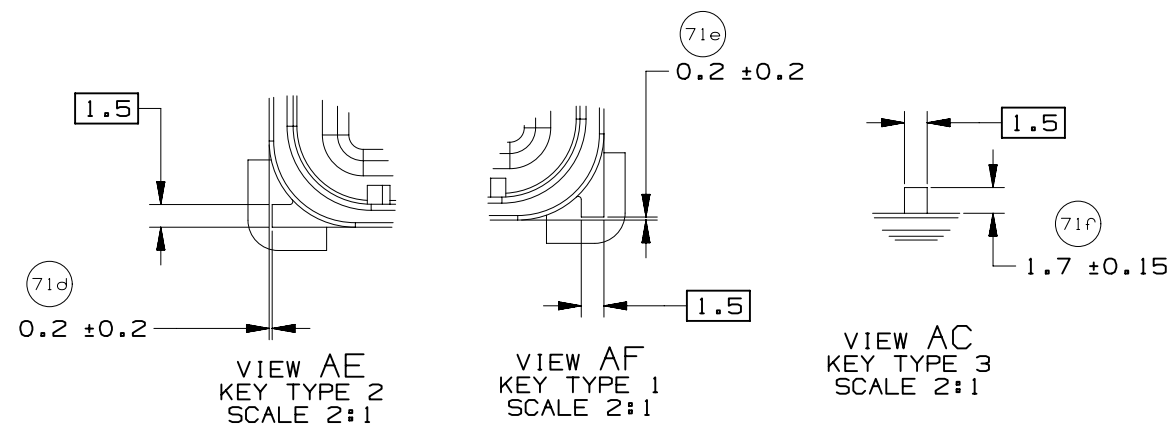
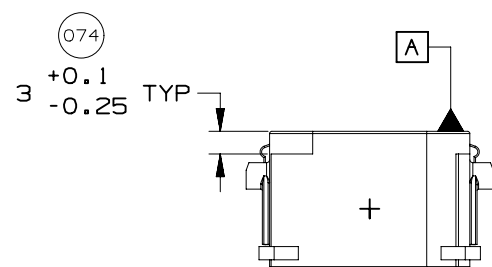
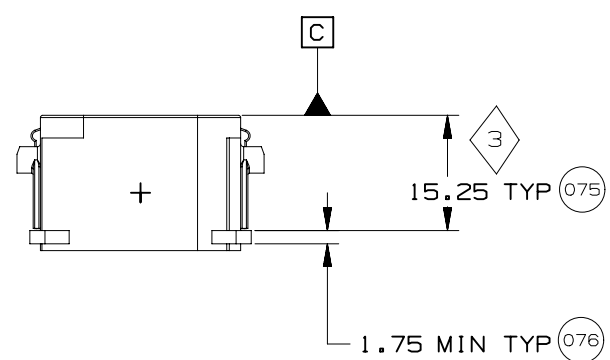
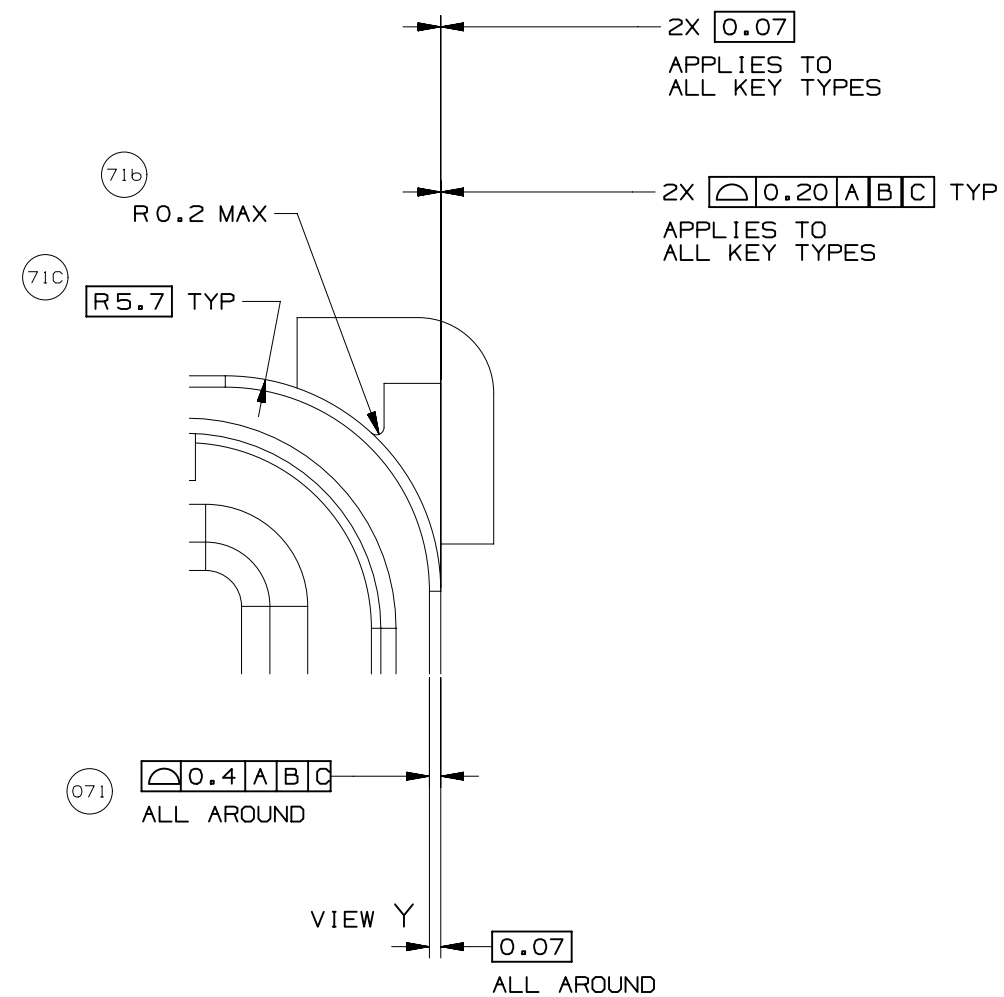
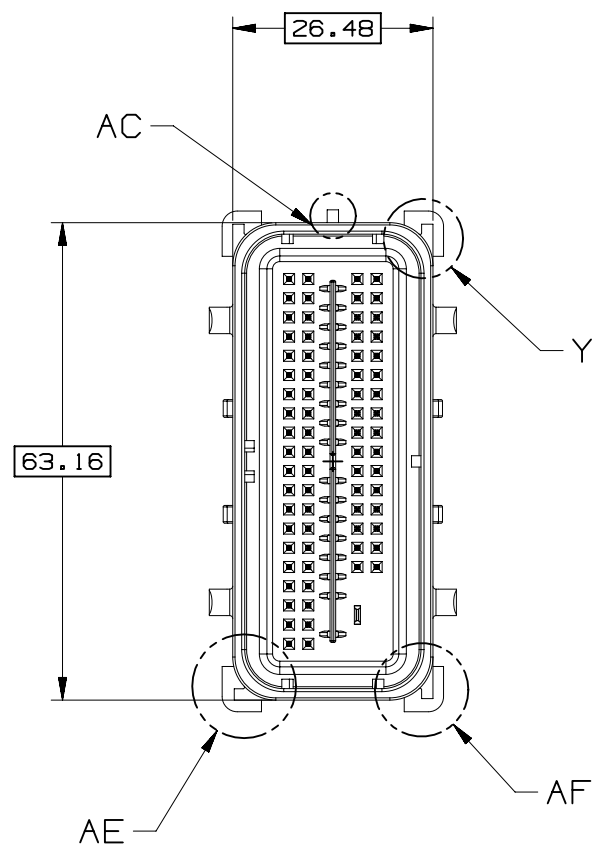
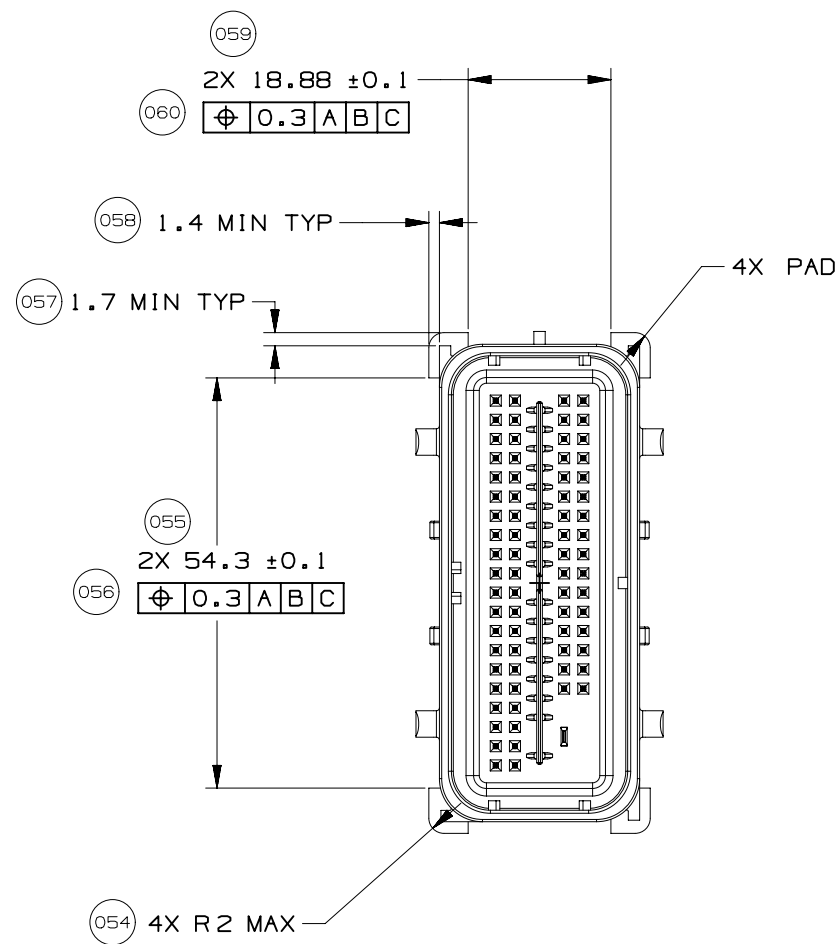
DRAWING NUMBER
12642695

DWG STATUS			PAGE NUMBER
ST	REV	PD1	
R	002		15 OF 21



SECTION F-F

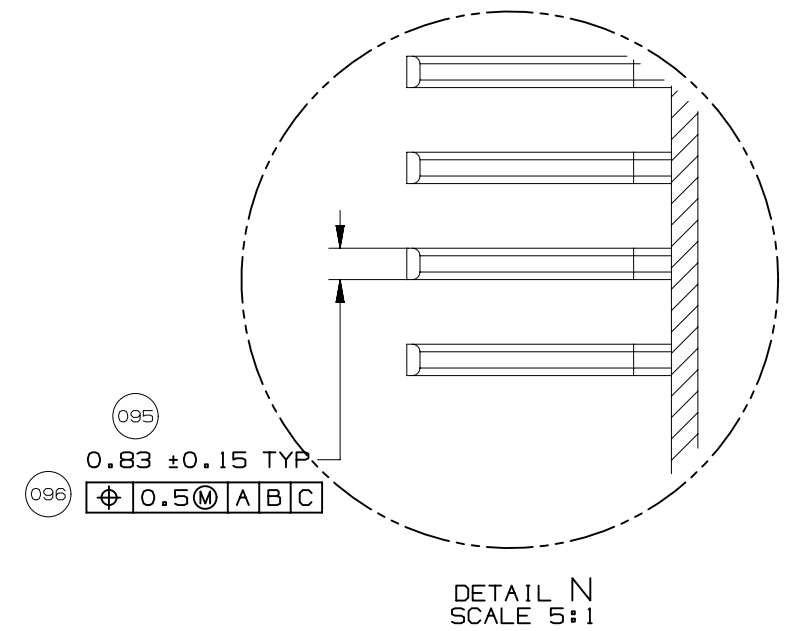
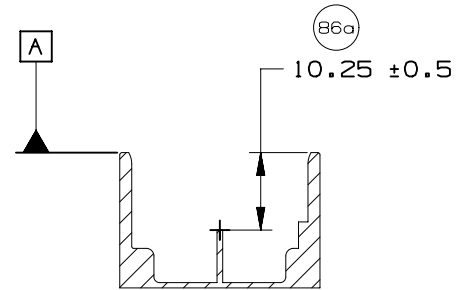
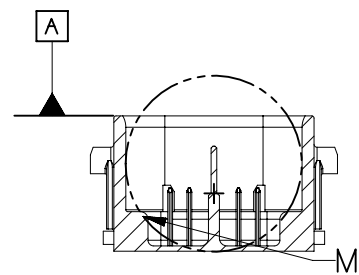
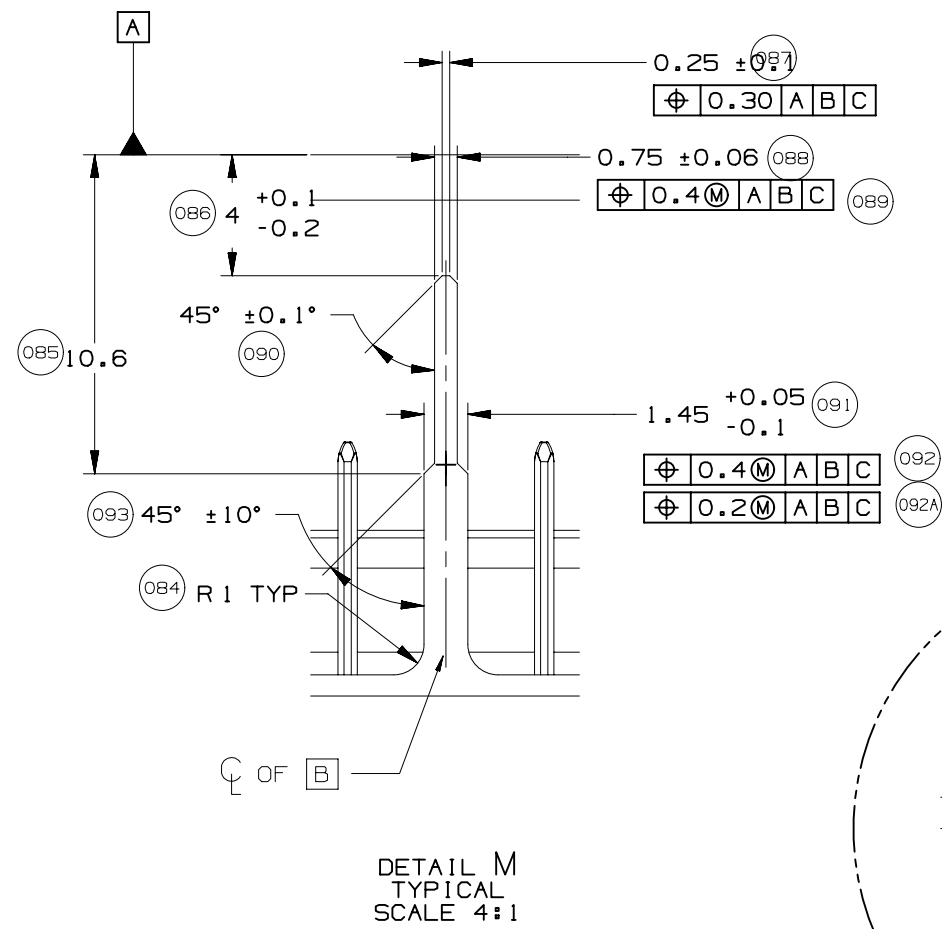
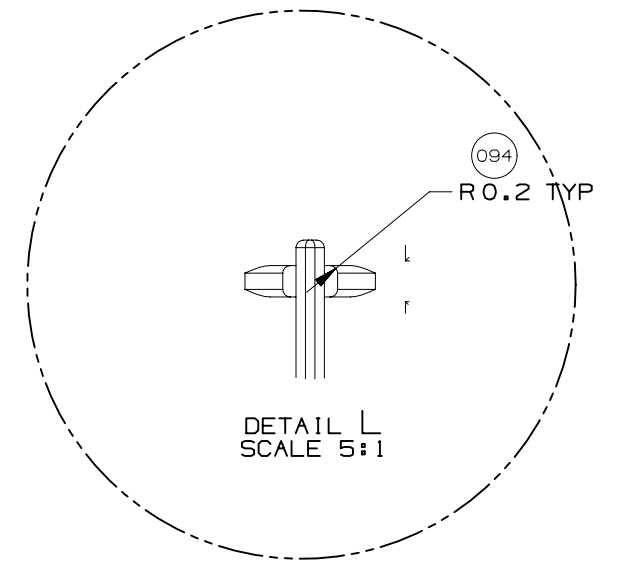
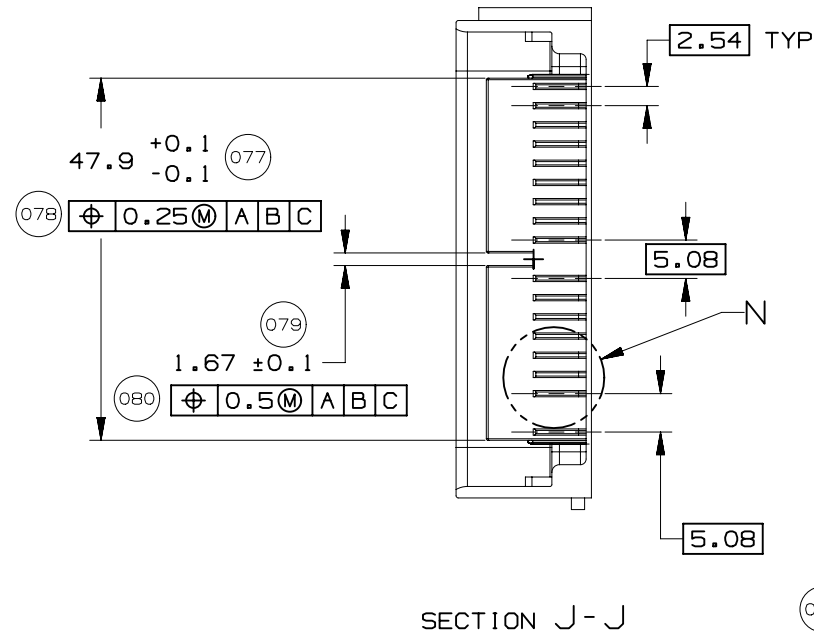
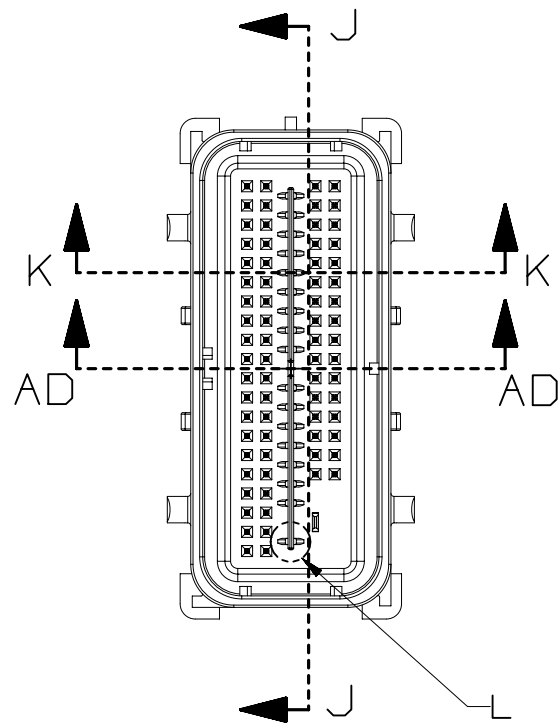


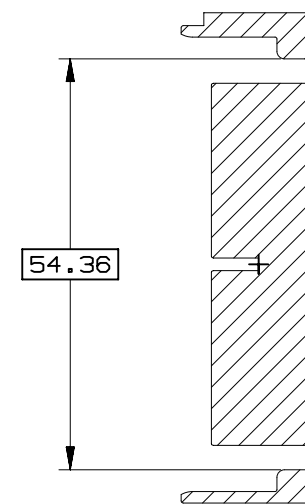
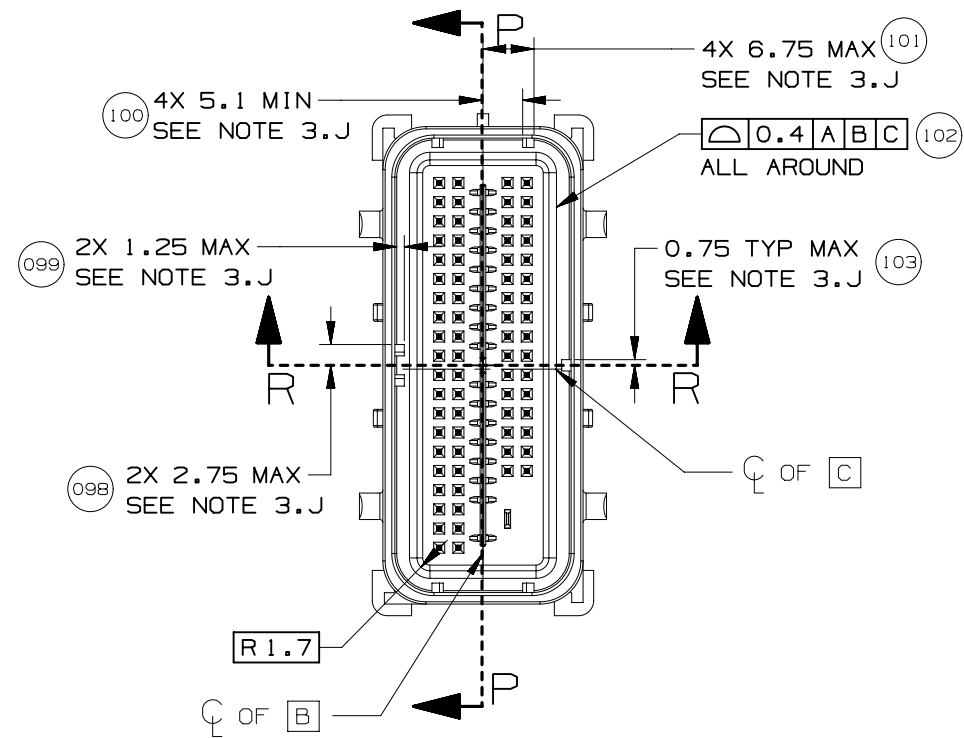


PAGE TITLE
 COMPONENT CONNECTOR INTERFACE

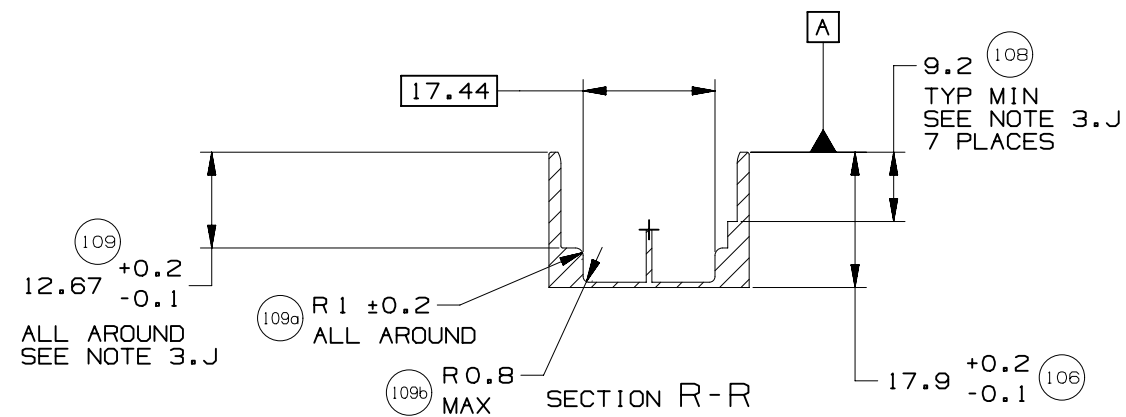
DRAWING NUMBER
 12642695

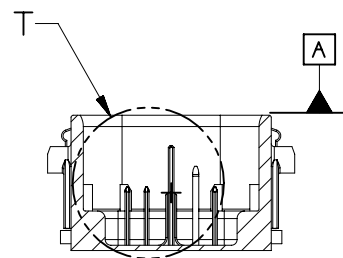
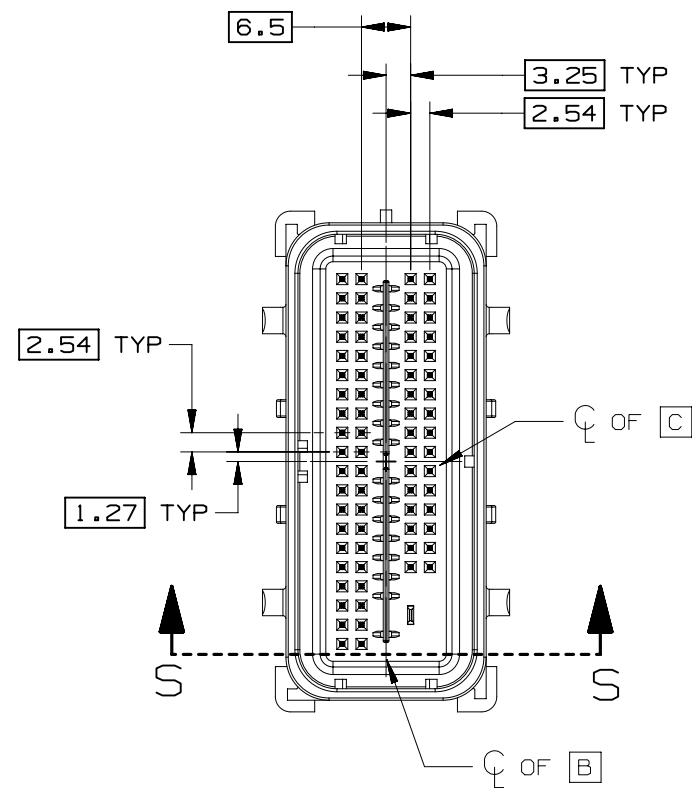
DWG STATUS			PAGE NUMBER
ST	REV	PD1	
R	002		17 OF 21



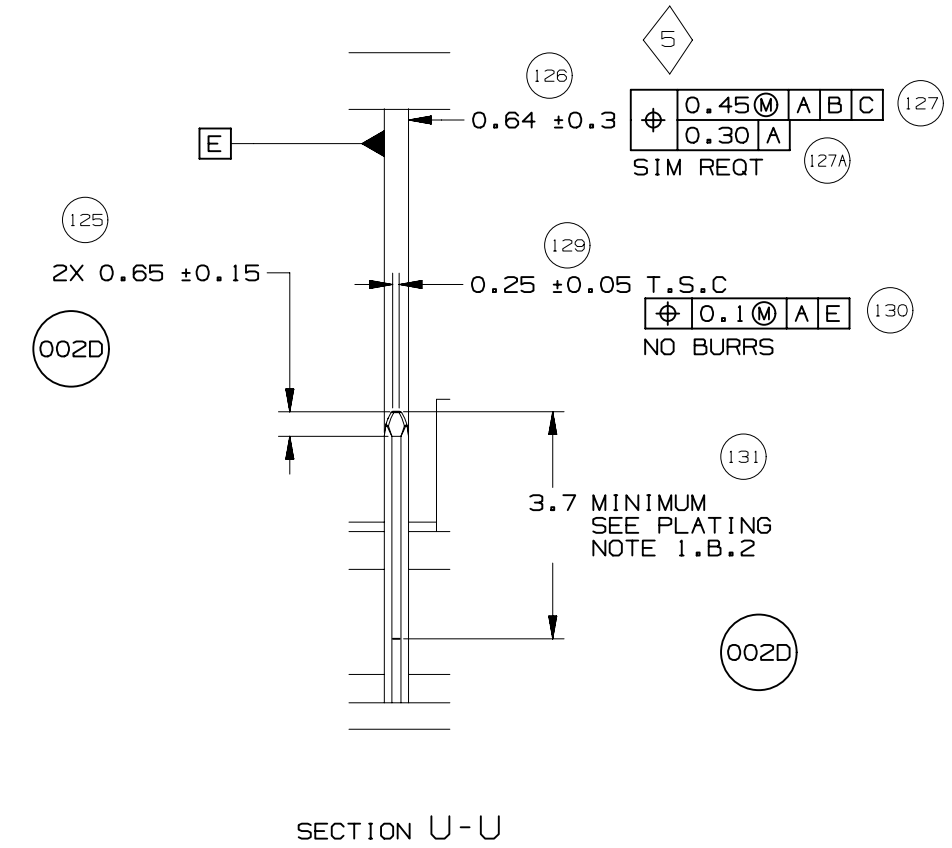
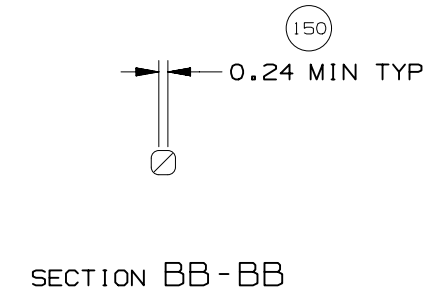
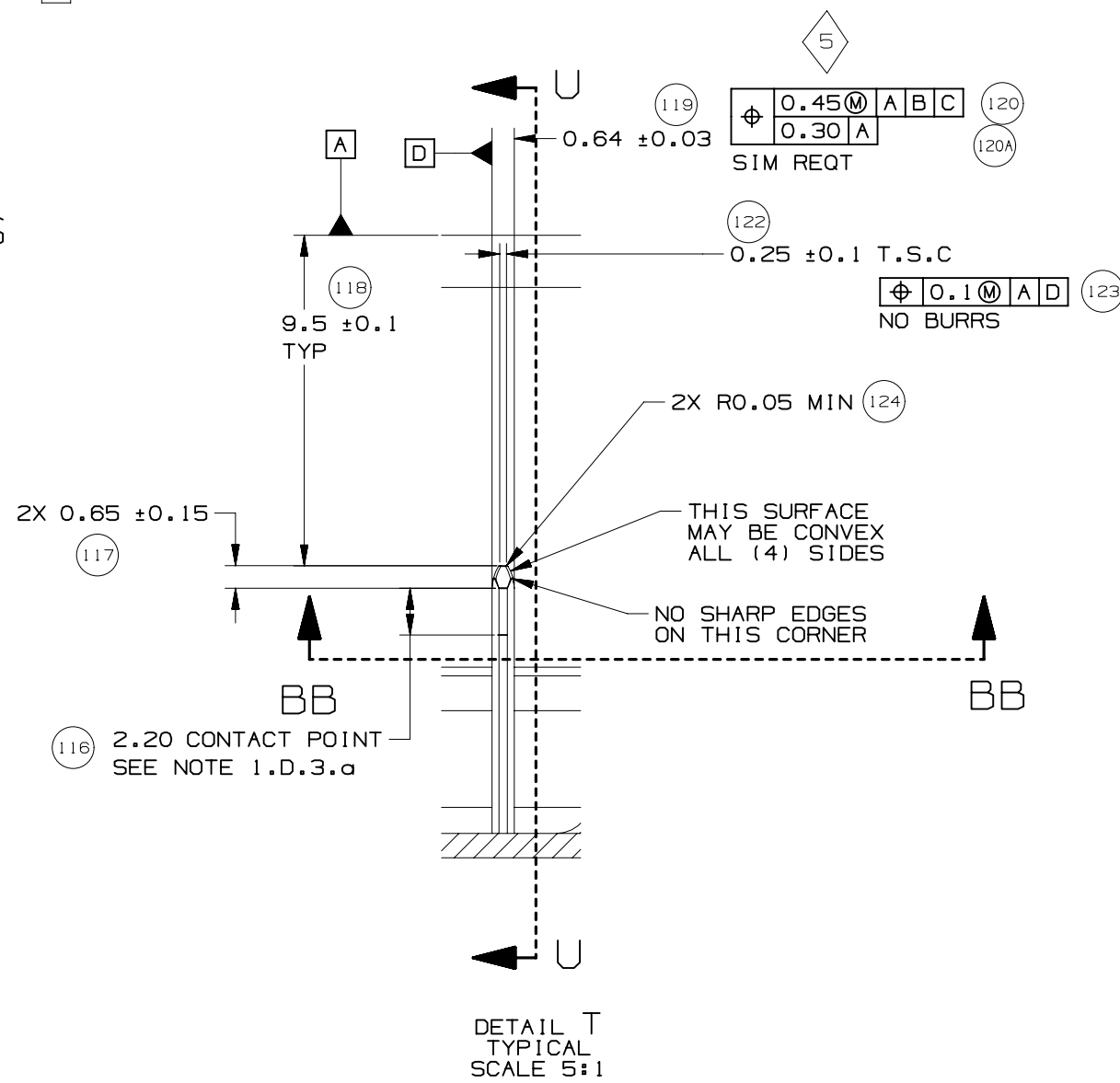


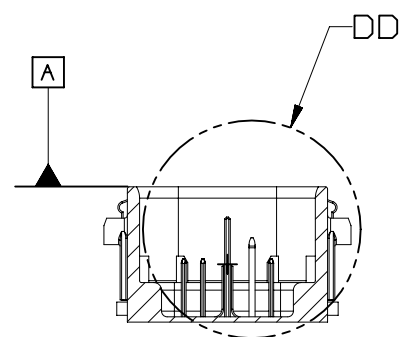
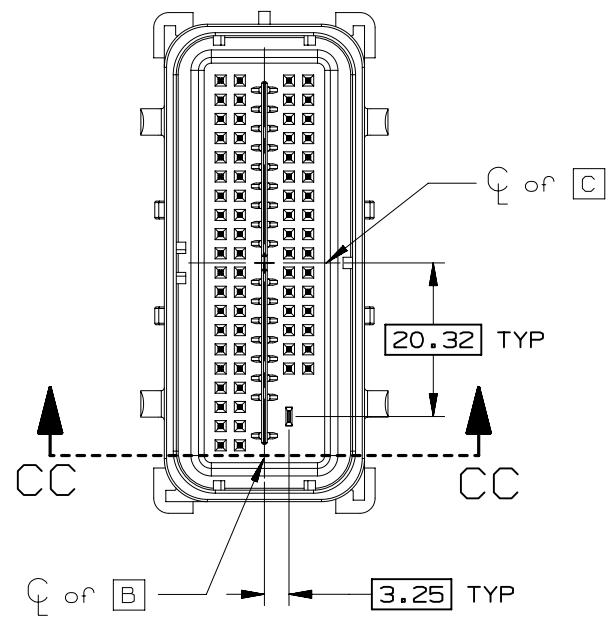
SECTION P-P



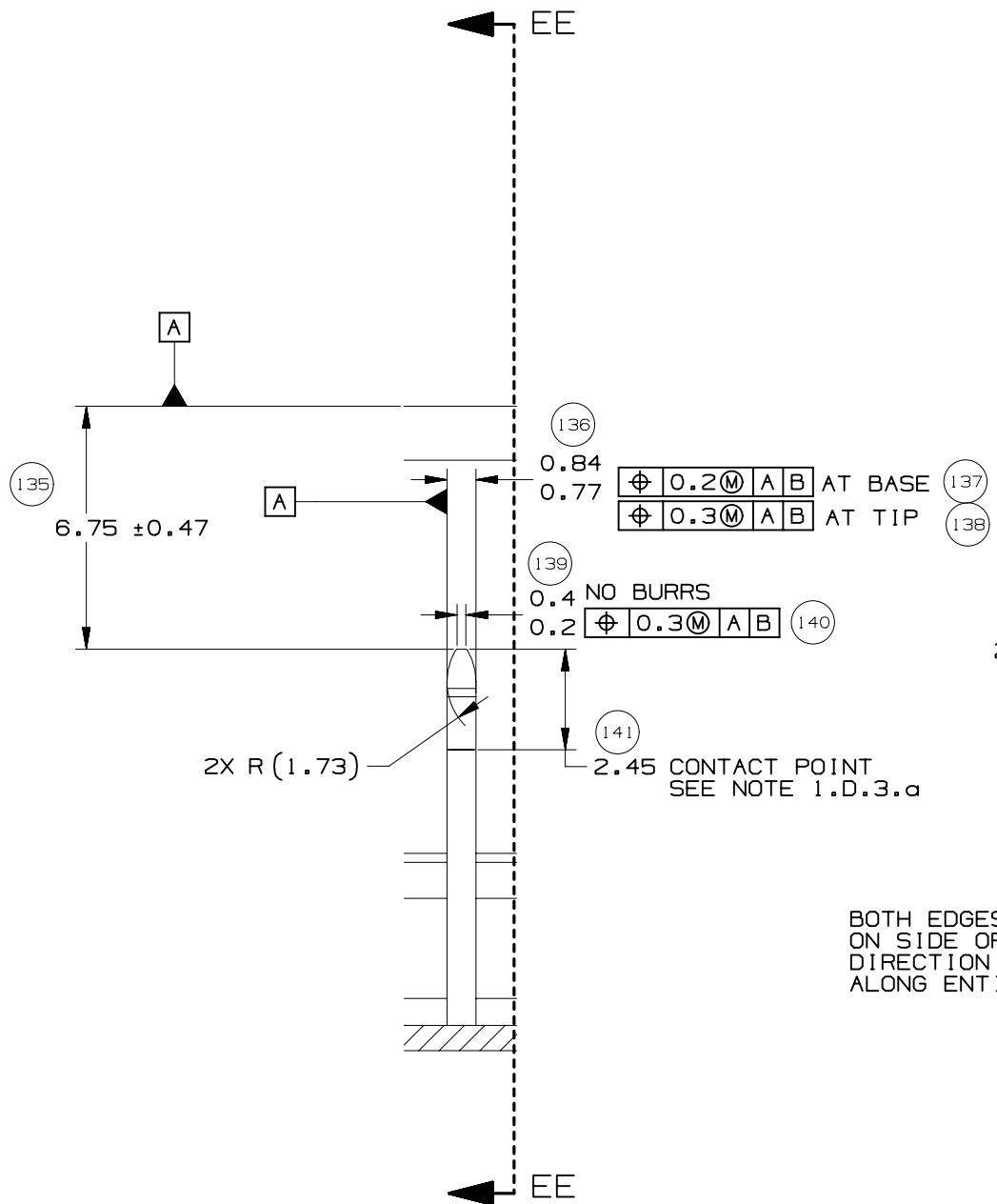


SECTION S-S

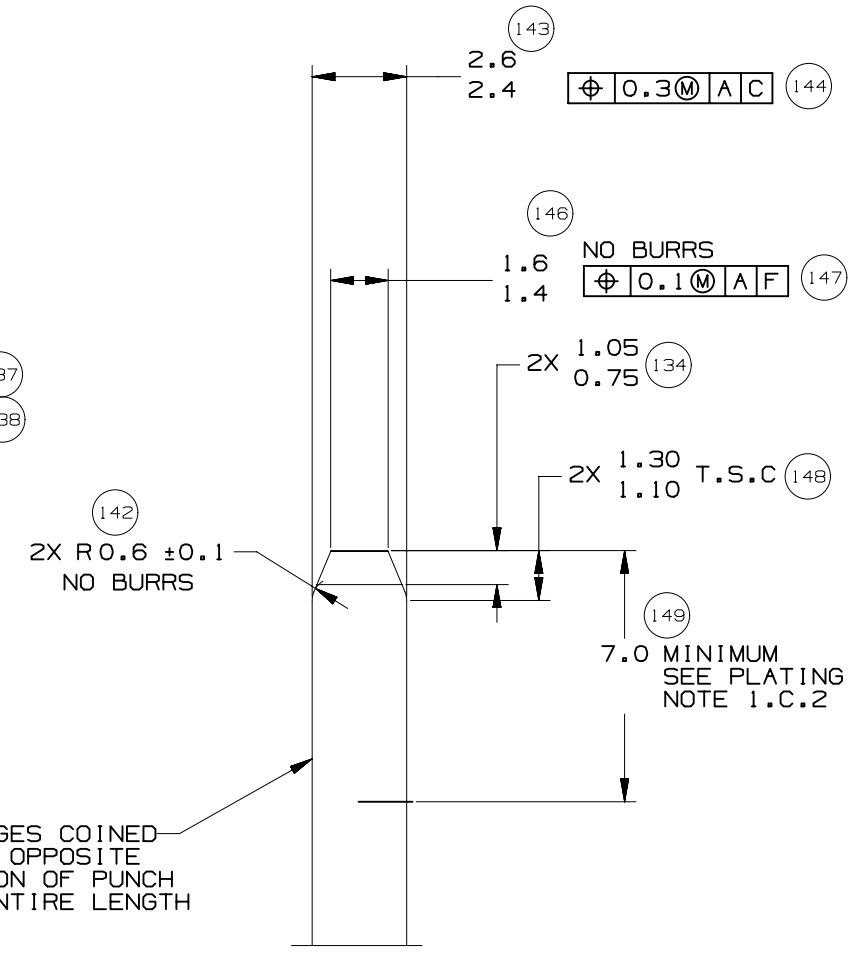




SECTION CC-CC



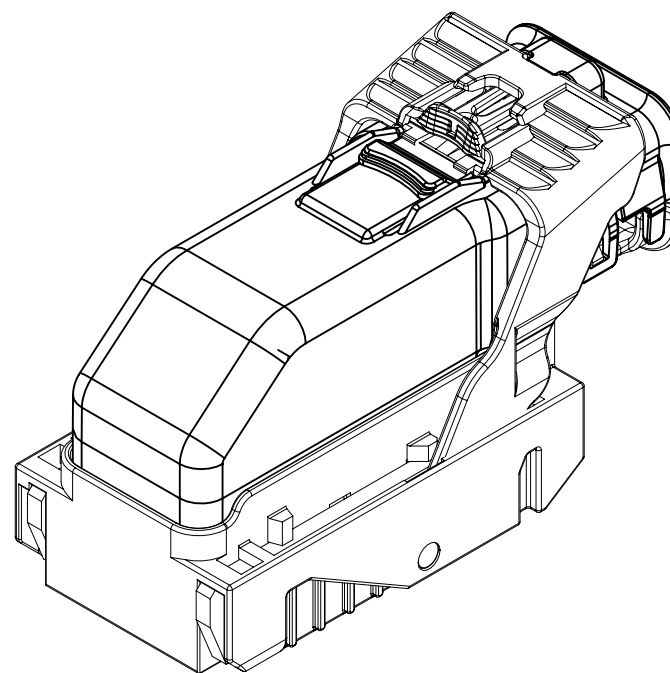
DETAIL DD
TYPICAL
SCALE 5:1




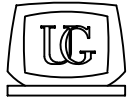
SECTION EE-EE
TYPICAL



INDEX	
PAGE TITLE	PAGE
TITLE BLOCK	1
REVISION BLOCK	2
PART BLOCK	3
KPC BLOCK	4
COMPONENT TABLE	5
NOTES	6
NOTES	7
WIRE DRESS PACKAGING DIMENSIONS	8
LOCATION AND PACKAGING DIMENSIONS REFERENCING INTERFACE DATUMS B & C	9
LOCATION AND PACKAGING DIMENSIONS REFERENCING INTERFACE DATUM A	10
KEY ID REF - WIRE DRESS OPTION 0	11
KEY ID REF - WIRE DRESS OPTION 9	12
CIRCUIT CONFIGURATIONS	13
CIRCUIT CONFIGURATIONS	14
COMPONENT CONNECTOR INTERFACE	15
COMPONENT CONNECTOR INTERFACE	16
COMPONENT CONNECTOR INTERFACE	17
COMPONENT CONNECTOR INTERFACE	18
COMPONENT CONNECTOR INTERFACE	19
COMPONENT CONNECTOR INTERFACE	20
COMPONENT CONNECTOR INTERFACE	21
ADDITIONAL COMPONENTS REQUIRED	22




ISO VIEW

	<p>UNLESS OTHERWISE SPECIFIED: THIS DOCUMENT IS IN ACCORDANCE WITH ASME Y14.5M-1994 AS AMMENDED BY THE GM GLOBAL DIMENSIONING AND TOLERANCING ADDENDUM-1997. ALL GEOMETRIC TOLERANCES AND RELATED DATUMS APPLY RFS. RULE #1 (PERFECT FORM AT MMC) DOES NOT APPLY WHEN A RELATIONSHIP BETWEEN FEATURES IS ESTABLISHED BY ORIENTATION OR LOCATION TOLERANCES. SEPARATE POSITION CALLOUTS MAY BE GAGED SEPARATELY REGARDLESS OF DATUM REFERENCES.</p>			DATE
	 CHANGE RESTRICTED NO MANUAL CHANGES	REFERENCE 12H (MOLEX AUTOMOTIVE)	DRAFTER APVD1	05JN15
DO NOT SCALE		APVD2		
METRIC DIMENSIONS SHOWN IN MILLIMETERS UNLESS OTHERWISE SPECIFIED		APVD3		
	DRAWING NAME	APVD4		
	HARNESS CONN ASM-SEALED 52/66/73/80 CKTS, MX123	APVD5		
	DRAWING NUMBER	DWG STATUS		
	12672833	ST	REV	
		R	001	
		PAGE NUMBER		
		1	OF 22	

PAGE	DWG STATUS					REVISION HISTORY	AUTH	DR	CK	ENG
	DATE	ST	REV	CHG	PDI					
	05JN15	R	001			RELEASED TO PRODUCTION AT DLS A	CRMRJE	DFK		

PAGE	DWG STATUS					REVISION HISTORY	AUTH	DR	CK	ENG
	DATE	ST	REV	CHG	PDI					

	PAGE TITLE	DRAWING NUMBER	DWG STATUS			PAGE NUMBER		
	REVISION BLOCK			12672833	ST		REV	PDI
				R	001			2 OF 22

KEY PRODUCT CHARACTERISTICS
(IN ACCORDANCE WITH QN 1805 OR ON 1050)



SAFETY/COMPLIANCE

TOTAL ON
DRAWING

4



FIT/FUNCTION

LAST NO.
USED

4

NO	TYPE	DESCRIPTION	RATIONALE	PAGE/ZONE
1	F/F	32.68	IMPROVE CONNECTOR SYSTEM MATING	16
2	F/F	29.00	INSURE PROPER RELEASE OF LEVER	16
3	F/F	15.25	INSURE FINAL MATE POSITION	17
4	F/F	POSITIONAL TOLERANCE (2 PLACES)	INSURE CONNECTOR SYSTEM MATEABILITY	20



PAGE TITLE
KPC BLOCK

DRAWING NUMBER

12672833

DWG STATUS

ST	REV	PDI
----	-----	-----

R	001	
---	-----	--

PAGE NUMBER

4 OF 22

LINE	MFG.	MFG. P/N	GM P/N	EFFECTIVE DATE	APPLICABLE COMPONENTS	KEY OPTION	WIRE DRESS OPTION	KEY CONFIG.	COLOR	STATUS
					DESCRIPTION					
-										
1	MOLEX	34565-0003	12582676	02JN03	MX123 DRESS COVER 52/66/73/80 CKT	N/A	N/A	N/A	BLACK	AVAILABLE
2	MOLEX	160094-0001	12672852	01SP13	MX123 HRNS CONN ASSY 52 CKT	A	0	1458	BLACK	AVAILABLE
3	MOLEX	160094-0003	12672854	01SP13	MX123 HRNS CONN ASSY 52 CKT	C	0	2467	BLUE	AVAILABLE
4	MOLEX	160094-0013	12672853	01SP13	MX123 HRNS CONN ASSY 52 CKT	A	9	1458	BLACK	AVAILABLE
5	MOLEX	160094-0015	12672855	01SP13	MX123 HRNS CONN ASSY 52 CKT	C	9	2467	BLUE	AVAILABLE
6	MOLEX	34822-0013	12672856	01SP13	MX123 HRNS CONN ASSY 66 CKT	A	0	1458	BLACK	AVAILABLE
7	MOLEX	34822-0033	12672858	01SP13	MX123 HRNS CONN ASSY 66 CKT	C	0	2467	BLUE	AVAILABLE
8	MOLEX	34822-0023	12672857	01SP13	MX123 HRNS CONN ASSY 66 CKT	A	9	1458	BLACK	AVAILABLE
9	MOLEX	34822-0043	12672859	01SP13	MX123 HRNS CONN ASSY 66 CKT	C	9	2467	BLUE	AVAILABLE
10	MOLEX	34566-0103	12672860	11JN04	MX123 HRNS CONN ASSY 73 CKT	A	0	1458	BLACK	AVAILABLE
11	MOLEX	34566-0203	12672862	11JN04	MX123 HRNS CONN ASSY 73 CKT	B	0	1468	ST GRAY	AVAILABLE
12	MOLEX	34566-0303	12672864	09AP08	MX123 HRNS CONN ASSY 73 CKT	C	0	2467	BLUE	AVAILABLE
13	MOLEX	34566-0603	12672866	05DC14	MX123 HRNS CONN ASSY 73 CKT	F	0	1357	NATURAL	AVAILABLE
14	MOLEX	34566-1303	12672861	11JN04	MX123 HRNS CONN ASSY 73 CKT	A	9	1458	BLACK	AVAILABLE
15	MOLEX	34566-1403	12672863	11JN04	MX123 HRNS CONN ASSY 73 CKT	B	9	1468	ST GRAY	AVAILABLE
16	MOLEX	34566-1503	12672865	09AP08	MX123 HRNS CONN ASSY 73 CKT	C	9	2467	BLUE	AVAILABLE
17	MOLEX	34566-1803	12672867	05DC14	MX123 HRNS CONN ASSY 73 CKT	F	9	1357	NATURAL	AVAILABLE
18	MOLEX	34566-0703	12672872	09AP08	MX123 HRNS CONN ASSY 80 CKT	G	0	1358	BLUE	AVAILABLE
19	MOLEX	34566-0803	12672870	11JN04	MX123 HRNS CONN ASSY 80 CKT	H	0	2458	ST GRAY	AVAILABLE
20	MOLEX	34566-0903	12672868	T.B.D	MX123 HRNS CONN ASSY 80 CKT	J	0	2457	BLACK	NOT ACTIVE
21	MOLEX	34566-1903	12672873	09AP08	MX123 HRNS CONN ASSY 80 CKT	G	9	1358	BLUE	AVAILABLE
22	MOLEX	34566-2003	12672871	11JN04	MX123 HRNS CONN ASSY 80 CKT	H	9	2458	ST GRAY	AVAILABLE
23	MOLEX	34566-2103	12672869	T.B.D	MX123 HRNS CONN ASSY 80 CKT	J	9	2457	BLACK	NOT ACTIVE
24	MOLEX	34736-0028	12672851	01AU10	MX64 RCPT TERM Ag 0.5mm/0.75mm ISO GAGE B (RIGHT PAYOFF)	N/A	N/A	N/A	N/A	AVAILABLE
25	MOLEX	34736-0026	12672850	01AU10	MX64 RCPT TERM Ag 0.35mm ISO GAGE B (RIGHT PAYOFF)	N/A	N/A	N/A	N/A	AVAILABLE
26	MOLEX	34586-0001	12674820	11JN04	MX123 0.64mm GROMMET PLUG	N/A	N/A	N/A	NATURAL	AVAILABLE
27	YAZAKI	7116-4150-02	12588066	02JN03	2.8mm YESC SEALED FEMALE TERMINAL TIN 0.35mm2-0.50mm2	N/A	N/A	N/A	N/A	NOT ACTIVE
28	YAZAKI	7116-4151-02	12588067	02JN03	2.8mm YESC SEALED FEMALE TERMINAL TIN 0.75mm2-1.0mm2	N/A	N/A	N/A	N/A	NOT ACTIVE
29	YAZAKI	7116-4152-02	12582685	02JN03	2.8mm YESC SEALED FEMALE TERMINAL TIN 1.5mm2-2.5mm2	N/A	N/A	N/A	N/A	AVAILABLE
30	YAZAKI	7158-3111-60	12588068	02JN03	2.8mm CABLE SEAL (wire O.D. range 1.2mm-1.9mm)	N/A	N/A	N/A	GREEN	NOT ACTIVE
31	YAZAKI	7158-3112-70	12588069	02JN03	2.8mm CABLE SEAL (wire O.D. range 1.8mm-2.3mm)	N/A	N/A	N/A	YELLOW	NOT ACTIVE
32	YAZAKI	7158-3113-40	12582686	02JN03	2.8mm CABLE SEAL (wire O.D. range 2.1mm-3.0mm)	N/A	N/A	N/A	WHITE	AVAILABLE
33	YAZAKI	7158-3114-90	12674821	02JN03	2.8mm YESC CAVITY PLUG	N/A	N/A	N/A	BLUE	AVAILABLE
34	MOLEX	63825-8400	N/A	02JN03	MX64 TERM HAND CRIMP TOOL	N/A	N/A	N/A	N/A	AVAILABLE
35	MOLEX	63813-1400	XX019826	02JN03	MX64 TERM SERVICE TOOL	N/A	N/A	N/A	N/A	AVAILABLE
36	MOLEX	63902-5300	N/A	02JN03	MX64 CRIMP APPLICATOR with TOOL KIT 0.5/0.75mm2 PAYOFF DIRECTION D (left payoff) (contact Molex for payoff detail)	N/A	N/A	N/A	N/A	AVAILABLE
37	MOLEX	63902-5370	N/A	02JN03	MX64 APPLICATOR TOOL KIT 0.5/0.75mm2	N/A	N/A	N/A	N/A	AVAILABLE
38	MOLEX	63902-5100	N/A	02JN03	MX64 CRIMP APPLICATOR with TOOL KIT 0.35mm2 PAYOFF DIRECTION D (left payoff) (contact Molex for payoff detail)	N/A	N/A	N/A	N/A	AVAILABLE
39	MOLEX	63902-5170	N/A	02JN03	MX64 APPLICATOR TOOL KIT 0.35mm2	N/A	N/A	N/A	N/A	AVAILABLE
40	SPX	J35616-64	T.B.D.	02JN03	0.64mm PROBE TOOL (for rcpt)	N/A	N/A	N/A	N/A	AVAILABLE
41	SPX	J35616-64A	T.B.D.	02JN03	0.64mm PROBE TOOL WITH EXT (for rcpt)	N/A	N/A	N/A	N/A	AVAILABLE
42	SPX	J35616-65	T.B.D.	02JN03	0.64mm PROBE TOOL WITH EXT (for pin)	N/A	N/A	N/A	N/A	AVAILABLE
43	SPX	J35616-4A	T.B.D.	02JN03	2.8mm PROBE TOOL (for rcpt)	N/A	N/A	N/A	N/A	AVAILABLE
44	YAZAKI	X39899-J374	12094430	02JN03	2.8mm TERM SERVICE TOOL	N/A	N/A	N/A	N/A	AVAILABLE
45	TQI	7000-1006	N/A	15JN15	52 CKT PASS THROUGH ADAPTERS	N/A	N/A	N/A	BLACK	AVAILABLE
46	TQI	7000-1002	N/A	15JN15	66 CKT PASS THROUGH ADAPTERS	N/A	N/A	N/A	BLACK	AVAILABLE
47	TQI	79917-0061	N/A	15JN15	73 CKT PASS THROUGH ADAPTERS	N/A	N/A	N/A	BLACK	AVAILABLE
48	TQI	79917-0066	N/A	15JN15	80 CKT PASS THROUGH ADAPTERS	N/A	N/A	N/A	BLACK	AVAILABLE

* - MX123 DRESS COVER 52/66/73/80 CKT MATES TO ANY MX123 HARN CONN ASSY SHOWN ON TABLE ABOVE



PAGE TITLE
COMPONENT TABLE

DRAWING NUMBER

12672833

DWG STATUS

ST REV PDI

R 001

PAGE NUMBER

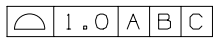
5 OF 22

NOTES: UNLESS OTHERWISE SPECIFIED

1. MATERIAL FOR INTERFACE:


- A. RESIN:
 - 1. 30% G.F. PBT; 20% MAX. (BY WEIGHT) REGRIND.
 - 2. MATING CONNECTOR INTERFACE PART COLOR MUST BE SAME AS MATCHING KEYED HARNESS CONNECTOR ASSEMBLY.
 - 3. MUST BE VALIDATED FOR INDIVIDUAL DEVICE APPLICATION REQUIREMENTS.
- B. 0.64MM PINS:
 - 1. BASE MATERIAL: COPPER ALLOY; CONDUCTIVITY >= 28% IACS AT 20°C; TENSILE STRENGTH >= 635 N/mm²; SURFACE ROUGHNESS R_a 6 MAX.
 - 2. PLATING FINISH: SILVER (Ag). PLATING TO BE 1.9-3.3 μm ELECTRODEPOSITED SEMI-BRIGHT SILVER OVER 1.25-2.25 μm DUCTILE SULPHAMATE NICKEL PER NOTE 1(D).
 - 3. ANTI-TARNISH: SYNTHETIC HYDROCARBON CONTACT SURFACE FINISH OR EQUIVALENT APPLIED WITHOUT VOID TO CONTACT AREA (MIN 3.7mm FROM PIN TIP).
- C. 2.8MM BLADE:
 - 1. BASE MATERIAL: COPPER ALLOY; CONDUCTIVITY >= 28% IACS AT 20°C; TENSILE STRENGTH >= 350 N/mm²; SURFACE ROUGHNESS R_a 6 MAX.
 - 2. PLATING FINISH: TIN. PLATING TO BE 2.5-5.0 μm ELECTRODEPOSITED TIN, MATTE FINISH OVER 1.25-2.5 μm DUCTILE SULPHAMATE NICKEL PER NOTE 1(D).
- D. PLATING REQUIREMENTS:
 - 1. SILVER PLATING
 - a. 99.5% PURE SEMI-BRIGHT WITH NO ORGANIC BRIGHTNERS OR CHROMATES.
 - 2. NICKEL PLATING
 - a. ELECTRODEPOSITED DUCTILE SULFAMATE NICKEL WITH A NON-BRIGHTENED FINISH. NO ORGANIC OR BRIGHTENING AGENTS SHALL BE ALLOWED.
 - b. SHALL ONLY BE USED AS AN UNDERLYING PLATING AND MAY NOT BE USED AS AN ELECTRICAL CONTACT SURFACE PLATING.
 - c. SHALL BE NODULE FREE WHEN VIEWED AT 10X MAGNIFICATION IN MEASURED IN CONTACT SURFACE AREA PLUS 0.5MM PERIMETER AROUND THE CONTACT SURFACE AREA.
 - d. ALL PLATINGS SHALL HAVE A 1.0% MAXIMUM BY WEIGHT IMPURITIES. IMPURITIES ARE DEFINED AS ALL ELEMENTS NOT THE PRIMARY PLATING OR HARDENING AGENT IF APPLICABLE, AS DETERMINED BY WET CHEMICAL ANALYSIS OR AUGER METHOD. NO SINGLE IMPURITY SHALL EXCEED 0.1% MAXIMUM BY WEIGHT.
 - 3. TESTING
 - a. THICKNESS TO BE MEASURED IN CONTACT SURFACE AREA PLUS 0.5MM PERIMETER AROUND THE CONTACT SURFACE AREA AS DESIGNATED IN THE DRAWING. THICKNESS SHALL BE DETERMINED BY METHOD OF X-RAY (XRF).
 - b. PLATING ADHESION SHALL BE TESTED BY A BEND TEST FOR ALL METALS. THE TEST SAMPLE SHALL BE BENT 90 DEGREES TO DETERMINE DEPOSIT ADHESION. TESTING SHALL BE COMPLETED IN ACCORDANCE WITH ASTM SPEC B571.

2. DESIGN - GENERAL:

- A. THIS IS A 100% CAD GENERATED PART. THE CAD MATHEMATICAL DATA IS THE MASTER FOR THIS PART. FOR DIMENSIONAL OR ANY INFORMATION NOT SHOWN ON THIS DRAWING, ANALYZE THE CAD MODEL.
- B. TOLERANCES:
 - 1. LINEAR
 - 0.X ± 0.30
 - 0.XX ± 0.10
 - 0.XXX ± 0.10
 - 2. ANGULAR X° ± 3°
 - 3. 
- C. MINIMUM WALL THICKNESS REQUIRED: 1.3mm.
- D. CORNERS SHOWN AS SHARP TO BE R 0.2 MAX.
- E. LETTERING SHALL BE 0.15 MAX RAISED IN 0.20 MAX RECESS PAD. THIS INCLUDES MATERIAL CODE, RECYCLING CODE, CAVITY ID AND DATE CODE.
- F-1. PARTS MUST BE FREE OF DISCOLORATION, SALT RESIDUE AND OTHER IMPERFECTIONS THAT AFFECT FIT OR FUNCTION.
- F-2. SCRATCHES OR DENTS NOT TO EXCEED 0.013mm IN DEPTH.
- G. FOLLOWING PRODUCTION CODES TO BE PERMANENTLY MARKED & HUMAN READABLE TO A LETTER HEIGHT OF 1.5 ± 0.5MM X 0.3 MAX DEEP
 - 1. MATERIAL #: XXXXX-XXXX
 - 2. DATE CODE: JJYY (JULIAN DAY, LAST DIGIT OF YEAR)
 - 3. INSPECTION MACHINE CODE + SERIAL #: X_XXXXX

3. DESIGN - MANUFACTURING:

- A. DRAFT TO BE WITHIN TOLERANCE.
- B. ALLOWABLE FLASH MAX 0.2 HIGH X MAX 0.13 THICK.
- C. ALLOWABLE PARTING LINE MISMATCH 0.2 MAX.
- D. EJECTOR PINS MARK TO BE FLUSH TO 0.25 MAX DEPRESSED.
- E. ALLOWABLE GATE VESTIGE FLUSH TO 0.25 MAX PROTRUSION.
- F. NO EXTERNAL MOLD RELEASE AGENT ALLOWED DURING MANUFACTURING.
- G. STEEL THAT FORMS THE INDICATED SURFACE MUST BE POLISHED WITH A DIAMOND FINISH (SPI A-2) OVER THE FULL PERIPHERY OF THE TOOL. SURFACE MUST HAVE NO MISMATCH.
- H. ANY PROCESS LUBRICANT REMAINING ON THE TERMINAL MUST NOT VARNISH OR DEGRADE IT'S ELECTRICAL PERFORMANCE UP TO A MAXIMUM CLASS AMBIENT TEMPERATURE PER SAE USCAR-2 FOR 1008 HOURS. PROCESS LUBRICANTS SHOULD BE APPROVED BY THE RESPONSIBLE ENGINEER.
- J. OPTIONAL FEATURES PROVIDED FOR AUTOMATION.
- K. PART MUST BE FREE FROM BURRS AND SHARP EDGES, WHICH MIGHT BE DETRIMENTAL TO SATISFACTORY ASSEMBLY, SAFE HANDLING OR FUNCTION OF PART.
- L. PARTS AS DELIVERED TO ASSEMBLY SHALL BE CLEAN AND FREE OF DEBRIS, RESIDUAL ABRASIVE MATERIAL AND CORROSION PRODUCTS ADVERESLY AFFECTING FUNCTION OR APPEARENCE.
- M. RESTRICTED AND REPORTABLE SUBSTANCES FOR PARTS PER GMW3059.

	PAGE TITLE	DRAWING NUMBER	DWG STATUS			PAGE NUMBER	
	NOTES		12672833	ST	REV	PDI	6 OF 22
				R	001		

NOTES: UNLESS OTHERWISE SPECIFIED

4. SYSTEM REQUIREMENTS:

- A. HARNESS CONNECTOR IS COMPATIBLE WITH THE FOLLOWING ISO WIRE SIZE NO'S:
 0.35mm², MEETING GMW15626 - MIN OD OF 1.30MM
 0.50mm², MEETING GMW15626
 0.75mm², MEETING GMW15626 - MAX OD OF 2.06MM

B. CABLE TIE SPECIFICATIONS:

1. CABLE TIE:
 - TENSILE RATING: 220N / (50lbs) MIN
 - TIE LENGTH: 186mm MIN
 - TIE WIDTH: 4.75mm MAX
 - MATERIAL: NYLON
2. INSTALLATION:
 - CABLE TIE TENSION: 190N MIN
3. DRESSED WIRE BUNDLE PACKAGING: SEE FIG. 1

C. WHEN MATED WITH COMPONENT CONNECTOR INTERFACE AND/OR DRESS COVER, HARNESS CONNECTOR SYSTEM CONFORMS TO THE FOLLOWING:

1. SAE/USCAR-2, REV: 3 APRIL, 2001; CLASS 3
2. FIELD CORRELATED LIFE TEST, SAE/USCAR-20, NOV. 2001
3. GMW #3191 AUGUST 22, 2000 (DRAFT); TEMPERATURE CLASS 3, SEALING CLASS 1, VIBRATION CLASS 2
4. RESTRICTED AND REPORTABLE CHEMICALS PER GMW #3059, REV: D AUGUST 2002
5. TPA USER FORCES (FULLY POPULATED WITH TERMINALS)
 - a. REMOVAL FROM LOCK TO PRE-SET: <=120N

D. WIRE SPECIFICATIONS:

1. WIRE SURFACE MUST BE FREE OF SCRATCHES, GROOVES OR DENTS WHERE FUNCTIONAL

5. TERMINAL CURRENT RATINGS:

A. MX64 RCPT TERM

ALL TESTING DONE IN ACCORDANCE WITH USCAR-2 REV5 SECTION 5.3

1. MX64 RCPT TERM Ag 0.50/0.75mm² CRIMPED TO 0.75mm² ISO WIRE AND MATED TO MX123 0.64MM PIN: SEE TABLE BELOW
2. MX64 RCPT TERM Ag 0.35mm² CRIMPED TO 0.35mm² ISO WIRE AND MATED TO MX123 0.64MM PIN: SEE TABLE BELOW

WIRE	CURRENT RATING			
	23°C	85°C	105°C	125°C
0.75mm ²	11.3A	11.3A	9.5A	6.6A
0.50mm ²	10.0A	10.0A	8.3A	5.7A
0.35mm ²	8.5A	8.5A	7.1A	5.0A

B. 2.8MM RCPT TERM

ALL TESTING DONE IN ACCORDANCE WITH MOLEX DVP&R 0279 (TR # 7125)

1. 2.8MM RCPT TERM TIN 2.0mm² CRIMPED TO 2.0mm² ISO WIRE AND MATED TO MX123 2.8MM BLADE: 25.6 AMPS AT 125°C

6. CONTACT MOLEX AUTOMOTIVE FOR AVAILABLE CUSTOM PATTERNS OF CAVITIES OPEN FOR CIRCUITS - SEE GM DRAWING 13507496



PAGE TITLE
NOTES

DRAWING NUMBER

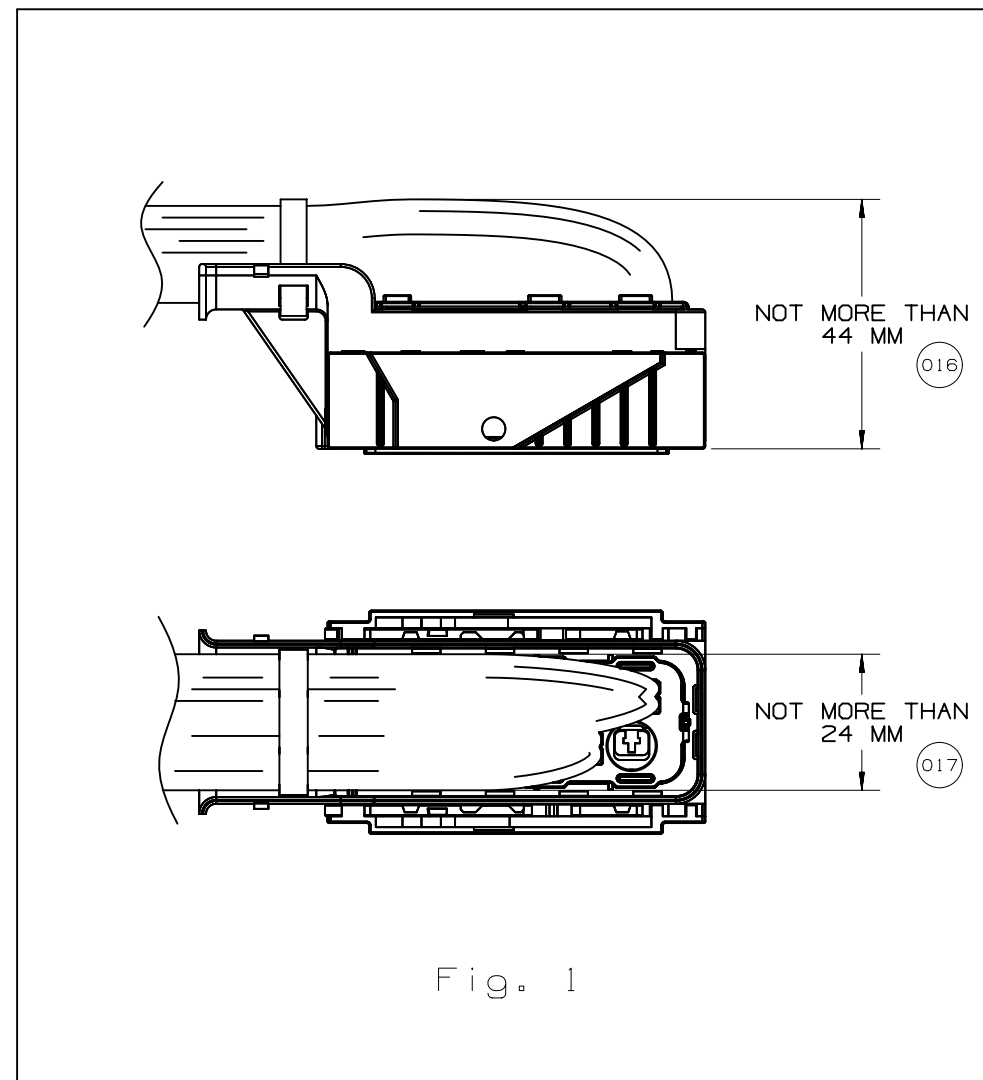
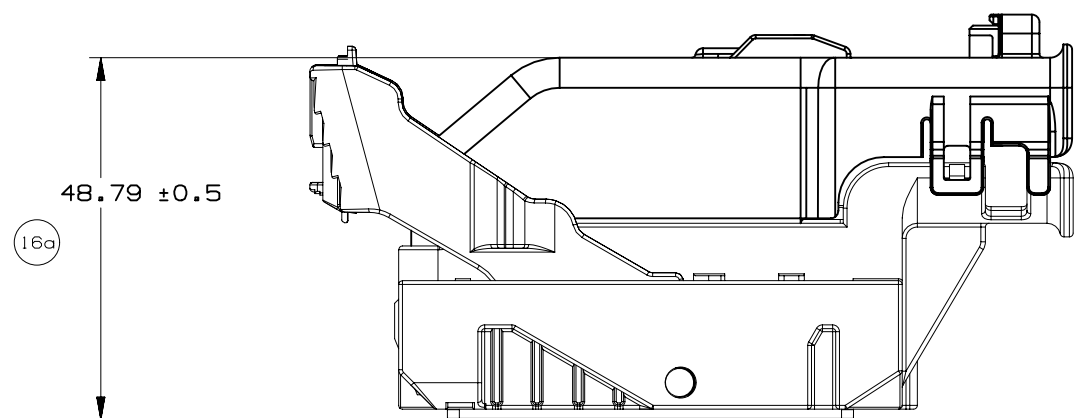
12672833

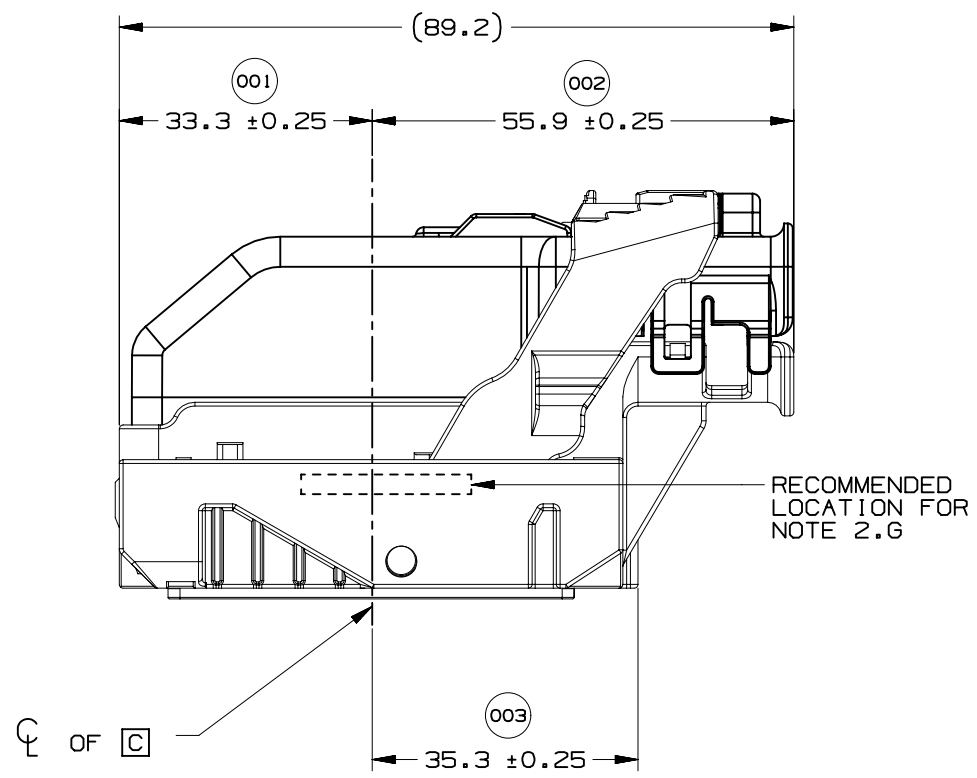
DWG STATUS

ST	REV	PDI
R	001	

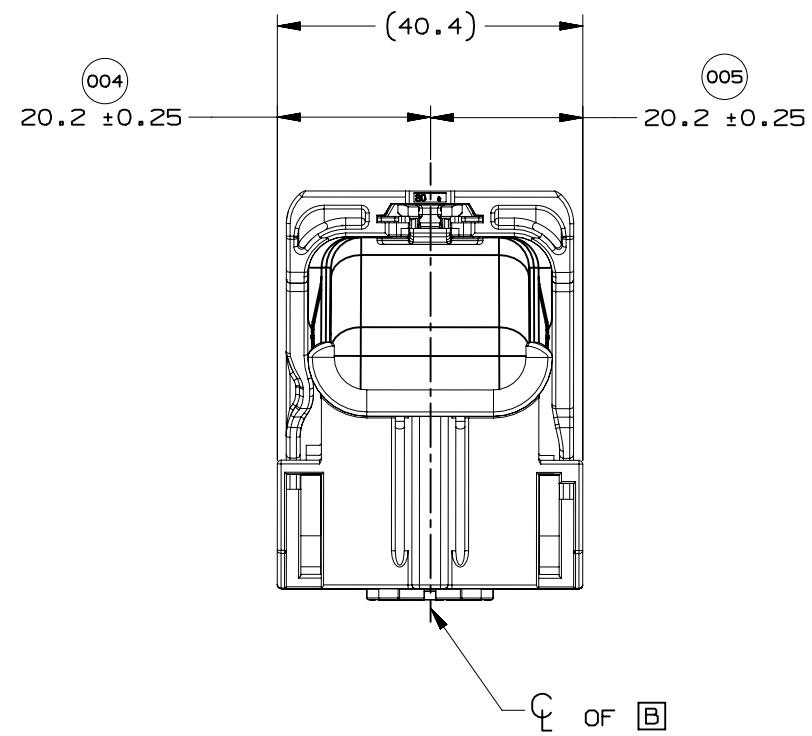
PAGE NUMBER

7 OF 22

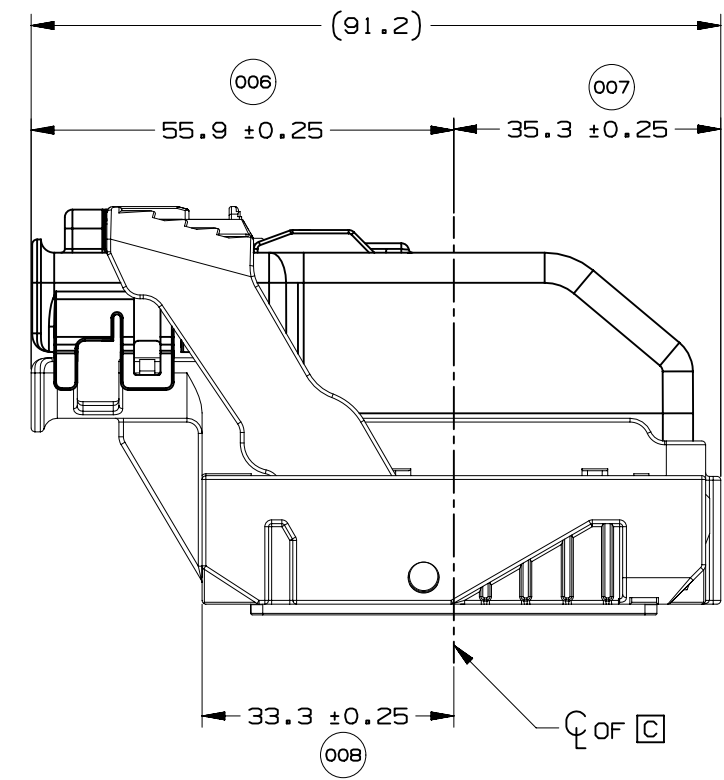




WIRE DRESS OPTION 0 SHOWN

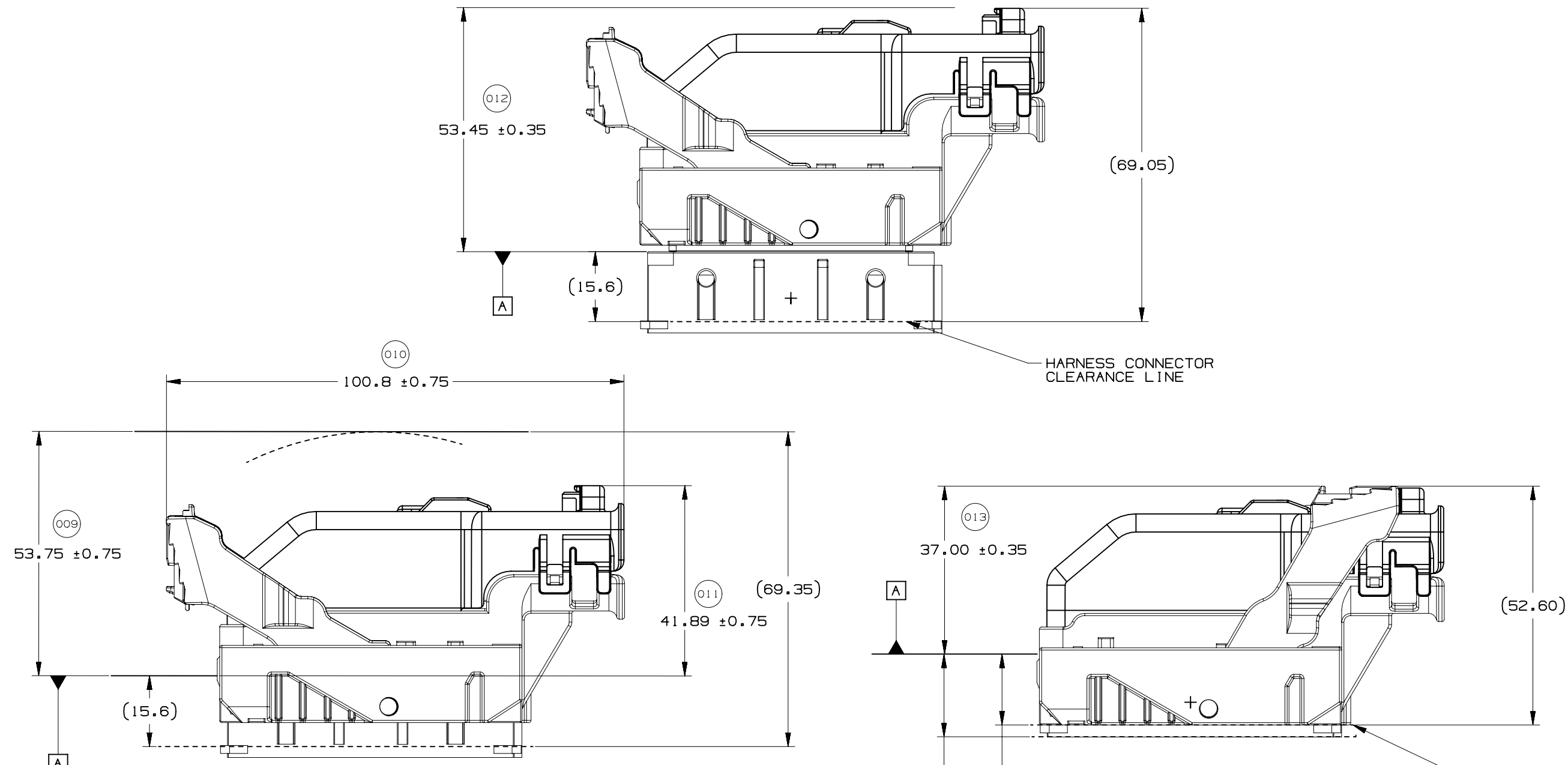


WIRE DRESS OPTION 0 SHOWN



WIRE DRESS OPTION 9 SHOWN





HARNESS CONNECTOR CLEARANCE LINE

HARNESS CONNECTOR ASSEMBLY IN FULLY-MATED POSITION

HARNESS CONNECTOR CLEARANCE LINE

15.6 MIN. ALL AROUND CLEARANCE REQUIRED FOR HARNESS CONNECTOR (014)

17.9 MIN. AT PAD LOCATION CLEARANCE REQUIRED FOR HARNESS CONNECTOR CONSTRUCTION BELOW THIS PLANE IS NOT CONTROLLED (015)

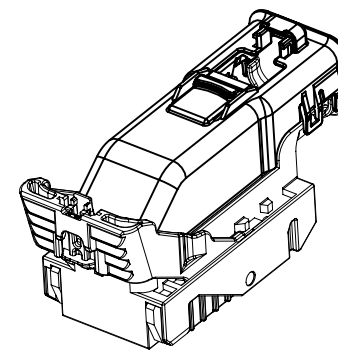
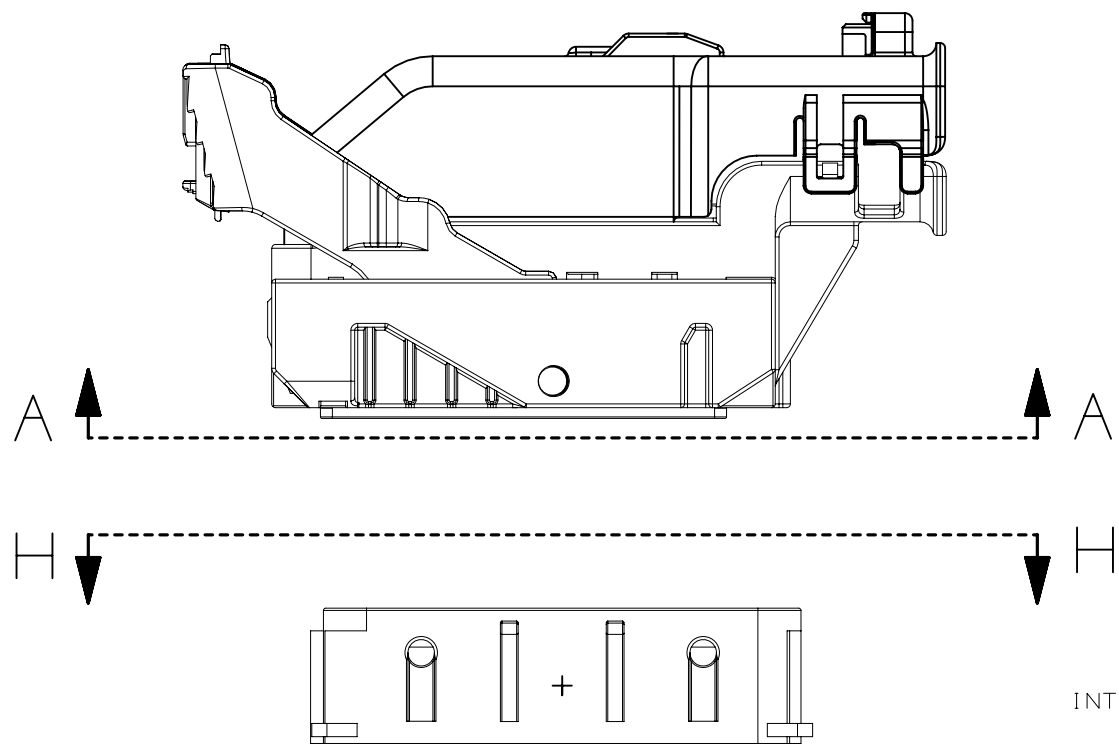


PAGE TITLE
LOCATION AND PACKAGING DIMENSIONS
REFERENCING INTERFACE DATUM A

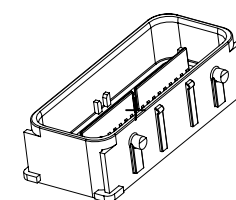
DRAWING NUMBER
12672833

DWG STATUS		
ST	REV	PD1
R	001	

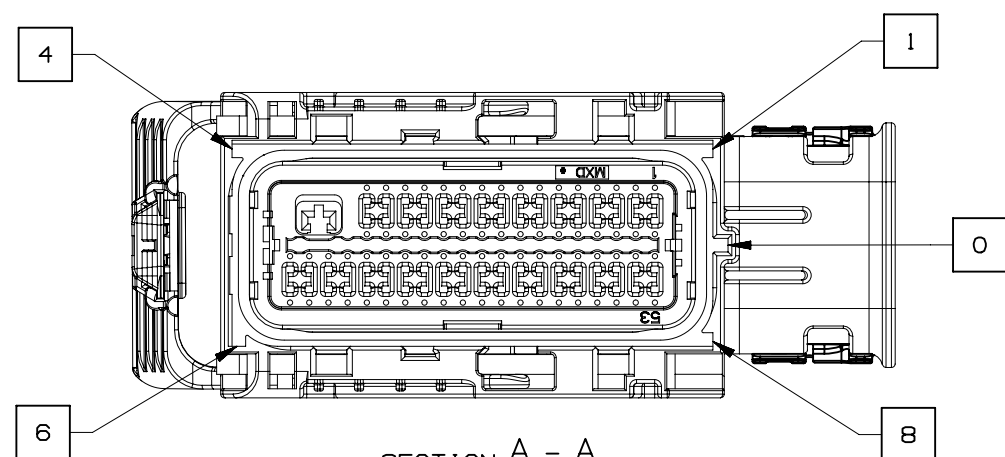
PAGE NUMBER
10 OF 22



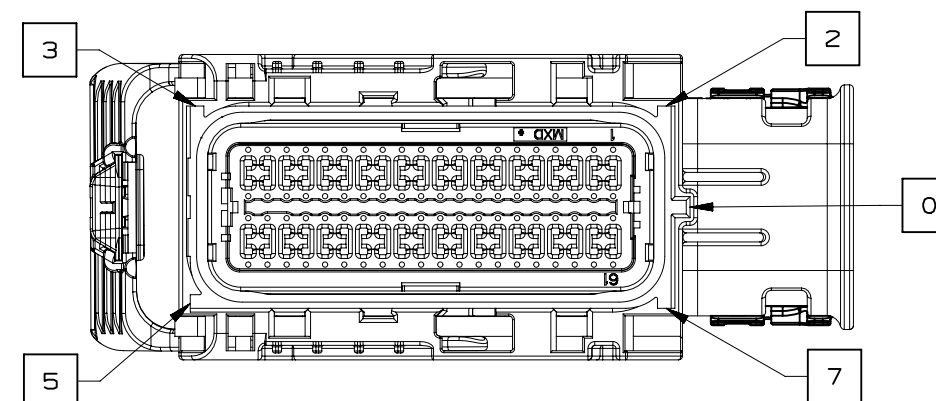
NOTE: REFERENCE THE COMPONENT TABLE FOR KEY OPTIONS AND CONFIGURATIONS



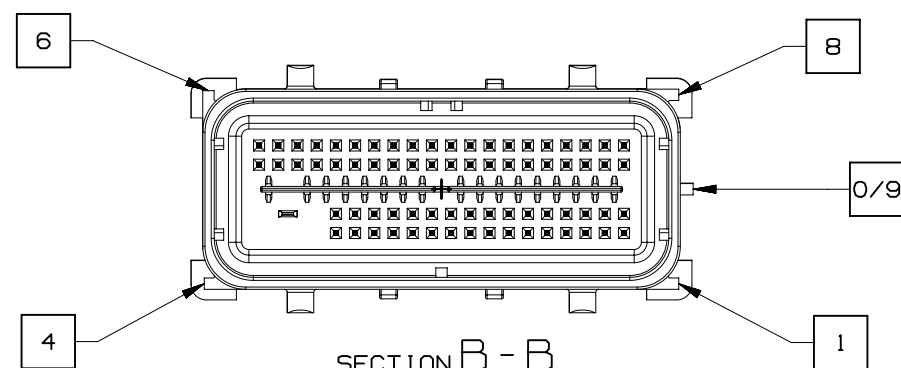
INTERFACE SIDE SHOWN ON ALL SECTION VIEWS



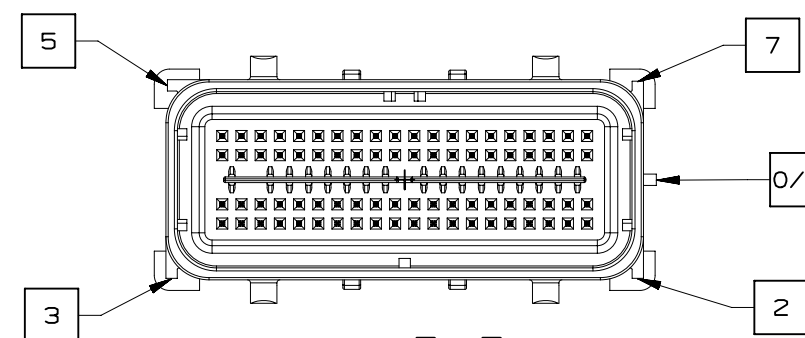
SECTION A - A
73 CKT HARNESS CONNECTOR ASSEMBLY
KEY OPTION B SHOWN



SECTION A - A
80 CKT HARNESS CONNECTOR ASSEMBLY
KEY OPTION K SHOWN



SECTION B - B
73 CKT HARNESS CONNECTOR ASSEMBLY
KEY OPTION B SHOWN



SECTION B - B
80 CKT HARNESS CONNECTOR ASSEMBLY
KEY OPTION K SHOWN

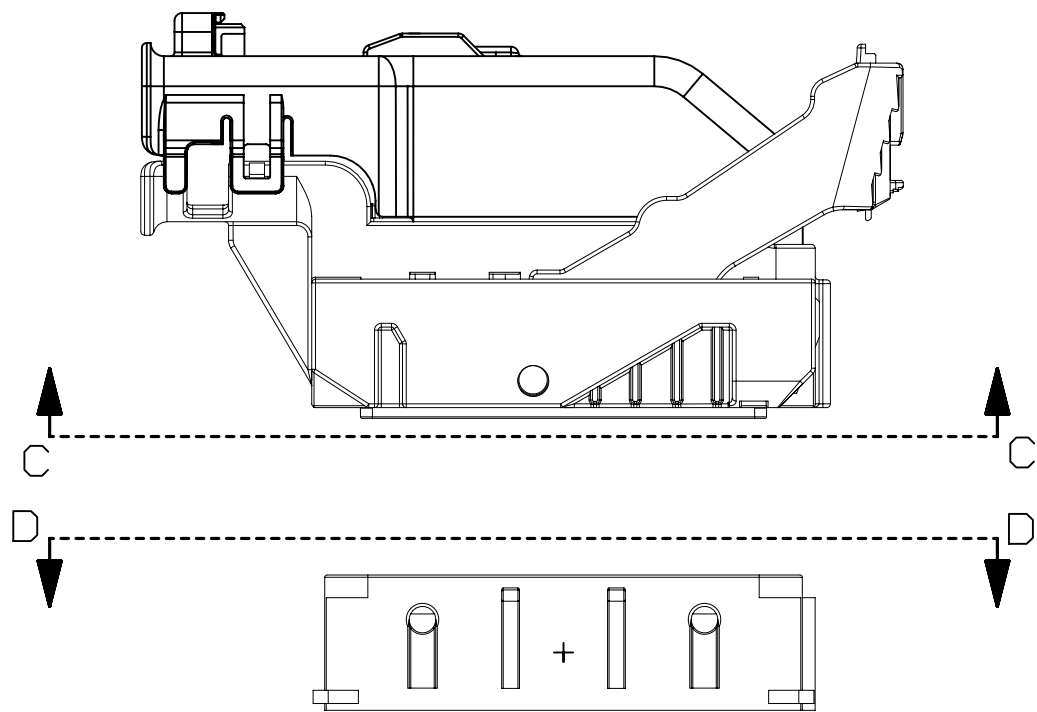


PAGE TITLE
KEY ID REF - WIRE DRESS OPTION 0

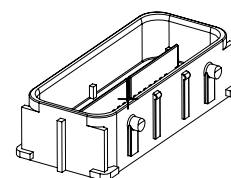
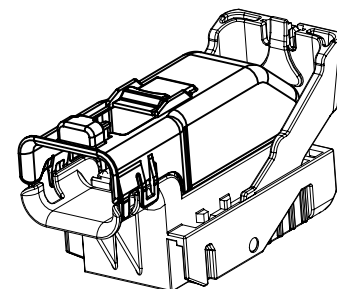
DRAWING NUMBER
12672833

DWG STATUS		
ST	REV	PD1
R	001	

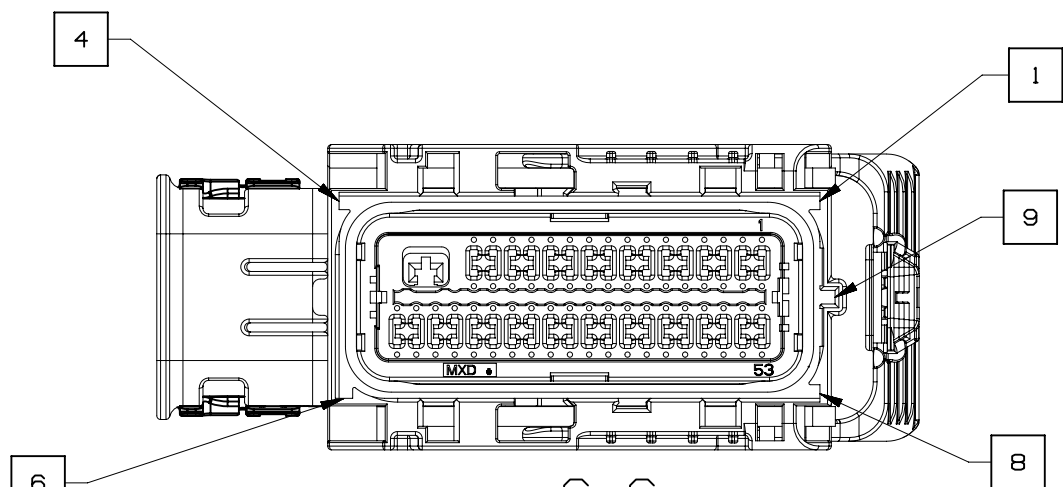
PAGE NUMBER
11 OF 22



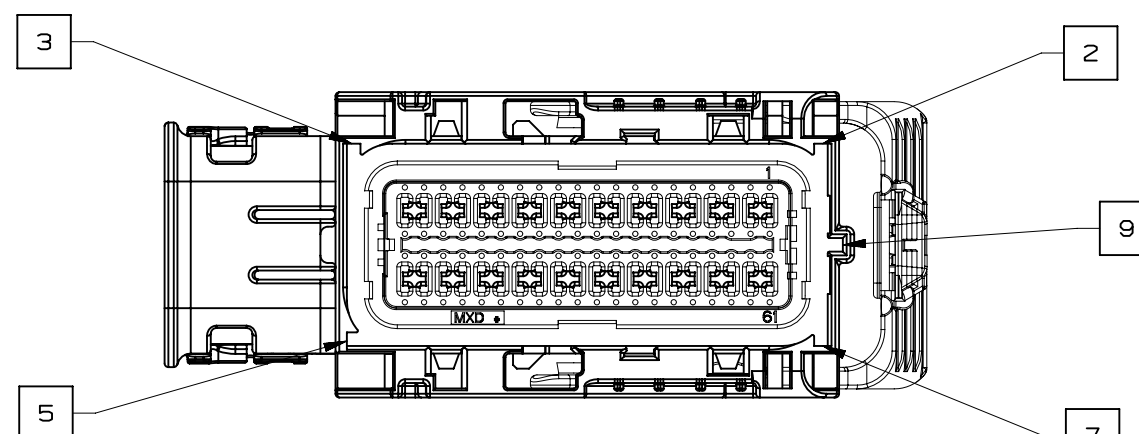
INTERFACE SIDE SHOWN ON ALL SECTION VIEWS



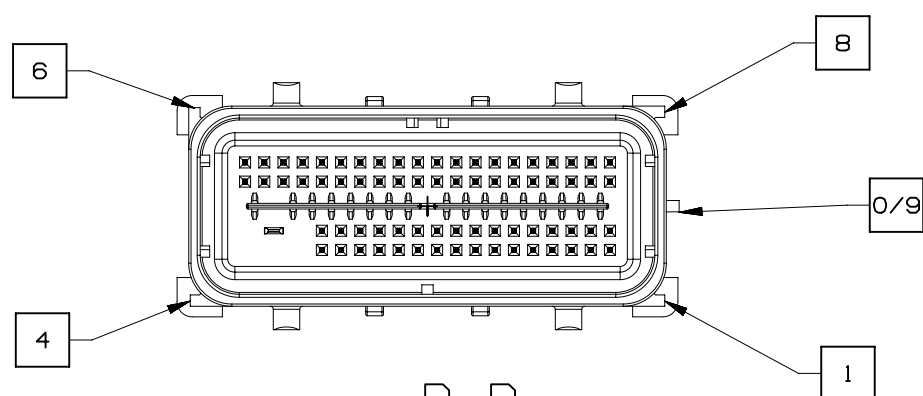
NOTE: REFERENCE THE COMPONENT TABLE FOR KEY OPTIONS AND CONFIGURATIONS



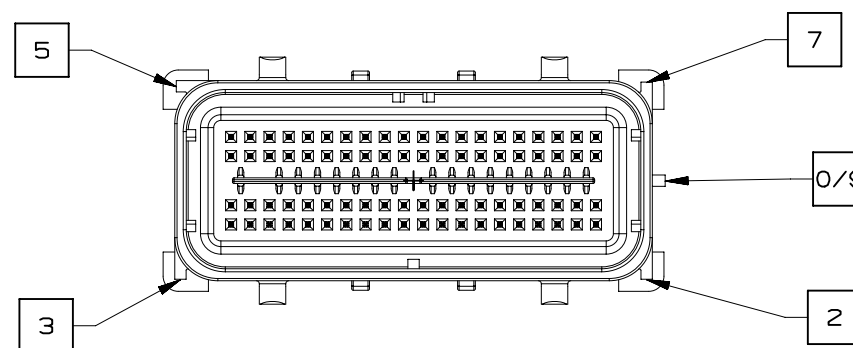
SECTION C - C
73 CKT HARNESS CONNECTOR ASSEMBLY
KEY OPTION B SHOWN



SECTION C - C
80 CKT HARNESS CONNECTOR ASSEMBLY
KEY OPTION K SHOWN



SECTION D - D
73 CKT HARNESS CONNECTOR ASSEMBLY
KEY OPTION B SHOWN



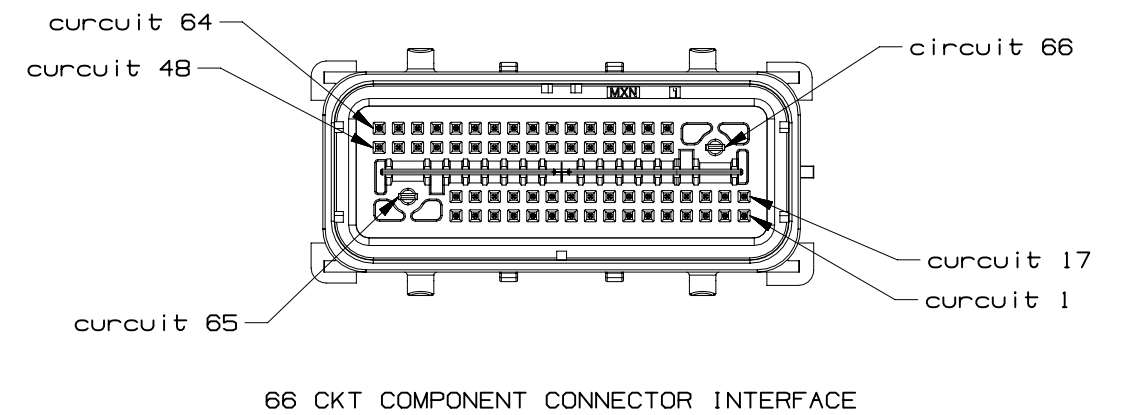
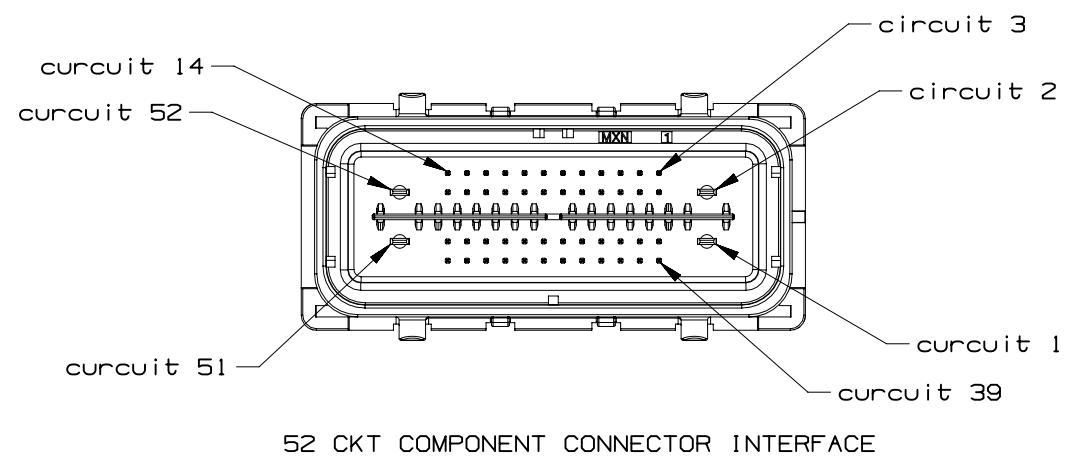
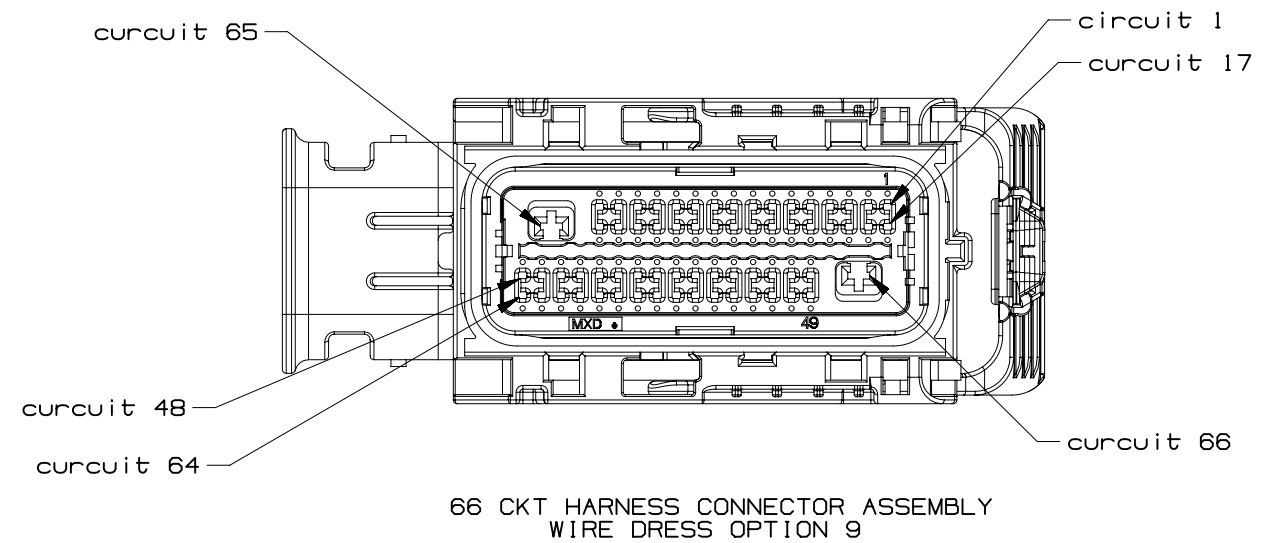
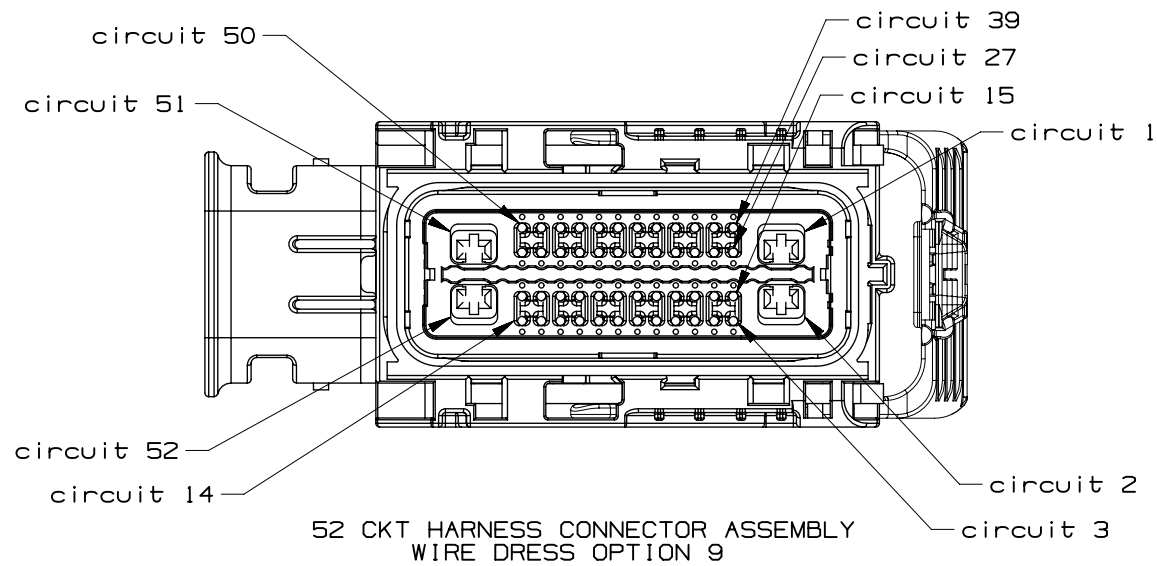
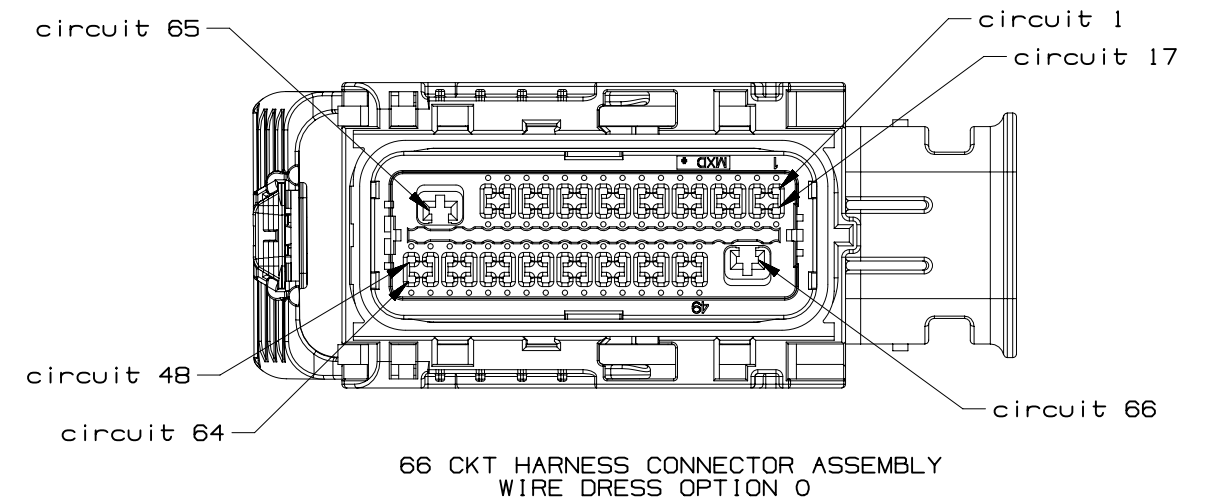
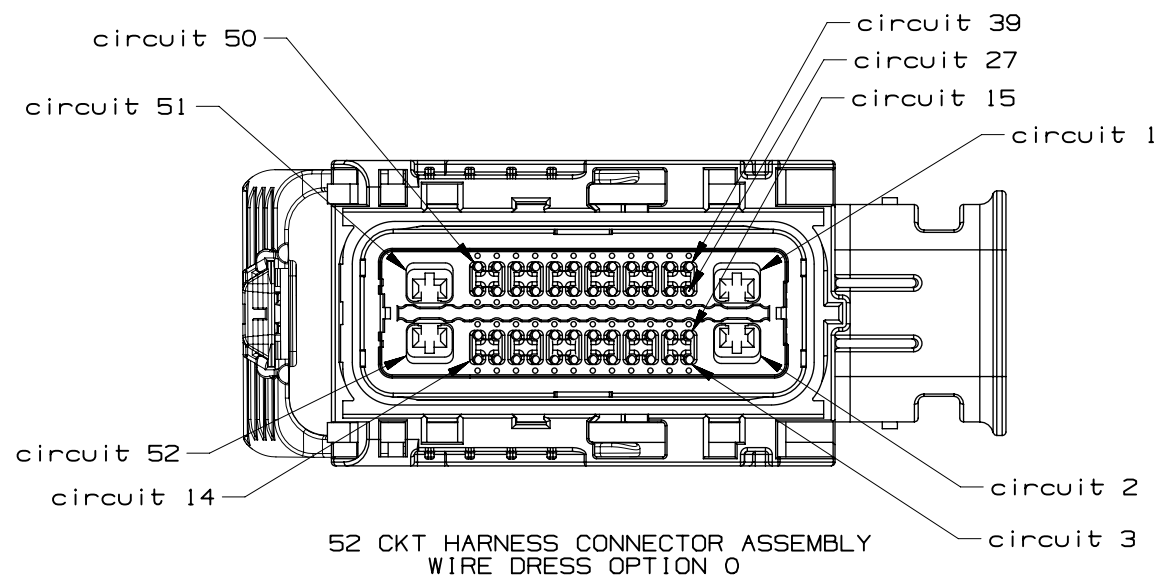
SECTION D - D
80 CKT HARNESS CONNECTOR ASSEMBLY
KEY OPTION K SHOWN

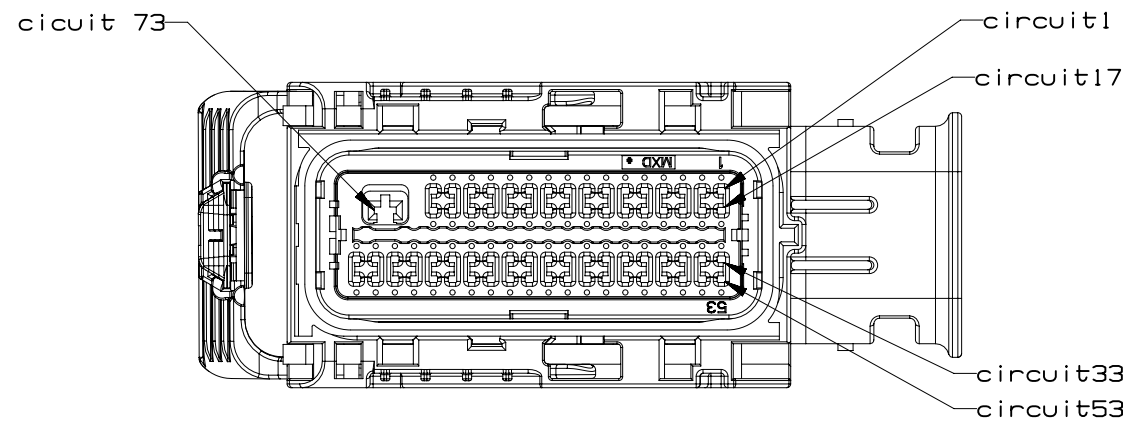


PAGE TITLE
KEY ID REF - WIRE DRESS OPTION 9

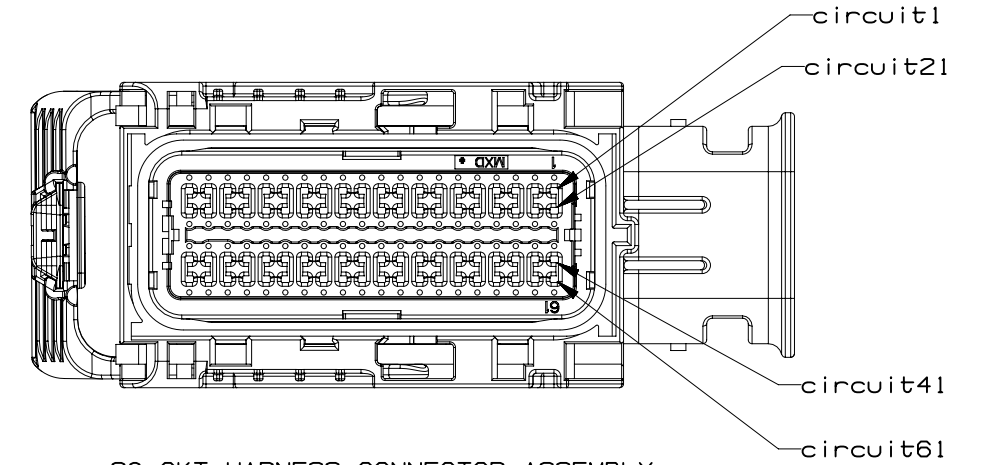
DRAWING NUMBER
12672833

DWG STATUS			PAGE NUMBER
ST	REV	PD1	
R	001		12 OF 22



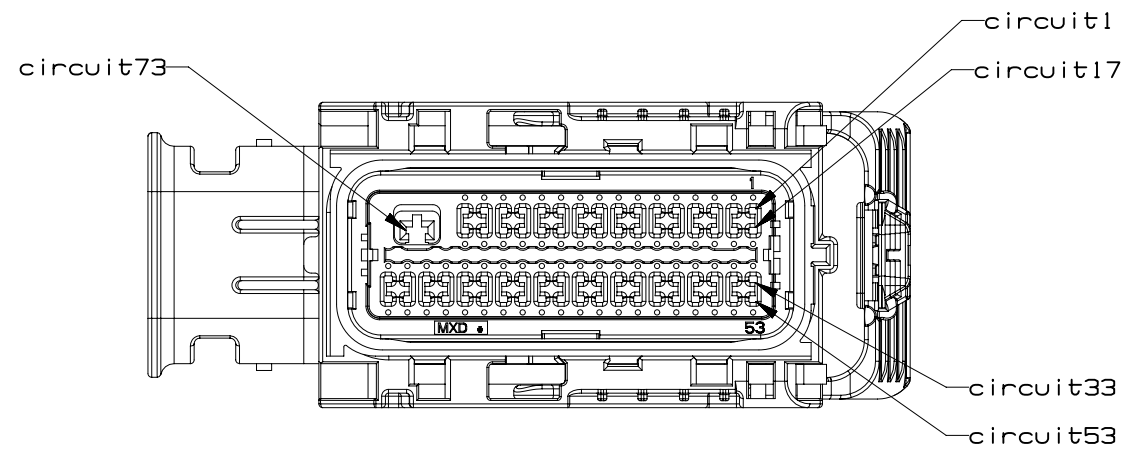


73 CKT HARNESS CONNECTOR ASSEMBLY
WIRE DRESS OPTION 0

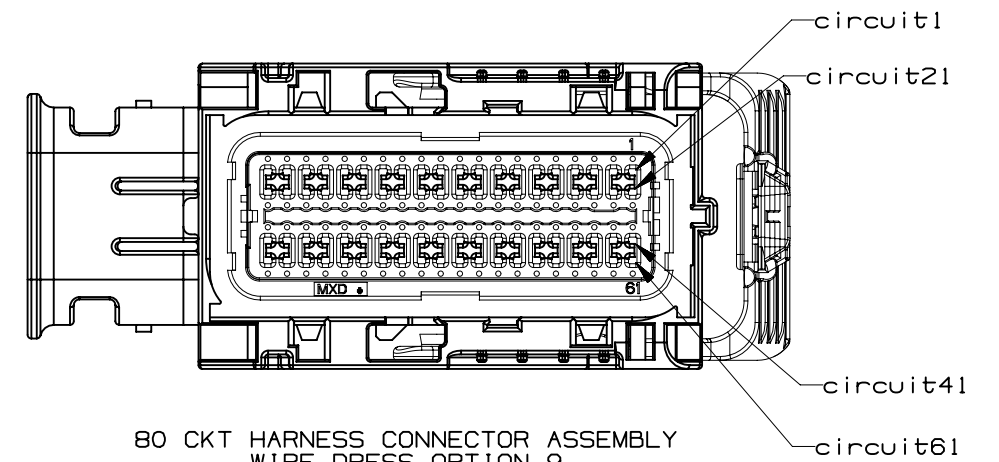


80 CKT HARNESS CONNECTOR ASSEMBLY
WIRE DRESS OPTION 0

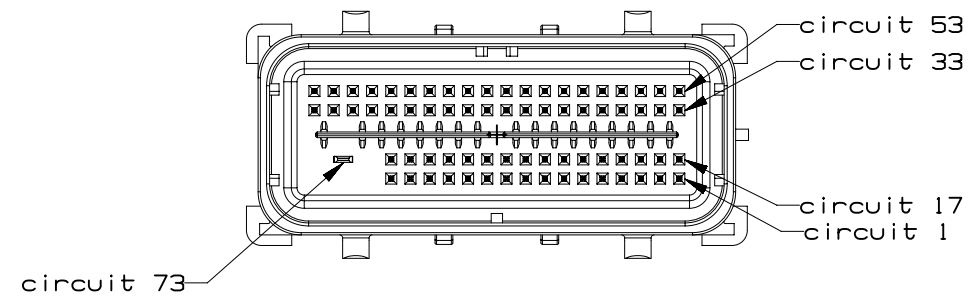
INTERFACE SIDE SHOWN ON ALL VIEWS



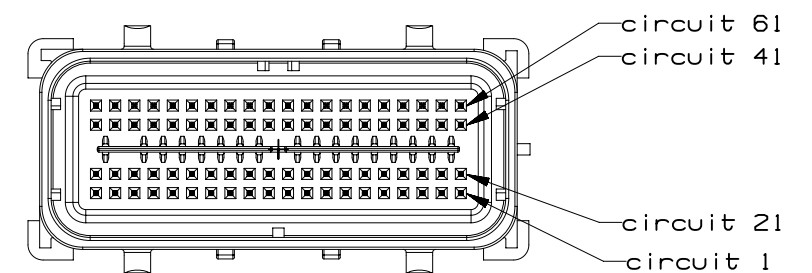
73 CKT HARNESS CONNECTOR ASSEMBLY
WIRE DRESS OPTION 9



80 CKT HARNESS CONNECTOR ASSEMBLY
WIRE DRESS OPTION 9

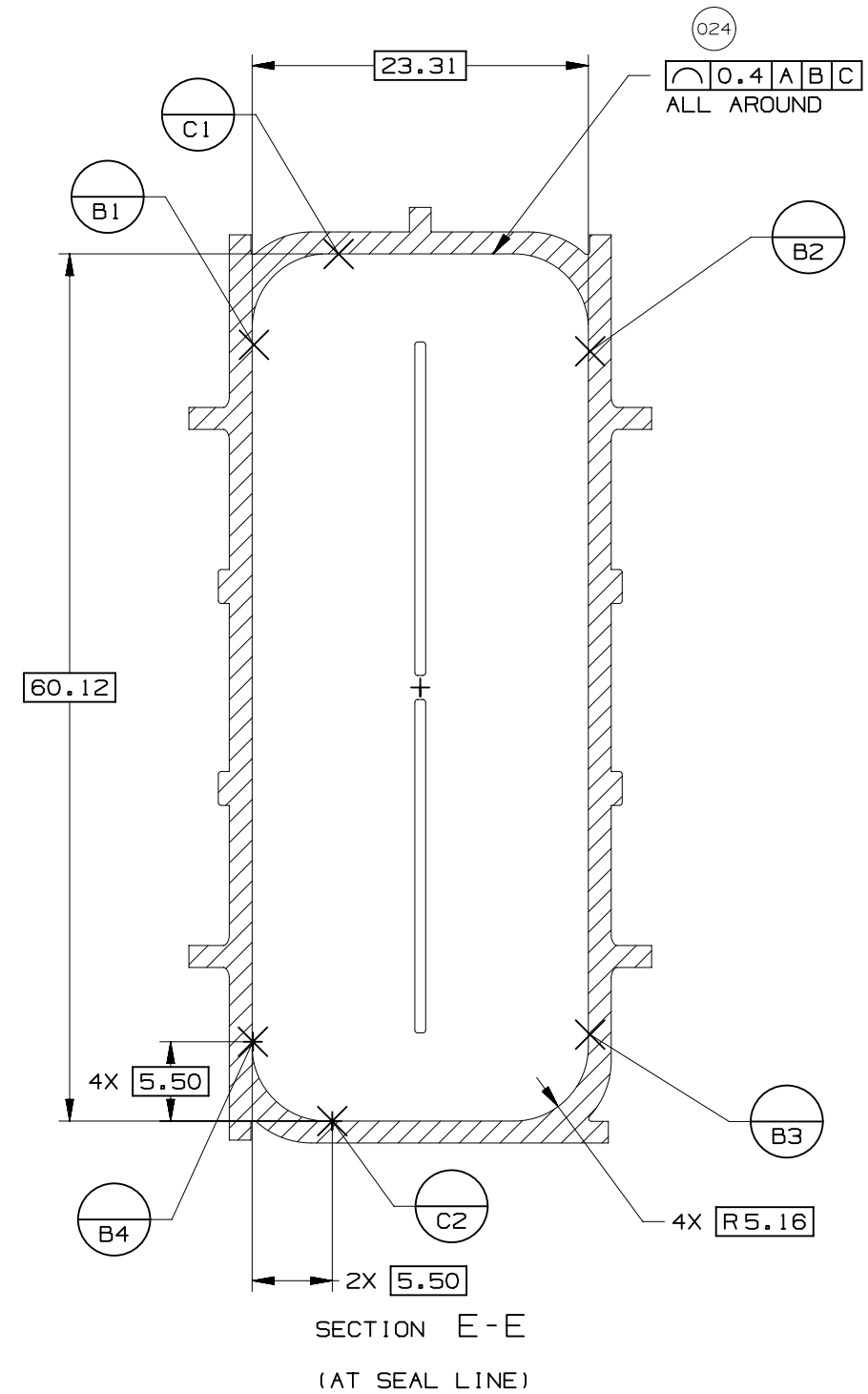
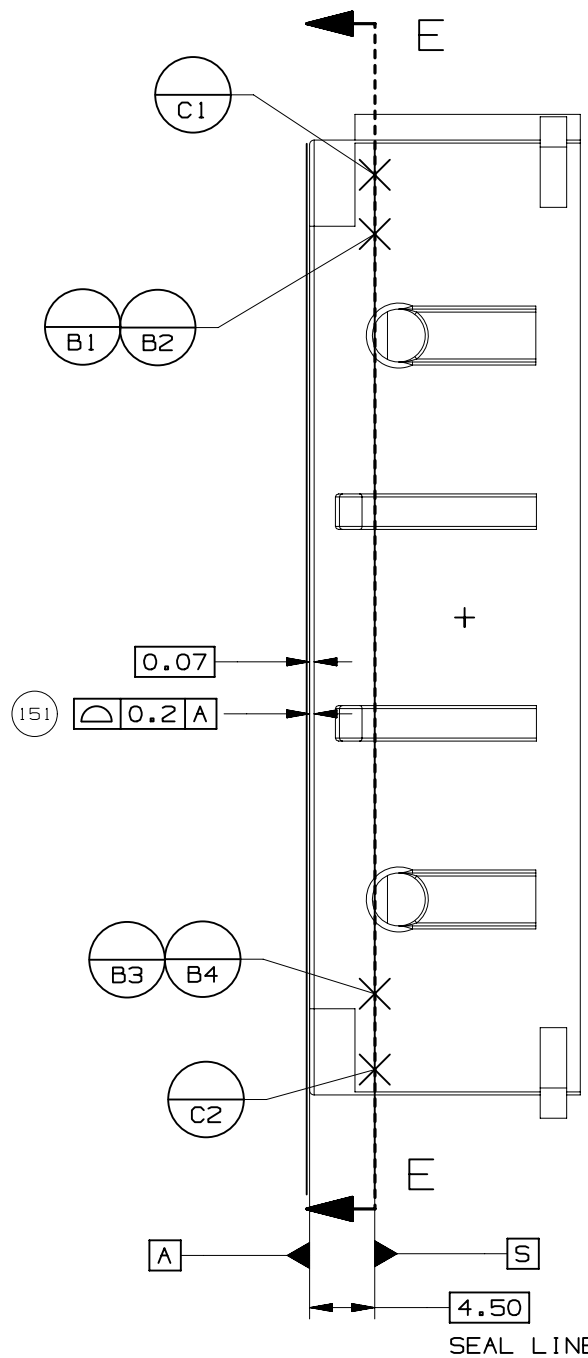
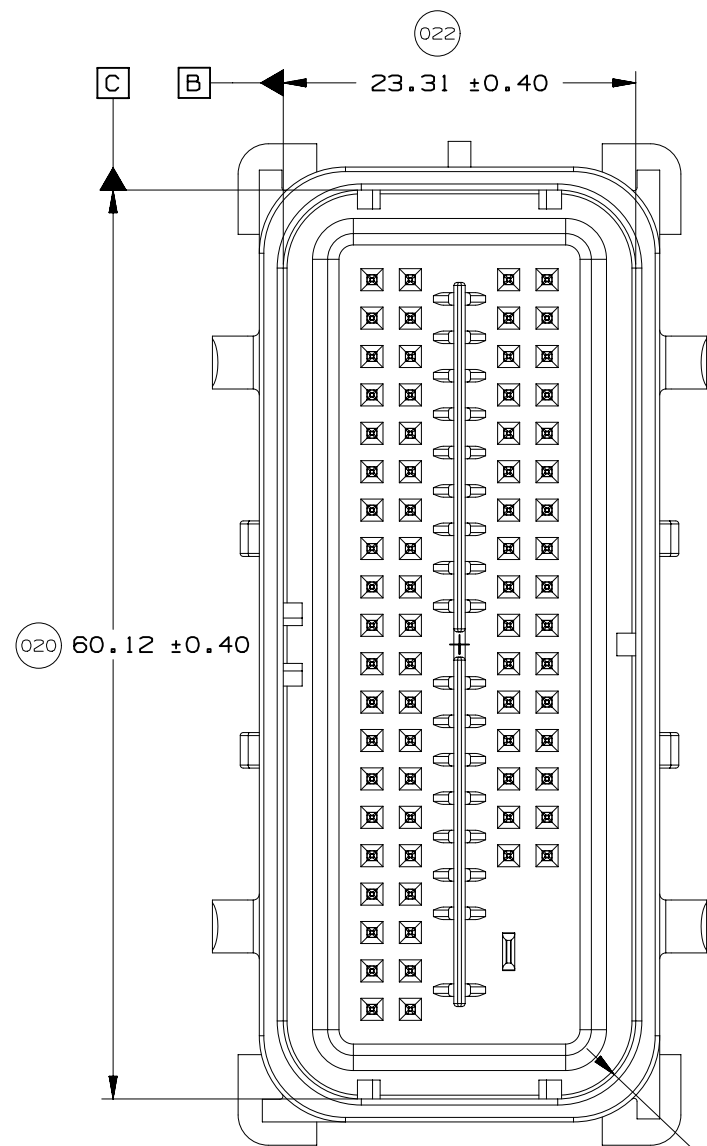
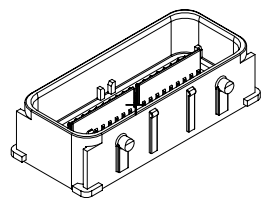


73 CKT COMPONENT CONNECTOR INTERFACE



80 CKT COMPONENT CONNECTOR INTERFACE





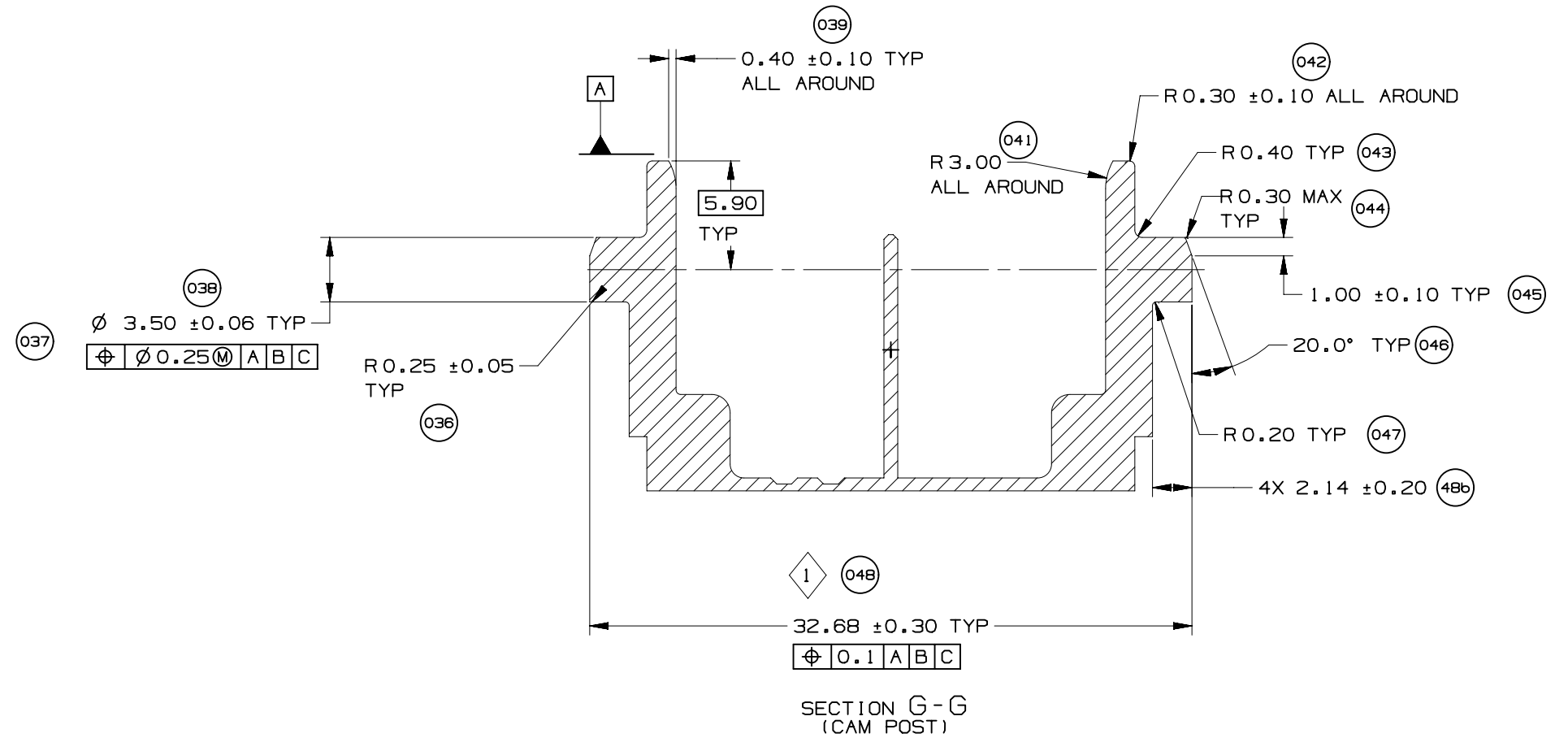
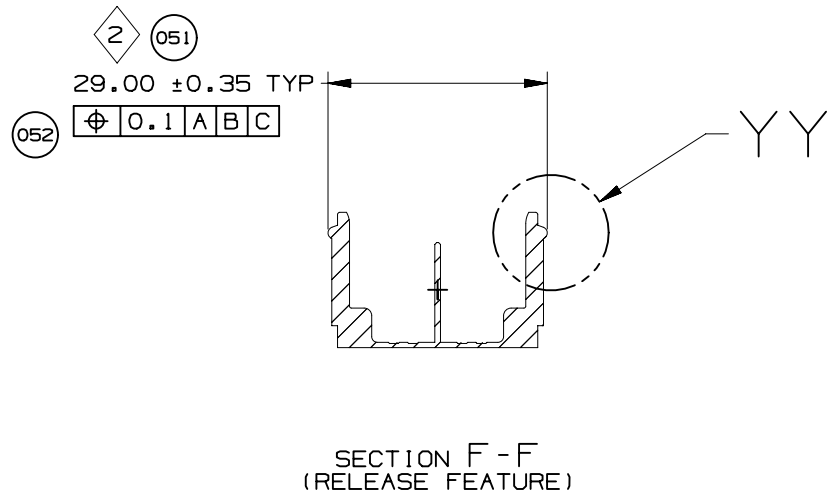
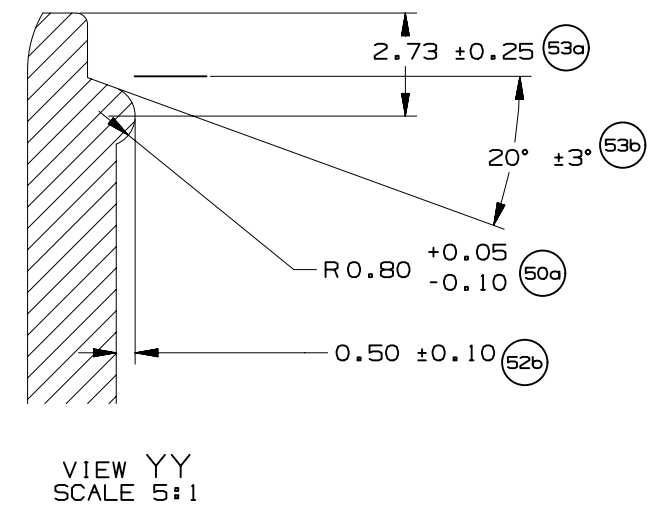
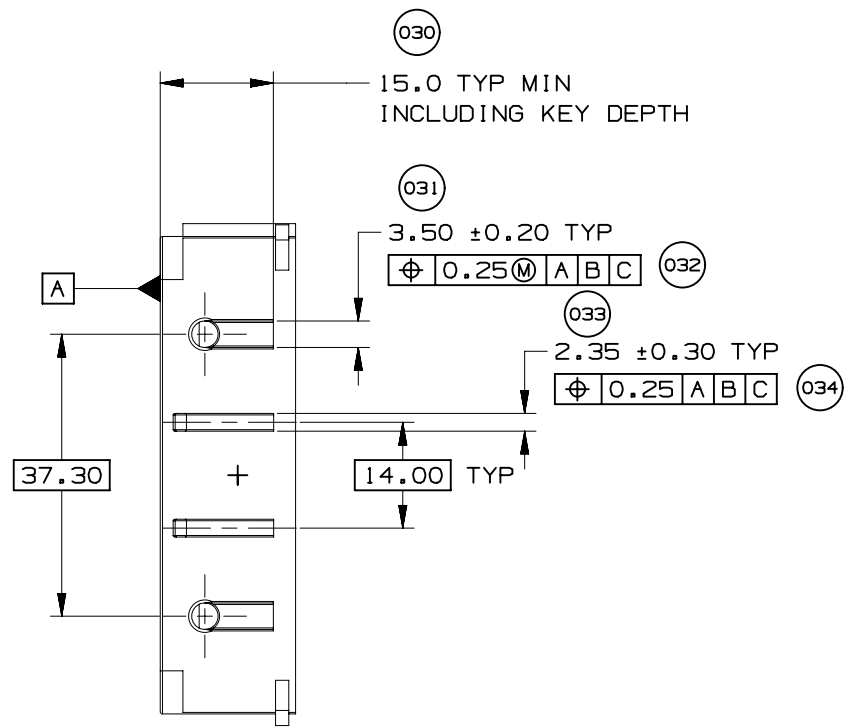
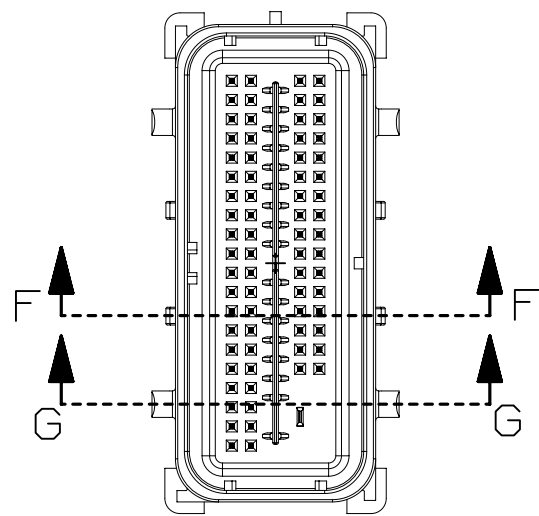
UNLESS SPECIFIED, TOLERANCE OF THE COMPONENT CONNECTOR INTERFACE TO BE $\sqrt[0.13]{A B C}$



PAGE TITLE
COMPONENT CONNECTOR INTERFACE

DRAWING NUMBER
12672833

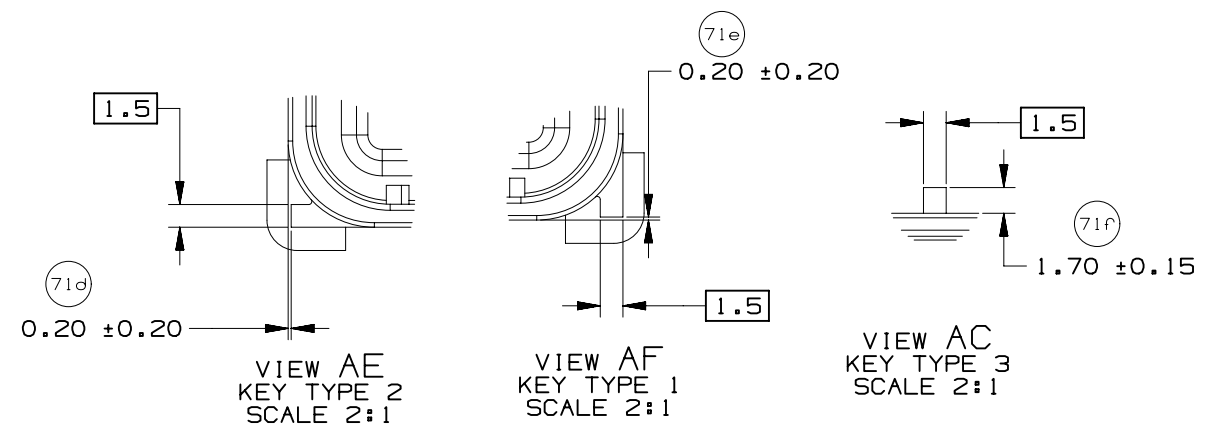
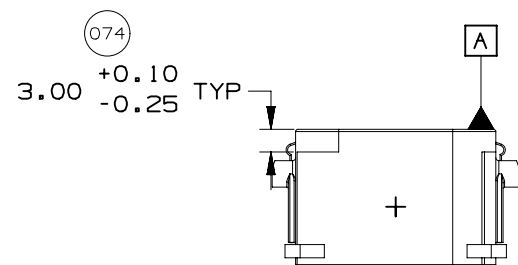
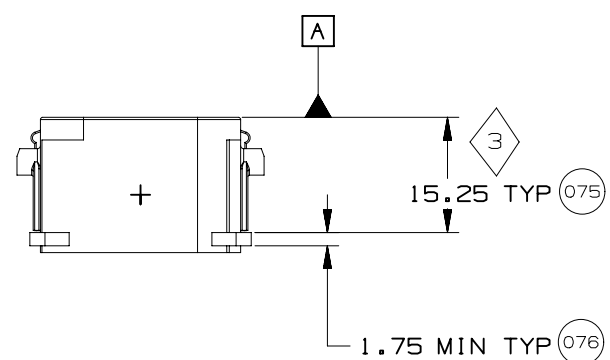
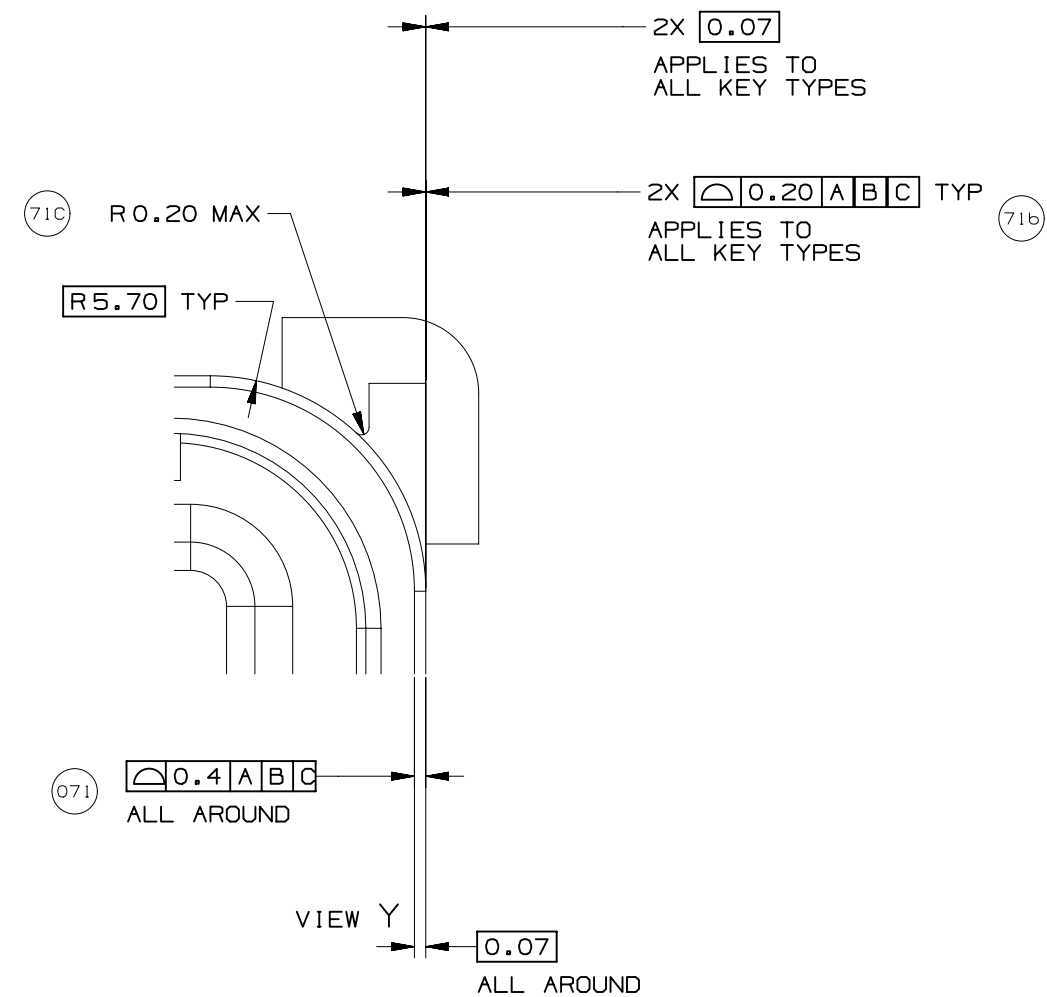
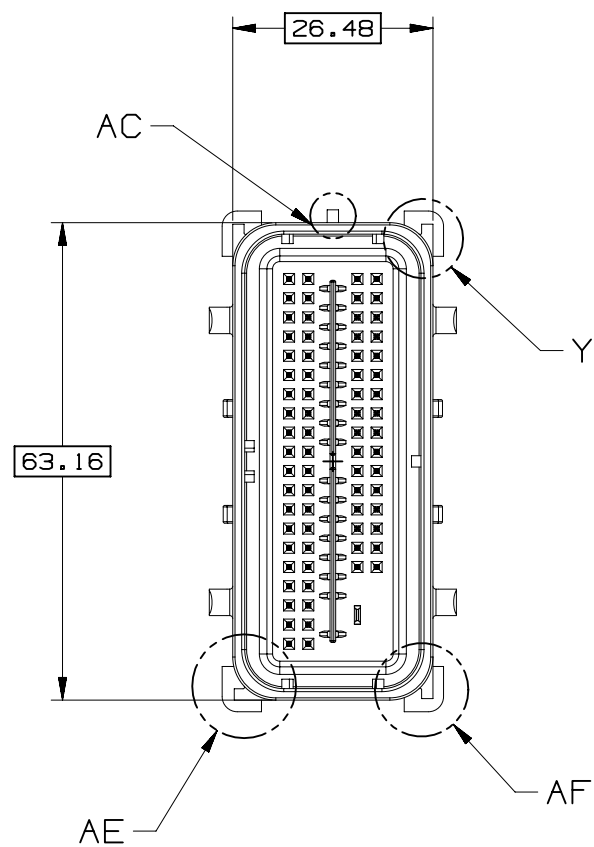
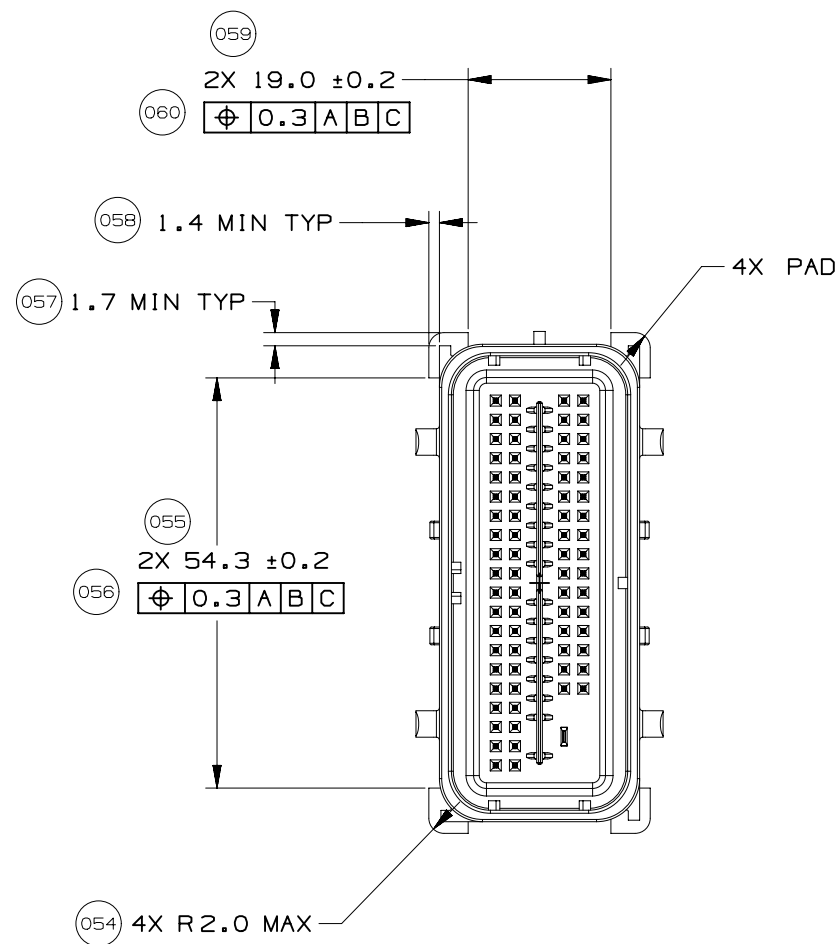
DWG STATUS			PAGE NUMBER
ST	REV	PD1	
R	001		15 OF 22



PAGE TITLE
COMPONENT CONNECTOR INTERFACE

DRAWING NUMBER
12672833

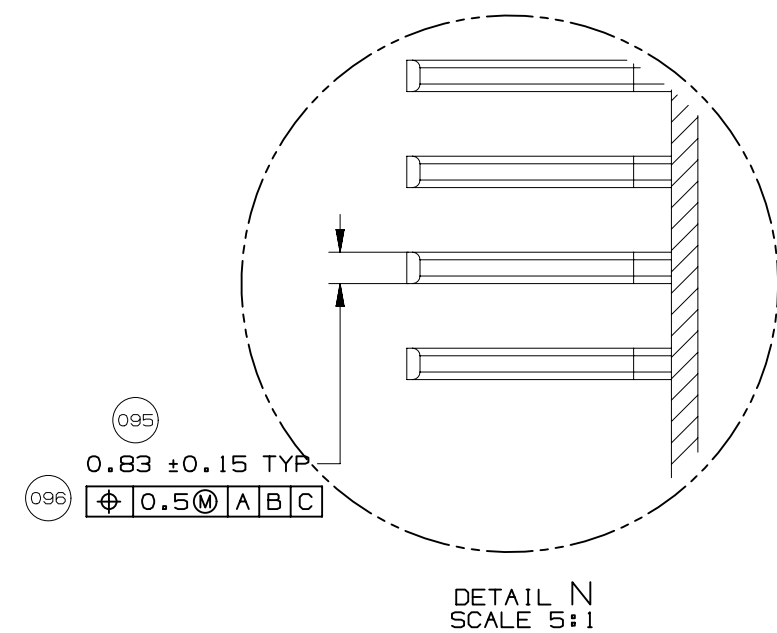
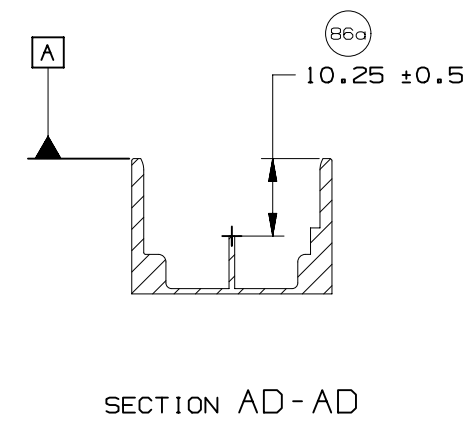
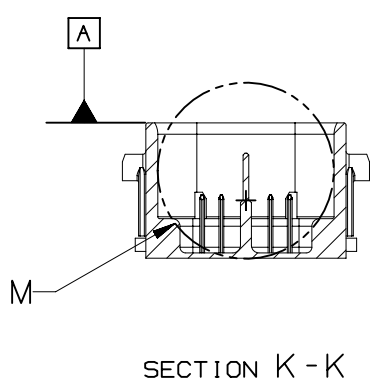
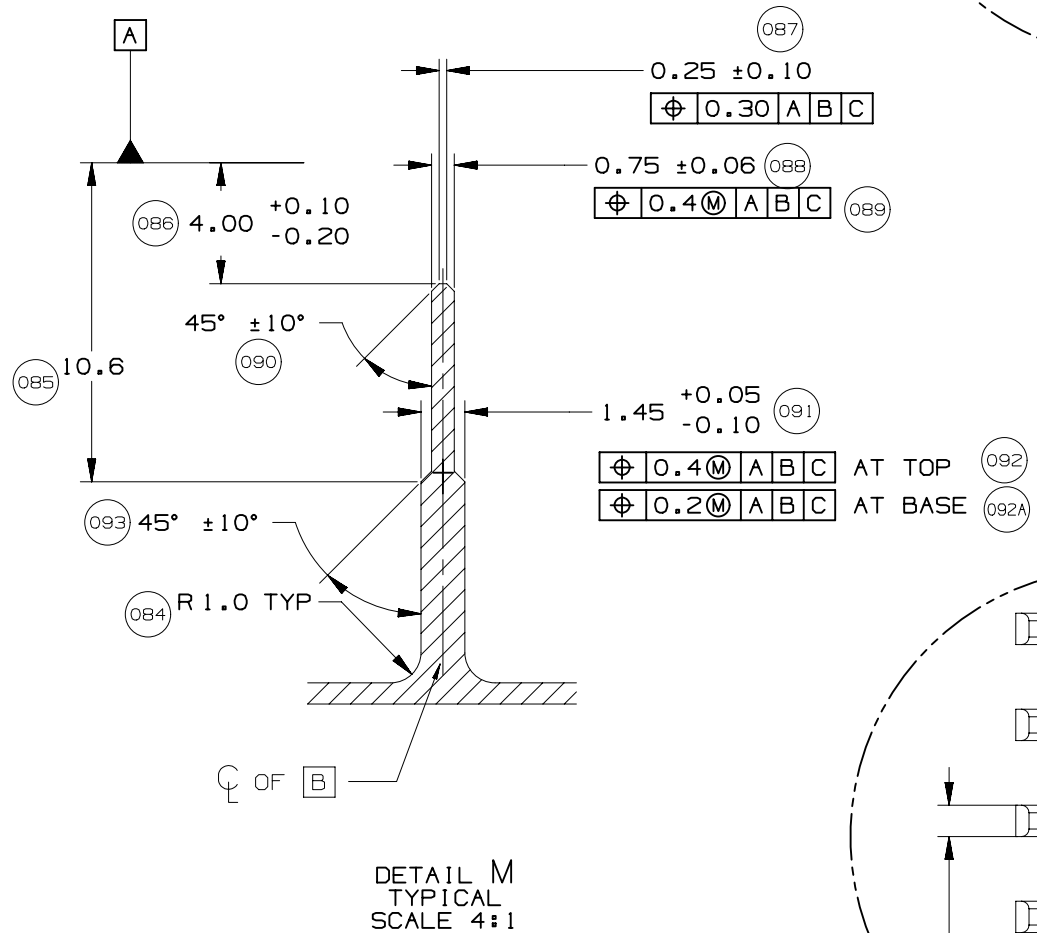
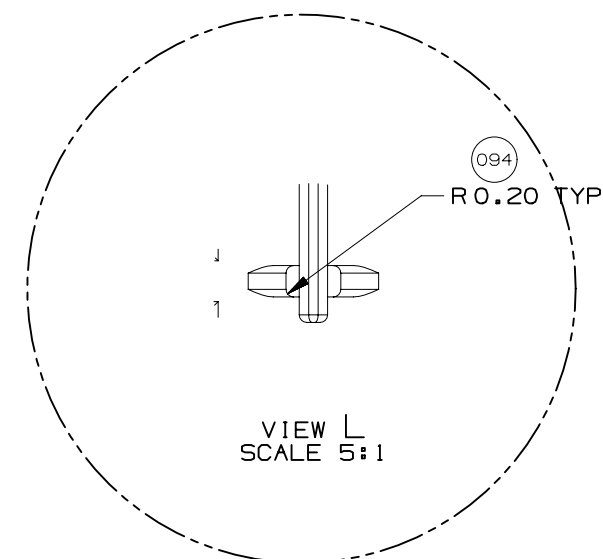
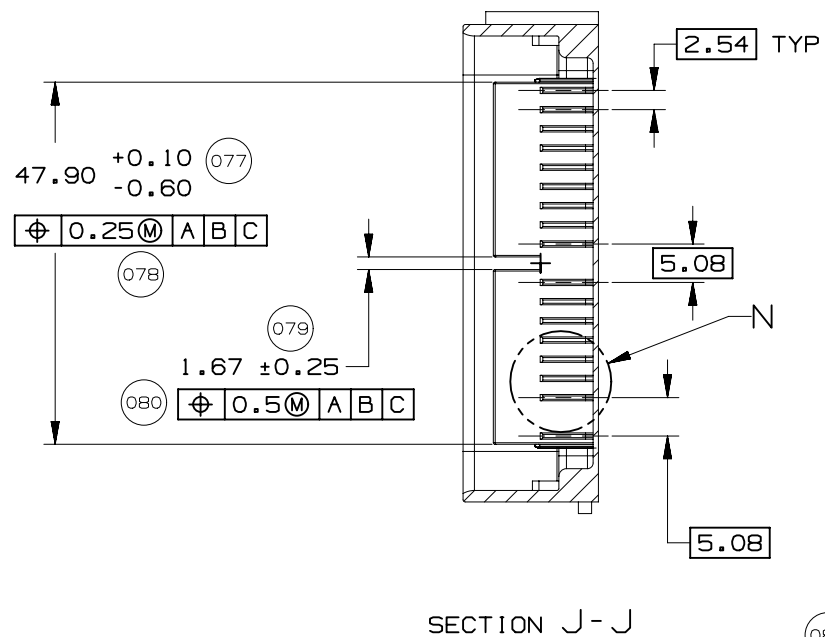
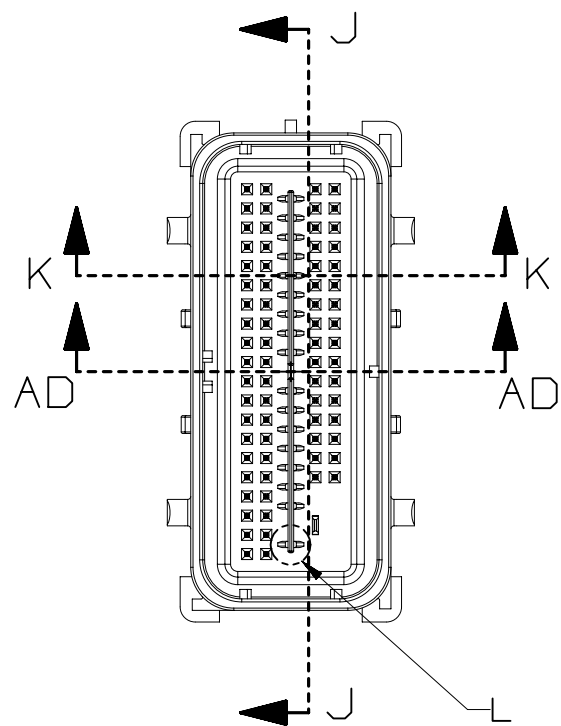
DWG STATUS			PAGE NUMBER
ST	REV	PDI	
R	001		16 OF 22

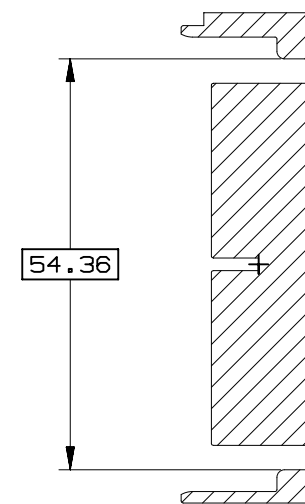
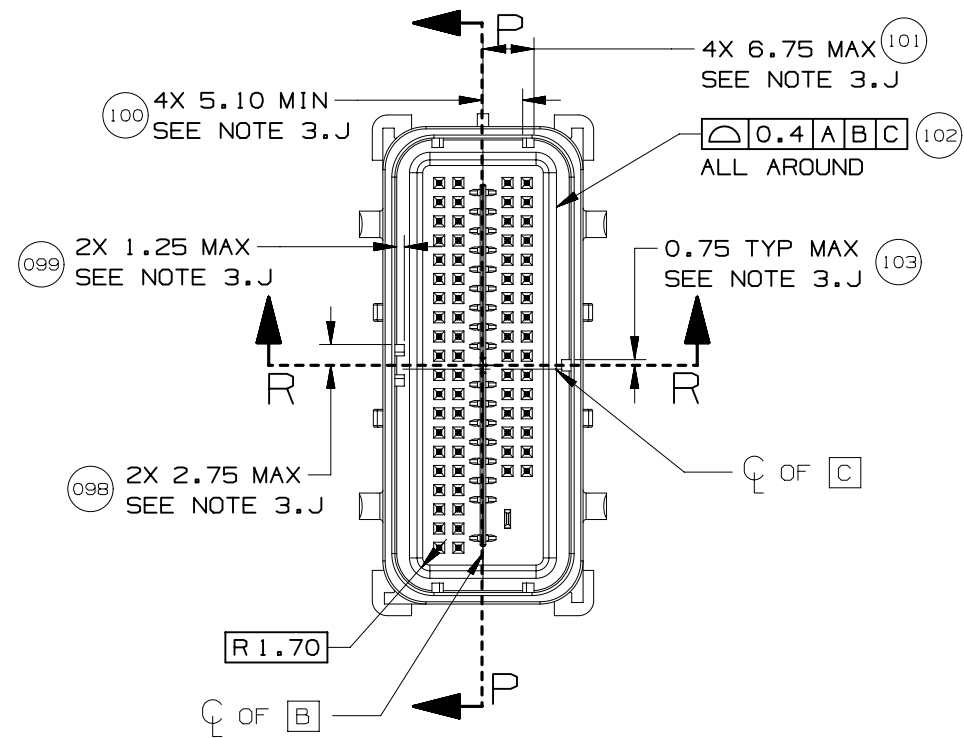


PAGE TITLE
 COMPONENT CONNECTOR INTERFACE

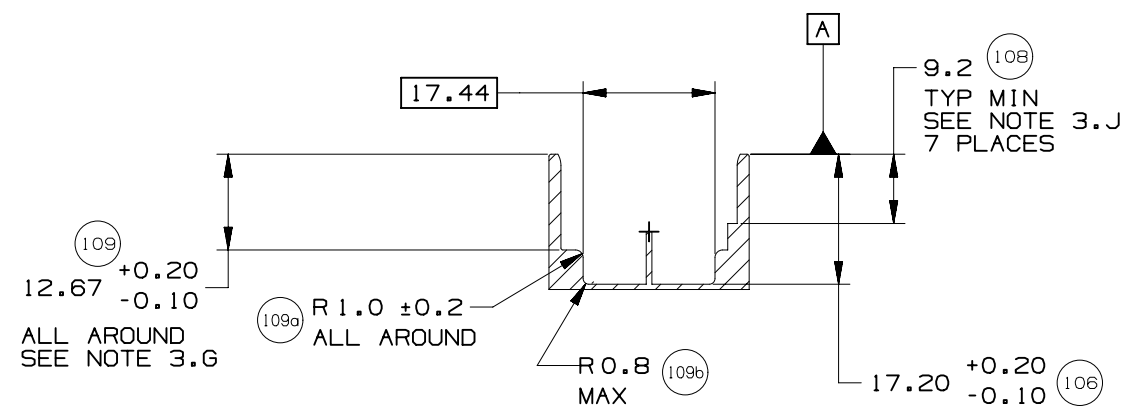
DRAWING NUMBER
 12672833

DWG STATUS			PAGE NUMBER	
ST	REV	PD1	17	OF 22
R	001			





SECTION P-P



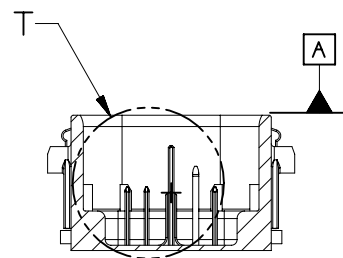
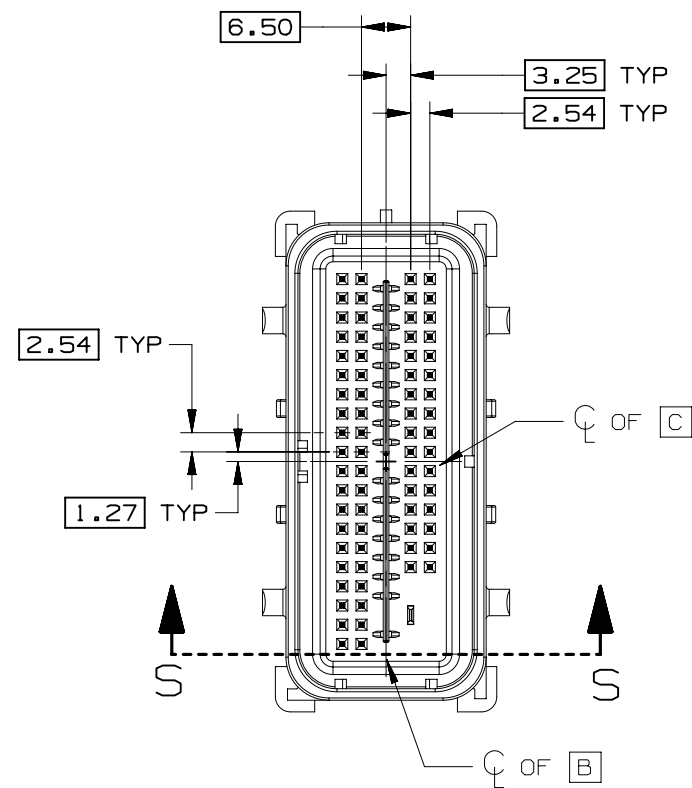
SECTION R-R



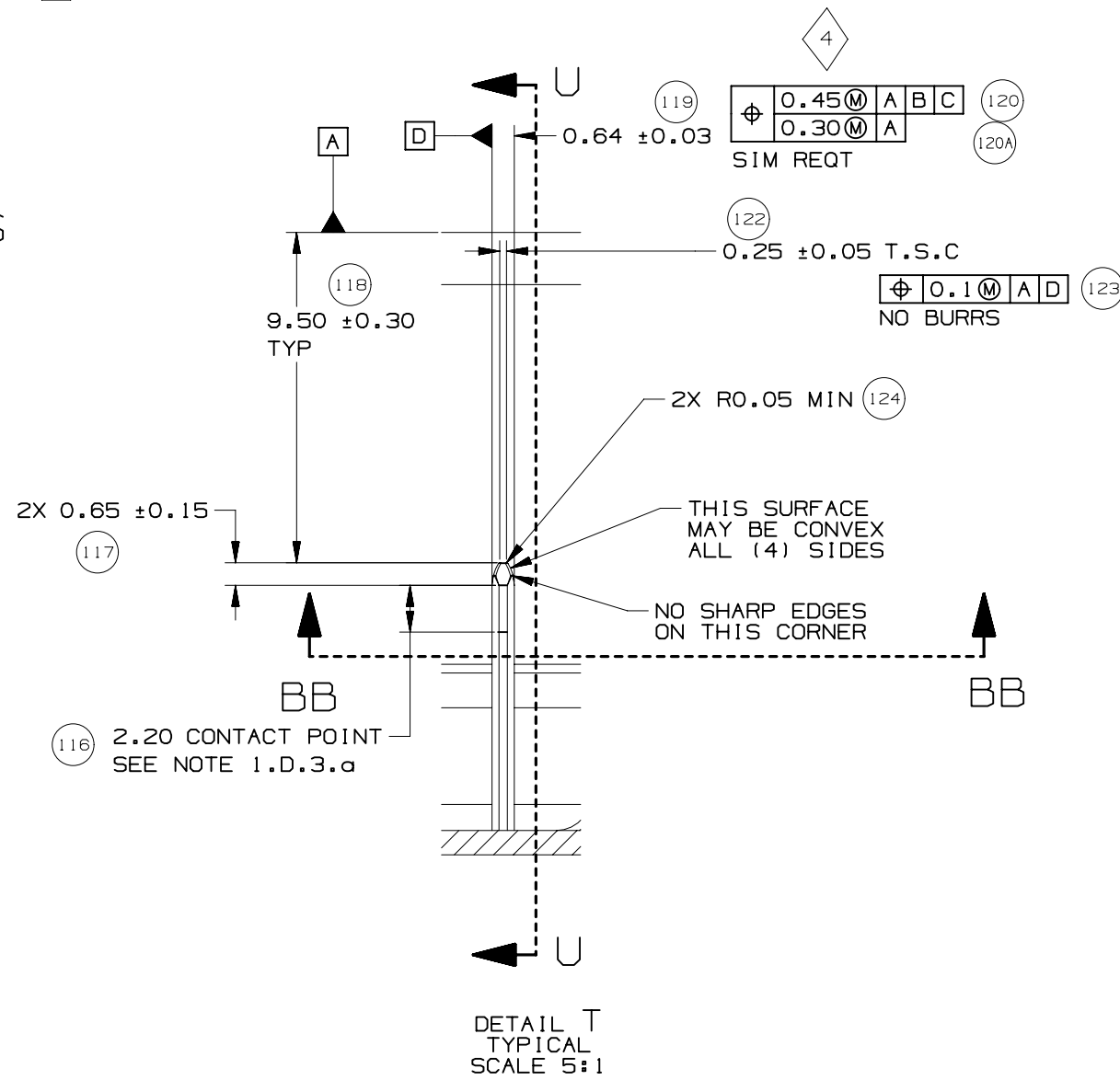
PAGE TITLE
COMPONENT CONNECTOR INTERFACE

DRAWING NUMBER
12672833

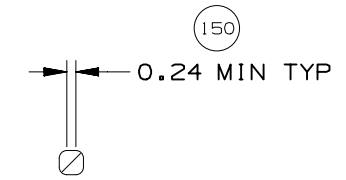
DWG STATUS			PAGE NUMBER	
ST	REV	PD1	19	OF 22
R	001			



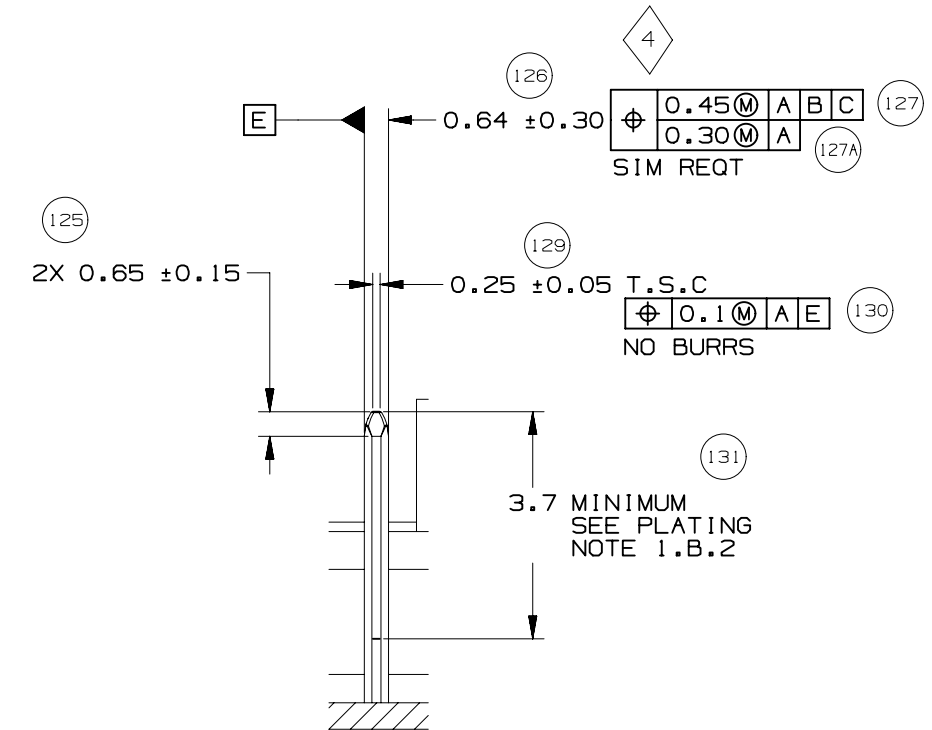
SECTION S-S



DETAIL T
TYPICAL
SCALE 5:1

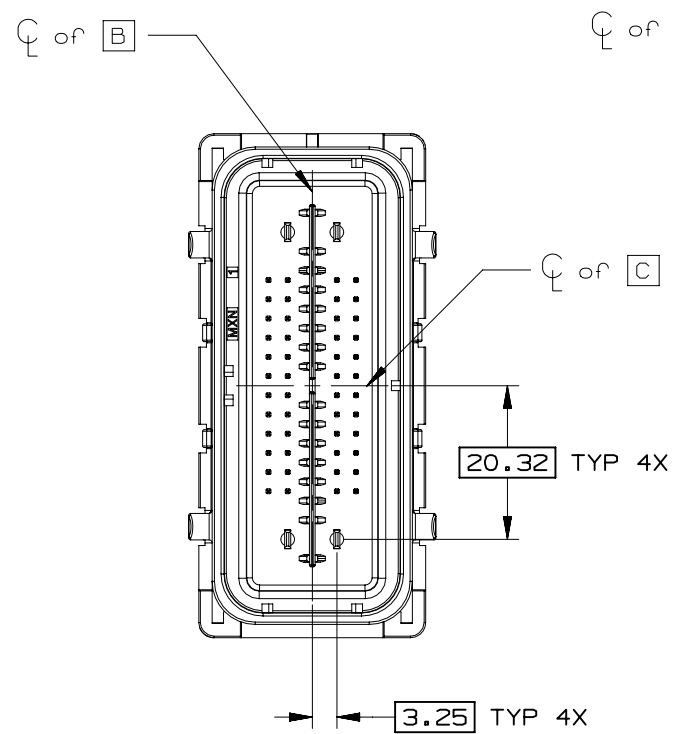


SECTION BB-BB

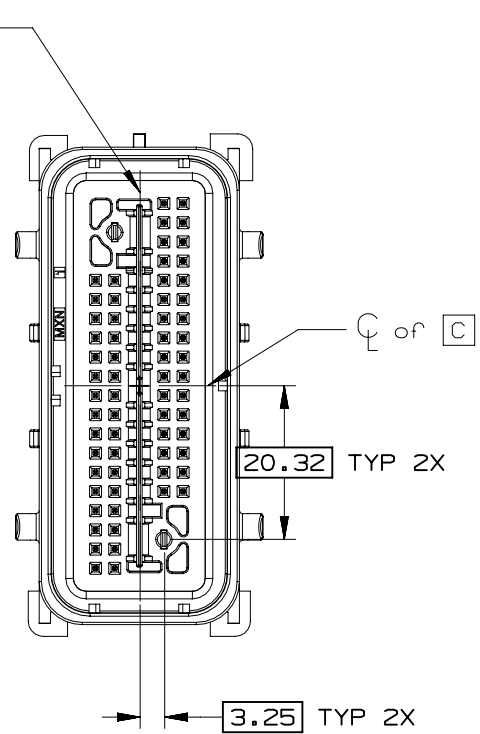


SECTION U-U
TYPICAL

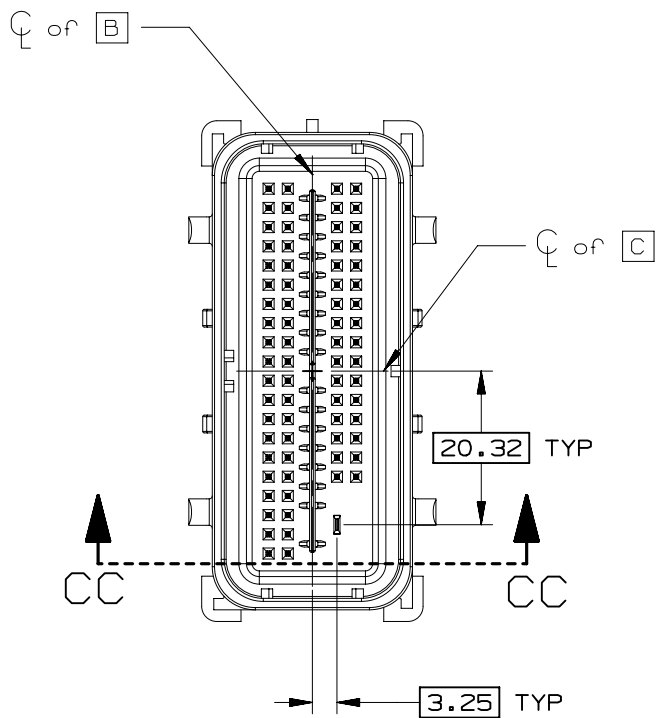




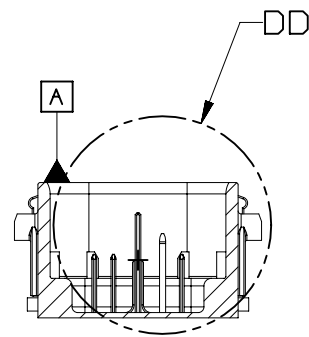
52 CKT COMPONENT
CONNECTOR INTERFACE



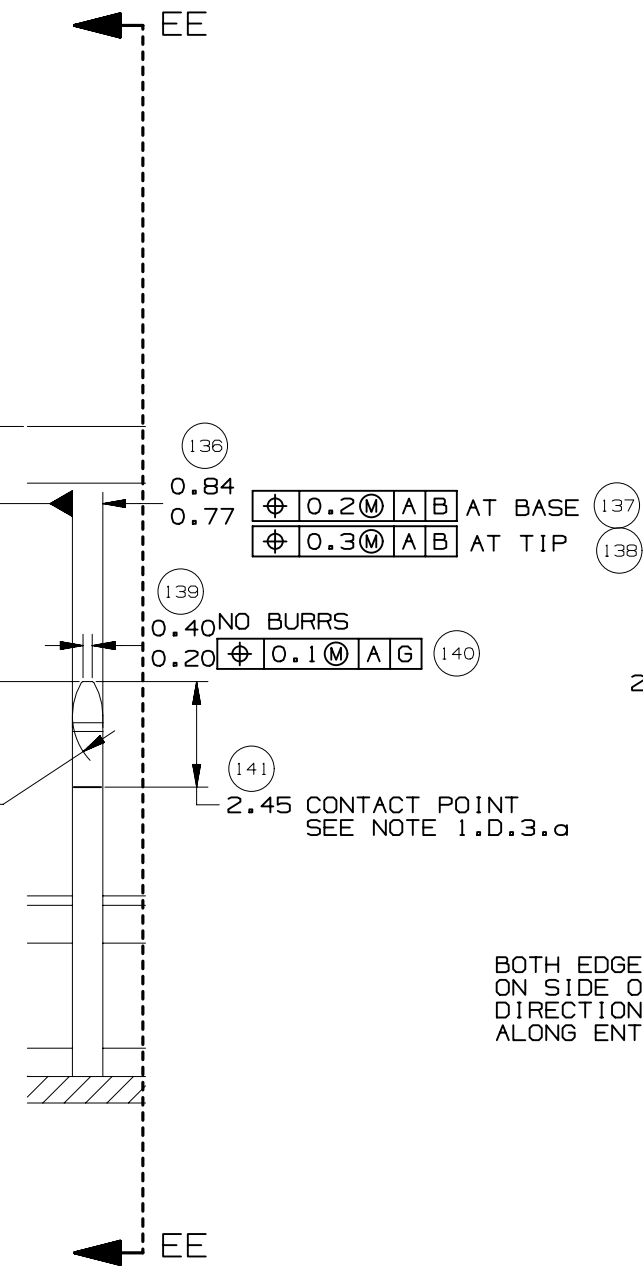
66 CKT COMPONENT
CONNECTOR INTERFACE



73 CKT COMPONENT
CONNECTOR INTERFACE



SECTION CC-CC



DETAIL DD
TYPICAL
SCALE 5:1

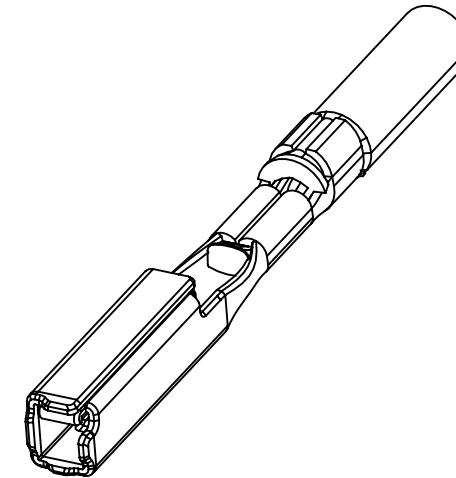
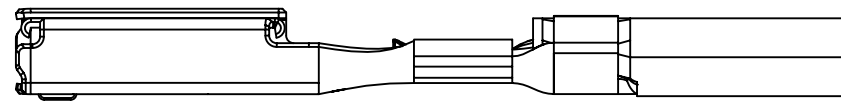
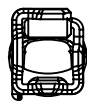
BOTH EDGES COINED
ON SIDE OPPOSITE
DIRECTION OF PUNCH
ALONG ENTIRE LENGTH

SECTION EE-EE
TYPICAL



MOLEX MX64 RECEPTACLE TERMINAL INFORMATION

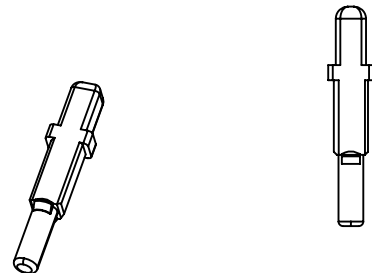
ITEM	MOLEX P/N	GM P/N	WIRE SIZE MM2	TYPE	PLATING	REEL WIND DIRECTION	COMMENTS
1	34736-0025		0.35	ISO	SILVER	LEFT	
2	34736-0026	12672850	0.35	ISO	SILVER	RIGHT	
3	34736-0027		0.5 / 0.75	ISO	SILVER	LEFT	
4	34736-0028	12672851	0.5 / 0.75	ISO	SILVER	RIGHT	



CAVITY PLUGS

ITEM	MFG	MFG P/N	GM P/N RD	SIZE	COLOR	MFG DRAWING	PROD SPEC	APP SPEC	COMMENTS
1	MOLEX	34586-0001	12674820	0.64	NATURAL	SD-34586-001	PS-34566-0000	AS-34566-001	
2	YAZAKI	7158-3114-90	12674821	2.8	BLUE	7158-3114-90	YPES-11-04-062	YPES-15-299	

ITEM 1



ITEM 2



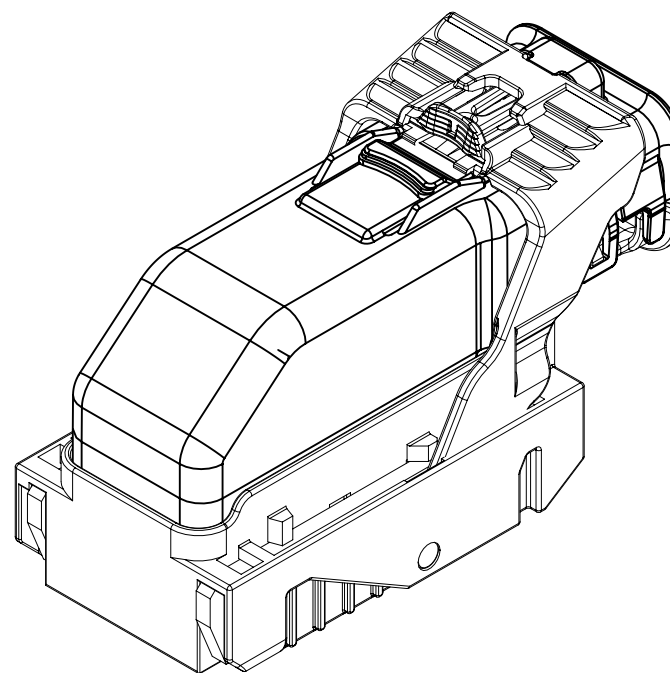
PAGE TITLE
ADDITIONAL COMPONENTS REQUIRED

DRAWING NUMBER
12672833


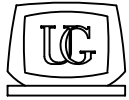
DWG STATUS		
ST	REV	PDI
R	001	

PAGE NUMBER
22 OF 22

INDEX	
PAGE TITLE	PAGE
TITLE BLOCK	1
REVISION BLOCK	2
PART BLOCK	3
KPC BLOCK	4
COMPONENT TABLE	5
NOTES	6
NOTES	7
WIRE DRESS PACKAGING DIMENSIONS	8
LOCATION AND PACKAGING DIMENSIONS REFERENCING INTERFACE DATUMS B & C	9
LOCATION AND PACKAGING DIMENSIONS REFERENCING INTERFACE DATUM A	10
KEY ID REF - WIRE DRESS OPTION 0	11
KEY ID REF - WIRE DRESS OPTION 9	12
CIRCUIT CONFIGURATIONS	13
CIRCUIT CONFIGURATIONS	14
COMPONENT CONNECTOR INTERFACE	15
COMPONENT CONNECTOR INTERFACE	16
COMPONENT CONNECTOR INTERFACE	17
COMPONENT CONNECTOR INTERFACE	18
COMPONENT CONNECTOR INTERFACE	19
COMPONENT CONNECTOR INTERFACE	20
COMPONENT CONNECTOR INTERFACE	21
ADDITIONAL COMPONENTS REQUIRED	22




ISO VIEW

	<p>UNLESS OTHERWISE SPECIFIED: THIS DOCUMENT IS IN ACCORDANCE WITH ASME Y14.5M-1994 AS AMMENDED BY THE GM GLOBAL DIMENSIONING AND TOLERANCING ADDENDUM-1997. ALL GEOMETRIC TOLERANCES AND RELATED DATUMS APPLY RFS. RULE #1 (PERFECT FORM AT MMC) DOES NOT APPLY WHEN A RELATIONSHIP BETWEEN FEATURES IS ESTABLISHED BY ORIENTATION OR LOCATION TOLERANCES. SEPARATE POSITION CALLOUTS MAY BE GAGED SEPARATELY REGARDLESS OF DATUM REFERENCES.</p>			DATE
	 CHANGE RESTRICTED NO MANUAL CHANGES	REFERENCE 12H (MOLEX AUTOMOTIVE)	DRAFTER APVD1	05JN15
DO NOT SCALE		APVD2		
METRIC DIMENSIONS SHOWN IN MILLIMETERS UNLESS OTHERWISE SPECIFIED		APVD3		
	DRAWING NAME	APVD4		
	HARNESS CONN ASM-SEALED 52/66/73/80 CKTS, MX123	APVD5		
	DRAWING NUMBER	DWG STATUS		
	12672833	ST	REV	
		R	001	
		PAGE NUMBER		
		1 OF 22		

PAGE	DWG STATUS					REVISION HISTORY	AUTH	DR	CK	ENG
	DATE	ST	REV	CHG	PDI					
	05JN15	R	001			RELEASED TO PRODUCTION AT DLS A	CRMRJE	DFK		

PAGE	DWG STATUS					REVISION HISTORY	AUTH	DR	CK	ENG
	DATE	ST	REV	CHG	PDI					

	PAGE TITLE	DRAWING NUMBER	DWG STATUS			PAGE NUMBER	
	REVISION BLOCK		12672833	ST	REV	PDI	2 OF 22
				R	001		

KEY PRODUCT CHARACTERISTICS
(IN ACCORDANCE WITH QN 1805 OR ON 1050)



SAFETY/COMPLIANCE

TOTAL ON
DRAWING

4



FIT/FUNCTION

LAST NO.
USED

4

NO	TYPE	DESCRIPTION	RATIONALE	PAGE/ZONE
1	F/F	32.68	IMPROVE CONNECTOR SYSTEM MATING	16
2	F/F	29.00	INSURE PROPER RELEASE OF LEVER	16
3	F/F	15.25	INSURE FINAL MATE POSITION	17
4	F/F	POSITIONAL TOLERANCE (2 PLACES)	INSURE CONNECTOR SYSTEM MATEABILITY	20



PAGE TITLE
KPC BLOCK

DRAWING NUMBER

12672833

DWG STATUS

ST	REV	PDI
----	-----	-----

R	001	
---	-----	--

PAGE NUMBER

4 OF 22

LINE	MFG.	MFG. P/N	GM P/N	EFFECTIVE DATE	APPLICABLE COMPONENTS	KEY OPTION	WIRE DRESS OPTION	KEY CONFIG.	COLOR	STATUS
					DESCRIPTION					
-										
1	MOLEX	34565-0003	12582676	02JN03	MX123 DRESS COVER 52/66/73/80 CKT	N/A	N/A	N/A	BLACK	AVAILABLE
2	MOLEX	160094-0001	12672852	01SP13	MX123 HRNS CONN ASSY 52 CKT	A	0	1458	BLACK	AVAILABLE
3	MOLEX	160094-0003	12672854	01SP13	MX123 HRNS CONN ASSY 52 CKT	C	0	2467	BLUE	AVAILABLE
4	MOLEX	160094-0013	12672853	01SP13	MX123 HRNS CONN ASSY 52 CKT	A	9	1458	BLACK	AVAILABLE
5	MOLEX	160094-0015	12672855	01SP13	MX123 HRNS CONN ASSY 52 CKT	C	9	2467	BLUE	AVAILABLE
6	MOLEX	34822-0013	12672856	01SP13	MX123 HRNS CONN ASSY 66 CKT	A	0	1458	BLACK	AVAILABLE
7	MOLEX	34822-0033	12672858	01SP13	MX123 HRNS CONN ASSY 66 CKT	C	0	2467	BLUE	AVAILABLE
8	MOLEX	34822-0023	12672857	01SP13	MX123 HRNS CONN ASSY 66 CKT	A	9	1458	BLACK	AVAILABLE
9	MOLEX	34822-0043	12672859	01SP13	MX123 HRNS CONN ASSY 66 CKT	C	9	2467	BLUE	AVAILABLE
10	MOLEX	34566-0103	12672860	11JN04	MX123 HRNS CONN ASSY 73 CKT	A	0	1458	BLACK	AVAILABLE
11	MOLEX	34566-0203	12672862	11JN04	MX123 HRNS CONN ASSY 73 CKT	B	0	1468	ST GRAY	AVAILABLE
12	MOLEX	34566-0303	12672864	09AP08	MX123 HRNS CONN ASSY 73 CKT	C	0	2467	BLUE	AVAILABLE
13	MOLEX	34566-0603	12672866	05DC14	MX123 HRNS CONN ASSY 73 CKT	F	0	1357	NATURAL	AVAILABLE
14	MOLEX	34566-1303	12672861	11JN04	MX123 HRNS CONN ASSY 73 CKT	A	9	1458	BLACK	AVAILABLE
15	MOLEX	34566-1403	12672863	11JN04	MX123 HRNS CONN ASSY 73 CKT	B	9	1468	ST GRAY	AVAILABLE
16	MOLEX	34566-1503	12672865	09AP08	MX123 HRNS CONN ASSY 73 CKT	C	9	2467	BLUE	AVAILABLE
17	MOLEX	34566-1803	12672867	05DC14	MX123 HRNS CONN ASSY 73 CKT	F	9	1357	NATURAL	AVAILABLE
18	MOLEX	34566-0703	12672872	09AP08	MX123 HRNS CONN ASSY 80 CKT	G	0	1358	BLUE	AVAILABLE
19	MOLEX	34566-0803	12672870	11JN04	MX123 HRNS CONN ASSY 80 CKT	H	0	2458	ST GRAY	AVAILABLE
20	MOLEX	34566-0903	12672868	T.B.D	MX123 HRNS CONN ASSY 80 CKT	J	0	2457	BLACK	NOT ACTIVE
21	MOLEX	34566-1903	12672873	09AP08	MX123 HRNS CONN ASSY 80 CKT	G	9	1358	BLUE	AVAILABLE
22	MOLEX	34566-2003	12672871	11JN04	MX123 HRNS CONN ASSY 80 CKT	H	9	2458	ST GRAY	AVAILABLE
23	MOLEX	34566-2103	12672869	T.B.D	MX123 HRNS CONN ASSY 80 CKT	J	9	2457	BLACK	NOT ACTIVE
24	MOLEX	34736-0028	12672851	01AU10	MX64 RCPT TERM Ag 0.5mm/0.75mm ISO GAGE B (RIGHT PAYOFF)	N/A	N/A	N/A	N/A	AVAILABLE
25	MOLEX	34736-0026	12672850	01AU10	MX64 RCPT TERM Ag 0.35mm ISO GAGE B (RIGHT PAYOFF)	N/A	N/A	N/A	N/A	AVAILABLE
26	MOLEX	34586-0001	12674820	11JN04	MX123 0.64mm GROMMET PLUG	N/A	N/A	N/A	NATURAL	AVAILABLE
27	YAZAKI	7116-4150-02	12588066	02JN03	2.8mm YESC SEALED FEMALE TERMINAL TIN 0.35mm2-0.50mm2	N/A	N/A	N/A	N/A	NOT ACTIVE
28	YAZAKI	7116-4151-02	12588067	02JN03	2.8mm YESC SEALED FEMALE TERMINAL TIN 0.75mm2-1.0mm2	N/A	N/A	N/A	N/A	NOT ACTIVE
29	YAZAKI	7116-4152-02	12582685	02JN03	2.8mm YESC SEALED FEMALE TERMINAL TIN 1.5mm2-2.5mm2	N/A	N/A	N/A	N/A	AVAILABLE
30	YAZAKI	7158-3111-60	12588068	02JN03	2.8mm CABLE SEAL (wire O.D. range 1.2mm-1.9mm)	N/A	N/A	N/A	GREEN	NOT ACTIVE
31	YAZAKI	7158-3112-70	12588069	02JN03	2.8mm CABLE SEAL (wire O.D. range 1.8mm-2.3mm)	N/A	N/A	N/A	YELLOW	NOT ACTIVE
32	YAZAKI	7158-3113-40	12582686	02JN03	2.8mm CABLE SEAL (wire O.D. range 2.1mm-3.0mm)	N/A	N/A	N/A	WHITE	AVAILABLE
33	YAZAKI	7158-3114-90	12674821	02JN03	2.8mm YESC CAVITY PLUG	N/A	N/A	N/A	BLUE	AVAILABLE
34	MOLEX	63825-8400	N/A	02JN03	MX64 TERM HAND CRIMP TOOL	N/A	N/A	N/A	N/A	AVAILABLE
35	MOLEX	63813-1400	XX019826	02JN03	MX64 TERM SERVICE TOOL	N/A	N/A	N/A	N/A	AVAILABLE
36	MOLEX	63902-5300	N/A	02JN03	MX64 CRIMP APPLICATOR with TOOL KIT 0.5/0.75mm2 PAYOFF DIRECTION D (left payoff) (contact Molex for payoff detail)	N/A	N/A	N/A	N/A	AVAILABLE
37	MOLEX	63902-5370	N/A	02JN03	MX64 APPLICATOR TOOL KIT 0.5/0.75mm2	N/A	N/A	N/A	N/A	AVAILABLE
38	MOLEX	63902-5100	N/A	02JN03	MX64 CRIMP APPLICATOR with TOOL KIT 0.35mm2 PAYOFF DIRECTION D (left payoff) (contact Molex for payoff detail)	N/A	N/A	N/A	N/A	AVAILABLE
39	MOLEX	63902-5170	N/A	02JN03	MX64 APPLICATOR TOOL KIT 0.35mm2	N/A	N/A	N/A	N/A	AVAILABLE
40	SPX	J35616-64	T.B.D.	02JN03	0.64mm PROBE TOOL (for rcpt)	N/A	N/A	N/A	N/A	AVAILABLE
41	SPX	J35616-64A	T.B.D.	02JN03	0.64mm PROBE TOOL WITH EXT (for rcpt)	N/A	N/A	N/A	N/A	AVAILABLE
42	SPX	J35616-65	T.B.D.	02JN03	0.64mm PROBE TOOL WITH EXT (for pin)	N/A	N/A	N/A	N/A	AVAILABLE
43	SPX	J35616-4A	T.B.D.	02JN03	2.8mm PROBE TOOL (for rcpt)	N/A	N/A	N/A	N/A	AVAILABLE
44	YAZAKI	X39899-J374	12094430	02JN03	2.8mm TERM SERVICE TOOL	N/A	N/A	N/A	N/A	AVAILABLE
45	TQI	7000-1006	N/A	15JN15	52 CKT PASS THROUGH ADAPTERS	N/A	N/A	N/A	BLACK	AVAILABLE
46	TQI	7000-1002	N/A	15JN15	66 CKT PASS THROUGH ADAPTERS	N/A	N/A	N/A	BLACK	AVAILABLE
47	TQI	79917-0061	N/A	15JN15	73 CKT PASS THROUGH ADAPTERS	N/A	N/A	N/A	BLACK	AVAILABLE
48	TQI	79917-0066	N/A	15JN15	80 CKT PASS THROUGH ADAPTERS	N/A	N/A	N/A	BLACK	AVAILABLE

* - MX123 DRESS COVER 52/66/73/80 CKT MATES TO ANY MX123 HARN CONN ASSY SHOWN ON TABLE ABOVE



PAGE TITLE
COMPONENT TABLE

DRAWING NUMBER

12672833

DWG STATUS

ST REV PDI

R 001

PAGE NUMBER

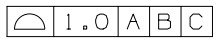
5 OF 22

NOTES: UNLESS OTHERWISE SPECIFIED

1. MATERIAL FOR INTERFACE:


- A. RESIN:
 - 1. 30% G.F. PBT; 20% MAX. (BY WEIGHT) REGRIND.
 - 2. MATING CONNECTOR INTERFACE PART COLOR MUST BE SAME AS MATCHING KEYED HARNESS CONNECTOR ASSEMBLY.
 - 3. MUST BE VALIDATED FOR INDIVIDUAL DEVICE APPLICATION REQUIREMENTS.
- B. 0.64MM PINS:
 - 1. BASE MATERIAL: COPPER ALLOY; CONDUCTIVITY >= 28% IACS AT 20°C; TENSILE STRENGTH >= 635 N/mm²; SURFACE ROUGHNESS R_a 6 MAX.
 - 2. PLATING FINISH: SILVER (Ag). PLATING TO BE 1.9-3.3 μm ELECTRODEPOSITED SEMI-BRIGHT SILVER OVER 1.25-2.25 μm DUCTILE SULPHAMATE NICKEL PER NOTE 1(D).
 - 3. ANTI-TARNISH: SYNTHETIC HYDROCARBON CONTACT SURFACE FINISH OR EQUIVALENT APPLIED WITHOUT VOID TO CONTACT AREA (MIN 3.7mm FROM PIN TIP).
- C. 2.8MM BLADE:
 - 1. BASE MATERIAL: COPPER ALLOY; CONDUCTIVITY >= 28% IACS AT 20°C; TENSILE STRENGTH >= 350 N/mm²; SURFACE ROUGHNESS R_a 6 MAX.
 - 2. PLATING FINISH: TIN. PLATING TO BE 2.5-5.0 μm ELECTRODEPOSITED TIN, MATTE FINISH OVER 1.25-2.5 μm DUCTILE SULPHAMATE NICKEL PER NOTE 1(D).
- D. PLATING REQUIREMENTS:
 - 1. SILVER PLATING
 - a. 99.5% PURE SEMI-BRIGHT WITH NO ORGANIC BRIGHTNERS OR CHROMATES.
 - 2. NICKEL PLATING
 - a. ELECTRODEPOSITED DUCTILE SULFAMATE NICKEL WITH A NON-BRIGHTENED FINISH. NO ORGANIC OR BRIGHTENING AGENTS SHALL BE ALLOWED.
 - b. SHALL ONLY BE USED AS AN UNDERLYING PLATING AND MAY NOT BE USED AS AN ELECTRICAL CONTACT SURFACE PLATING.
 - c. SHALL BE NODULE FREE WHEN VIEWED AT 10X MAGNIFICATION IN MEASURED IN CONTACT SURFACE AREA PLUS 0.5MM PERIMETER AROUND THE CONTACT SURFACE AREA.
 - d. ALL PLATINGS SHALL HAVE A 1.0% MAXIMUM BY WEIGHT IMPURITIES. IMPURITIES ARE DEFINED AS ALL ELEMENTS NOT THE PRIMARY PLATING OR HARDENING AGENT IF APPLICABLE, AS DETERMINED BY WET CHEMICAL ANALYSIS OR AUGER METHOD. NO SINGLE IMPURITY SHALL EXCEED 0.1% MAXIMUM BY WEIGHT.
 - 3. TESTING
 - a. THICKNESS TO BE MEASURED IN CONTACT SURFACE AREA PLUS 0.5MM PERIMETER AROUND THE CONTACT SURFACE AREA AS DESIGNATED IN THE DRAWING. THICKNESS SHALL BE DETERMINED BY METHOD OF X-RAY (XRF).
 - b. PLATING ADHESION SHALL BE TESTED BY A BEND TEST FOR ALL METALS. THE TEST SAMPLE SHALL BE BENT 90 DEGREES TO DETERMINE DEPOSIT ADHESION. TESTING SHALL BE COMPLETED IN ACCORDANCE WITH ASTM SPEC B571.

2. DESIGN - GENERAL:

- A. THIS IS A 100% CAD GENERATED PART. THE CAD MATHEMATICAL DATA IS THE MASTER FOR THIS PART. FOR DIMENSIONAL OR ANY INFORMATION NOT SHOWN ON THIS DRAWING, ANALYZE THE CAD MODEL.
- B. TOLERANCES:
 - 1. LINEAR
 - 0.X ± 0.30
 - 0.XX ± 0.10
 - 0.XXX ± 0.10
 - 2. ANGULAR X° ± 3°
 - 3. 
- C. MINIMUM WALL THICKNESS REQUIRED: 1.3mm.
- D. CORNERS SHOWN AS SHARP TO BE R 0.2 MAX.
- E. LETTERING SHALL BE 0.15 MAX RAISED IN 0.20 MAX RECESS PAD. THIS INCLUDES MATERIAL CODE, RECYCLING CODE, CAVITY ID AND DATE CODE.
- F-1. PARTS MUST BE FREE OF DISCOLORATION, SALT RESIDUE AND OTHER IMPERFECTIONS THAT AFFECT FIT OR FUNCTION.
- F-2. SCRATCHES OR DENTS NOT TO EXCEED 0.013mm IN DEPTH.
- G. FOLLOWING PRODUCTION CODES TO BE PERMANENTLY MARKED & HUMAN READABLE TO A LETTER HEIGHT OF 1.5 ± 0.5MM X 0.3 MAX DEEP
 - 1. MATERIAL #: XXXXX-XXXX
 - 2. DATE CODE: JJJY (JULIAN DAY, LAST DIGIT OF YEAR)
 - 3. INSPECTION MACHINE CODE + SERIAL #: X_XXXXX

3. DESIGN - MANUFACTURING:

- A. DRAFT TO BE WITHIN TOLERANCE.
- B. ALLOWABLE FLASH MAX 0.2 HIGH X MAX 0.13 THICK.
- C. ALLOWABLE PARTING LINE MISMATCH 0.2 MAX.
- D. EJECTOR PINS MARK TO BE FLUSH TO 0.25 MAX DEPRESSED.
- E. ALLOWABLE GATE VESTIGE FLUSH TO 0.25 MAX PROTRUSION.
- F. NO EXTERNAL MOLD RELEASE AGENT ALLOWED DURING MANUFACTURING.
- G. STEEL THAT FORMS THE INDICATED SURFACE MUST BE POLISHED WITH A DIAMOND FINISH (SPI A-2) OVER THE FULL PERIPHERY OF THE TOOL. SURFACE MUST HAVE NO MISMATCH.
- H. ANY PROCESS LUBRICANT REMAINING ON THE TERMINAL MUST NOT VARNISH OR DEGRADE IT'S ELECTRICAL PERFORMANCE UP TO A MAXIMUM CLASS AMBIENT TEMPERATURE PER SAE USCAR-2 FOR 1008 HOURS. PROCESS LUBRICANTS SHOULD BE APPROVED BY THE RESPONSIBLE ENGINEER.
- J. OPTIONAL FEATURES PROVIDED FOR AUTOMATION.
- K. PART MUST BE FREE FROM BURRS AND SHARP EDGES, WHICH MIGHT BE DETRIMENTAL TO SATISFACTORY ASSEMBLY, SAFE HANDLING OR FUNCTION OF PART.
- L. PARTS AS DELIVERED TO ASSEMBLY SHALL BE CLEAN AND FREE OF DEBRIS, RESIDUAL ABRASIVE MATERIAL AND CORROSION PRODUCTS ADVERESLY AFFECTING FUNCTION OR APPEARENCE.
- M. RESTRICTED AND REPORTABLE SUBSTANCES FOR PARTS PER GMW3059.

	PAGE TITLE	DRAWING NUMBER 12672833	DWG STATUS			PAGE NUMBER
	NOTES		ST	REV	PDI	
	R		001			

NOTES: UNLESS OTHERWISE SPECIFIED

4. SYSTEM REQUIREMENTS:

- A. HARNESS CONNECTOR IS COMPATIBLE WITH THE FOLLOWING ISO WIRE SIZE NO'S:
 0.35mm², MEETING GMW15626 - MIN OD OF 1.30MM
 0.50mm², MEETING GMW15626
 0.75mm², MEETING GMW15626 - MAX OD OF 2.06MM

B. CABLE TIE SPECIFICATIONS:

1. CABLE TIE:
 - TENSILE RATING: 220N / (50lbs) MIN
 - TIE LENGTH: 186mm MIN
 - TIE WIDTH: 4.75mm MAX
 - MATERIAL: NYLON
2. INSTALLATION:
 - CABLE TIE TENSION: 190N MIN
3. DRESSED WIRE BUNDLE PACKAGING: SEE FIG. 1

C. WHEN MATED WITH COMPONENT CONNECTOR INTERFACE AND/OR DRESS COVER, HARNESS CONNECTOR SYSTEM CONFORMS TO THE FOLLOWING:

1. SAE/USCAR-2, REV: 3 APRIL, 2001; CLASS 3
2. FIELD CORRELATED LIFE TEST, SAE/USCAR-20, NOV. 2001
3. GMW #3191 AUGUST 22, 2000 (DRAFT); TEMPERATURE CLASS 3, SEALING CLASS 1, VIBRATION CLASS 2
4. RESTRICTED AND REPORTABLE CHEMICALS PER GMW #3059, REV: D AUGUST 2002
5. TPA USER FORCES (FULLY POPULATED WITH TERMINALS)
 - a. REMOVAL FROM LOCK TO PRE-SET: <=120N

D. WIRE SPECIFICATIONS:

1. WIRE SURFACE MUST BE FREE OF SCRATCHES, GROOVES OR DENTS WHERE FUNCTIONAL

5. TERMINAL CURRENT RATINGS:

A. MX64 RCPT TERM

ALL TESTING DONE IN ACCORDANCE WITH USCAR-2 REV5 SECTION 5.3

1. MX64 RCPT TERM Ag 0.50/0.75mm² CRIMPED TO 0.75mm² ISO WIRE AND MATED TO MX123 0.64MM PIN: SEE TABLE BELOW
2. MX64 RCPT TERM Ag 0.35mm² CRIMPED TO 0.35mm² ISO WIRE AND MATED TO MX123 0.64MM PIN: SEE TABLE BELOW

WIRE	CURRENT RATING			
	23°C	85°C	105°C	125°C
0.75mm ²	11.3A	11.3A	9.5A	6.6A
0.50mm ²	10.0A	10.0A	8.3A	5.7A
0.35mm ²	8.5A	8.5A	7.1A	5.0A

B. 2.8MM RCPT TERM

ALL TESTING DONE IN ACCORDANCE WITH MOLEX DVP&R 0279 (TR # 7125)

1. 2.8MM RCPT TERM TIN 2.0mm² CRIMPED TO 2.0mm² ISO WIRE AND MATED TO MX123 2.8MM BLADE: 25.6 AMPS AT 125°C

6. CONTACT MOLEX AUTOMOTIVE FOR AVAILABLE CUSTOM PATTERNS OF CAVITIES OPEN FOR CIRCUITS - SEE GM DRAWING 13507496



PAGE TITLE
NOTES

DRAWING NUMBER

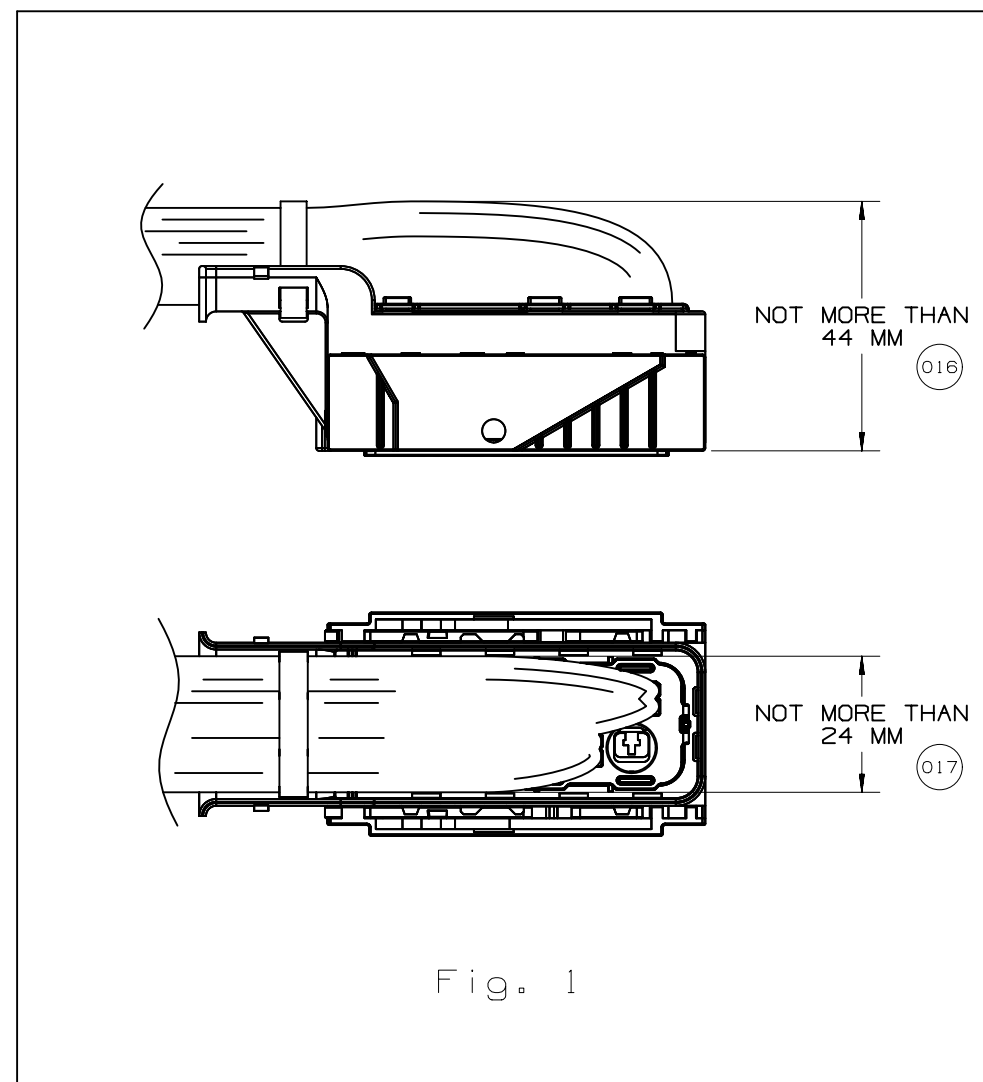
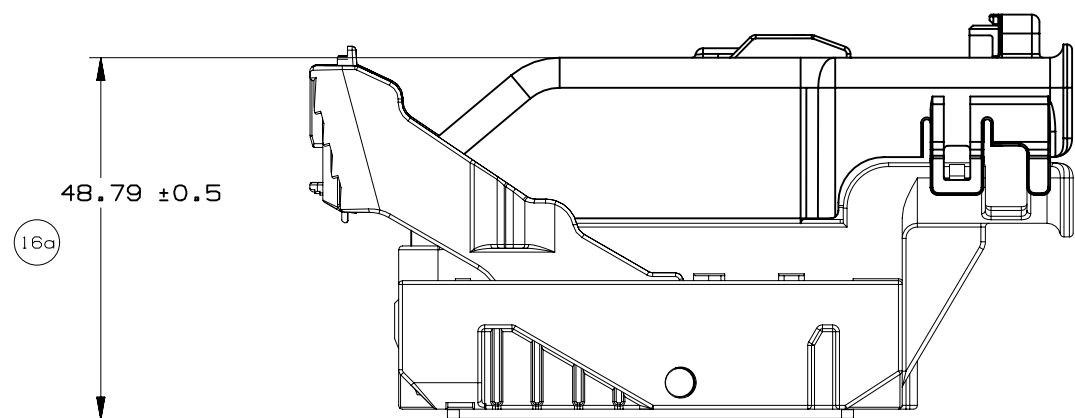
12672833

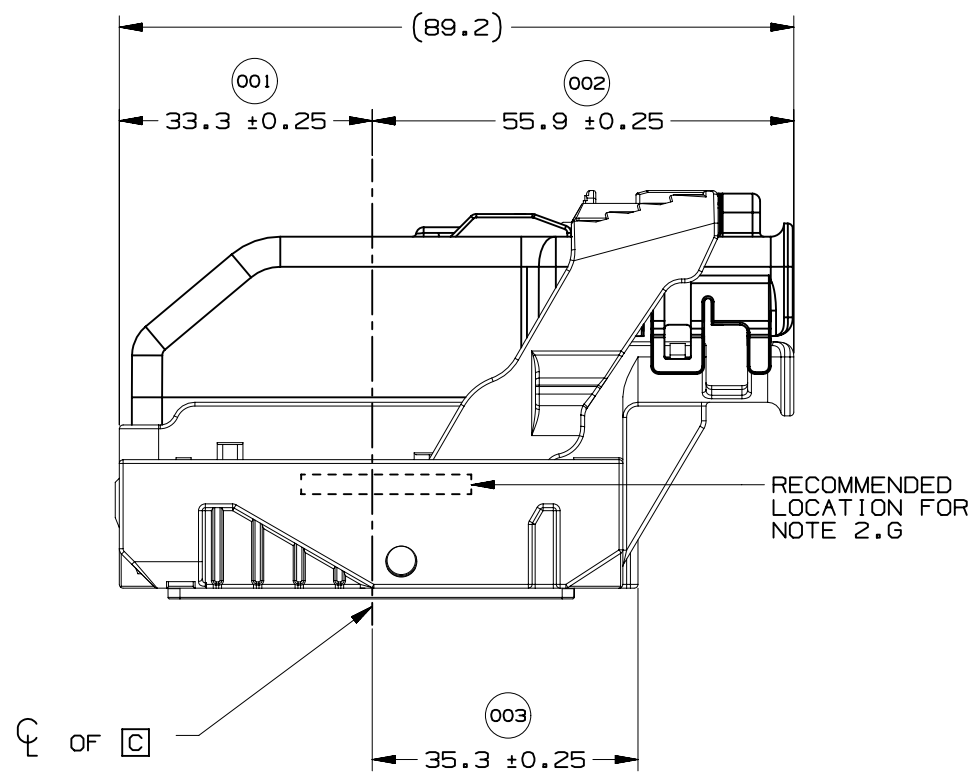
DWG STATUS

ST	REV	PDI
R	001	

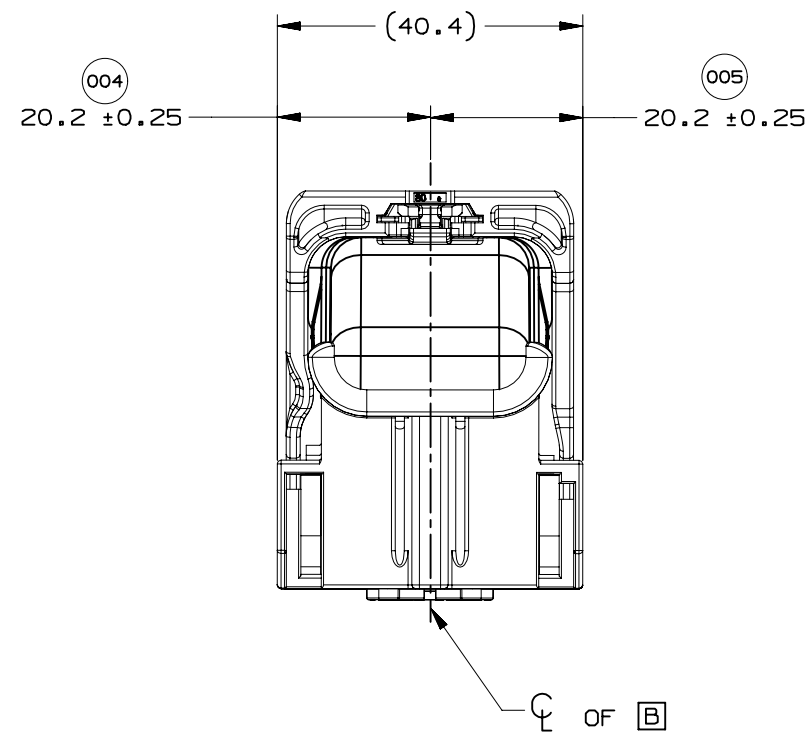
PAGE NUMBER

7 OF 22

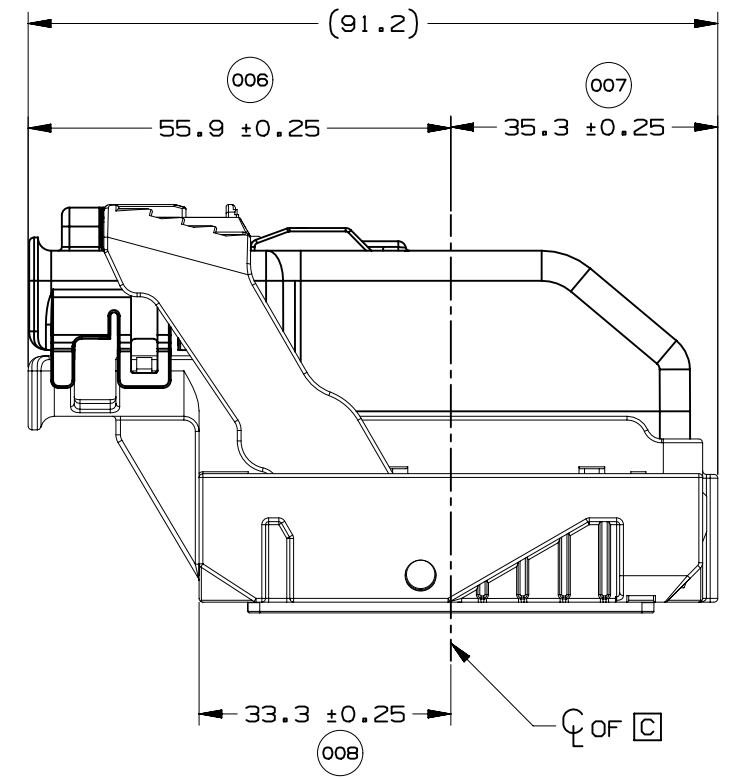




WIRE DRESS OPTION 0 SHOWN

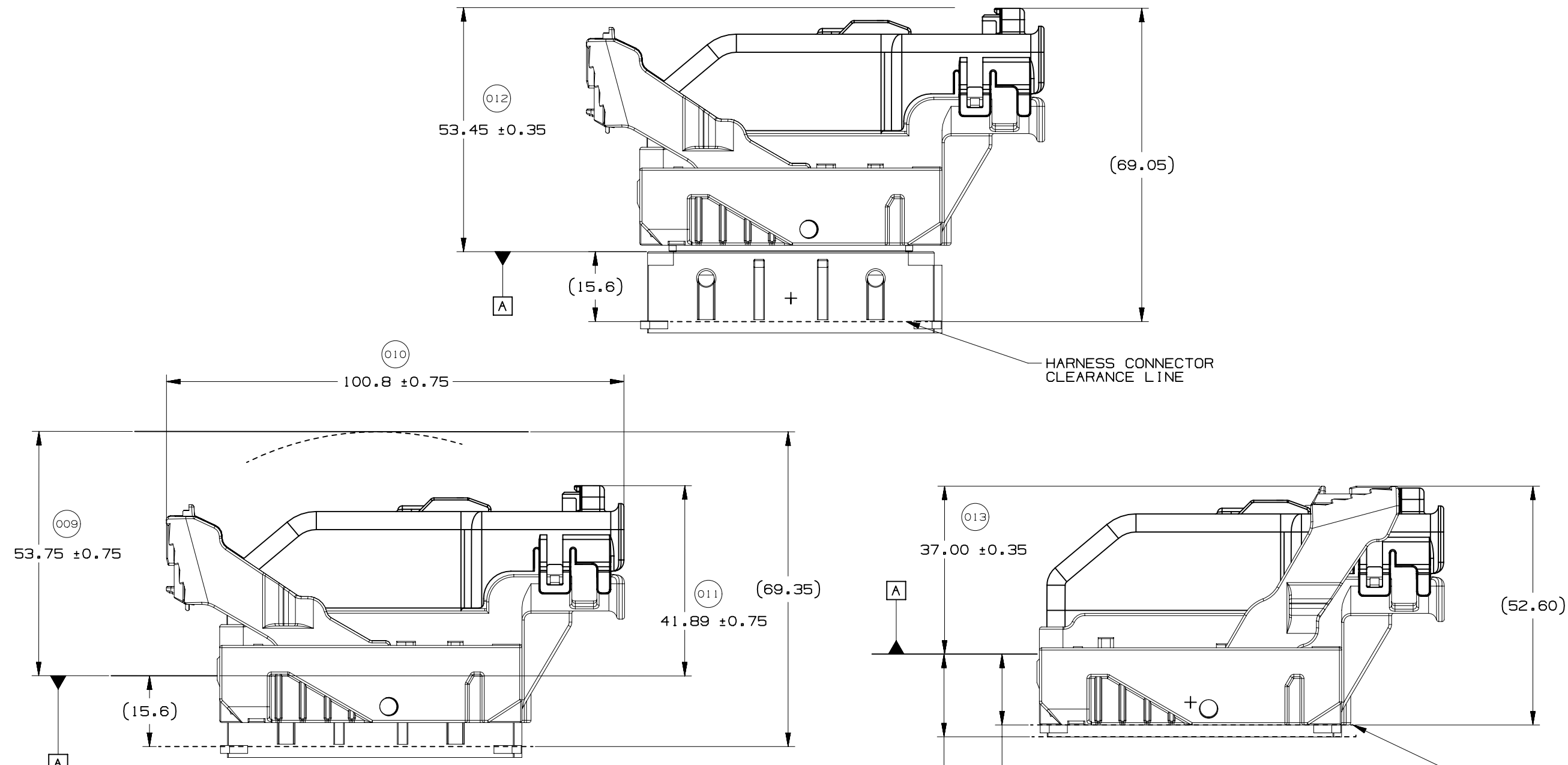


WIRE DRESS OPTION 0 SHOWN



WIRE DRESS OPTION 9 SHOWN





HARNESS CONNECTOR CLEARANCE LINE

HARNESS CONNECTOR ASSEMBLY IN FULLY-MATED POSITION

HARNESS CONNECTOR CLEARANCE LINE

15.6 MIN. ALL AROUND CLEARANCE REQUIRED FOR HARNESS CONNECTOR (014)

17.9 MIN. AT PAD LOCATION CLEARANCE REQUIRED FOR HARNESS CONNECTOR CONSTRUCTION BELOW THIS PLANE IS NOT CONTROLLED (015)

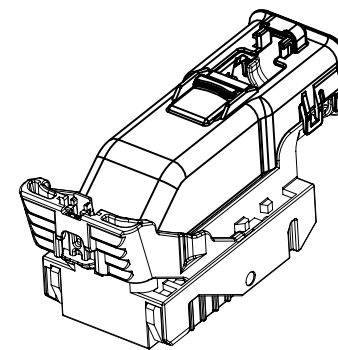
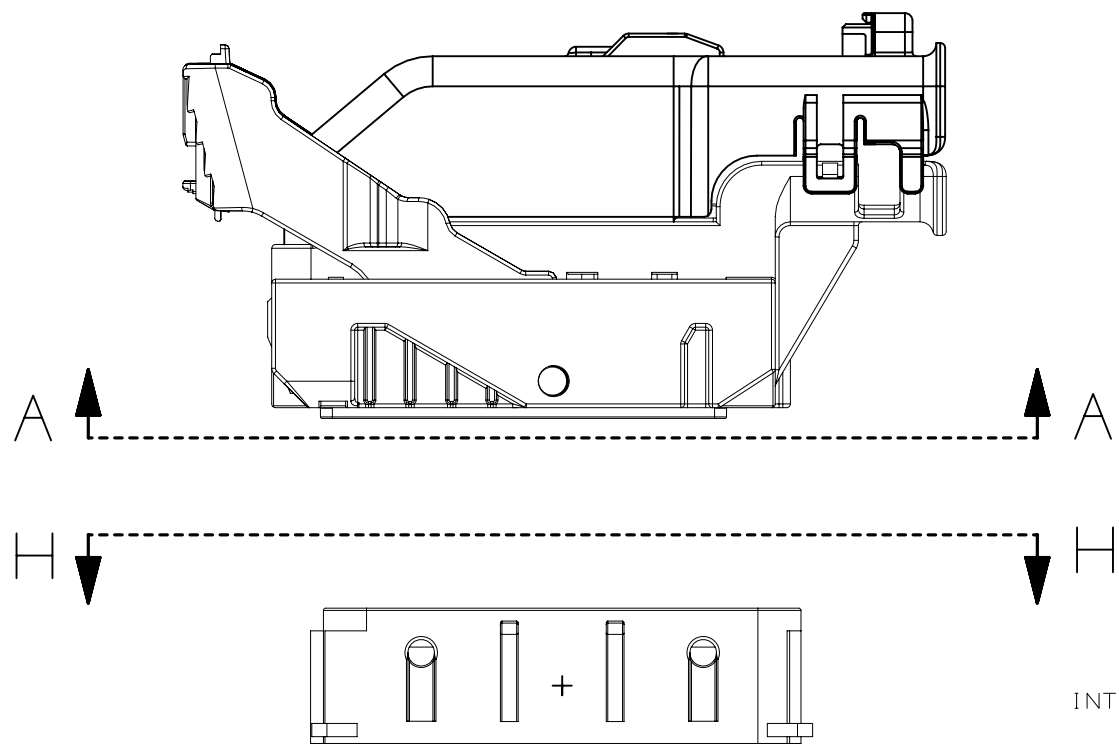


PAGE TITLE
 LOCATION AND PACKAGING DIMENSIONS
 REFERENCING INTERFACE DATUM A

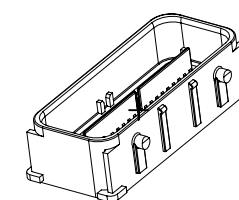
DRAWING NUMBER
 12672833

DWG STATUS		
ST	REV	PD1
R	001	

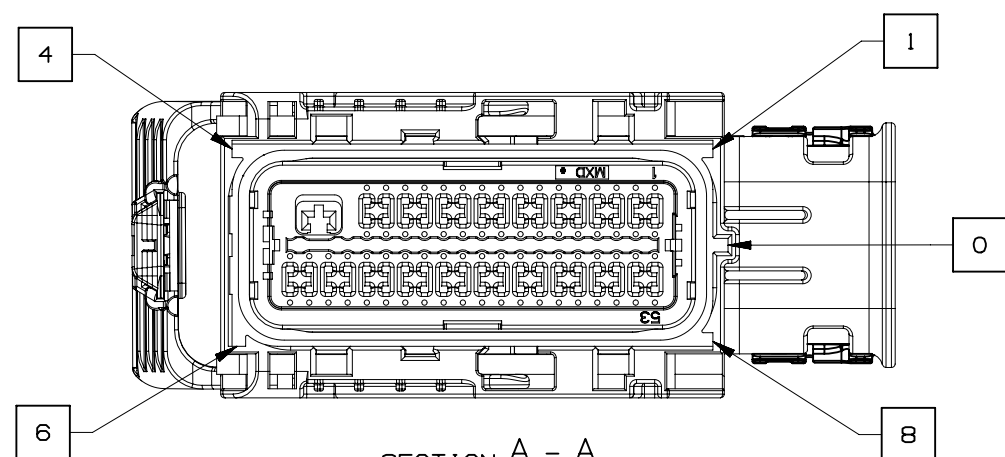
PAGE NUMBER
 10 OF 22



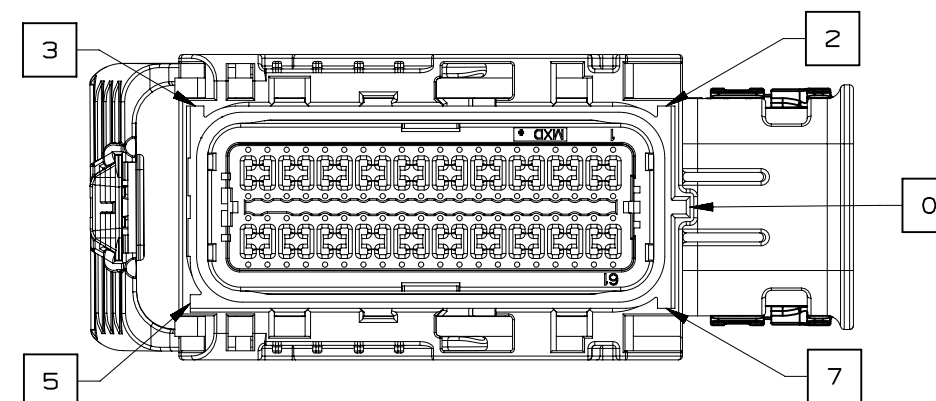
NOTE: REFERENCE THE COMPONENT TABLE FOR KEY OPTIONS AND CONFIGURATIONS



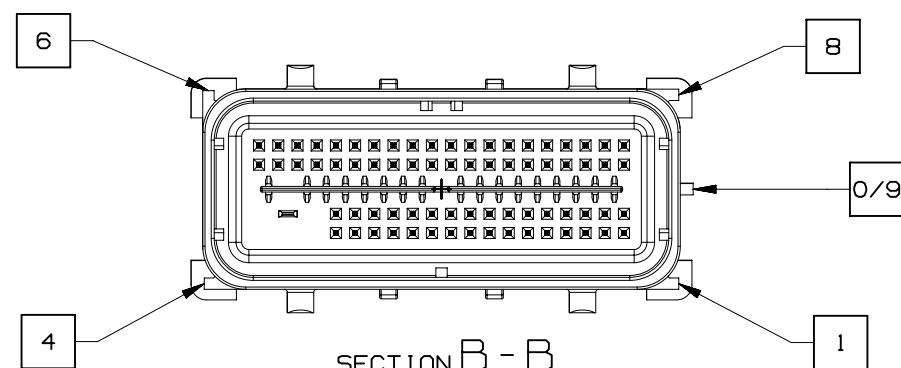
INTERFACE SIDE SHOWN ON ALL SECTION VIEWS



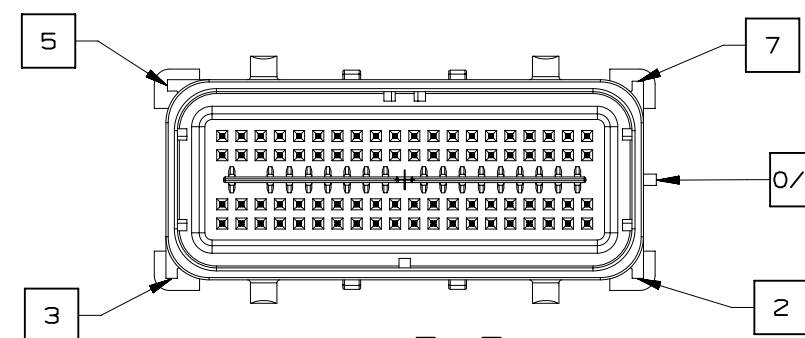
SECTION A - A
73 CKT HARNESS CONNECTOR ASSEMBLY
KEY OPTION B SHOWN



SECTION A - A
80 CKT HARNESS CONNECTOR ASSEMBLY
KEY OPTION K SHOWN



SECTION B - B
73 CKT HARNESS CONNECTOR ASSEMBLY
KEY OPTION B SHOWN



SECTION B - B
80 CKT HARNESS CONNECTOR ASSEMBLY
KEY OPTION K SHOWN

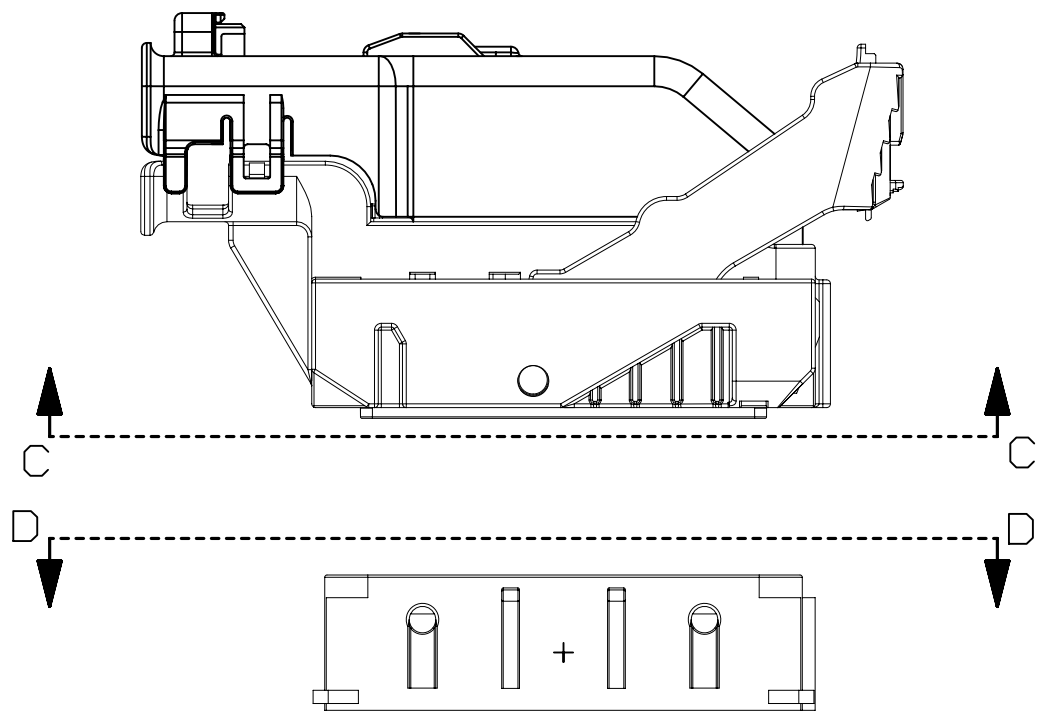


PAGE TITLE
KEY ID REF - WIRE DRESS OPTION 0

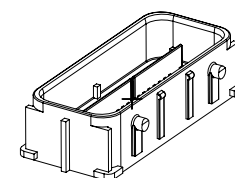
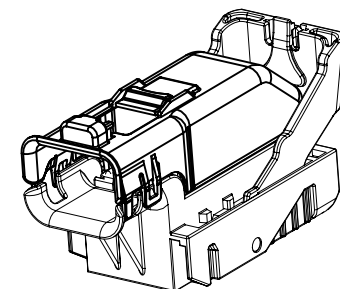
DRAWING NUMBER
12672833

DWG STATUS		
ST	REV	PD1
R	001	

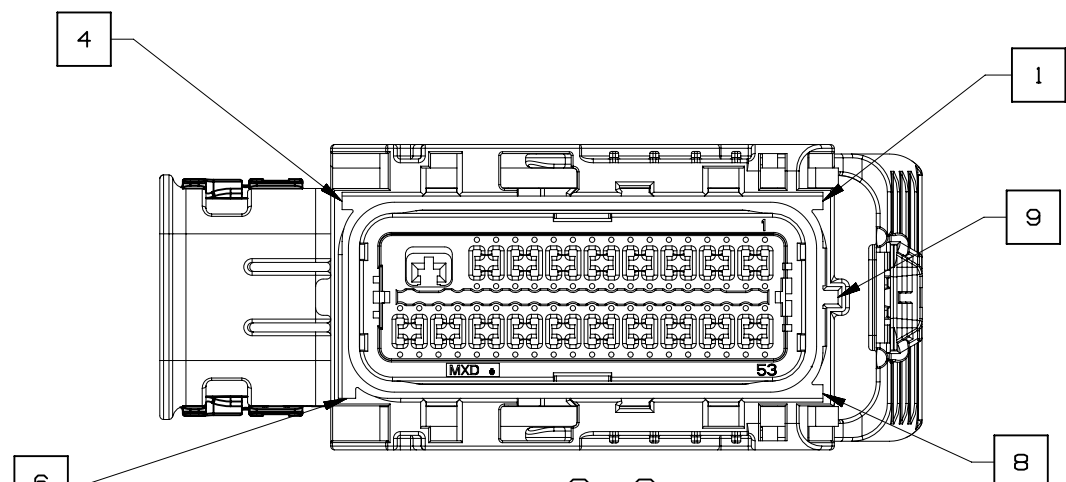
PAGE NUMBER
11 OF 22



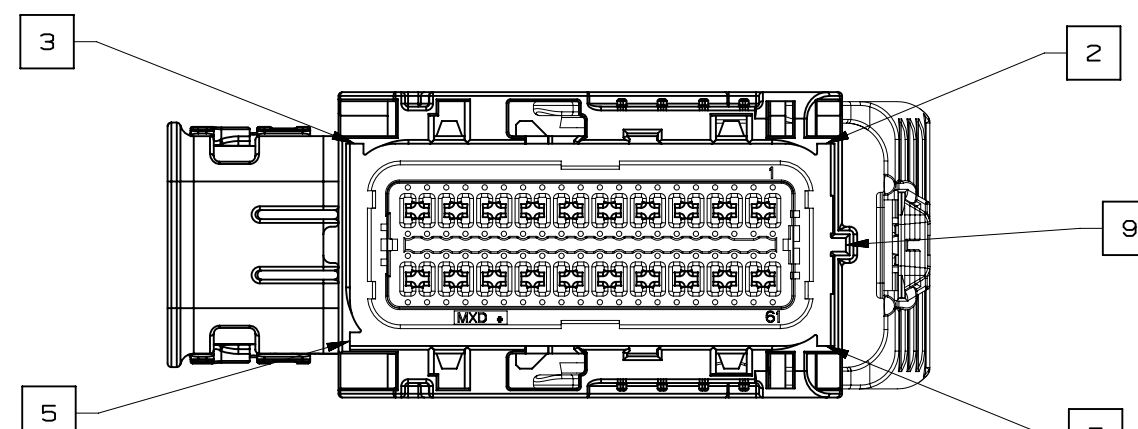
INTERFACE SIDE SHOWN ON ALL SECTION VIEWS



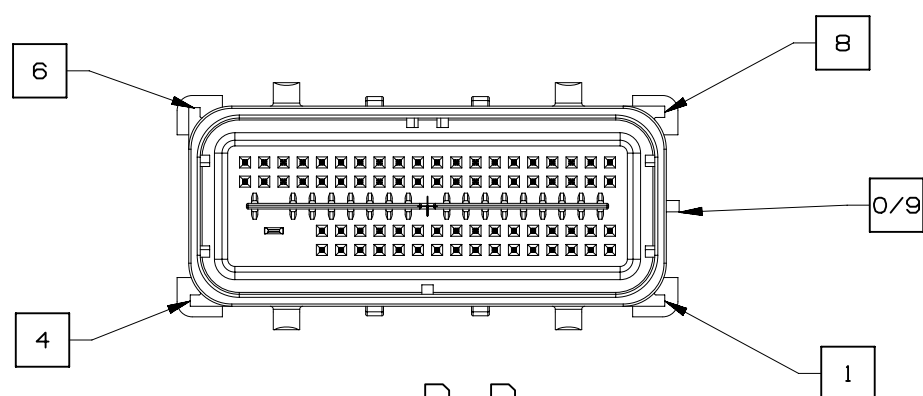
NOTE: REFERENCE THE COMPONENT TABLE FOR KEY OPTIONS AND CONFIGURATIONS



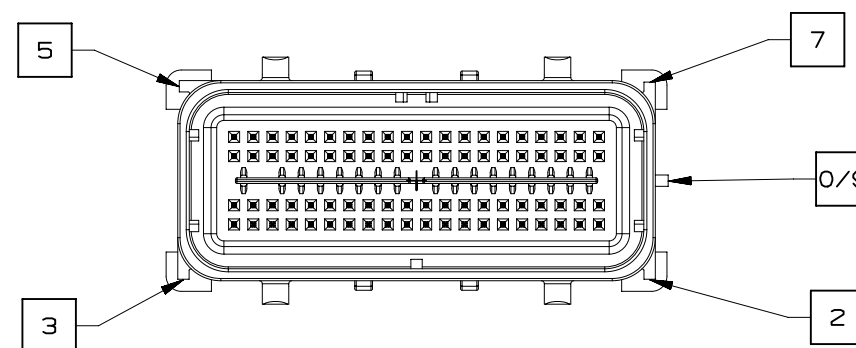
SECTION C - C
73 CKT HARNESS CONNECTOR ASSEMBLY
KEY OPTION B SHOWN



SECTION C - C
80 CKT HARNESS CONNECTOR ASSEMBLY
KEY OPTION K SHOWN



SECTION D - D
73 CKT HARNESS CONNECTOR ASSEMBLY
KEY OPTION B SHOWN



SECTION D - D
80 CKT HARNESS CONNECTOR ASSEMBLY
KEY OPTION K SHOWN

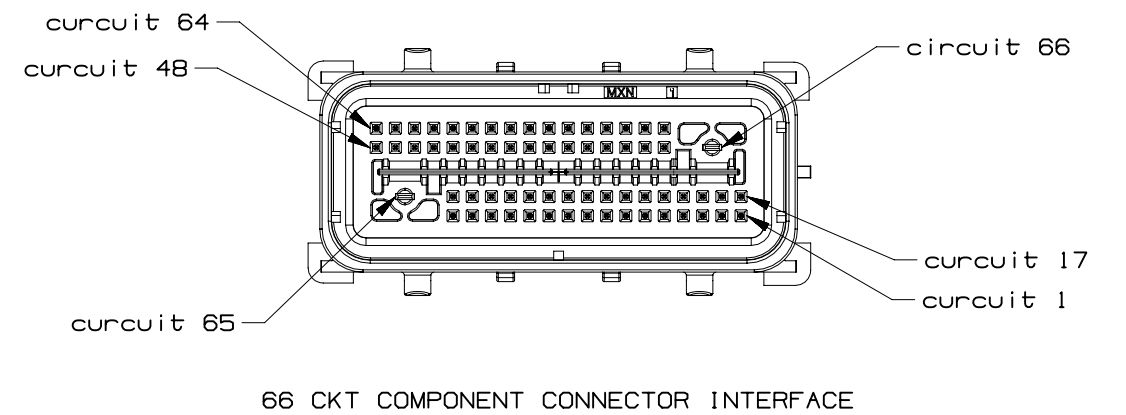
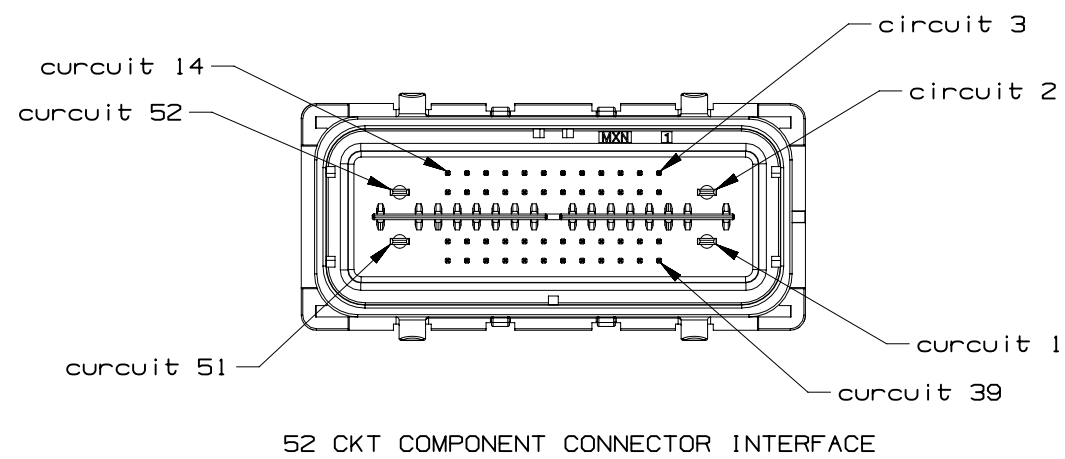
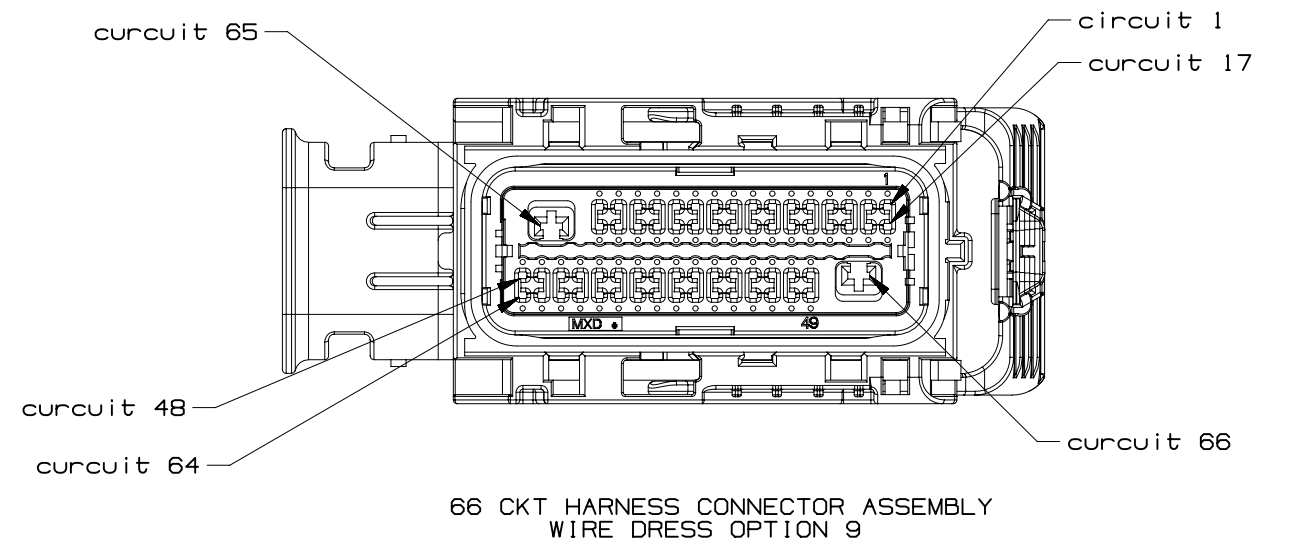
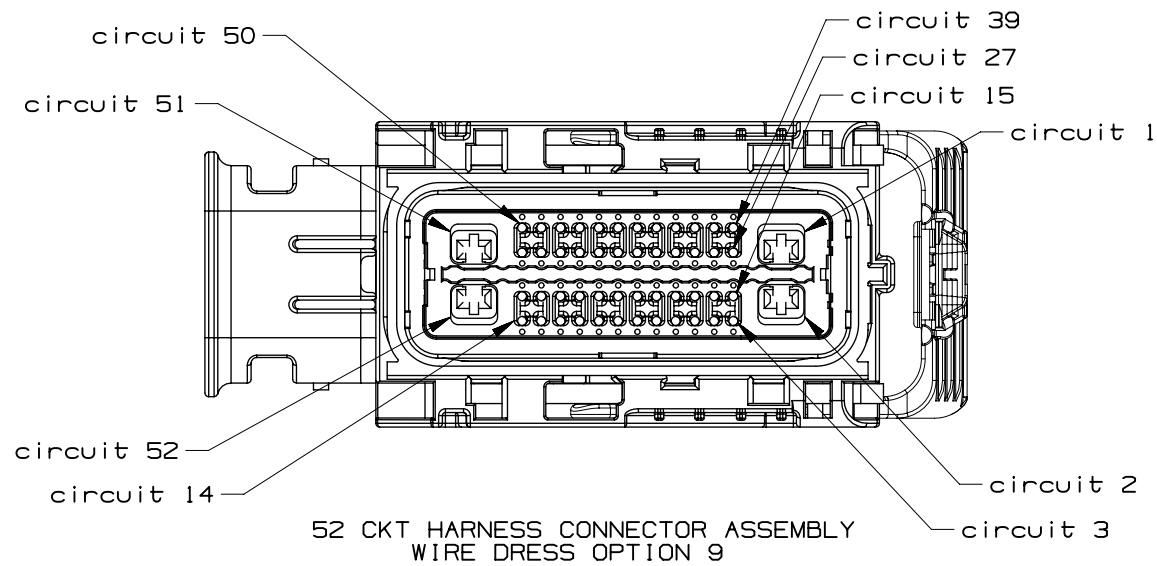
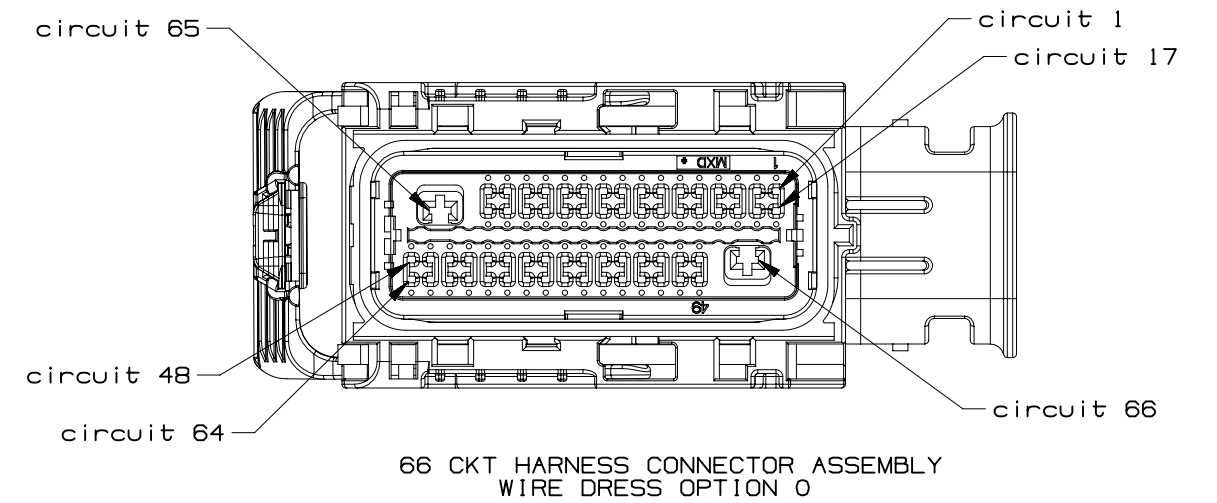
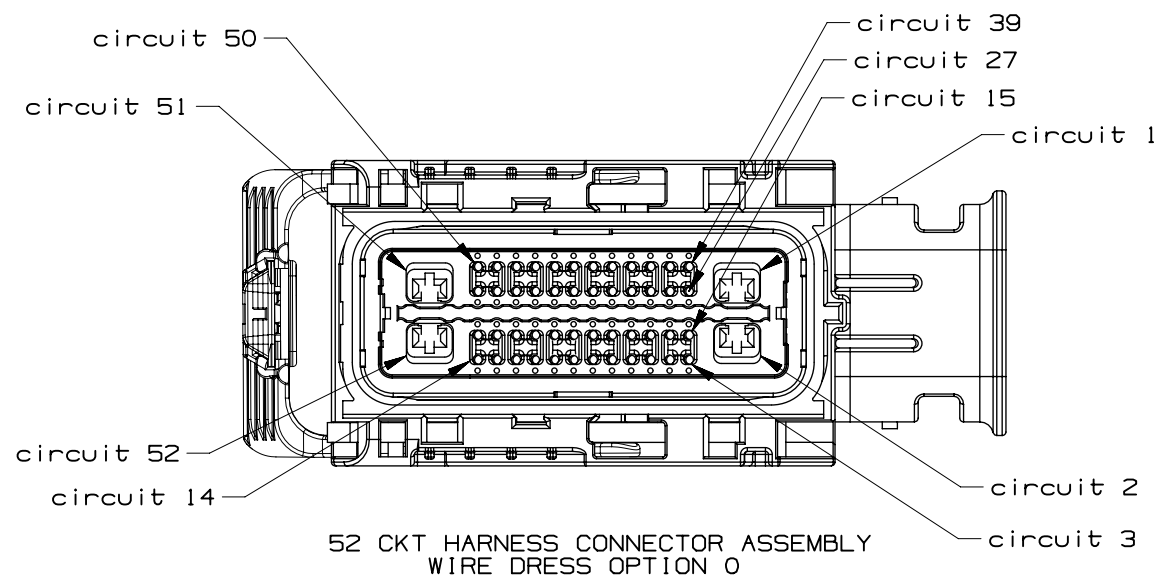


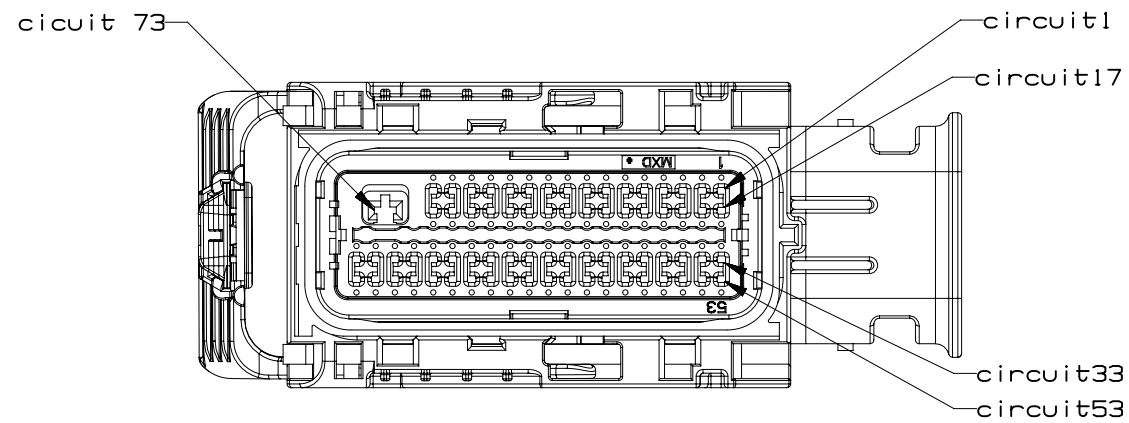
PAGE TITLE
KEY ID REF - WIRE DRESS OPTION 9

DRAWING NUMBER
12672833

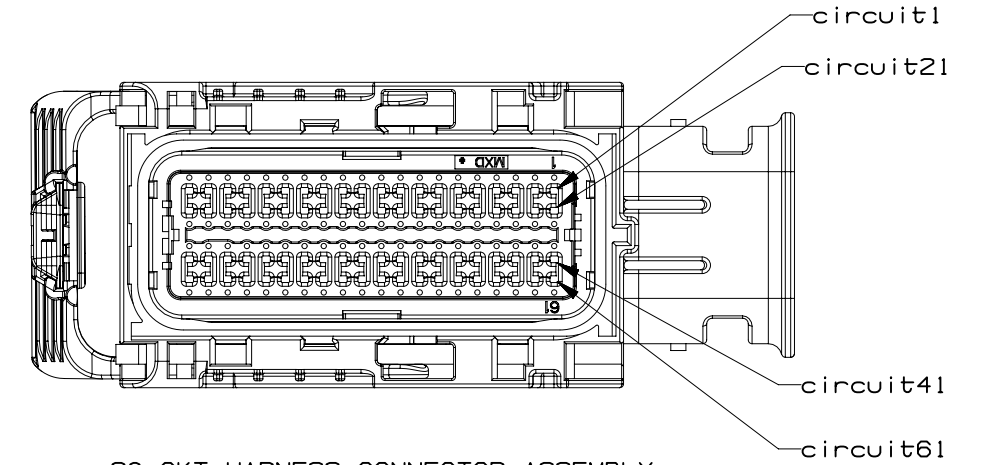
DWG STATUS		
ST	REV	PD1
R	001	

PAGE NUMBER
12 OF 22



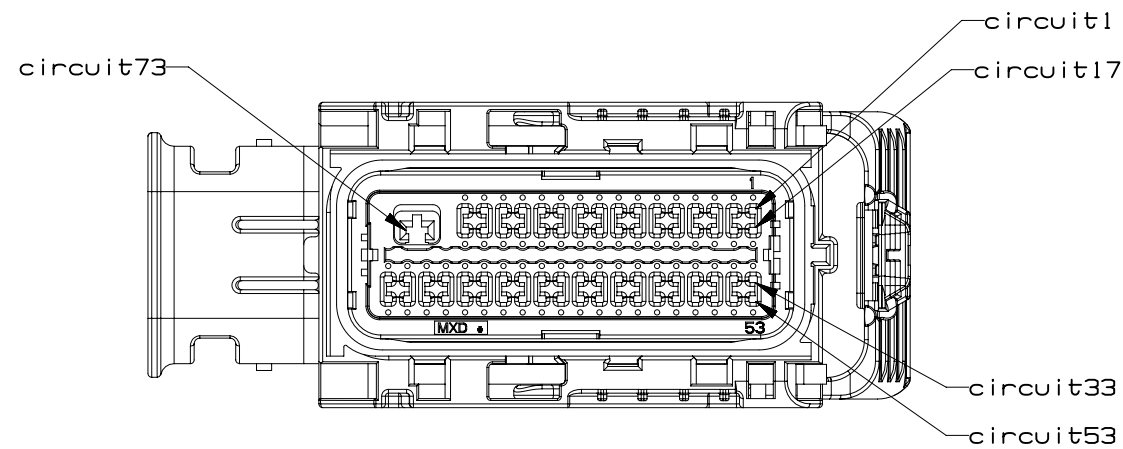


73 CKT HARNESS CONNECTOR ASSEMBLY
WIRE DRESS OPTION 0

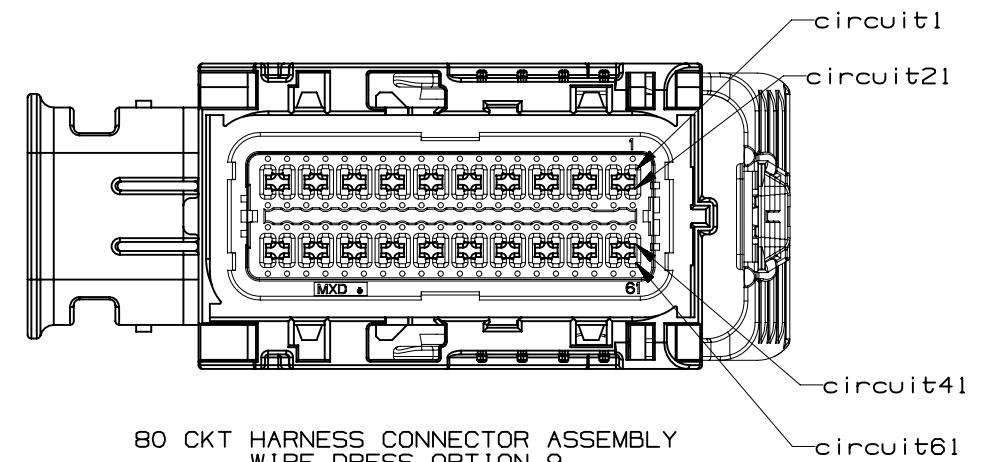


80 CKT HARNESS CONNECTOR ASSEMBLY
WIRE DRESS OPTION 0

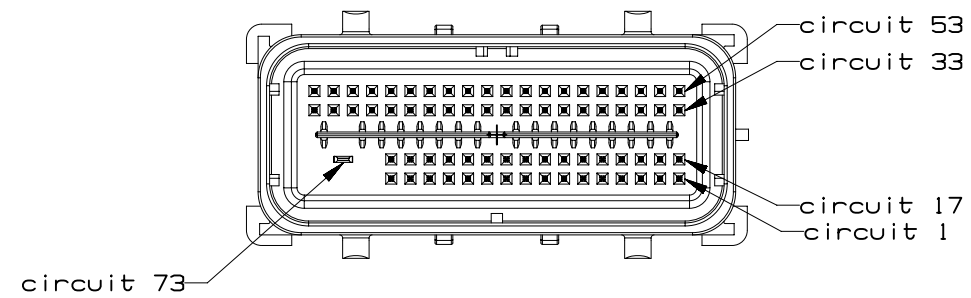
INTERFACE SIDE SHOWN ON ALL VIEWS



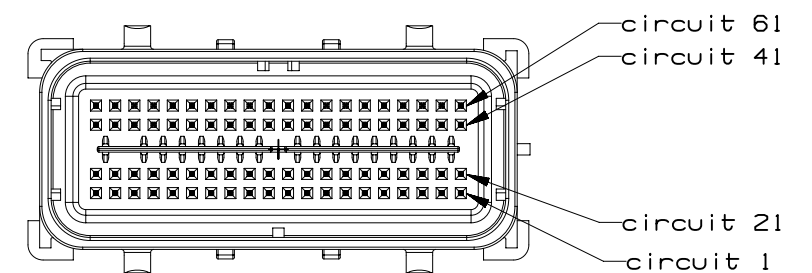
73 CKT HARNESS CONNECTOR ASSEMBLY
WIRE DRESS OPTION 9



80 CKT HARNESS CONNECTOR ASSEMBLY
WIRE DRESS OPTION 9

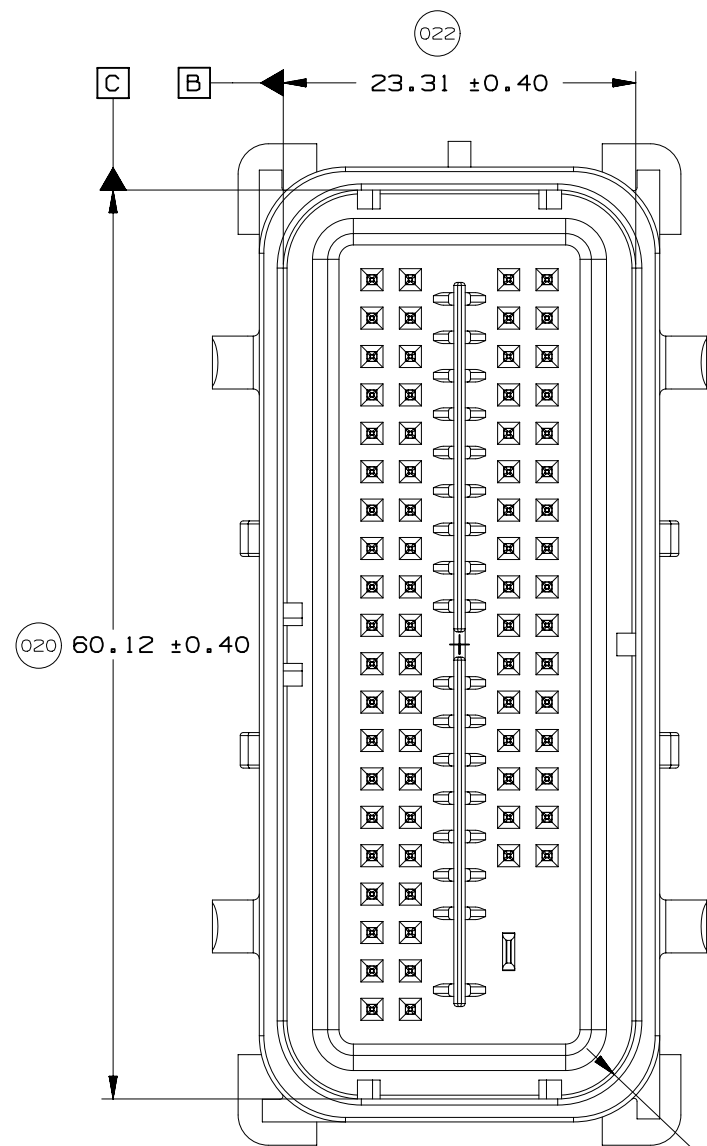
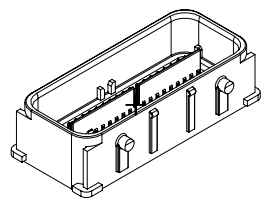


73 CKT COMPONENT CONNECTOR INTERFACE

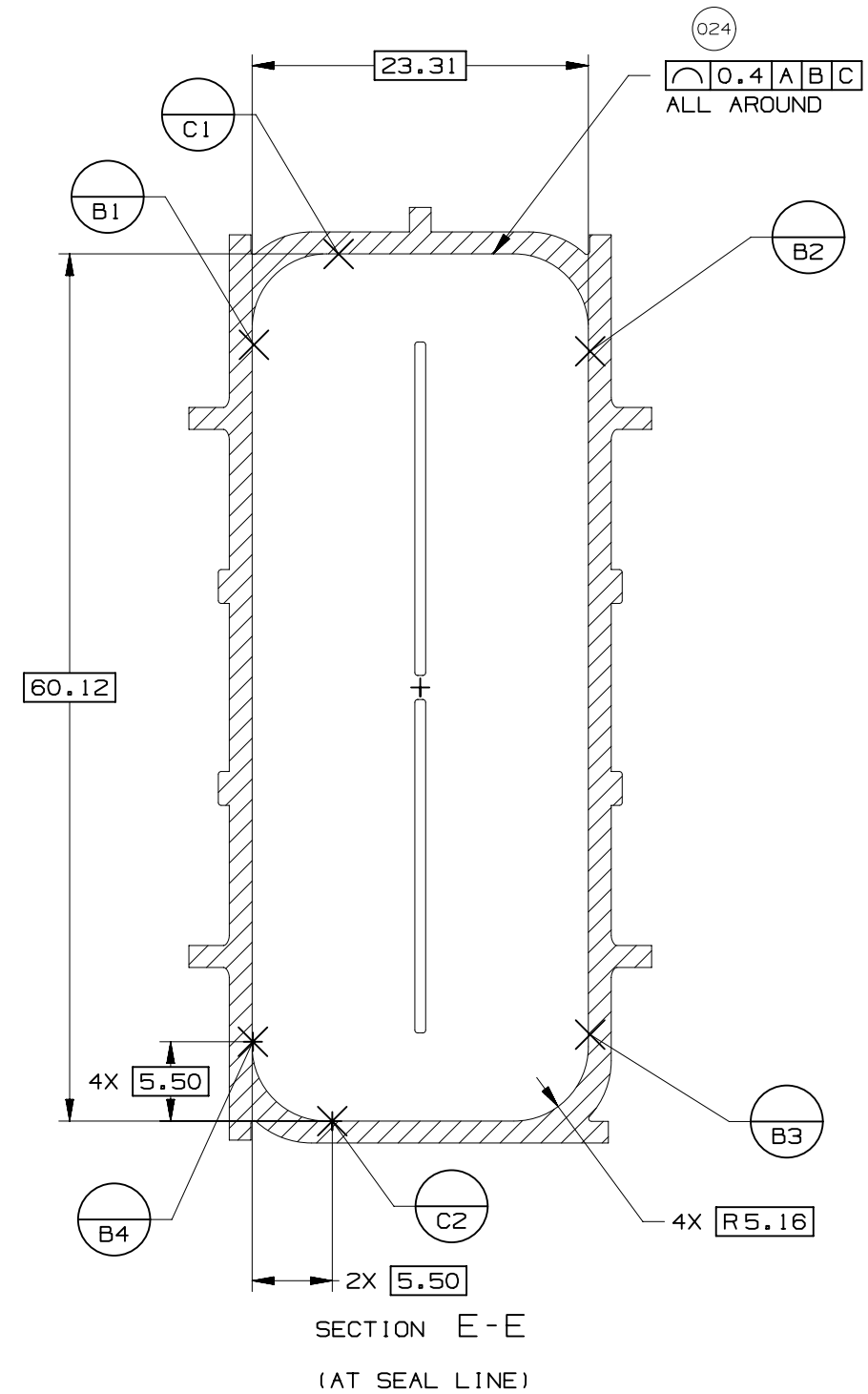
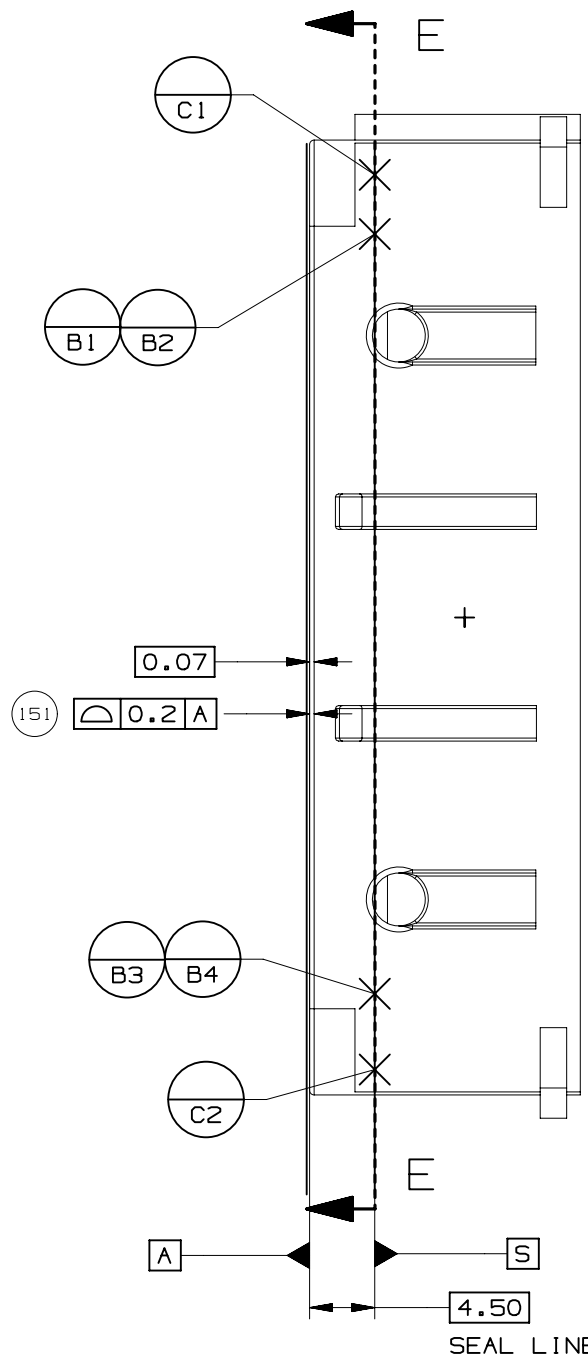


80 CKT COMPONENT CONNECTOR INTERFACE





023 4X R5.16 ± 0.30



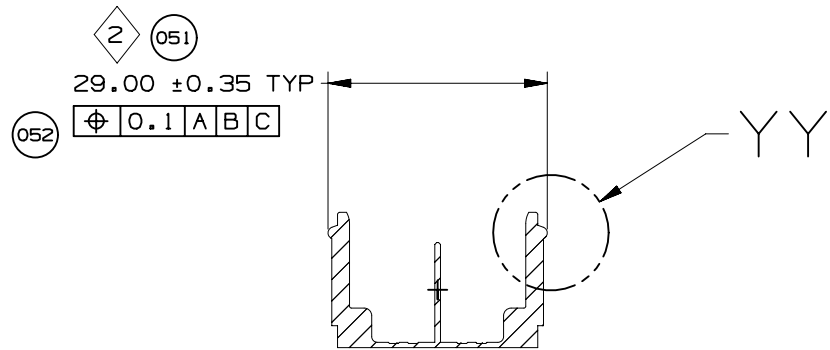
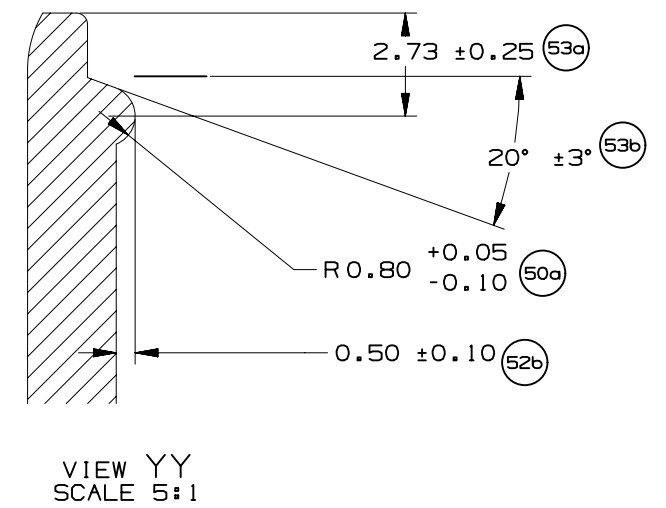
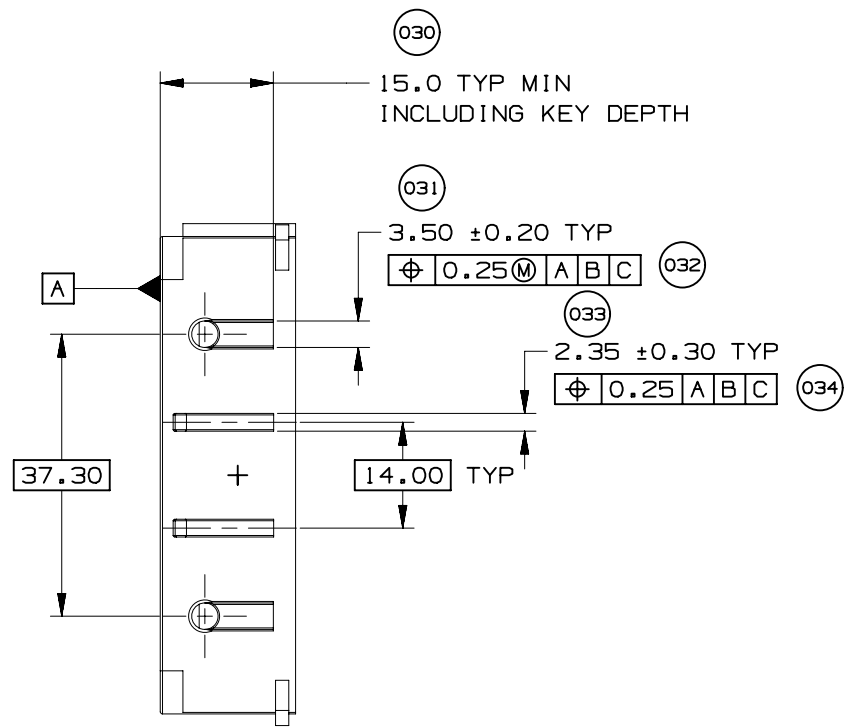
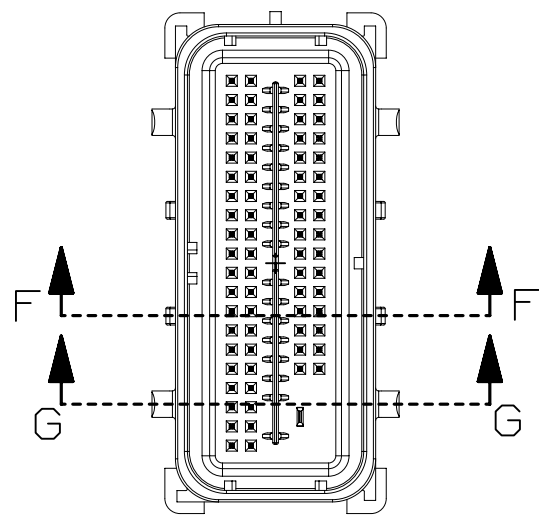
UNLESS SPECIFIED, TOLERANCE OF THE COMPONENT CONNECTOR INTERFACE TO BE $\sqrt{0.13 A B C}$



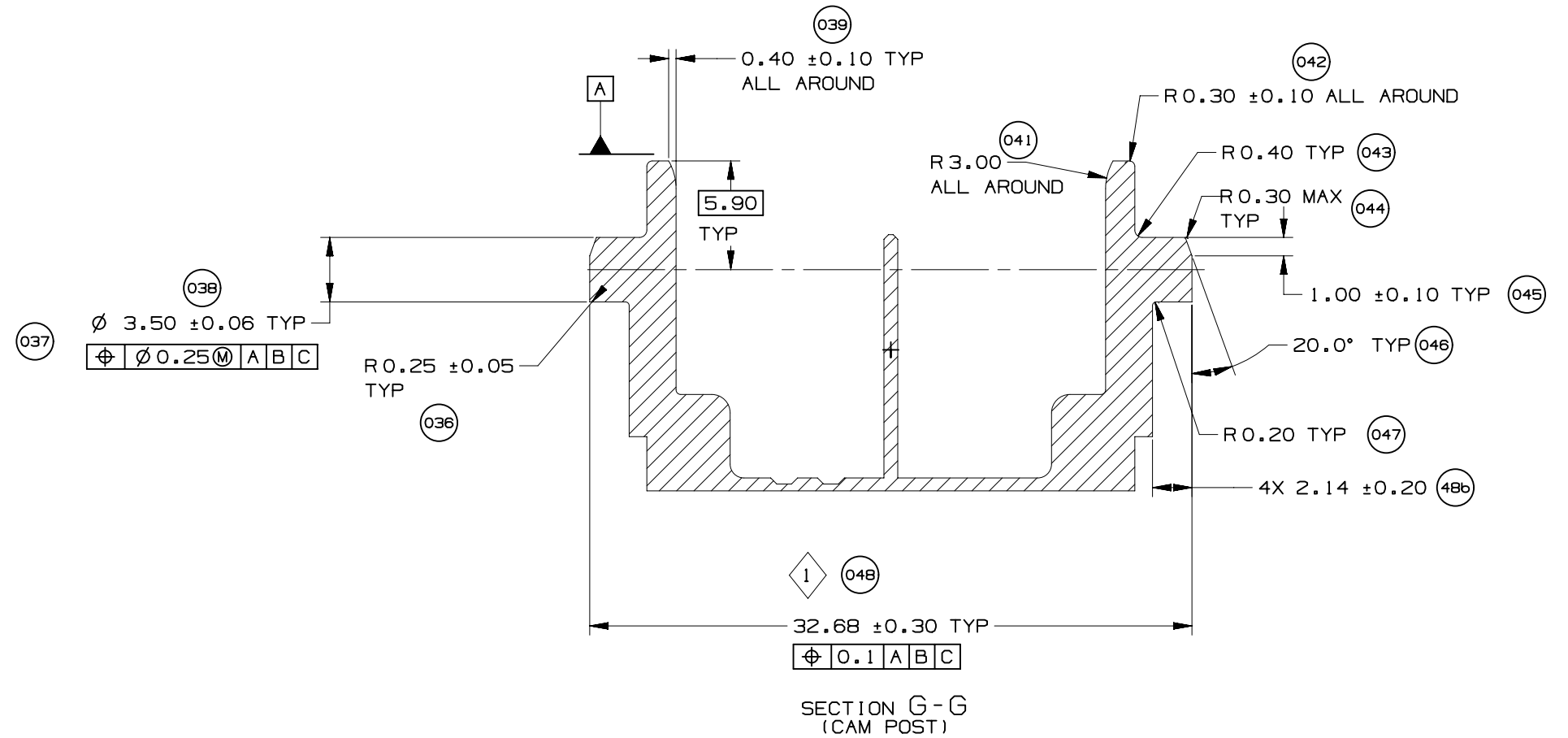
PAGE TITLE
COMPONENT CONNECTOR INTERFACE

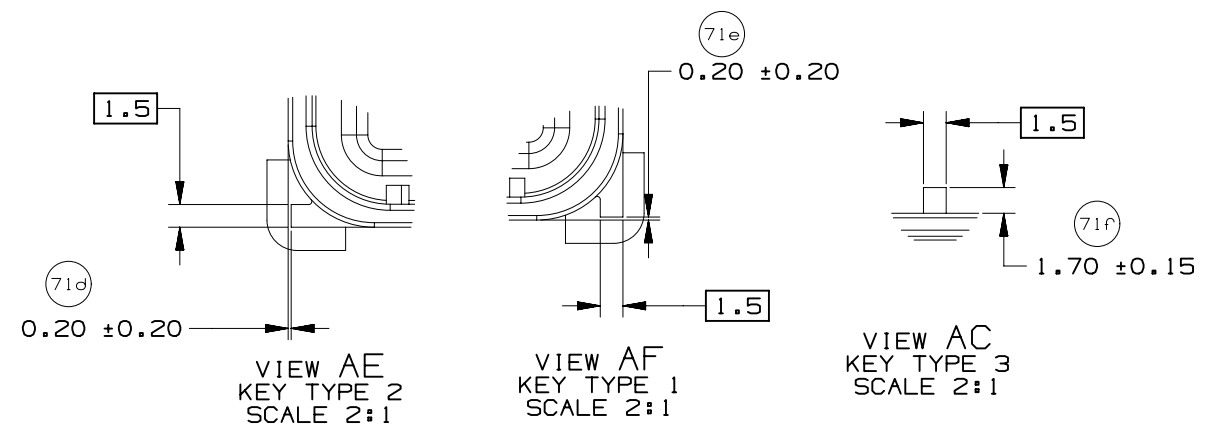
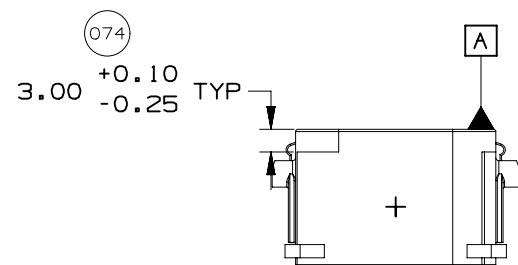
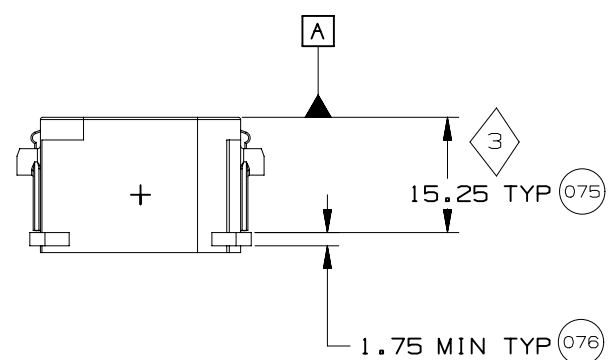
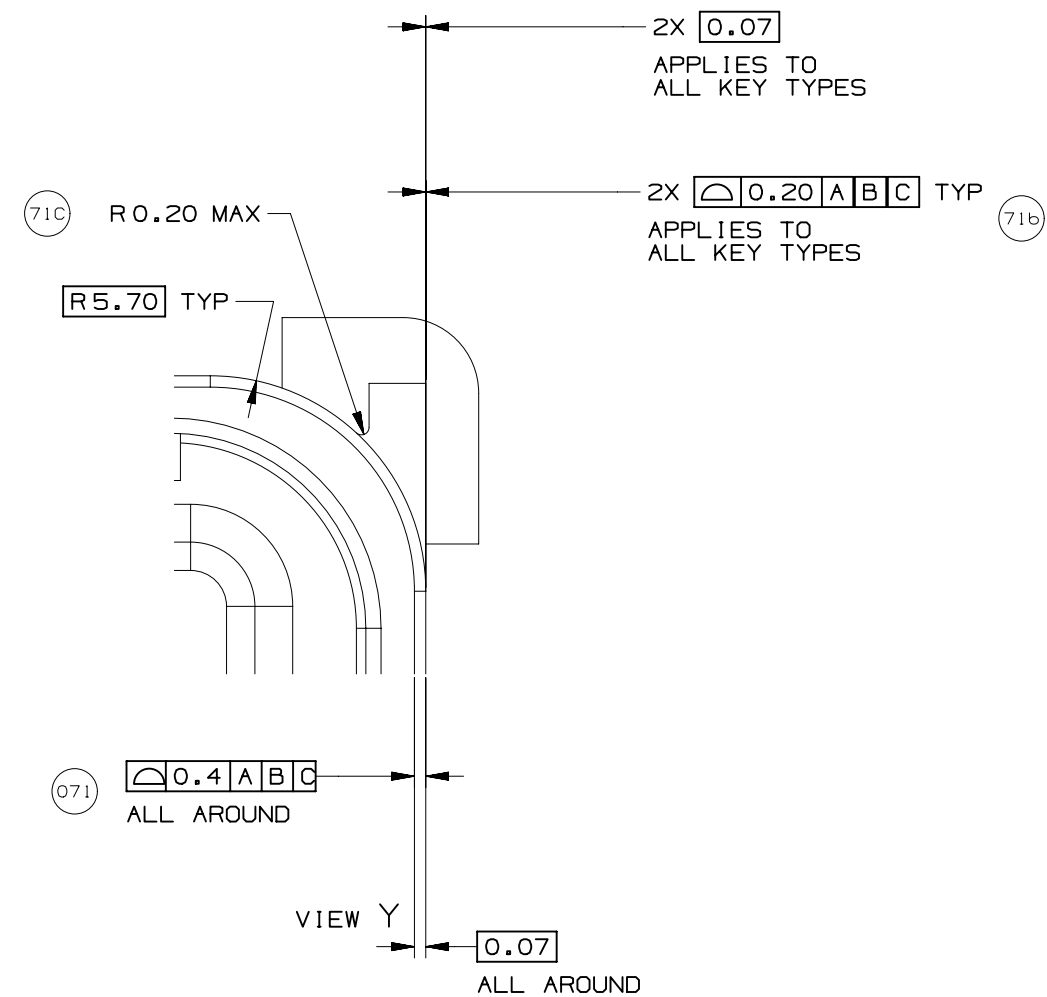
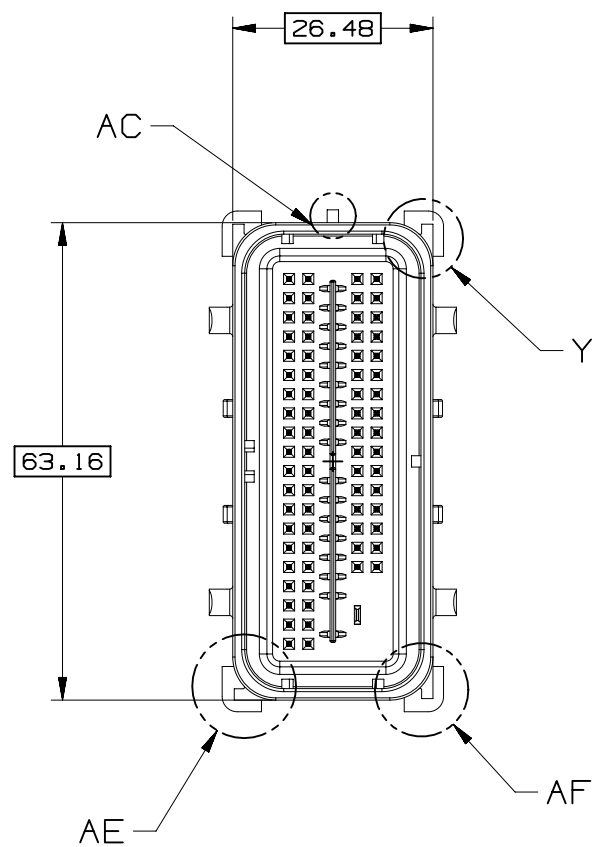
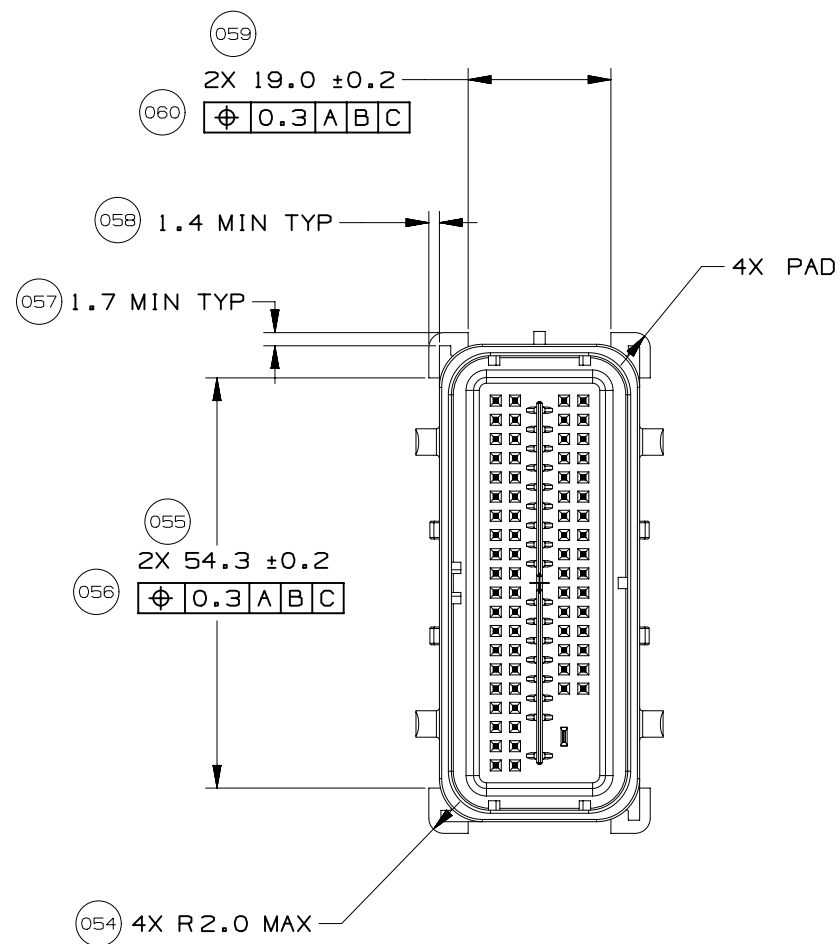
DRAWING NUMBER
12672833

DWG STATUS			PAGE NUMBER
ST	REV	PD1	
R	001		15 OF 22



SECTION F-F
(RELEASE FEATURE)

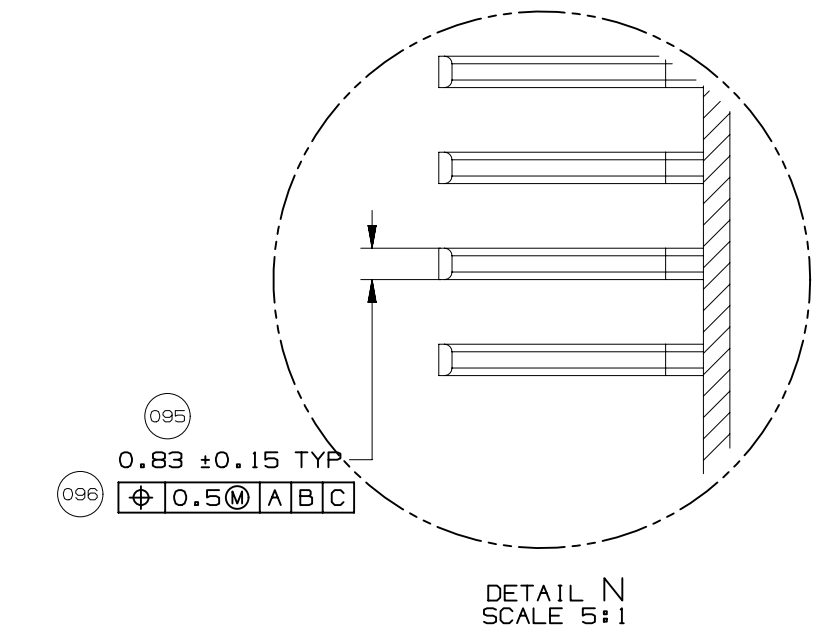
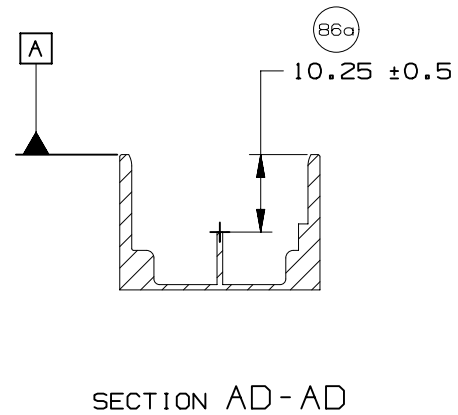
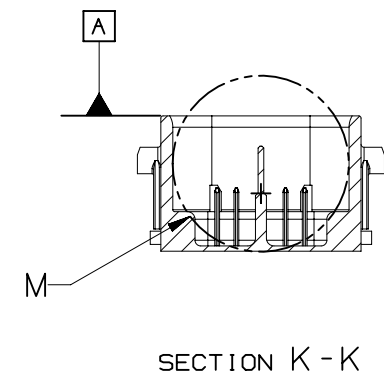
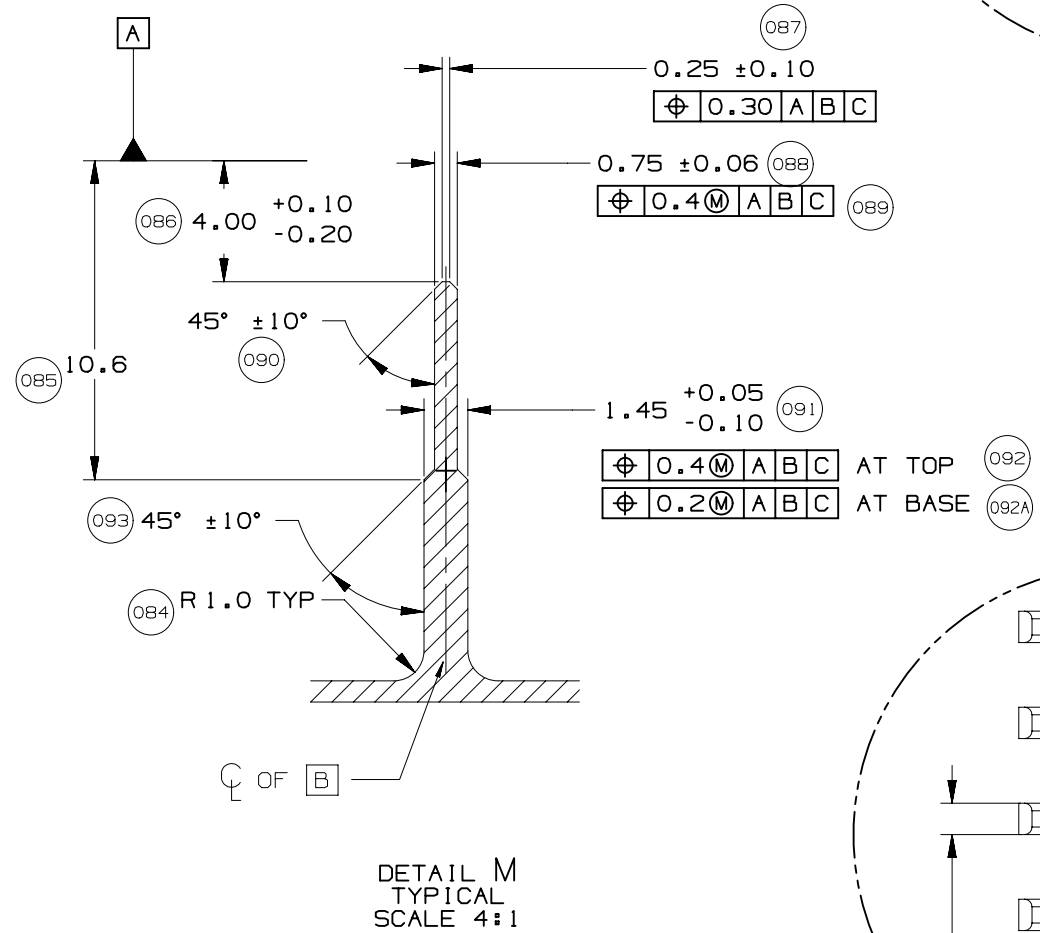
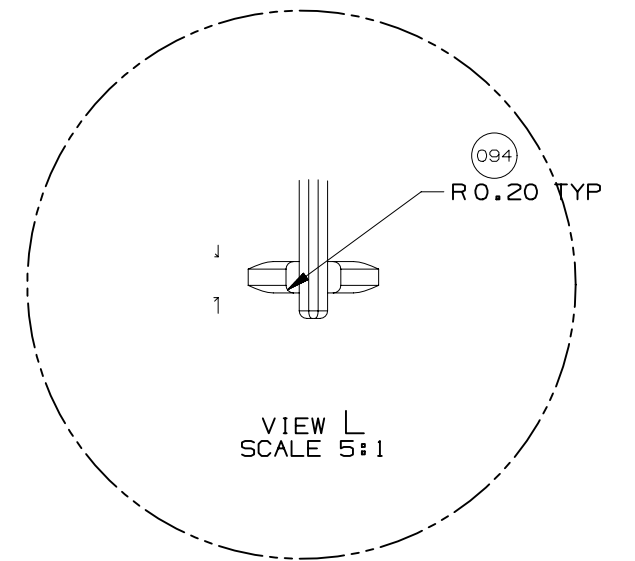
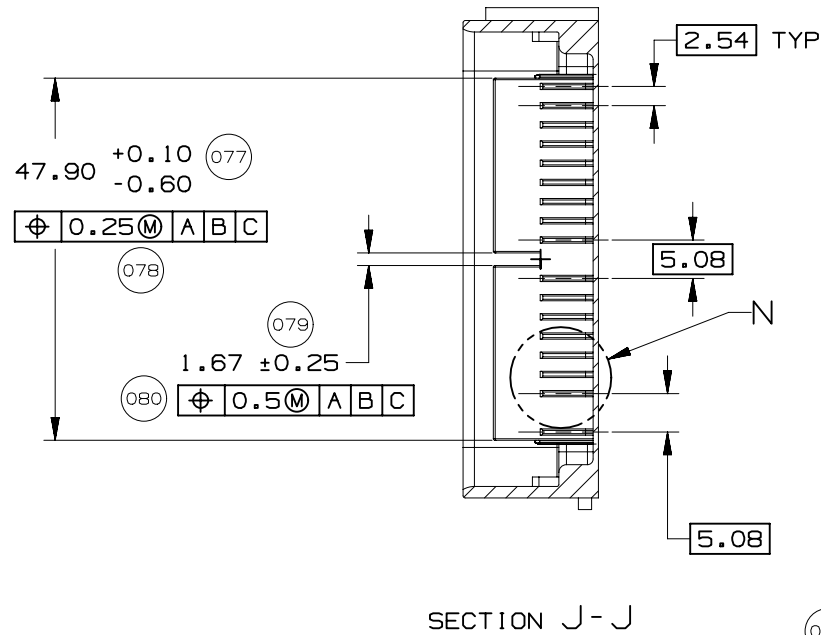
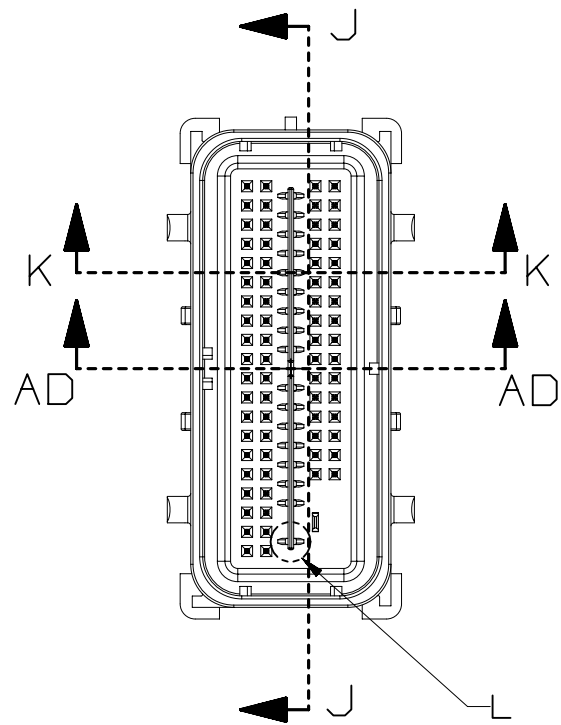


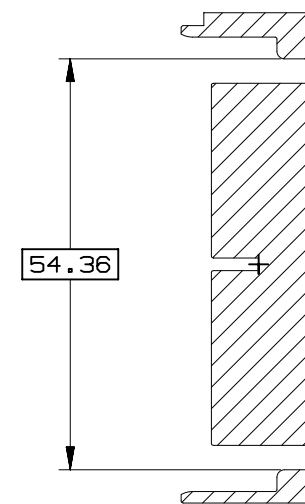
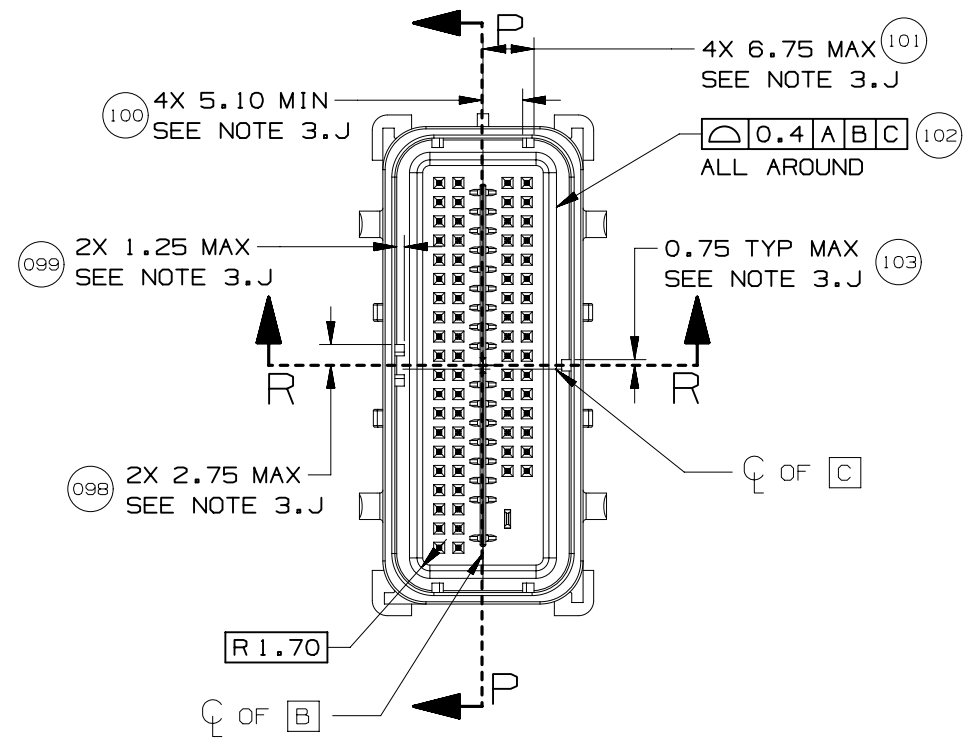


PAGE TITLE
 COMPONENT CONNECTOR INTERFACE

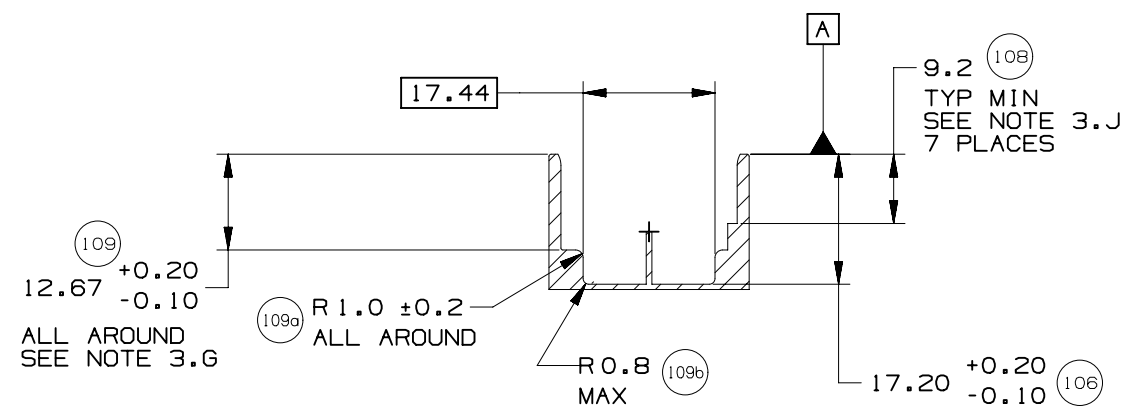
DRAWING NUMBER
 12672833

DWG STATUS			PAGE NUMBER
ST	REV	PD1	
R	001		17 OF 22





SECTION P-P



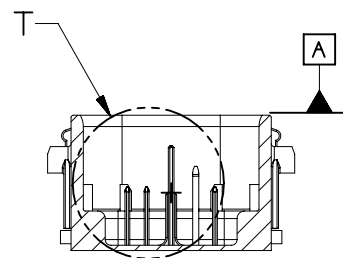
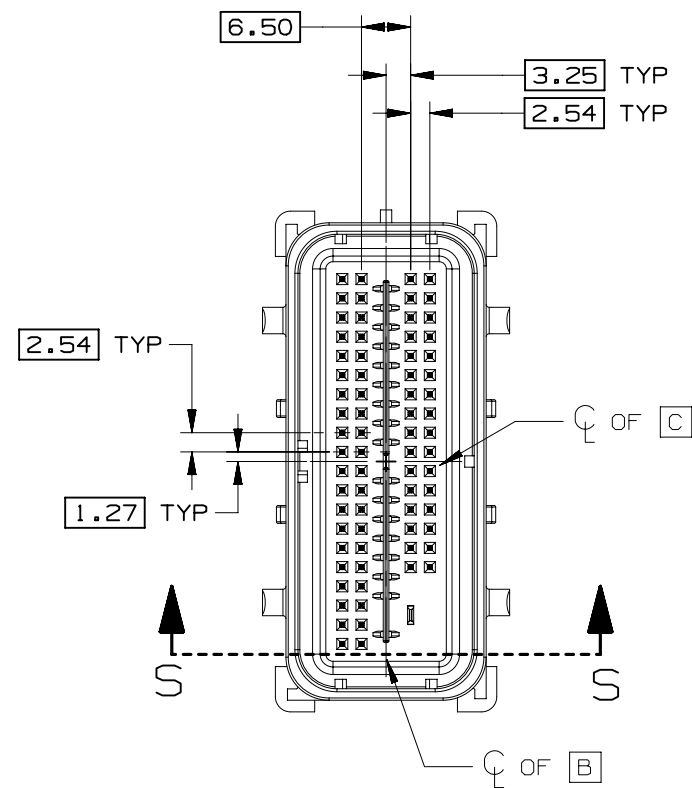
SECTION R-R



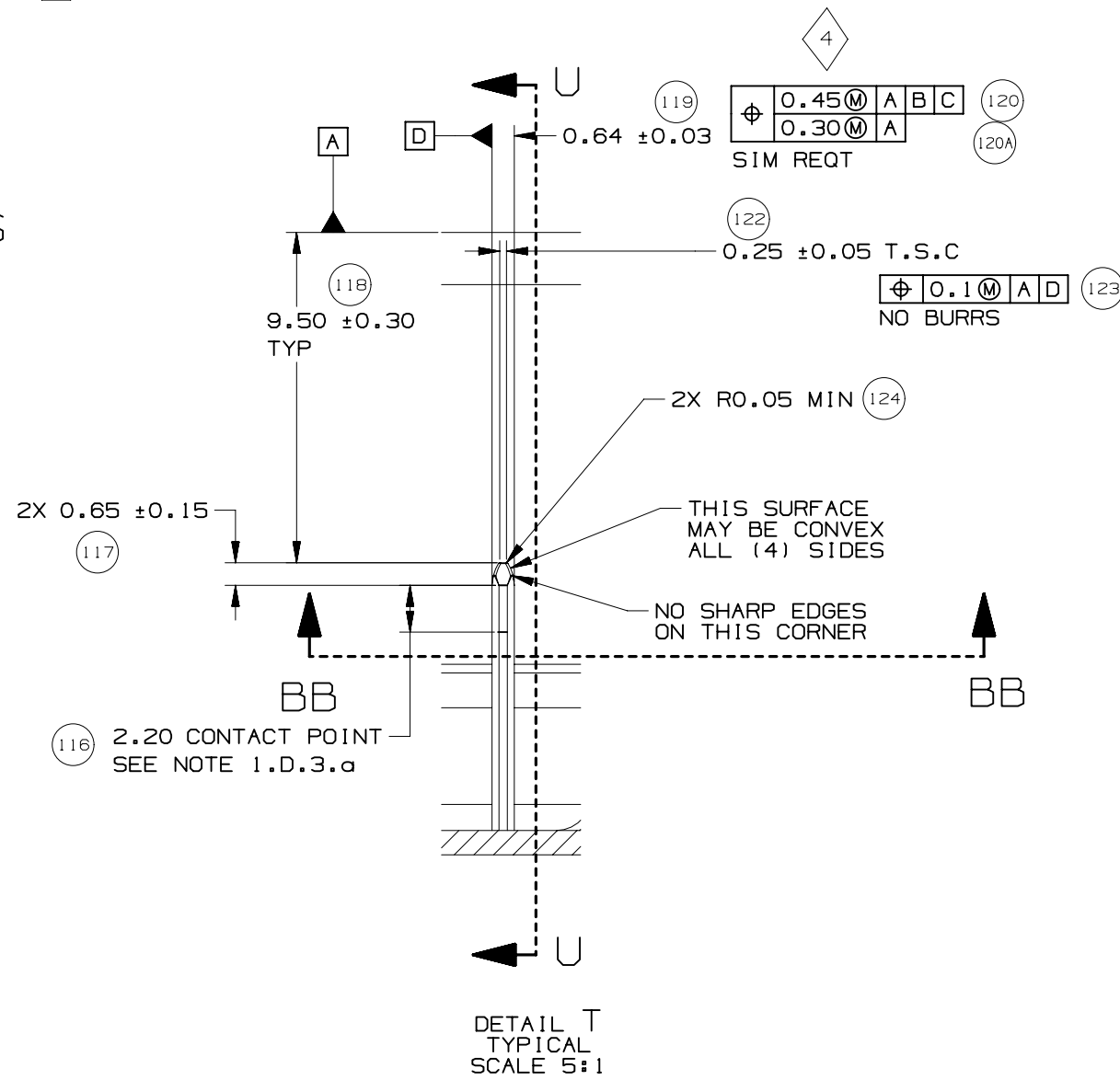
PAGE TITLE
COMPONENT CONNECTOR INTERFACE

DRAWING NUMBER
12672833

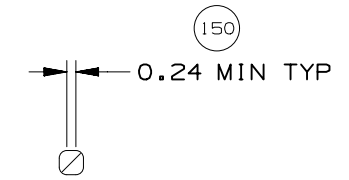
DWG STATUS			PAGE NUMBER	
ST	REV	PD1	19	OF 22
R	001			



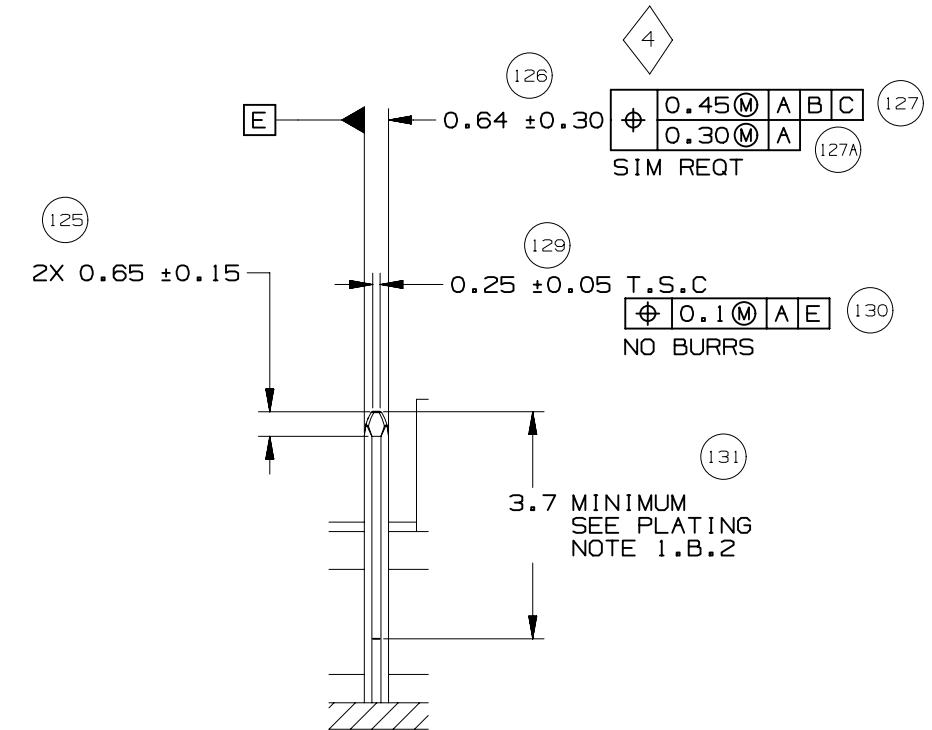
SECTION S-S



DETAIL T
TYPICAL
SCALE 5:1

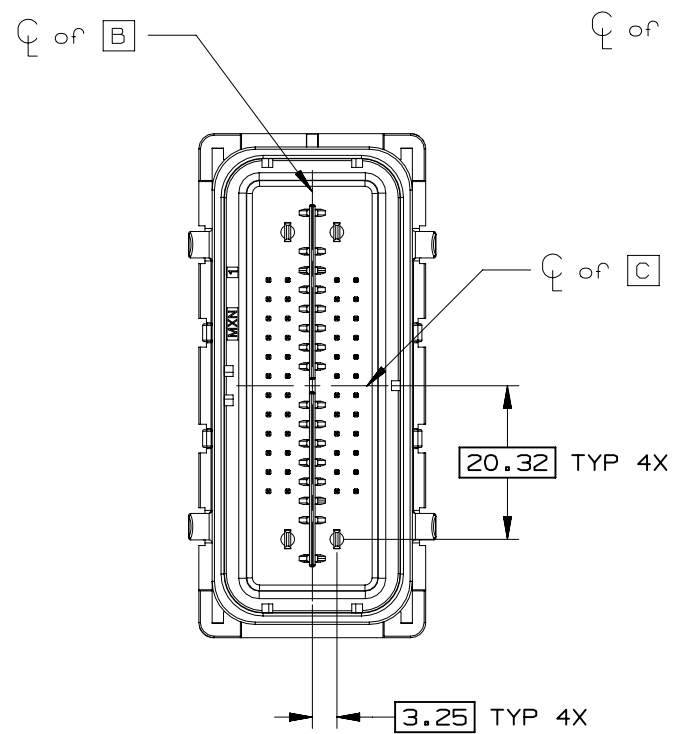


SECTION BB-BB

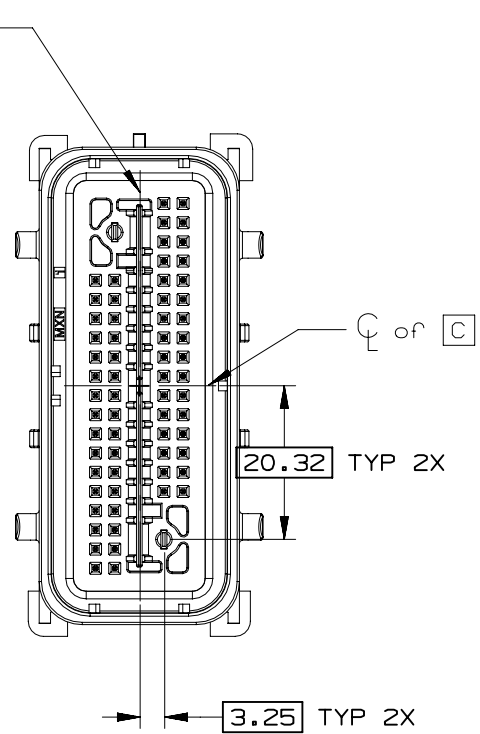


SECTION U-U
TYPICAL

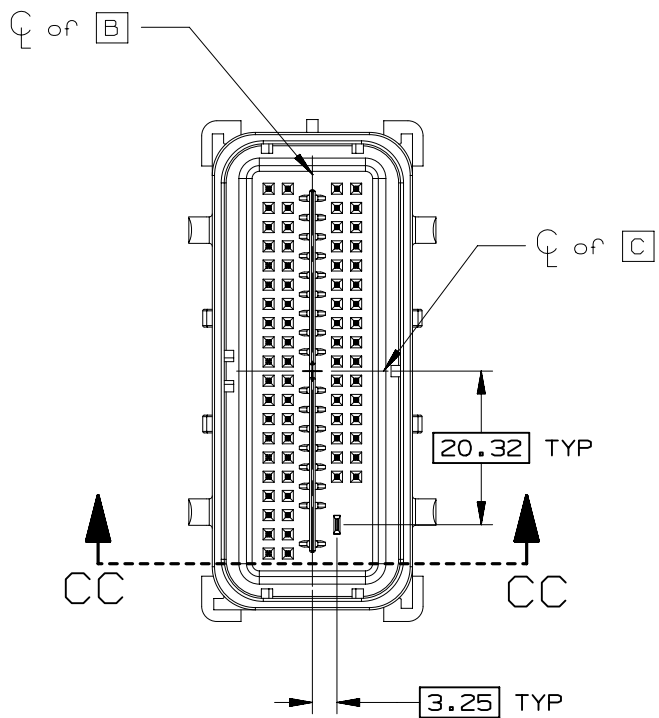




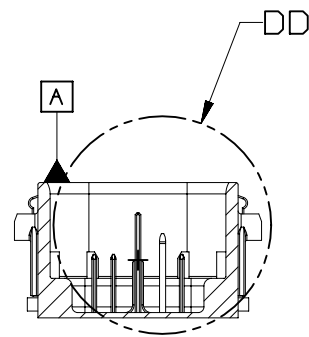
52 CKT COMPONENT
CONNECTOR INTERFACE



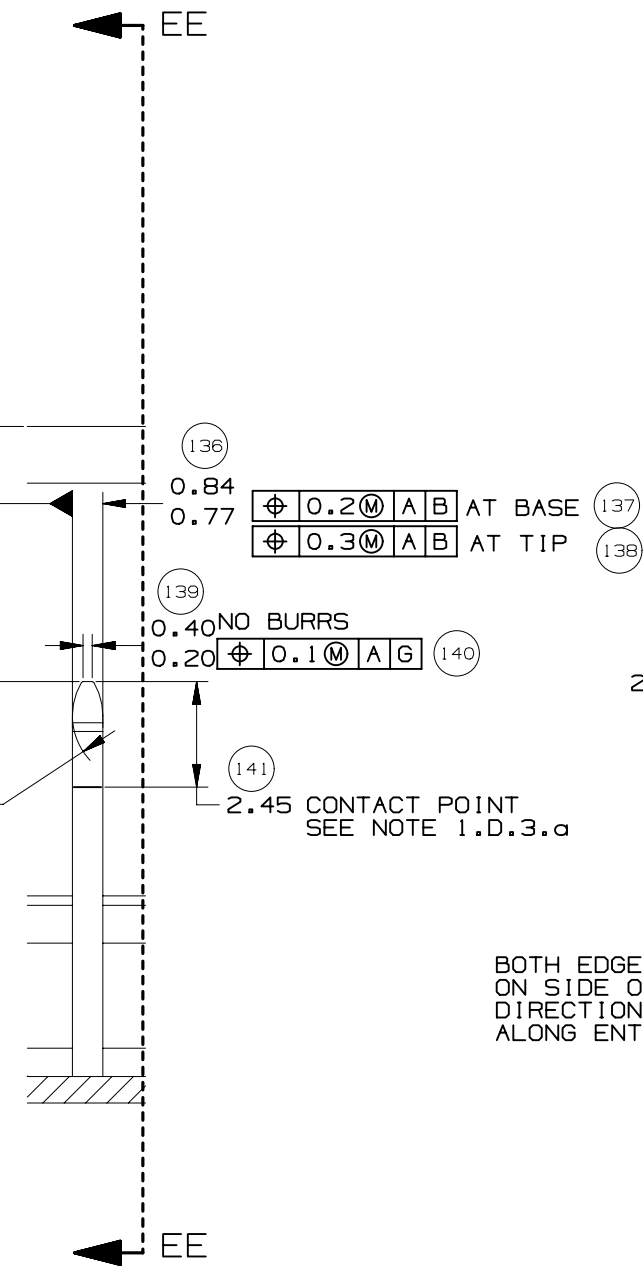
66 CKT COMPONENT
CONNECTOR INTERFACE



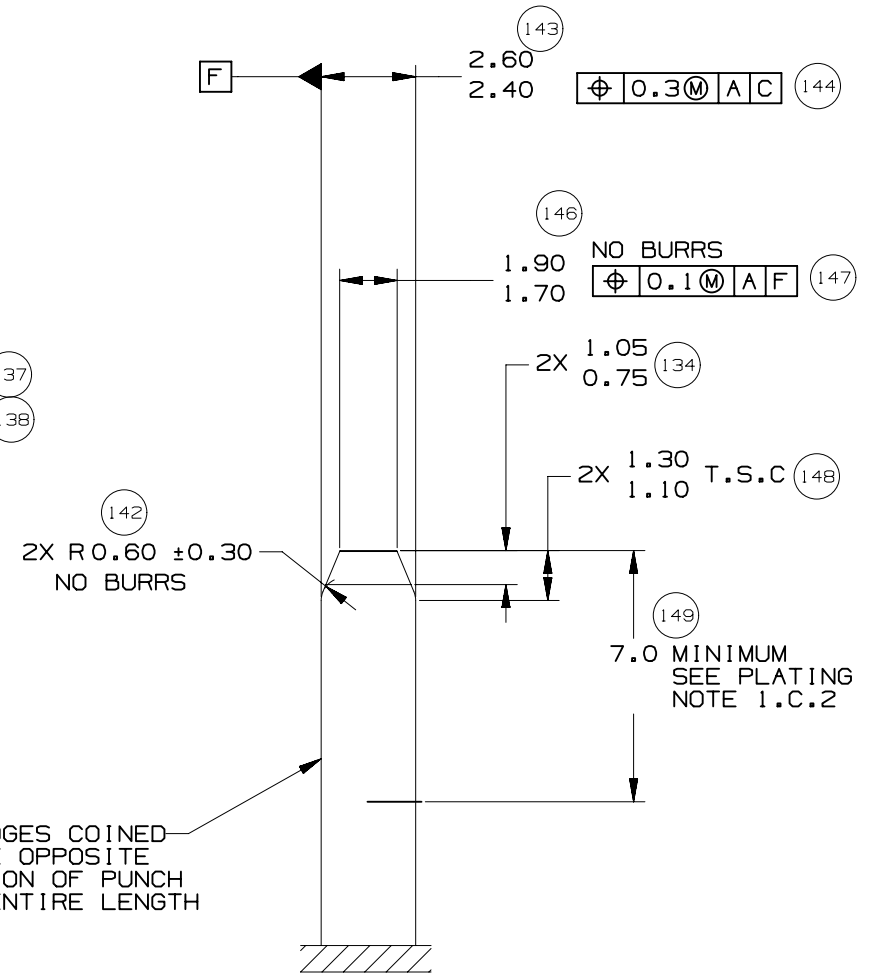
73 CKT COMPONENT
CONNECTOR INTERFACE



SECTION CC-CC



DETAIL DD
TYPICAL
SCALE 5:1



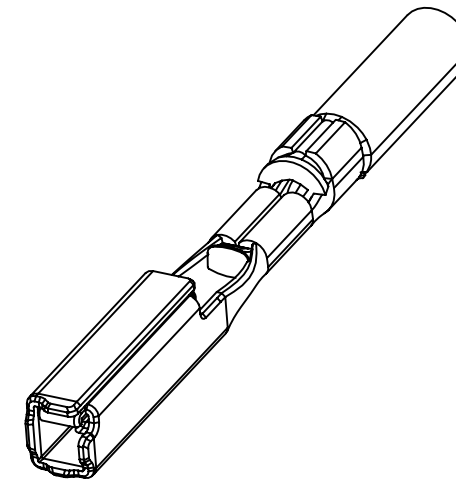
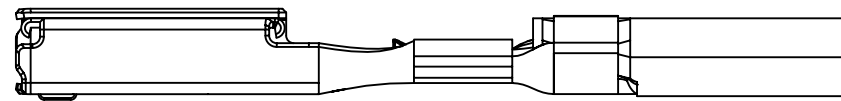
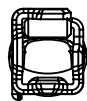
SECTION EE-EE
TYPICAL

BOTH EDGES COINED
ON SIDE OPPOSITE
DIRECTION OF PUNCH
ALONG ENTIRE LENGTH



MOLEX MX64 RECEPTACLE TERMINAL INFORMATION

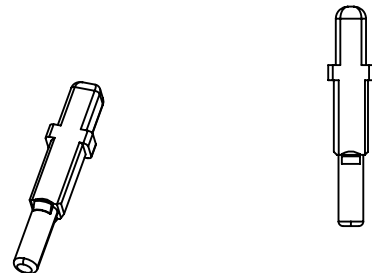
ITEM	MOLEX P/N	GM P/N	WIRE SIZE MM2	TYPE	PLATING	REEL WIND DIRECTION	COMMENTS
1	34736-0025		0.35	ISO	SILVER	LEFT	
2	34736-0026	12672850	0.35	ISO	SILVER	RIGHT	
3	34736-0027		0.5 / 0.75	ISO	SILVER	LEFT	
4	34736-0028	12672851	0.5 / 0.75	ISO	SILVER	RIGHT	



CAVITY PLUGS

ITEM	MFG	MFG P/N	GM P/N RD	SIZE	COLOR	MFG DRAWING	PROD SPEC	APP SPEC	COMMENTS
1	MOLEX	34586-0001	12674820	0.64	NATURAL	SD-34586-001	PS-34566-0000	AS-34566-001	
2	YAZAKI	7158-3114-90	12674821	2.8	BLUE	7158-3114-90	YPES-11-04-062	YPES-15-299	

ITEM 1



ITEM 2

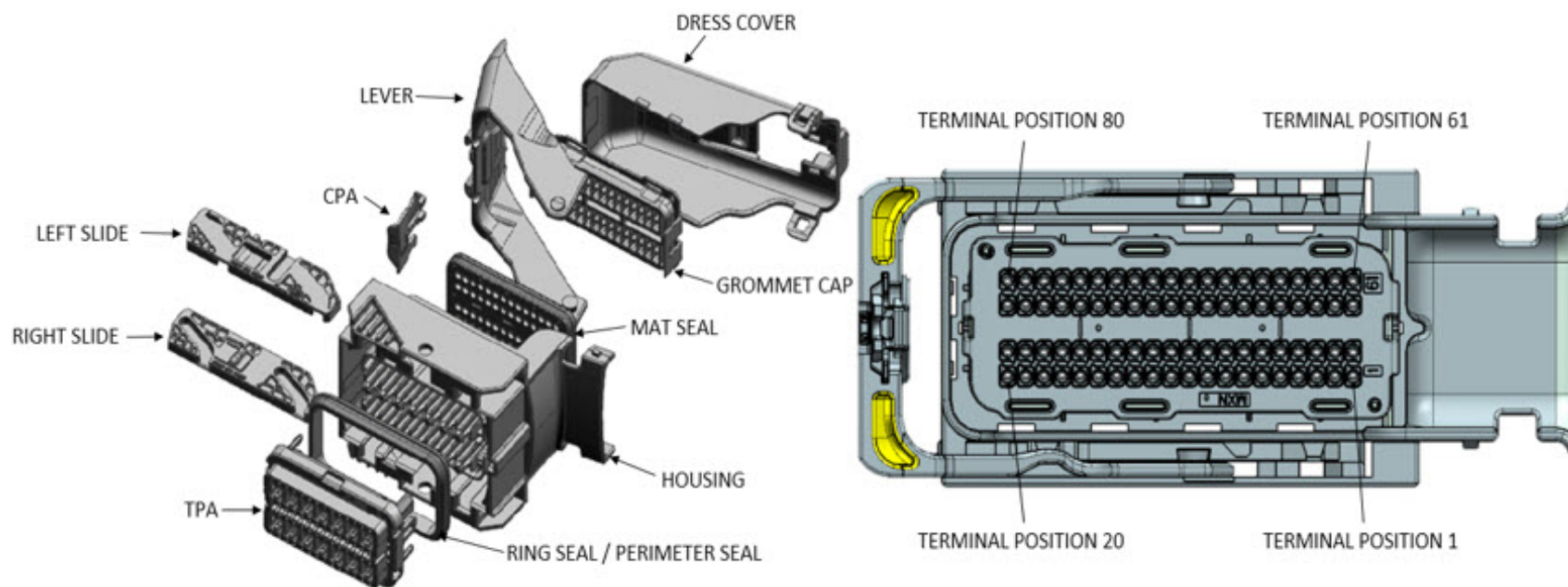


PAGE TITLE
ADDITIONAL COMPONENTS REQUIRED

DRAWING NUMBER
12672833

DWG STATUS		
ST	REV	PD1
R	001	

PAGE NUMBER
22 OF 22



ABBREVIATION	DESCRIPTION	COLOR	MATERIAL
G-CAP-0-P	GROMMET CAP OPTION 0 PLUGGED	BLACK	SPS/PA, G.F 30%
G-CAP-0-O	GROMMET CAP OPTION 0 ALL OPEN	BLACK	SPS/PA, G.F 30%
G-CAP-9-P	GROMMET CAP OPTION 9 PLUGGED	BLACK	SPS/PA, G.F 30%
G-CAP-9-O	GROMMET CAP OPTION 9 ALL OPEN	BLACK	SPS/PA, G.F 30%
C-HSG-G0	CONNECTOR HOUSING KEY G- WDC OPT 0	BLACK	SPS/PA, G.F 30%
C-HSG-H0	CONNECTOR HOUSING KEY H- WDC OPT 0	BLACK	SPS/PA, G.F 30%
C-HSG-J0	CONNECTOR HOUSING KEY J- WDC OPT 0	BLACK	SPS/PA, G.F 30%
C-HSG-K0	CONNECTOR HOUSING KEY K- WDC OPT 0	BLACK	SPS/PA, G.F 30%
C-HSG-L0	CONNECTOR HOUSING KEY L- WDC OPT 0	BLACK	SPS/PA, G.F 30%
C-HSG-M0	CONNECTOR HOUSING KEY M- WDC OPT 0	BLACK	SPS/PA, G.F 30%
C-HSG-G9	CONNECTOR HOUSING KEY G- WDC OPT 9	BLACK	SPS/PA, G.F 30%
C-HSG-H9	CONNECTOR HOUSING KEY H- WDC OPT 9	BLACK	SPS/PA, G.F 30%
C-HSG-J9	CONNECTOR HOUSING KEY J- WDC OPT 9	BLACK	SPS/PA, G.F 30%
C-HSG-K9	CONNECTOR HOUSING KEY K- WDC OPT 9	BLACK	SPS/PA, G.F 30%
C-HSG-L9	CONNECTOR HOUSING KEY L- WDC OPT 9	BLACK	SPS/PA, G.F 30%
C-HSG-M9	CONNECTOR HOUSING KEY M- WDC OPT 9	BLACK	SPS/PA, G.F 30%
TPA-G0	TERMINAL POSITION ASSURANCE (TPA) OPTION 0	BLUE	SPS/PA, G.F 30%
TPA-H0	TERMINAL POSITION ASSURANCE (TPA) OPTION 0	STONE GRAY	SPS/PA, G.F 30%
TPA-J0	TERMINAL POSITION ASSURANCE (TPA) OPTION 0	BLACK	SPS/PA, G.F 30%
TPA-K0	TERMINAL POSITION ASSURANCE (TPA) OPTION 0	BROWN	SPS/PA, G.F 30%
TPA-L0	TERMINAL POSITION ASSURANCE (TPA) OPTION 0	GREEN	SPS/PA, G.F 30%
TPA-M0	TERMINAL POSITION ASSURANCE (TPA) OPTION 0	NATURAL	SPS/PA, G.F 30%
TPA-G9	TERMINAL POSITION ASSURANCE (TPA) OPTION 9	BLUE	SPS/PA, G.F 30%
TPA-H9	TERMINAL POSITION ASSURANCE (TPA) OPTION 9	STONE GRAY	SPS/PA, G.F 30%
TPA-J9	TERMINAL POSITION ASSURANCE (TPA) OPTION 9	BLACK	SPS/PA, G.F 30%
TPA-K9	TERMINAL POSITION ASSURANCE (TPA) OPTION 9	BROWN	SPS/PA, G.F 30%
TPA-L9	TERMINAL POSITION ASSURANCE (TPA) OPTION 9	GREEN	SPS/PA, G.F 30%
TPA-M9	TERMINAL POSITION ASSURANCE (TPA) OPTION 9	NATURAL	SPS/PA, G.F 30%
MAL	MATE ASSIST LEVER	BLACK	SPS/NYLON GF30
RS	SLIDE - RIGHT	BLACK	PBT W/PTFE, G.F. 30%
LS	SLIDE - LEFT	BLACK	PBT W/PTFE, G.F. 30%
CVRBLACK	DRESS COVER BLACK	BLACK	PBT, G.F. 30%
CVRGRAY	DRESS COVER GRAY	GRAY	PBT, G.F. 30%
CVRBLUE	DRESS COVER BLUE	BLUE	PBT, G.F. 30%
CVRBROWN	DRESS COVER BROWN	BROWN	PBT, G.F. 30%
CVRGREEN	DRESS COVER GREEN	GREEN	PBT, G.F. 30%
CVRNATURAL	DRESS COVER NATURAL	NATURAL	PBT, G.F. 30%
CVRYELLOW	DRESS COVER YELLOW	YELLOW	PBT, G.F. 30%
CPA	CONNECTOR POSITION ASSURANCE (CPA)	RED	PPE/PA 10% GF
MSEAL	MAT SEAL	RUST RED	INHERENTLY LUBRICATED SILICONE RUBBER
RSEAL	RING SEAL	RUST RED	INHERENTLY LUBRICATED SILICONE RUBBER

FOR ADDITIONAL INFORMATION SEE SD-34566-001

ASSEMBLY DESCRIPTION	ASSEMBLY PART NUMBER	CONNECTOR HOUSING	GROMMET CAP	TPA	RIGHT SLIDE	LEFT SLIDE	MATE ASSIST LEVER	CPA	MAT SEAL	RING SEAL	BLOCKED TERMINALS																				STATUS	COMMENTS	INTEGRAL COMPONENTS SOLD SEPARATELY DRESS COVER
											CAVITY WITH A NUMBER INDICATES BLOCKED TERMINAL POSITION																						
											CAVITY WITHOUT A NUMBER INDICATES OPEN TERMINAL POSITION																						
MX123 CONN ASSY 80 CKT BLU OPT0 KEY G/40	345660014	C-HSG-G0	G-CAP-0-P	TPA-G0	RS	LS	MAL	CPA	MSEAL	RSEAL	-	-	-	-	76	-	74	73	72	71	70	69	68	67	-	-	-	63	-	61	SALEABLE		345650003
MX123 CONN ASSY 80 CKT BLU OPT0 KEY G/0	345660024	C-HSG-G0	G-CAP-0-P	TPA-G0	RS	LS	MAL	CPA	MSEAL	RSEAL	80	79	78	77	76	75	74	73	72	71	70	69	68	67	66	65	64	63	62	61	SALEABLE		345650003
MX123 CONN ASSY 80 CKT BLU OPT0 KEY G/39	345660034	C-HSG-G0	G-CAP-0-P	TPA-G0	RS	LS	MAL	CPA	MSEAL	RSEAL	-	-	-	77	76	-	74	73	72	71	70	69	68	67	-	-	-	63	-	61	SALEABLE		345650003
MX123 CONN ASSY 80 CKT BLU OPT0 KEY G/39	345660054	C-HSG-G0	G-CAP-0-P	TPA-G0	RS	LS	MAL	CPA	MSEAL	RSEAL	-	-	-	-	76	-	74	73	72	71	70	69	68	67	-	-	-	63	-	61	SALEABLE		345650003

ASSEMBLY DESCRIPTION	ASSEMBLY PART NUMBER	CONNECTOR HOUSING	GROMMET CAP	TPA	RIGHT SLIDE	LEFT SLIDE	MATE ASSIST LEVER	CPA	MAT SEAL	RING SEAL	BLOCKED TERMINALS																				STATUS	COMMENTS	INTEGRAL COMPONENTS SOLD SEPARATELY DRESS COVER
											CAVITY WITH A NUMBER INDICATES BLOCKED TERMINAL POSITION CAVITY WITHOUT A NUMBER INDICATES OPEN TERMINAL POSITION																						
											-	-	-	-	76	-	74	73	72	71	70	69	68	67	-	-	-	63	-	61			
MX123 CONN ASSY 80 CKT BLU OPT0 KEY G/42	345660164	C-HSG-G0	G-CAP-0-P	TPA-G0	RS	LS	MAL	CPA	MSEAL	RSEAL	60	-	58	-	56	55	54	-	52	51	50	49	48	47	-	45	-	-	-	-	SALEABLE		345650003
MX123 CONN ASSY 80 CKT GRY OPT0 KEY H/5	345660414	C-HSG-H0	G-CAP-0-P	TPA-H0	RS	LS	MAL	CPA	MSEAL	RSEAL	80	79	78	77	76	75	74	73	72	71	70	69	68	67	66	65	64	63	62	61	SALEABLE		345650003
MX123 CONN ASSY 80 CKT GRY OPT0 KEY H/45	345660424	C-HSG-H0	G-CAP-0-P	TPA-H0	RS	LS	MAL	CPA	MSEAL	RSEAL	80	79	78	77	76	-	-	-	-	71	70	-	-	67	66	-	-	63	-	-	SALEABLE		345650003
MX123 CONN ASSY 80 CKT BLU OPT0 KEY G/10	345660434	C-HSG-G0	G-CAP-0-P	TPA-G0	RS	LS	MAL	CPA	MSEAL	RSEAL	80	79	78	77	76	75	74	73	72	71	70	69	68	67	66	65	64	-	62	-	SALEABLE		345650003
MX123 CONN ASSY 80 CKT BLU OPT0 KEY G/53	345660444	C-HSG-G0	G-CAP-0-P	TPA-G0	RS	LS	MAL	CPA	MSEAL	RSEAL	-	-	-	-	76	-	-	73	-	71	-	-	-	-	-	-	64	-	-	-	SALEABLE		345650003
MX123 CONN ASSY 80 CKT GRY OPT9 KEY H/7	345660454	C-HSG-H9	G-CAP-9-P	TPA-H9	RS	LS	MAL	CPA	MSEAL	RSEAL	80	79	78	77	76	75	74	73	72	71	70	69	68	67	66	65	64	63	62	61	SALEABLE		345650003
MX123 CONN ASSY 80 CKT GRY OPT0 KEY H/62	345660464	C-HSG-H0	G-CAP-0-P	TPA-H0	RS	LS	MAL	CPA	MSEAL	RSEAL	-	-	58	57	56	-	-	-	-	-	-	-	-	-	-	-	-	-	-	-	SALEABLE		345650003
MX123 CONN ASSY 80 CKT BLU OPT9 KEY G/54	345660474	C-HSG-G9	G-CAP-9-P	TPA-G9	RS	LS	MAL	CPA	MSEAL	RSEAL	-	-	58	57	-	55	-	-	-	-	-	49	48	47	46	-	-	-	-	41	SALEABLE		345650003
MX123 CONN ASSY 80 CKT BLU OPT0 KEY G/44	345660494	C-HSG-G0	G-CAP-0-P	TPA-G0	RS	LS	MAL	CPA	MSEAL	RSEAL	-	-	-	-	76	-	74	73	72	71	70	69	68	67	-	-	-	63	-	61	SALEABLE		345650003
MX123 CONN ASSY 80 CKT BLU OPT0 KEY G/43	345660504	C-HSG-G0	G-CAP-0-P	TPA-G0	RS	LS	MAL	CPA	MSEAL	RSEAL	60	-	58	-	56	55	54	53	52	51	50	49	48	47	-	45	-	-	-	-	SALEABLE		345650003
MX123 CONN ASSY 80 CKT GRY OPT0 KEY H/7	345660554	C-HSG-H0	G-CAP-0-P	TPA-H0	RS	LS	MAL	CPA	MSEAL	RSEAL	80	79	78	77	76	75	74	73	72	71	70	69	68	67	66	65	64	63	62	61	SALEABLE		345650003
MX123 CONN ASSY 80 CKT GRY OPT0 KEY H/39	345660564	C-HSG-H0	G-CAP-0-P	TPA-H0	RS	LS	MAL	CPA	MSEAL	RSEAL	80	79	-	-	-	-	-	-	-	-	-	-	-	-	66	-	64	-	-	-	SALEABLE		345650003

ASSEMBLY DESCRIPTION	ASSEMBLY PART NUMBER	CONNECTOR HOUSING	GROMMET CAP	TPA	RIGHT SLIDE	LEFT SLIDE	MATE ASSIST LEVER	CPA	MAT SEAL	RING SEAL	BLOCKED TERMINALS																				STATUS	COMMENTS	INTEGRAL COMPONENTS SOLD SEPARATELY DRESS COVER
											CAVITY WITH A NUMBER INDICATES BLOCKED TERMINAL POSITION CAVITY WITHOUT A NUMBER INDICATES OPEN TERMINAL POSITION																						
											1	2	3	4	5	6	7	8	9	10	11	12	13	14	15	16	17	18	19	20			
MX123 CONN ASSY 80 CKT BLU OPT0 KEY G/43	345660574	C-HSG-G0	G-CAP-0-P	TPA-G0	RS	LS	MAL	CPA	MSEAL	RSEAL	-	-	-	-	-	-	74	73	72	71	-	69	-	-	-	-	64	63	-	61	SALEABLE		345650003
MX123 CONN ASSY 80 CKT BLU OPT9 KEY G/69	345660584	C-HSG-G9	G-CAP-9-P	TPA-G9	RS	LS	MAL	CPA	MSEAL	RSEAL	-	-	-	-	-	-	-	-	-	-	-	-	-	-	-	-	64	-	-	-	SALEABLE		345650003
MX123 CONN ASSY 80 CKT GRY OPT9 KEY H/50	345660594	C-HSG-H9	G-CAP-9-P	TPA-H9	RS	LS	MAL	CPA	MSEAL	RSEAL	80	79	78	77	76	-	-	-	-	71	70	-	-	-	66	-	-	63	-	-	SALEABLE		345650003
MX123 CONN ASSY 80 CKT BLU OPT9 KEY G/58	345660614	C-HSG-G9	G-CAP-9-P	TPA-G9	RS	LS	MAL	CPA	MSEAL	RSEAL	-	-	-	-	76	-	-	73	-	71	-	69	-	-	66	-	64	-	-	-	SALEABLE		345650003
MX123 CONN ASSY 80 CKT BLU OPT9 KEY G/32	345660644	C-HSG-G9	G-CAP-9-P	TPA-G9	RS	LS	MAL	CPA	MSEAL	RSEAL	-	-	-	-	76	-	74	73	72	71	70	69	68	67	-	-	-	63	62	61	SALEABLE		345650003
MX123 CONN ASSY 80 CKT BLU OPT9 KEY G/26	345660664	C-HSG-G9	G-CAP-9-P	TPA-G9	RS	LS	MAL	CPA	MSEAL	RSEAL	-	-	-	77	76	-	74	73	72	71	70	69	68	67	66	65	64	63	62	61	SALEABLE		345650003
MX123 CONN ASSY 80 CKT GRY OPT9 KEY H/43	345660684	C-HSG-H9	G-CAP-9-P	TPA-H9	RS	LS	MAL	CPA	MSEAL	RSEAL	-	79	78	77	76	-	-	-	-	71	70	-	-	67	66	-	-	63	-	-	SALEABLE		345650003
MX123 CONN ASSY 80 CKT BLU OPT0 KEY G/41	345660694	C-HSG-G0	G-CAP-0-P	TPA-G0	RS	LS	MAL	CPA	MSEAL	RSEAL	80	79	78	-	76	75	74	73	-	-	70	69	68	67	-	65	64	-	-	-	SALEABLE		345650003
MX123 CONN ASSY 80 CKT BLU OPT0 KEY G/80	345660703	C-HSG-G0	G-CAP-0-P	TPA-G0	RS	LS	MAL	CPA	MSEAL	RSEAL	-	-	-	-	-	-	-	-	-	-	-	-	-	-	-	-	-	-	-	-	SALEABLE		345650003
MX123 CONN ASSY 80 CKT GRY OPT0 KEY H/33	345660704	C-HSG-H0	G-CAP-0-P	TPA-H0	RS	LS	MAL	CPA	MSEAL	RSEAL	80	-	-	-	-	75	-	73	72	71	70	69	68	67	66	65	64	63	62	61	SALEABLE		345650003
MX123 CONN ASSY 80 CKT BLU OPT0 KEY G/34	345660714	C-HSG-G0	G-CAP-0-P	TPA-G0	RS	LS	MAL	CPA	MSEAL	RSEAL	-	-	78	77	76	75	74	73	72	71	70	69	68	67	66	65	64	63	62	61	SALEABLE		345650003
MX123 CONN ASSY 80 CKT GRY OPT0 KEY H/80	345660803	C-HSG-H0	G-CAP-0-P	TPA-H0	RS	LS	MAL	CPA	MSEAL	RSEAL	-	-	-	-	-	-	-	-	-	-	-	-	-	-	-	-	-	-	-	-	SALEABLE		345650003

ASSEMBLY DESCRIPTION	ASSEMBLY PART NUMBER	CONNECTOR HOUSING	GROMMET CAP	TPA	RIGHT SLIDE	LEFT SLIDE	MATE ASSIST LEVER	CPA	MAT SEAL	RING SEAL	BLOCKED TERMINALS																				STATUS	COMMENTS	INTEGRAL COMPONENTS SOLD SEPARATELY DRESS COVER
											CAVITY WITH A NUMBER INDICATES BLOCKED TERMINAL POSITION CAVITY WITHOUT A NUMBER INDICATES OPEN TERMINAL POSITION																						
											80	79	78	77	76	75	74	73	72	71	70	69	68	67	66	65	64	63	62	61			
MX123 CONN ASSY 80 CKT GRY OPT0 KEY H/23	345661053	C-HSG-H0	G-CAP-0-P	TPA-H0	RS	LS	MAL	CPA	MSEAL	RSEAL	80	-	-	-	-	-	-	-	-	-	-	-	-	-	-	-	67	-	-	-	-	62	-
											-	-	-	-	-	55	54	-	-	51	-	49	48	47	46	45	-	-	42	-			
											-	-	-	-	36	-	-	-	-	31	-	-	28	-	-	25	24	23	-	-			
											-	-	-	-	-	15	-	-	-	-	10	-	-	7	-	-	4	-	-	1	-		
MX123 CONN ASSY 80 CKT GRY OPT0 KEY H/30	345661123	C-HSG-H0	G-CAP-0-P	TPA-H0	RS	LS	MAL	CPA	MSEAL	RSEAL	80	79	-	77	76	75	74	73	-	-	-	-	-	-	-	-	-	-	-	-	62	-	
											60	59	-	-	-	55	54	-	-	-	-	49	48	47	46	45	-	-	42	-			
											-	39	38	-	36	-	-	-	-	31	-	-	28	-	-	25	24	23	-	-			
											-	-	-	-	-	15	-	13	-	11	-	-	-	-	-	-	4	-	-	-	-		
MX123 CONN ASSY 80 CKT GRY OPT0 KEY H/35	345661163	C-HSG-H0	G-CAP-0-P	TPA-H0	RS	LS	MAL	CPA	MSEAL	RSEAL	80	79	-	77	76	75	74	73	-	-	-	-	-	67	-	-	-	-	62	-			
											-	-	-	-	-	55	54	-	-	51	-	49	48	47	46	45	-	-	42	-			
											-	39	38	-	36	-	-	33	-	31	-	-	28	-	-	25	24	23	-	-			
											-	-	-	-	-	15	14	-	-	11	10	9	-	7	-	-	4	-	-	1	-		
MX123 CONN ASSY 80 CKT GRY OPT0 KEY H/38	345661313	C-HSG-H0	G-CAP-0-P	TPA-H0	RS	LS	MAL	CPA	MSEAL	RSEAL	-	79	-	77	76	75	74	73	-	-	-	-	-	67	-	-	-	-	62	-			
											60	59	-	-	-	-	-	52	51	50	49	48	47	-	45	-	-	-	41	-			
											-	39	38	-	36	-	34	33	-	31	-	-	28	-	-	25	24	23	22	-			
											-	-	-	-	16	-	14	13	-	11	10	9	-	7	-	-	4	-	-	1	-		
MX123 CONN ASSY 80 CKT GRY OPT0 KEY H/28	345661353	C-HSG-H0	G-CAP-0-P	TPA-H0	RS	LS	MAL	CPA	MSEAL	RSEAL	80	-	-	-	-	-	-	-	-	-	-	-	-	67	-	-	-	-	62	-			
											-	-	-	-	-	55	54	-	52	51	-	49	48	47	46	45	-	-	42	-			
											-	-	-	-	36	-	-	33	-	31	-	-	28	-	-	25	24	23	-	-			
											-	-	-	-	16	15	14	-	-	-	10	9	-	7	-	-	4	-	-	1	-		
MX123 CONN ASSY 80 CKT GRY OPT9 KEY H/80	345661573	C-HSG-H9	G-CAP-9-P	TPA-H9	RS	LS	MAL	CPA	MSEAL	RSEAL	80	79	78	77	76	75	74	73	72	71	70	69	68	67	66	65	64	63	62	61			
											60	59	58	57	56	55	54	53	52	51	50	49	48	47	46	45	44	43	42	41			
											40	39	38	37	36	35	34	33	32	31	30	29	28	27	26	25	24	23	22	21			
											20	19	18	17	16	15	14	13	12	11	10	9	8	7	6	5	4	3	2	1			
MX123 CONN ASSY 80 CKT GRY OPT0 KEY H/22	345661613	C-HSG-H0	G-CAP-0-P	TPA-H0	RS	LS	MAL	CPA	MSEAL	RSEAL	80	-	-	-	-	-	-	-	-	-	-	-	-	67	-	-	-	-	62	-			
											-	-	-	-	-	55	54	-	52	51	-	49	48	47	46	45	-	-	42	-			
											-	-	-	-	36	-	-	-	-	31	-	-	28	-	-	25	-	-	-	-			
											-	-	-	-	16	15	-	-	-	-	-	-	7	-	-	4	-	-	1	-			
MX123 CONN ASSY 80 CKT BLU OPT9 KEY G/80	345661903	C-HSG-G9	G-CAP-9-P	TPA-G9	RS	LS	MAL	CPA	MSEAL	RSEAL	-	-	-	-	-	-	-	-	-	-	-	-	-	-	-	-	-	-	-	-			
											-	-	-	-	-	-	-	-	-	-	-	-	-	-	-	-	-	-	-	-			
											-	-	-	-	-	-	-	-	-	-	-	-	-	-	-	-	-	-	-	-			
											-	-	-	-	-	-	-	-	-	-	-	-	-	-	-	-	-	-	-	-			
MX123 CONN ASSY 80 CKT GRY OPT9 KEY H/80	345662003	C-HSG-H9	G-CAP-9-P	TPA-H9	RS	LS	MAL	CPA	MSEAL	RSEAL	-	-	-	-	-	-	-	-	-	-	-	-	-	-	-	-	-	-	-	-			
											-	-	-	-	-	-	-	-	-	-	-	-	-	-	-	-	-	-	-	-			
											-	-	-	-	-	-	-	-	-	-	-	-	-	-	-	-	-	-	-	-			
											-	-	-	-	-	-	-	-	-	-	-	-	-	-	-	-	-	-	-	-			
MX123 CONN ASSY 80 CKT GRY OPT0 KEY H/35	345662063	C-HSG-H0	G-CAP-0-P	TPA-H0	RS	LS	MAL	CPA	MSEAL	RSEAL	80	79	-	77	76	75	74	73	-	-	-	-	-	67	-	-	-	-	62	-			
											60	59	-	-	-	55	54	-	-	51	-	49	48	47	46	45	-	-	42	-			
											-	39	38	-	36	-	-	33	-	31	-	-	28	-	-	25	24	23	-	-			
											-	-	-	-	-	15	-	13	-	11	-	-	-	7	-	-	4	-	-	1	-		
MX123 CONN ASSY 80 CKT GRY OPT0 KEY H/38	345662073	C-HSG-H0	G-CAP-0-P	TPA-H0	RS	LS	MAL	CPA	MSEAL	RSEAL	80	79	-	77	76	75	74	73	-	-	-	-	-	67	-	-	-	-	62	-			
											60	59	-	-	-	55	54	-	-	51	-	49	48	47	46	45	-	-	42	-			
											-	39	38	-	36	-	-	33	-	31	-	-	28	-	-	25	24	23	-	-			
											-	-	-	-	-	15	14	13	-	11	10	9	-	7	-	-	4	-	-	1	-		
MX123 CONN ASSY 80 CKT GRY OPT0 KEY H/34	345662083	C-HSG-H0	G-CAP-0-P	TPA-H0	RS	LS	MAL	CPA	MSEAL	RSEAL	80	79	-	77	76	75	74	73	-	-	-	-	-	-	-	-	-	-	62	-			
											60	59	-	-	-	55	54	-	-	-	-	49	48	47	46	45	-	-	42	-			
											-	39	38	-	36	-	-	33	-	31	-	-	28	-	-	25	24	23	-	-			
											-	-	-	-	-	15	14	13	-	11	10	9	-	-	-	4	-	-	-	-			

ASSEMBLY DESCRIPTION	ASSEMBLY PART NUMBER	CONNECTOR HOUSING	GROMMET CAP	TPA	RIGHT SLIDE	LEFT SLIDE	MATE ASSIST LEVER	CPA	MAT SEAL	RING SEAL	BLOCKED TERMINALS																				STATUS	COMMENTS	INTEGRAL COMPONENTS SOLD SEPARATELY DRESS COVER
											CAVITY WITH A NUMBER INDICATES BLOCKED TERMINAL POSITION CAVITY WITHOUT A NUMBER INDICATES OPEN TERMINAL POSITION																						
											80	79	78	77	76	75	74	73	72	71	70	69	68	67	66	65	64	63	62	61			
MX123 CONN ASSY 80 CKT BLU OPT0 KEY G/34	345663023	C-HSG-G0	G-CAP-0-P	TPA-G0	RS	LS	MAL	CPA	MSEAL	RSEAL	80	-	78	77	-	75	74	73	72	-	70	69	-	67	-	65	64	63	62	-			
											60	-	58	57	-	55	54	-	52	51	50	49	-	47	-	45	-	-	-	-			
											40	-	38	37	-	-	-	33	32	31	-	-	-	27	26	25	24	-	-	-			
											20	-	18	17	-	-	-	-	-	-	10	9	8	-	6	5	-	3	2	1			
MX123 CONN ASSY 80 CKT GRY OPT0 KEY H/47	345663033	C-HSG-H0	G-CAP-0-P	TPA-H0	RS	LS	MAL	CPA	MSEAL	RSEAL	-	79	-	-	-	-	74	73	72	71	-	69	68	67	-	-	64	-	62	61			
											-	59	-	-	-	-	54	53	52	-	-	49	48	47	-	-	-	-	42	41			
											-	-	38	-	-	-	-	33	-	-	-	29	-	27	-	25	-	-	-	21			
											-	-	-	-	-	15	14	-	-	11	10	9	8	7	-	-	-	-	-	-			
MX123 CONN ASSY 80 CKT GRY OPT9 KEY H/5	345663463	C-HSG-H9	G-CAP-9-P	TPA-H9	RS	LS	MAL	CPA	MSEAL	RSEAL	80	79	78	77	76	75	74	73	72	71	70	69	68	67	66	65	64	63	62	-			
											60	59	58	57	56	55	54	53	52	51	50	49	48	47	46	45	44	43	42	41			
											40	39	38	37	36	35	34	33	32	31	30	29	28	27	26	25	24	23	22	21			
											-	19	18	17	16	15	14	13	12	11	10	-	8	7	6	-	4	3	2	-			
MX123 CONN ASSY 80 CKT GRY OPT9 KEY H/7	345663683	C-HSG-H9	G-CAP-9-P	TPA-H9	RS	LS	MAL	CPA	MSEAL	RSEAL	80	79	78	77	76	75	74	73	72	71	70	69	68	67	66	65	64	63	62	-			
											60	59	58	57	56	55	54	53	52	51	50	49	48	47	46	45	44	43	42	41			
											40	39	38	37	36	35	34	33	-	31	30	29	28	27	26	25	24	23	22	21			
											-	19	18	17	16	-	14	13	12	11	10	-	8	7	6	-	4	3	2	-			
MX123 CONN ASSY 80 CKT GRY OPT0 KEY H/32	345664383	C-HSG-H0	G-CAP-0-P	TPA-H0	RS	LS	MAL	CPA	MSEAL	RSEAL	80	-	78	77	76	75	-	-	-	-	70	-	-	-	66	65	-	63	-	-			
											60	-	58	57	56	55	-	53	-	51	50	-	-	-	46	45	44	43	-	-			
											40	39	-	37	36	35	34	-	32	31	30	-	28	-	26	-	24	23	22	21			
											20	19	-	17	16	-	-	13	12	-	-	-	-	-	6	5	4	3	2	1			
MX123 CONN ASSY 80 CKT BLU OPT0 KEY G/44	345664393	C-HSG-G0	G-CAP-0-P	TPA-G0	RS	LS	MAL	CPA	MSEAL	RSEAL	80	79	-	-	76	-	-	73	-	71	-	-	68	-	66	-	-	-	-	61			
											-	59	-	-	56	-	-	53	-	-	-	-	48	-	46	-	44	43	42	41			
											-	39	-	-	36	35	34	-	-	-	30	29	28	-	-	-	-	23	22	21			
											-	19	-	-	16	15	14	13	12	11	-	-	-	7	-	-	4	-	-	-			
MX123 CONN ASSY 80 CKT GRY OPT0 KEY H/25	345664503	C-HSG-H0	G-CAP-0-P	TPA-H0	RS	LS	MAL	CPA	MSEAL	RSEAL	80	-	-	-	-	-	-	-	-	-	-	-	-	67	-	-	-	-	62	-			
											-	-	-	-	-	55	54	-	52	51	-	49	48	47	46	45	-	-	42	-			
											-	-	-	-	36	-	-	-	-	31	-	-	28	-	-	25	-	-	-	-			
											-	-	-	-	16	15	14	-	-	-	10	9	-	7	-	-	4	-	-	1			
MX123 CONN ASSY 80 CKT BLU OPT0 KEY G/42	345664523	C-HSG-G0	G-CAP-0-P	TPA-G0	RS	LS	MAL	CPA	MSEAL	RSEAL	80	79	-	-	76	-	-	73	-	71	-	-	68	-	66	-	-	-	-	61			
											-	59	-	-	56	-	-	53	-	-	-	-	48	-	46	-	44	43	42	41			
											-	39	-	-	36	35	34	33	32	-	30	29	28	-	-	-	-	23	22	21			
											-	19	-	-	16	15	14	13	12	11	-	-	-	7	-	-	4	-	-	-			
MX123 CONN ASSY 80 CKT GRY OPT0 KEY H/28	345664603	C-HSG-H0	G-CAP-0-P	TPA-H0	RS	LS	MAL	CPA	MSEAL	RSEAL	80	-	-	-	-	-	-	-	-	-	-	-	-	67	-	-	-	-	62	-			
											-	-	-	-	-	55	54	-	52	51	-	49	48	47	46	45	-	-	42	-			
											-	-	-	-	36	-	-	-	-	31	-	-	28	-	-	25	24	23	-	-			
											-	-	-	-	16	15	14	-	-	11	10	9	-	7	-	-	4	-	-	1			
MX123 CONN ASSY 80 CKT GRY OPT0 KEY H/22	345665003	C-HSG-H0	G-CAP-0-P	TPA-H0	RS	LS	MAL	CPA	MSEAL	RSEAL	80	-	-	-	-	-	-	-	-	-	-	-	-	67	-	-	-	-	62	-			
											-	-	-	-	-	55	54	-	-	51	-	49	48	47	46	45	-	-	42	-			
											-	-	-	-	36	-	-	-	-	31	-	-	28	-	-	25	24	23	-	-			
											-	-	-	-	-	15	-	-	-	-	-	-	-	7	-	-	4	-	-	1			
MX123 CONN ASSY 80 CKT GRY OPT9 KEY H/71	345665063	C-HSG-H9	G-CAP-9-P	TPA-H9	RS	LS	MAL	CPA	MSEAL	RSEAL	-	-	-	-	-	-	-	-	-	-	-	-	-	-	-	-	-	-	-	-			
											-	-	-	-	-	-	-	-	-	-	-	-	-	-	-	-	-	-	-	-			
											-	-	-	-	36	-	-	-	-	31	-	-	28	-	-	25	-	-	-	-			
											-	-	-	-	16	15	-	-	-	-	-	-	-	7	-	-	4	-	-	1			
MX123 CONN ASSY 80 CKT BLU OPT0 KEY G/47	345665323	C-HSG-G0	G-CAP-0-P	TPA-G0	RS	LS	MAL	CPA	MSEAL	RSEAL	-	79	-	-	76	-	-	-	-	71	-	-	68	-	66	-	-	-	-	61			
											-	59	-	-	56	-	-	53	-	-	-	-	48	-	46	-	44	43	42	41			
											-	39	-	-	36	35	34	-	-	-	30	29	28	-	-	-	-	23	22	21			
											-	19	-	-	16	15	14	13	12	11	-	-	-	7	-	-	-	-	-	-			

ASSEMBLY DESCRIPTION	ASSEMBLY PART NUMBER	CONNECTOR HOUSING	GROMMET CAP	TPA	RIGHT SLIDE	LEFT SLIDE	MATE ASSIST LEVER	CPA	MAT SEAL	RING SEAL	BLOCKED TERMINALS																STATUS	COMMENTS	INTEGRAL COMPONENTS SOLD SEPARATELY DRESS COVER	
											CAVITY WITH A NUMBER INDICATES BLOCKED TERMINAL POSITION CAVITY WITHOUT A NUMBER INDICATES OPEN TERMINAL POSITION																			
											80	-	78	77	76	75	-	-	-	-	70	69	-	-	66	-				-
MX123 CONN ASSY 80 CKT GRY OPT0 KEY H/32	345665843	C-HSG-H0	G-CAP-0-P	TPA-H0	RS	LS	MAL	CPA	MSEAL	RSEAL	60	-	58	-	56	55	-	53	-	51	50	49	48	47	46	45	44	43	-	-
											40	39	-	37	36	35	-	-	32	31	30	-	28	-	26	-	24	23	22	21
											20	19	-	17	16	-	-	13	12	-	-	-	-	-	6	5	4	3	2	1
MX123 CONN ASSY 80 CKT GRY OPT0 KEY H/32	345665853	C-HSG-H0	G-CAP-0-P	TPA-H0	RS	LS	MAL	CPA	MSEAL	RSEAL	80	-	78	77	76	75	-	-	-	-	70	69	-	-	66	-	-	-	-	-
											60	-	58	-	56	55	-	53	-	51	50	49	48	47	46	45	44	-	-	
											40	39	-	37	36	35	34	-	32	31	30	-	28	-	26	-	24	23	22	21
											20	19	-	17	16	-	-	13	12	-	-	-	-	-	6	5	4	3	2	1
MX123 CONN ASSY 80 CKT GRY OPT0 KEY H/26	345666603	C-HSG-H0	G-CAP-0-P	TPA-H0	RS	LS	MAL	CPA	MSEAL	RSEAL	80	-	-	-	-	-	-	-	-	-	-	-	-	67	-	-	-	-	62	-
											-	-	-	-	-	55	54	-	-	51	-	49	48	47	46	45	-	-	42	-
											-	-	-	-	36	-	-	-	-	31	-	-	28	-	-	25	24	23	-	-
											-	-	-	-	-	15	14	-	-	11	10	9	-	7	-	-	4	-	-	1
MX123 CONN ASSY 80 CKT GRY OPT0 KEY H/24	345666703	C-HSG-H0	G-CAP-0-P	TPA-H0	RS	LS	MAL	CPA	MSEAL	RSEAL	80	-	-	-	-	-	-	-	-	-	-	-	-	67	-	-	-	-	62	-
											-	-	-	-	-	55	54	-	52	51	-	49	48	47	46	45	-	-	42	-
											-	-	-	-	36	-	-	-	-	31	-	-	28	-	-	25	24	23	-	-
											-	-	-	-	16	15	-	-	-	-	-	-	-	7	-	-	4	-	-	1
MX123 CONN ASSY 80 CKT GRY OPT0 KEY H/29	345666723	C-HSG-H0	G-CAP-0-P	TPA-H0	RS	LS	MAL	CPA	MSEAL	RSEAL	80	-	78	77	76	75	-	-	72	71	70	69	68	-	66	-	-	-	-	-
											60	-	58	57	56	55	54	-	-	51	50	49	48	47	46	45	-	-	-	-
											40	39	-	37	36	35	34	-	32	31	30	29	28	-	26	-	24	23	22	21
											20	19	-	17	16	-	-	-	-	11	-	-	-	-	6	5	4	3	2	1
MX123 CONN ASSY 80 CKT BLU OPT0 KEY G/40	345666733	C-HSG-G0	G-CAP-0-P	TPA-G0	RS	LS	MAL	CPA	MSEAL	RSEAL	80	79	-	-	76	-	-	73	-	71	-	69	68	67	66	65	-	-	62	61
											-	59	-	-	56	-	-	53	-	-	-	-	48	-	46	-	44	43	42	41
											-	-	-	-	36	35	34	-	-	-	30	29	28	-	-	25	24	23	22	21
											-	-	-	-	16	15	14	13	12	11	-	-	-	7	-	5	-	-	-	-
MX123 CONN ASSY 80 CKT BLU OPT0 KEY G/30	345666993	C-HSG-G0	G-CAP-0-P	TPA-G0	RS	LS	MAL	CPA	MSEAL	RSEAL	80	79	-	-	-	75	74	73	72	71	70	69	68	-	-	-	64	63	62	61
											60	59	58	57	56	55	54	53	52	51	50	49	48	47	46	45	44	43	42	41
											-	-	-	-	-	-	-	-	-	31	30	-	-	27	26	-	24	23	22	-
											-	-	-	-	-	-	-	-	-	11	10	9	8	7	6	5	4	-	2	-
MX123 CONN ASSY 80 CKT BLU OPT9 KEY G/39	345667113	C-HSG-G9	G-CAP-9-P	TPA-G9	RS	LS	MAL	CPA	MSEAL	RSEAL	-	-	-	77	-	75	74	73	72	-	70	69	68	-	66	65	64	63	62	61
											-	-	-	-	56	55	-	53	52	-	-	-	-	-	46	45	-	43	42	-
											-	-	38	-	36	35	34	-	-	31	-	-	-	-	26	-	-	23	22	21
											-	-	-	17	16	15	14	13	-	-	10	-	-	7	6	-	4	-	-	1
MX123 CONN ASSY 80 CKT BLU OPT9 KEY G/37	345667123	C-HSG-G9	G-CAP-9-P	TPA-G9	RS	LS	MAL	CPA	MSEAL	RSEAL	-	-	-	77	76	75	74	73	72	-	70	69	68	-	66	65	64	63	62	61
											-	-	-	-	56	55	-	53	52	-	-	-	-	-	46	45	-	43	42	-
											-	-	38	37	36	35	34	-	-	31	-	-	-	-	26	-	-	23	22	21
											-	-	-	17	16	15	14	13	-	-	10	-	-	7	6	-	4	-	-	1
MX123 CONN ASSY 80 CKT BLU OPT9 KEY G/33	345667323	C-HSG-G9	G-CAP-9-P	TPA-G9	RS	LS	MAL	CPA	MSEAL	RSEAL	80	79	78	77	76	75	74	-	72	71	70	69	-	-	66	65	-	-	62	61
											60	-	-	57	56	-	-	53	52	51	50	49	48	47	-	-	-	-	42	41
											40	-	-	37	36	-	34	33	-	31	-	-	-	-	26	25	24	-	-	21
											20	-	18	-	16	-	14	-	-	11	-	-	8	7	-	5	-	3	2	-
MX123 CONN ASSY 80 CKT BLU OPT0 KEY G/48	345667533	C-HSG-G0	G-CAP-0-P	TPA-G0	RS	LS	MAL	CPA	MSEAL	RSEAL	-	-	-	77	76	75	74	73	72	-	-	69	68	-	66	65	64	63	62	61
											-	-	-	-	56	55	-	53	52	-	-	-	-	-	46	-	-	43	-	-
											-	-	38	-	-	35	-	-	-	31	-	-	-	-	26	-	-	-	-	-
											-	-	-	17	16	15	14	-	-	-	10	-	-	7	6	-	4	-	-	-
MX123 CONN ASSY 80 CKT GRY OPT9 KEY H/47	345667613	C-HSG-H9	G-CAP-9-P	TPA-H9	RS	LS	MAL	CPA	MSEAL	RSEAL	-	-	-	77	76	-	74	73	72	-	-	69	68	-	66	65	64	63	62	61
											-	-	58	-	56	55	-	53	52	-	-	-	-	-	46	-	-	43	-	-
											-	-	38	-	-	35	-	-	-	31	-	-	-	-	26	-	-	-	-	-
											-	19	-	17	16	15	14	-	-	-	10	-	-	7	6	-	4	-	-	-

ASSEMBLY DESCRIPTION	ASSEMBLY PART NUMBER	CONNECTOR HOUSING	GROMMET CAP	TPA	RIGHT SLIDE	LEFT SLIDE	MATE ASSIST LEVER	CPA	MAT SEAL	RING SEAL	BLOCKED TERMINALS																				STATUS	COMMENTS	INTEGRAL COMPONENTS SOLD SEPARATELY DRESS COVER
											CAVITY WITH A NUMBER INDICATES BLOCKED TERMINAL POSITION CAVITY WITHOUT A NUMBER INDICATES OPEN TERMINAL POSITION																						
											-	-	-	77	76	-	74	73	72	-	-	69	68	-	66	65	64	63	62	61			
MX123 CONN ASSY 80 CKT BLU OPT9 KEY G/49	345667623	C-HSG-G9	G-CAP-9-P	TPA-G9	RS	LS	MAL	CPA	MSEAL	RSEAL	-	-	-	77	76	-	74	73	72	-	-	69	68	-	66	65	64	63	62	61	SALEABLE		345650003
MX123 CONN ASSY 80 CKT BLU OPT9 KEY G/50	345667913	C-HSG-G9	G-CAP-9-P	TPA-G9	RS	LS	MAL	CPA	MSEAL	RSEAL	-	-	-	77	76	-	74	73	72	-	-	69	68	-	66	65	64	63	62	-	SALEABLE		345650003
MX123 CONN ASSY 80 CKT GRY OPT0 KEY H/33	345668103	C-HSG-H0	G-CAP-0-P	TPA-H0	RS	LS	MAL	CPA	MSEAL	RSEAL	80	79	-	77	76	75	74	73	-	-	-	-	67	-	-	-	-	-	62	-	SALEABLE		345650003
MX123 CONN ASSY 80 CKT BLU OPT0 KEY G/32	345668123	C-HSG-G0	G-CAP-0-P	TPA-G0	RS	LS	MAL	CPA	MSEAL	RSEAL	-	-	78	77	76	75	74	-	-	71	-	-	-	-	-	-	-	63	-	-	SALEABLE		345650003
MX123 CONN ASSY 80 CKT BLU OPT0 KEY G/49	345668133	C-HSG-G0	G-CAP-0-P	TPA-G0	RS	LS	MAL	CPA	MSEAL	RSEAL	-	-	-	-	76	-	74	73	-	-	-	-	67	-	65	64	63	62	61	SALEABLE		345650003	
MX123 CONN ASSY 80 CKT BLU OPT0 KEY G/78	345668143	C-HSG-G0	G-CAP-0-P	TPA-G0	RS	LS	MAL	CPA	MSEAL	RSEAL	-	-	-	-	-	-	-	-	-	71	-	-	-	-	-	-	-	-	-	-	SALEABLE		345650003
MX123 CONN ASSY 80 CKT GRY OPT9 KEY H/2	345668183	C-HSG-H9	G-CAP-9-P	TPA-H9	RS	LS	MAL	CPA	MSEAL	RSEAL	80	79	78	77	76	75	74	73	72	-	70	69	68	67	66	65	64	63	62	61	SALEABLE		345650003
MX123 CONN ASSY 80 CKT BLU OPT0 KEY G/45	345668193	C-HSG-G0	G-CAP-0-P	TPA-G0	RS	LS	MAL	CPA	MSEAL	RSEAL	80	-	-	-	-	-	-	73	72	-	70	69	68	-	66	-	64	-	62	61	SALEABLE		345650003
MX123 CONN ASSY 80 CKT GRY OPT0 KEY H/30	345668213	C-HSG-H0	G-CAP-0-P	TPA-H0	RS	LS	MAL	CPA	MSEAL	RSEAL	80	79	78	77	76	75	-	-	72	71	70	69	68	-	66	-	-	-	-	-	SALEABLE		345650003
MX123 CONN ASSY 80 CKT BLU OPT9 KEY G/45	345668233	C-HSG-G9	G-CAP-9-P	TPA-G9	RS	LS	MAL	CPA	MSEAL	RSEAL	80	79	78	-	-	-	-	-	71	-	-	-	67	-	-	-	-	-	-	SALEABLE		345650003	
MX123 CONN ASSY 80 CKT BLU OPT9 KEY G/43	345668243	C-HSG-G9	G-CAP-9-P	TPA-G9	RS	LS	MAL	CPA	MSEAL	RSEAL	80	79	78	-	76	-	-	-	-	71	-	-	-	67	-	-	-	-	-	SALEABLE		345650003	
MX123 CONN ASSY 80 CKT BLU OPT9 KEY G/43	345668253	C-HSG-G9	G-CAP-9-P	TPA-G9	RS	LS	MAL	CPA	MSEAL	RSEAL	80	79	78	-	-	-	-	-	71	-	-	-	67	-	-	-	-	-	SALEABLE		345650003		

ASSEMBLY DESCRIPTION	ASSEMBLY PART NUMBER	CONNECTOR HOUSING	GROMMET CAP	TPA	RIGHT SLIDE	LEFT SLIDE	MATE ASSIST LEVER	CPA	MAT SEAL	RING SEAL	BLOCKED TERMINALS																				STATUS	COMMENTS	INTEGRAL COMPONENTS SOLD SEPARATELY DRESS COVER
											CAVITY WITH A NUMBER INDICATES BLOCKED TERMINAL POSITION CAVITY WITHOUT A NUMBER INDICATES OPEN TERMINAL POSITION																						
											80	79	78	-	76	-	-	-	-	-	71	-	-	-	67	-	-	-	-	-			
MX123 CONN ASSY 80 CKT BLU OPT9 KEY G/41	345668263	C-HSG-G9	G-CAP-9-P	TPA-G9	RS	LS	MAL	CPA	MSEAL	RSEAL	60	59	58	57	-	-	54	-	-	51	50	49	48	47	-	-	44	-	-	41			
											40	39	-	37	-	-	-	33	32	-	30	29	28	27	-	25	24	-	-				
											20	19	18	-	-	-	-	-	12	11	-	9	8	-	-	5	-	3	2	-			
MX123 CONN ASSY 80 CKT BLU OPT9 KEY G/35	345668273	C-HSG-G9	G-CAP-9-P	TPA-G9	RS	LS	MAL	CPA	MSEAL	RSEAL	-	-	-	77	76	75	74	73	72	-	70	69	68	-	66	65	64	63	62	61			
											-	-	-	-	56	55	-	53	52	-	-	-	-	-	46	45	-	43	42	-			
											-	-	38	37	36	35	34	-	-	31	-	-	-	-	26	-	-	23	22	21			
											20	19	-	17	16	15	14	13	-	-	10	-	-	7	6	-	4	-	-	1			
MX123 CONN ASSY 80 CKT BLU OPT9 KEY G/37	345668283	C-HSG-G9	G-CAP-9-P	TPA-G9	RS	LS	MAL	CPA	MSEAL	RSEAL	-	-	-	77	-	75	74	73	72	-	70	69	68	-	66	65	64	63	62	61			
											-	-	-	-	56	55	-	53	52	-	-	-	-	-	46	45	-	43	42	-			
											-	-	38	-	36	35	34	-	-	31	-	-	-	-	26	-	-	23	22	21			
											20	19	-	17	16	15	14	13	-	-	10	-	-	7	6	-	4	-	-	1			
MX123 CONN ASSY 80 CKT GRY OPT0 KEY H/13	345668433	C-HSG-H0	G-CAP-0-P	TPA-H0	RS	LS	MAL	CPA	MSEAL	RSEAL	80	-	-	-	-	-	-	-	72	71	70	-	68	67	66	65	64	63	62	-			
											60	59	58	57	56	55	54	53	52	51	50	49	48	47	46	45	44	43	42	41			
											40	39	38	37	36	35	34	33	32	31	30	29	28	27	26	25	24	23	22	21			
											-	19	18	17	16	15	14	13	12	11	10	-	8	7	6	-	4	3	2	-			
MX123 CONN ASSY 80 CKT GRY OPT0 KEY H/31	345668903	C-HSG-H0	G-CAP-0-P	TPA-H0	RS	LS	MAL	CPA	MSEAL	RSEAL	80	79	-	77	76	75	74	73	72	-	-	-	-	-	-	-	-	-	62	-			
											60	59	-	-	-	55	54	-	-	-	-	49	48	47	46	45	-	-	42	-			
											-	39	38	-	36	-	-	-	-	31	-	-	28	-	-	25	24	23	-	-			
											-	-	-	-	-	15	-	13	-	11	-	-	-	-	-	-	4	-	-	-			
MX123 CONN ASSY 80 CKT BLU OPT0 KEY G/42	345669123	C-HSG-G0	G-CAP-0-P	TPA-G0	RS	LS	MAL	CPA	MSEAL	RSEAL	80	79	-	-	-	-	-	73	-	71	-	69	68	67	66	65	-	-	62	61			
											-	59	-	-	-	-	-	53	-	-	-	-	48	-	46	-	44	43	42	41			
											-	-	-	-	36	35	34	-	-	-	30	29	28	-	-	25	24	23	22	21			
											-	-	-	-	16	15	14	13	12	11	-	-	-	7	-	5	-	-	-	-			
MX123 CONN ASSY 80 CKT BLU OPT9 KEY G/36	345669283	C-HSG-G9	G-CAP-9-P	TPA-G9	RS	LS	MAL	CPA	MSEAL	RSEAL	-	-	-	77	76	75	74	73	72	-	70	69	68	-	66	65	64	63	62	61			
											-	-	-	-	56	55	-	53	52	-	-	-	-	-	46	45	-	43	42	-			
											-	-	38	-	36	35	34	-	-	31	-	-	-	-	26	-	-	23	22	21			
											20	19	-	17	16	15	14	13	-	-	10	-	-	7	6	-	4	-	-	1			
MX123 CONN ASSY 80 CKT BLU OPT9 KEY G/38	345669293	C-HSG-G9	G-CAP-9-P	TPA-G9	RS	LS	MAL	CPA	MSEAL	RSEAL	-	-	-	77	76	75	74	73	72	-	70	69	68	-	66	65	64	63	62	61			
											-	-	-	-	56	55	-	53	52	-	-	-	-	-	46	45	-	43	42	-			
											-	-	38	-	36	35	34	-	-	31	-	-	-	-	26	-	-	23	22	21			
											-	-	-	17	16	15	14	13	-	-	10	-	-	7	6	-	4	-	-	1			
MX123 CONN ASSY 80 CKT BLU OPT9 KEY G/10	345669373	C-HSG-G9	G-CAP-9-P	TPA-G9	RS	LS	MAL	CPA	MSEAL	RSEAL	-	79	78	77	76	75	74	73	72	-	70	69	68	67	-	65	-	63	62	61			
											60	-	58	-	56	55	54	53	52	51	50	-	48	47	46	45	44	43	42	41			
											40	-	38	37	36	35	34	33	32	31	-	29	28	27	26	25	24	23	22	21			
											-	19	18	17	16	15	14	13	12	11	10	9	8	7	6	5	4	3	2	1			
MX123 CONN ASSY 80 CKT GRY OPT9 KEY H/0	345669413	C-HSG-H9	G-CAP-9-P	TPA-H9	RS	LS	MAL	CPA	MSEAL	RSEAL	80	79	78	77	76	75	74	73	72	71	70	69	68	67	66	65	64	63	62	61			
											60	59	58	57	56	55	54	53	52	51	50	49	48	47	46	45	44	43	42	41			
											40	39	38	37	36	35	34	33	32	31	30	29	28	27	26	25	24	23	22	21			
											20	19	18	17	16	15	14	13	12	11	10	9	8	7	6	5	4	3	2	1			
MX123 CONN ASSY 80 CKT BLU OPT0 KEY G/34	345669463	C-HSG-G0	G-CAP-0-P	TPA-G0	RS	LS	MAL	CPA	MSEAL	RSEAL	-	-	-	77	76	-	74	73	72	71	70	69	68	67	-	-	-	63	62	61			
											60	-	58	57	56	55	54	53	52	51	50	49	48	47	-	45	44	-	-	-			
											40	-	-	-	36	-	34	33	32	31	-	29	28	27	-	-	-	23	-	-			
											-	19	-	-	-	15	14	13	-	11	10	9	-	-	-	-	4	-	-	-			
MX123 CONN ASSY 80 CKT BLU OPT0 KEY G/36	345669473	C-HSG-G0	G-CAP-0-P	TPA-G0	RS	LS	MAL	CPA	MSEAL	RSEAL	-	-	-	77	76	-	74	73	72	71	70	69	68	67	-	-	-	63	-	61			
											60	-	58	57	56	55	54	-	52	51	50	49	48	47	-	45	44	-	-	-			
											40	-	-	-	36	-	34	33	32	31	-	29	28	27	-	-	-	23	-	-			
											-	19	-	-	-	15	14	13	-	11	10	9	-	-	-	-	4	-	-	-			

ASSEMBLY DESCRIPTION	ASSEMBLY PART NUMBER	CONNECTOR HOUSING	GROMMET CAP	TPA	RIGHT SLIDE	LEFT SLIDE	MATE ASSIST LEVER	CPA	MAT SEAL	RING SEAL	BLOCKED TERMINALS																			STATUS	COMMENTS	INTEGRAL COMPONENTS SOLD SEPARATELY DRESS COVER		
											CAVITY WITH A NUMBER INDICATES BLOCKED TERMINAL POSITION CAVITY WITHOUT A NUMBER INDICATES OPEN TERMINAL POSITION																							
											-	-	-	77	76	-	74	73	72	71	70	69	68	67	-	-	-	63	62				61	
MX123 CONN ASSY 80 CKT BLU OPT0 KEY G/33	345669483	C-HSG-G0	G-CAP-0-P	TPA-G0	RS	LS	MAL	CPA	MSEAL	RSEAL	-	60	59	58	57	56	55	54	53	52	51	50	49	48	47	-	45	44	-	-	-	SALEABLE		345650003
											40	-	-	-	36	-	34	33	32	31	-	29	28	27	-	-	-	23	-	-				
											-	19	-	-	-	15	14	13	-	11	10	9	-	-	-	-	4	-	-	-				
MX123 CONN ASSY 80 CKT BLU OPT0 KEY G/33	345669493	C-HSG-G0	G-CAP-0-P	TPA-G0	RS	LS	MAL	CPA	MSEAL	RSEAL	-	60	-	58	57	56	55	54	53	52	51	50	49	48	47	-	45	44	-	-	-	SALEABLE		345650003
											40	-	-	-	36	-	34	33	32	31	-	29	28	27	-	-	-	23	-	-				
											-	19	-	-	-	15	14	13	-	11	10	9	-	-	-	-	4	-	-	-				
MX123 CONN ASSY 80 CKT BLU OPT0 KEY G/59	345669513	C-HSG-G0	G-CAP-0-P	TPA-G0	RS	LS	MAL	CPA	MSEAL	RSEAL	-	-	-	-	-	-	-	-	-	-	-	-	-	-	-	-	-	-	-	-	SALEABLE		345650003	
											40	-	-	-	36	-	34	33	32	31	-	29	28	27	-	-	-	23	-	-				
											-	19	-	-	-	15	14	13	-	11	10	9	-	-	-	-	4	-	-	-				
MX123 CONN ASSY 80 CKT BLU OPT0 KEY G/37	345669523	C-HSG-G0	G-CAP-0-P	TPA-G0	RS	LS	MAL	CPA	MSEAL	RSEAL	-	60	-	58	-	56	55	54	-	52	51	50	49	48	47	-	45	44	-	-	-	SALEABLE		345650003
											40	-	-	-	36	-	34	-	32	31	-	29	28	27	-	-	-	23	-	-				
											-	19	-	-	-	15	14	13	12	11	10	9	-	-	-	-	4	-	-	-				
MX123 CONN ASSY 80 CKT BLU OPT9 KEY G/8	345669653	C-HSG-G9	G-CAP-9-P	TPA-G9	RS	LS	MAL	CPA	MSEAL	RSEAL	-	79	78	77	76	75	74	73	72	71	70	69	68	67	-	-	64	63	62	61	SALEABLE		345650003	
											60	-	58	-	56	55	54	53	52	51	50	49	48	47	46	45	44	43	42	41				
											40	-	38	37	36	35	34	33	32	31	-	29	28	27	26	25	24	23	22	21				
											-	19	18	17	16	15	14	13	12	11	10	9	8	7	6	5	4	3	2	1				
MX123 CONN ASSY 80 CKT BLU OPT0 KEY G/35	345669763	C-HSG-G0	G-CAP-0-P	TPA-G0	RS	LS	MAL	CPA	MSEAL	RSEAL	80	79	-	-	-	75	74	73	72	71	70	69	68	-	-	-	64	63	62	61	SALEABLE		345650003	
											60	59	58	57	56	-	54	53	52	51	50	49	48	-	46	-	44	43	42	41				
											-	-	-	-	-	-	-	-	-	31	30	-	-	27	-	-	24	23	-	-				
											-	-	-	-	-	-	-	-	-	11	10	9	8	7	6	5	4	-	2	-				

MX123 52/66/73/80-WAY RECEPTACLE ASSY SEALED PIN OUT SHEET

UNCHECKED cavity number(s) are OPEN																																			
72	71	70	69	68	67	66	65	64	63	62	61	60	59	58	57	56	55	54	53																
<input checked="" type="checkbox"/>	<input checked="" type="checkbox"/>	<input checked="" type="checkbox"/>	<input type="checkbox"/>	<input type="checkbox"/>	<input type="checkbox"/>	<input checked="" type="checkbox"/>	<input type="checkbox"/>	<input type="checkbox"/>	<input checked="" type="checkbox"/>	<input checked="" type="checkbox"/>	<input checked="" type="checkbox"/>	<input checked="" type="checkbox"/>	<input checked="" type="checkbox"/>	<input type="checkbox"/>	<input checked="" type="checkbox"/>	<input checked="" type="checkbox"/>	<input checked="" type="checkbox"/>	<input checked="" type="checkbox"/>	<input checked="" type="checkbox"/>	<input checked="" type="checkbox"/>	<input checked="" type="checkbox"/>	<input checked="" type="checkbox"/>													
52	51	50	49	48	47	46	45	44	43	42	41	40	39	38	37	36	35	34	33																
<input checked="" type="checkbox"/>	<input checked="" type="checkbox"/>	<input checked="" type="checkbox"/>	<input checked="" type="checkbox"/>	<input checked="" type="checkbox"/>	<input checked="" type="checkbox"/>	<input checked="" type="checkbox"/>	<input type="checkbox"/>	<input type="checkbox"/>	<input checked="" type="checkbox"/>	<input checked="" type="checkbox"/>	<input checked="" type="checkbox"/>	<input checked="" type="checkbox"/>	<input checked="" type="checkbox"/>	<input checked="" type="checkbox"/>	<input checked="" type="checkbox"/>	<input checked="" type="checkbox"/>	<input checked="" type="checkbox"/>	<input checked="" type="checkbox"/>	<input checked="" type="checkbox"/>	<input checked="" type="checkbox"/>	<input checked="" type="checkbox"/>	<input checked="" type="checkbox"/>													
												32	31	30	29	28	27	26	25	24	23	22	21	20	19	18	17								
												<input type="checkbox"/>	<input checked="" type="checkbox"/>	<input type="checkbox"/>	<input type="checkbox"/>	<input type="checkbox"/>	<input checked="" type="checkbox"/>	<input checked="" type="checkbox"/>	<input checked="" type="checkbox"/>	<input checked="" type="checkbox"/>	<input checked="" type="checkbox"/>	<input checked="" type="checkbox"/>	<input checked="" type="checkbox"/>	<input checked="" type="checkbox"/>	<input checked="" type="checkbox"/>	<input checked="" type="checkbox"/>	<input checked="" type="checkbox"/>	<input checked="" type="checkbox"/>	<input checked="" type="checkbox"/>	<input checked="" type="checkbox"/>	<input checked="" type="checkbox"/>	<input checked="" type="checkbox"/>	<input checked="" type="checkbox"/>		
												<input checked="" type="checkbox"/>	16	15	14	13	12	11	10	9	8	7	6	5	4	3	2	1							
												<input checked="" type="checkbox"/>	<input type="checkbox"/>	<input checked="" type="checkbox"/>	<input type="checkbox"/>	<input checked="" type="checkbox"/>	<input checked="" type="checkbox"/>	<input type="checkbox"/>	<input checked="" type="checkbox"/>	<input checked="" type="checkbox"/>	<input checked="" type="checkbox"/>	<input checked="" type="checkbox"/>	<input checked="" type="checkbox"/>	<input checked="" type="checkbox"/>	<input checked="" type="checkbox"/>	<input checked="" type="checkbox"/>	<input checked="" type="checkbox"/>	<input checked="" type="checkbox"/>	<input checked="" type="checkbox"/>	<input checked="" type="checkbox"/>	<input checked="" type="checkbox"/>	<input checked="" type="checkbox"/>	<input checked="" type="checkbox"/>		

FOR ADDITIONAL INFORMATION SEE SD-34566-001

STATUS	GM PART #	HRNS CONN ASSY			TPA	GROMMET CAP																							
		MATERIAL/PART	WIRE DRESS OPTION	KEY OPTION	COLOR OPTION	NUMBERS INDICATE CAVITIES OPEN FOR CIRCUITS																							
		NUMBER																											
SALEABLE	12672860	34566-0103	0	A	BLACK																								
SALEABLE	12672862	34566-0203	0	B	ST GRY	72	71	70	69	68	67	66	65	64	63	62	61	60	59	58	57	56	55	54	53				
SALEABLE	12672864	34566-0303	0	C	BLUE	52	51	50	49	48	47	46	45	44	43	42	41	40	39	38	37	36	35	34	33				
TOOL DES. REL.	12615660	34566-0403	0	D	BROWN	73				32	31	30	29	28	27	26	25	24	23	22	21	20	19	18	17				
TOOL DES. REL.	12615661	34566-0503	0	E	GREEN	73				16	15	14	13	12	11	10	9	8	7	6	5	4	3	2	1				
SALEABLE	12672866	34566-0603	0	F	NATURAL																								
SALEABLE	12672872	34566-0703	0	G	BLUE																								
SALEABLE	12672870	34566-0803	0	H	ST GRY	80	79	78	77	76	75	74	73	72	71	70	69	68	67	66	65	64	63	62	61				
TOOL DES. REL.	12672868	34566-0903	0	J	BLACK	60	61	62	63	64	65	66	67	68	69	70	71	72	73	74	75	76	77	78	79				
TOOL DES. REL.	TBD	34566-1003	0	K	BROWN	40	39	38	37	36	35	34	33	32	31	30	29	28	27	26	25	24	23	22	21				
TOOL DES. REL.	TBD	34566-1103	0	L	GREEN	20	19	18	17	16	15	14	13	12	11	10	9	8	7	6	5	4	3	2	1				
TOOL DES. REL.	TBD	34566-1203	0	M	NATURAL																								
SALEABLE	12672861	34566-1303	9	A	BLACK																								
SALEABLE	12672863	34566-1403	9	B	ST GRY	72	71	70	69	68	67	66	65	64	63	62	61	60	59	58	57	56	55	54	53				
SALEABLE	12672865	34566-1503	9	C	BLUE	52	51	50	49	48	47	46	45	44	43	42	41	40	39	38	37	36	35	34	33				
TOOL DES. REL.	12615663	34566-1603	9	D	BROWN	73				32	31	30	29	28	27	26	25	24	23	22	21	20	19	18	17				
TOOL DES. REL.	12615664	34566-1703	9	E	GREEN	73				16	15	14	13	12	11	10	9	8	7	6	5	4	3	2	1				
SALEABLE	12672867	34566-1803	9	F	NATURAL																								
SALEABLE	12672873	34566-1903	9	G	BLUE																								
SALEABLE	12672871	34566-2003	9	H	ST GRY	80	79	78	77	76	75	74	73	72	71	70	69	68	67	66	65	64	63	62	61				
TOOL DES. REL.	12672869	34566-2103	9	J	BLACK	60	61	62	63	64	65	66	67	68	69	70	71	72	73	74	75	76	77	78	79				
TOOL DES. REL.	TBD	34566-2203	9	K	BROWN	40	39	38	37	36	35	34	33	32	31	30	29	28	27	26	25	24	23	22	21				
TOOL DES. REL.	TBD	34566-2303	9	L	GREEN	20	19	18	17	16	15	14	13	12	11	10	9	8	7	6	5	4	3	2	1				
TOOL DES. REL.	TBD	34566-2403	9	M	NATURAL																								
SALEABLE	12672856	34822-0013	0	A	BLACK	64	63	62	61	60	59	58	57	56	55	54	53	52	51	50	49	66							
						48	47	46	45	44	43	42	41	40	39	38	37	36	35	34	33								
SALEABLE	12672858	34822-0033	0	C	BLUE	65				32	31	30	29	28	27	26	25	24	23	22	21	20	19	18	17				
						65				16	15	14	13	12	11	10	9	8	7	6	5	4	3	2	1				
SALEABLE	12672857	34822-0023	9	A	BLACK	64	63	62	61	60	59	58	57	56	55	54	53	52	51	50	49	66							
						48	47	46	45	44	43	42	41	40	39	38	37	36	35	34	33								
SALEABLE	12672859	34822-0043	9	C	BLUE	65				32	31	30	29	28	27	26	25	24	23	22	21	20	19	18	17				
						65				16	15	14	13	12	11	10	9	8	7	6	5	4	3	2	1				

MX123 52/66/73/80-WAY RECEPTACLE ASSY SEALED PIN OUT SHEET

STATUS	GM PART #	HRNS CONN ASSY			TPA	GROMMET CAP																																																																							
		MATERIAL/PART	WIRE DRESS OPTION	KEY OPTION Fp	COLOR OPTION Fp	NUMBERS INDICATE CAVITIES OPEN FOR CIRCUITS																																																																							
		NUMBER				Fp																																																																							
TOOL DES. REL.	12672852	160094-0001	0	A	BLACK	<table border="1"> <tr> <td>52</td> <td>14</td><td>13</td><td>12</td><td>11</td><td>10</td><td>9</td><td>8</td><td>7</td><td>6</td><td>5</td><td>4</td><td>3</td> <td>2</td> </tr> <tr> <td></td> <td>26</td><td>25</td><td>24</td><td>23</td><td>22</td><td>21</td><td>20</td><td>19</td><td>18</td><td>17</td><td>16</td><td>15</td> <td></td> </tr> <tr> <td>51</td> <td>38</td><td>37</td><td>36</td><td>35</td><td>34</td><td>33</td><td>32</td><td>31</td><td>30</td><td>29</td><td>28</td><td>27</td> <td>1</td> </tr> <tr> <td></td> <td>50</td><td>49</td><td>48</td><td>47</td><td>46</td><td>45</td><td>44</td><td>43</td><td>42</td><td>41</td><td>40</td><td>39</td> <td></td> </tr> </table>																52	14	13	12	11	10	9	8	7	6	5	4	3	2		26	25	24	23	22	21	20	19	18	17	16	15		51	38	37	36	35	34	33	32	31	30	29	28	27	1		50	49	48	47	46	45	44	43	42	41	40	39	
52	14	13	12	11	10																	9	8	7	6	5	4	3	2																																																
	26	25	24	23	22																	21	20	19	18	17	16	15																																																	
51	38	37	36	35	34																	33	32	31	30	29	28	27	1																																																
	50	49	48	47	46																	45	44	43	42	41	40	39																																																	
TOOL DES. REL.	N/A	160094-0002	0	B	ST GRY																																																																								
TOOL DES. REL.	12672854	160094-0003	0	C	BLUE																																																																								
TOOL DES. REL.	N/A	160094-0004	0	D	BROWN																																																																								
TOOL DES. REL.	N/A	160094-0005	0	E	GREEN																																																																								
TOOL DES. REL.	N/A	160094-0006	0	F	NATURAL																																																																								
TOOL DES. REL.	12672853	160094-0013	9	A	BLACK	<table border="1"> <tr> <td>52</td> <td>14</td><td>13</td><td>12</td><td>11</td><td>10</td><td>9</td><td>8</td><td>7</td><td>6</td><td>5</td><td>4</td><td>3</td> <td>2</td> </tr> <tr> <td></td> <td>26</td><td>25</td><td>24</td><td>23</td><td>22</td><td>21</td><td>20</td><td>19</td><td>18</td><td>17</td><td>16</td><td>15</td> <td></td> </tr> <tr> <td>51</td> <td>38</td><td>37</td><td>36</td><td>35</td><td>34</td><td>33</td><td>32</td><td>31</td><td>30</td><td>29</td><td>28</td><td>27</td> <td>1</td> </tr> <tr> <td></td> <td>50</td><td>49</td><td>48</td><td>47</td><td>46</td><td>45</td><td>44</td><td>43</td><td>42</td><td>41</td><td>40</td><td>39</td> <td></td> </tr> </table>																52	14	13	12	11	10	9	8	7	6	5	4	3	2		26	25	24	23	22	21	20	19	18	17	16	15		51	38	37	36	35	34	33	32	31	30	29	28	27	1		50	49	48	47	46	45	44	43	42	41	40	39	
52	14	13	12	11	10																	9	8	7	6	5	4	3	2																																																
	26	25	24	23	22																	21	20	19	18	17	16	15																																																	
51	38	37	36	35	34																	33	32	31	30	29	28	27	1																																																
	50	49	48	47	46																	45	44	43	42	41	40	39																																																	
TOOL DES. REL.	N/A	160094-0014	9	B	ST GRY																																																																								
TOOL DES. REL.	12672855	160094-0015	9	C	BLUE																																																																								
TOOL DES. REL.	N/A	160094-0016	9	D	BROWN																																																																								
TOOL DES. REL.	N/A	160094-0017	9	E	GREEN																																																																								
TOOL DES. REL.	N/A	160094-0018	9	F	NATURAL																																																																								
NA	NA	NA	NA	NA	NA	<table border="1"> <tr> <td colspan="16">73</td> </tr> </table>																73																																																							
73																																																																													
SALEABLE	NOT APPLICABLE	34566-2503	0	A	BLACK	72	71	69	68	67	66	64	63	62	59	56	53	50	48	46	44	43	42	39	36	35	33	32	30	29	27	23	20	17	73				14	13	12	11	9	8	5	4	3	2	1																												
SALEABLE	NOT APPLICABLE	34566-2603	0	B	ST GRY	49	48	47	67	66	65	44	59	57	55	53	49	48	47	29	28	23	21	35	33	73				65	59	57	55	53	7	5	4	3	2	1																																					
SALEABLE	NOT APPLICABLE	34566-2703	0	B	ST GRY	49	48	47	65	59	57	55	53	49	48	47	29	28	23	21	35	33	73				65	59	57	55	53	7	5	4	3	2	1																																								
SALEABLE	TBD	34566-2803	0	H	ST GRY																																																																								
SALEABLE	NOT APPLICABLE	34566-2903	0	A	BLACK	72	71	70	69	68	67	66	64	63	62	61	59	55	54	53	52	51	49	48	44	43	42	41	39	35	34	33	32	31	29	27	25	23	19	18	17	73				16	13	12	11	9	8	7	6	5	4	3	2	1																			
SALEABLE	NOT APPLICABLE	34566-3003	0	A	BLACK	72	71	70	69	68	67	66	64	63	62	60	59	58	57	56	55	54	53	52	51	50	49	48	47	46	44	43	42	41	40	39	38	37	36	35	34	33	32	31	30	29	28	27	25	24	23	22	21	20	19	18	17	73				16	15	14	13	12	11	9	8	7	6	5	4	3	2	1	
SALEABLE	NOT APPLICABLE	34566-3103	0	B	ST GRY	49	48	46	65	59	57	55	53	49	48	46	62	59	57	55	53	49	48	46	29	26	23	21	35	33	73				65	59	57	55	53	15	9	8	7	4	3	18																															
SALEABLE	NOT APPLICABLE	34566-3203	0	B	ST GRY	50	49	48	67	60	59	58	57	56	55	53	50	49	48	46	42	39	37	35	34	33	32	29	23	22	21	18	73				16	15	14	29	7	6	5	4	3	18																															
SALEABLE	NOT APPLICABLE	34566-3303	0	B	ST GRY	50	49	48	59	58	57	56	55	53	50	49	48	46	42	39	38	37	35	34	33	32	29	23	22	21	18	73				16	15	14	29	7	6	5	4	3	18																																
SALEABLE	NOT APPLICABLE	34566-3403				SEE 34566-3003																																																																							
SALEABLE	NOT APPLICABLE	34566-3503	0	A	BLACK	72	71	69	68	67	66	64	63	62	60	59	35	33	52	49	48	46	44	43	42	40	39	24	23	17	73				32	29	27	24	23	14	13	12	11	9	8	7	6	5	4	3	2	1																									

MX123 52/66/73/80-WAY RECEPTACLE ASSY SEALED PIN OUT SHEET

STATUS	GM PART #	HRNS CONN ASSY			TPA	GROMMET CAP																						
		MATERIAL/PART	WIRE DRESS OPTION	KEY OPTION Fp	COLOR OPTION Fp	NUMBERS INDICATE CAVITIES OPEN FOR CIRCUITS																						
		NUMBER				Fp																						
SALEABLE	NOT APPLICABLE	34566-3603	0	B	ST GRY					68				64					59		57		55		53			
								49	48		46							39		37				35		33		
						73				32			29						23		21					18		
SALEABLE	NOT APPLICABLE	34566-3703	0	A	BLACK					68	67	66	65					59				55		53				
								49	48	47			44					39					35		33			
						73							29	28					23									
SALEABLE	NOT APPLICABLE	34566-3803	0	A	BLACK	72	71		69	68	67	66		64	63	62			59				56		53			
								50		48		46		44	43	42			39					36	35		33	
						73				32			30	29			27			23					20			17
SALEABLE	NOT APPLICABLE	34566-3903	0	B	ST GRY									65					59		57		55		53			
								49	48		46		44					39		37				35		33		
						73							29	28					24	23		21						
SALEABLE	NOT APPLICABLE	34566-4003	0	B	ST GRY						67	66		64	63			59		57		55		53				
								50	49	48				43				39		37				35		33		
						73				32			29			27			24	23		21					18	
SALEABLE	NOT APPLICABLE	34566-4103	0	A	BLACK	72	71		69	68	67	66		64	63	62		60	59					35		33		
						52			49	48		46	45	44	43	42		40	39									33
						73				32			29			27	26		24	23								
SALEABLE	NOT APPLICABLE	34566-4203	0	B	ST GRY									64				59		57		55		53				
								50	49	48		46						39		37				35		33		
						73				32			29					24	23		21						18	
SALEABLE	NOT APPLICABLE	34566-4303	0	A	BLACK			70	69	68	67		65	64	63		61	59	58	57	56							
								50	49	48	47					41			38	37	36				34	33		
						73				32	31	30	29	28	27			24	23				20	19	18			1
SALEABLE	NOT APPLICABLE	34566-4403	0	A	BLACK	72	71	70	69	68	67	66	65	64	63		61	59	58	57	56							
								50	49	48	47					41			38	37	36				34	33		
						73				32	31	30	29	28	27			24	23			6		4				
SALEABLE	NOT APPLICABLE	34566-4503	0	H	ST GRY		79	78	77	76	75	74	73	72	71	70	69	68		66	65	64	63		61			
						60	59	58	57	56				53			50							44	43		41	
						40	39	38	37		35	34	33	32			30	29		27	26			24	23	22	21	
SALEABLE	NOT APPLICABLE	34566-4603	0	H	ST GRY		79	78	77	76	75	74	73	72	71	70	69	68		66	65	64	63		61			
						60	59	58	57	56				53			50							44	43		41	
						40	39	38	37		35	34	33	32			30	29		27	26					22	21	
SALEABLE	NOT APPLICABLE	34566-4703	0	B	ST GRY						67	66	65	64					59	58	57		55		53			
								49	48	47			44					39	38	37				35		33		
						73							29						23	22	21							
SALEABLE	NOT APPLICABLE	34566-4803	0	A	BLACK	72	71		69	68	67	66		64	63	62	61		59						53			
										48				44		42	41		39						35		33	
						73				32			29			27		25		23								17
SALEABLE	NOT APPLICABLE	34566-4903	0	A	BLACK	72	71	70	69	68		66	65	64	63	62	61		59	58	57	56	55		53			
						52	51	50	49		47			44	43		41			38	37	36	35	34		33		
						73				32	31	30	29	28	27			24	23					20	19	18	17	
SALEABLE	NOT APPLICABLE	34566-5003	0	H	ST GRY		79	78	77	76	75	74	73	72	71	70	69	68		66	65	64	63		61			
						60	59	58	57	56				53	52		50							44	43		41	
						40	39	38	37		35	34	33	32			30	29		27	26					22	21	
SALEABLE	NOT APPLICABLE	34566-5003	0	H	ST GRY		79	78	77	76	75	74	73	72	71	70	69	68		66	65	64	63		61			
						60	59	58	57	56				53	52		50										41	
						40	39	38	37		35	34	33	32			30	29		27	26						21	

STATUS	GM PART #	HRNS CONN ASSY			TPA	GROMMET CAP																																		
		MATERIAL/PART	WIRE DRESS OPTION	KEY OPTION	COLOR	NUMBERS INDICATE CAVITIES OPEN FOR CIRCUITS																																		
		NUMBER		Fp	Fp																																			
SALEABLE	NOT APPLICABLE	34566-5103	0	B	ST GRAY																		59		57				55			53								
									49	48		67	66	65													39		37				35			33				
						73																				23		21												
SALEABLE	NOT APPLICABLE	34566-5203	0	A	BLACK		72	71		69	68	67	66		64	63	62							59	58	57	56			54	53									
							52	51	50	49	48	47	46		44	43	42									39	38	37	36	35	34	33								
						73																				32	31	30	29	27		24	23	22	21	20	19		17	
SALEABLE	NOT APPLICABLE	34566-5303	0	B	ST GRAY																																			
									50	49	48		46														39		37				35			33				
						73																				32		29												
SALEABLE	NOT APPLICABLE	34566-5403	0	B	ST GRAY																																			
									50	49	48		46	45													39	38	37			35	34	33						
						73																				32		29											18	
SALEABLE	NOT APPLICABLE	34566-5503	0	A	BLACK		72	71		69	68	67	66		64	63	62								59	58	57	56	55			53								
							52			49	48		46		44	43	42										39				35			33						
						73																				32		29		27	26		24	23					17	
SALEABLE	NOT APPLICABLE	34566-5603				SEE 34566-2503																																		
SALEABLE	NOT APPLICABLE	34566-5703	0	B	ST GRAY																																			
									49	48		46															39		37				35			33				
						73																																	18	17
SALEABLE	NOT APPLICABLE	34566-5803	0	B	ST GRAY																																			
									49	48	47																													
						73																																		
SALEABLE	NOT APPLICABLE	34566-5903	0	A	BLACK		72	71		69	68	67	66		64	63	62								59															
										49	48				44	43	42																							
						73																				32		29		27			23							
SALEABLE	NOT APPLICABLE	34566-6003	0	B	ST GRAY																																			
									49	48	47																													
						73																																		
SALEABLE	NOT APPLICABLE	34566-6103	0	B	ST GRAY																																			
									49	48	47																													
						73																																		
SALEABLE	NOT APPLICABLE	34566-6203	0	A	BLACK			71	70	69	68																													
							52	51	50	49		47																												
						73																				32	31	30	29	28	27		24	23			20	19	18	
SALEABLE	NOT APPLICABLE	34566-6303	0	A	BLACK			71	70	69	68																													
							52	51	50	49		47																												
						73																				32	31	30	29	28	27		24	23			20	19	18	
SALEABLE	NOT APPLICABLE	34566-6403	0	A	BLACK			71		69	68																													
							52		50	49		47																												
						73																				32	31	30	29	28	27		24	23			20	19	18	
SALEABLE	NOT APPLICABLE	34566-6503	0	A	BLACK			71		69	68																													
							52		50	49		47																												
						73																				32	31	30	29	28	27		24	23			20	19	18	

MX123 52/66/73/80-WAY RECEPTACLE ASSY SEALED PIN OUT SHEET

STATUS	GM PART #	HRNS CONN ASSY			TPA	GROMMET CAP																				
		MATERIAL/PART	WIRE DRESS OPTION	KEY OPTION Fp		COLOR OPTION Fp	NUMBERS INDICATE CAVITIES OPEN FOR CIRCUITS																			
		NUMBER					Fp																			
SALEABLE	NOT APPLICABLE	34566-6603	0	H	ST GRAY	60	79	78	77	76	75	74	73	72	71	70	69	68	66	65	64	63	61			
						40	39	38	37	35	34	33	32	30	29	27	26	44	43	22	21					
						20	19	18	17	16	14	13	12	8	6	5	3	2								
						79	78	77	76	75	74	73	72	71	70	69	68	66	65	64	63	61				
SALEABLE	NOT APPLICABLE	34566-6703	0	H	ST GRAY	60	59	58	57	56	53	52	50	44	43	22	21									
						40	39	38	37	35	34	33	32	30	29	27	26									
						20	19	18	17	16	14	13	12	11	10	9	8	6	5	3	2					
						79	78	77	76	75	74	73	72	71	70	69	68	66	65	64	63	61				
SALEABLE	NOT APPLICABLE	34566-6803	0	B	ST GRAY	65	59	57	55	53																
						49	48	46	44	39	37	35	33													
						73	29	28	23	21	7															
						64	59	57	55	53																
SALEABLE	NOT APPLICABLE	34566-6903	0	B	ST GRAY	49	48	46	44	39	37	35	33													
						73	32	29	23	21	18															
						64	59	57	55	53																
						73	32	29	23	21	7															
SALEABLE	NOT APPLICABLE	34566-7003	0	B	ST GRAY	67	66	59	57	56	55	53														
						50	49	48	47	39	37	36	35	33												
						73	29	23	21	18	17															
						67	66	59	57	56	55	53														
SALEABLE	NOT APPLICABLE	34566-7103	0	A	BLACK	72	71	70	69	68	67	66	64	63	62	60	59	55	54	53						
						52	49	48	44	43	42	40	39	35	34	33										
						73	32	29	28	27	24	23	19	18	17											
						73	16	13	12	11	9	8	7	6	5	4	3	2	1							
SALEABLE	NOT APPLICABLE	34566-7203	0	B	ST GRAY	72	71	70	69	68	67	66	65	64	63	62	60	59	55	54	53					
						52	49	48	44	43	42	39	35	34	33											
						73	32	29	27	24	23	20	19	18	17											
						73	16	13	12	11	9	8	7	6	5	4	3	2	1							
SALEABLE	NOT APPLICABLE	34566-7303	0	B	ST GRAY	69	68	66	44	39	37	35	33													
						49	48	46	29	28	23	21	18	17												
						73	12	11	10	7																
						59	57	55	53																	
SALEABLE	NOT APPLICABLE	34566-7403	0	B	ST GRAY	50	49	48	46	39	37	35	33													
						73	29	23	21																	
						15	7	6	5	4	3															
						72	71	70	69	68	67	66	64	63	62	60	59	58	57	56	55	54	53			
SALEABLE	NOT APPLICABLE	34566-7503	0	A	BLACK	52	51	50	49	48	47	46	44	43	42	40	39	38	37	36	35	34	33			
						73	32	31	30	29	28	27	24	23	22	21	20	19	18	17						
						73	16	15	14	13	12	11	9	8	7	6	5	4	3	2	1					
						69	68	66	44	39	37	35	33													
SALEABLE	NOT APPLICABLE	34566-7603	0	B	ST GRAY	49	48	46	44	39	37	35	33													
						73	29	28	23	21	18	17														
						12	11	10	7																	
						59	57	55	53																	
SALEABLE	NOT APPLICABLE	34566-7703	0	A	BLACK	72	71	70	69	68	67	66	64	63	62	60	59	55	54	53						
						52	49	48	44	43	42	40	39	35	34	33										
						73	32	29	27	24	23	19	18	17												
						73	16	13	12	11	9	8	7	6	5	4	3	2	1							
SALEABLE	NOT APPLICABLE	34566-7803	0	A	BLACK	72	71	70	68	66	64	63	62	61	60	59	58	57	56	55	54	53				
						52	49	48	46	44	43	42	40	39	35	34	33									
						73	32	29	28	27	24	23	19	18	17											
						73	16	14	13	12	11	9	8	7	6	3	2	1								
SALEABLE	NOT APPLICABLE	34566-7903	0	B	ST GRAY	64	42	39	35	33																
						73	23	20	19																	
						15	4	3	2	1																
						69	68	65	64	63	61	60	59	58	56	55	53									
SALEABLE	NOT APPLICABLE	34566-8003	0	A	BLACK	52	50	49	48	47	41	38	37	36	34	33										
						73	32	31	30	29	28	27	24	23	20	19	18	17								
						16	13	12	11	10	9															
						69	68	65	64	63	61	60	59	58	56	55	53									

MX123 52/66/73/80-WAY RECEPTACLE ASSY SEALED PIN OUT SHEET

STATUS	GM PART #	HRNS CONN ASSY			TPA	GROMMET CAP																						
		MATERIAL/PART	WIRE DRESS OPTION	KEY OPTION Fp	COLOR OPTION Fp	NUMBERS INDICATE CAVITIES OPEN FOR CIRCUITS																						
		NUMBER				Fp																						
SALEABLE	NOT APPLICABLE	34566-8103	0	H	ST GRAY	78								72	71	70	69	68		66	65	64	63		61			
						60	59	58	57	56			53	52		50						27	26		24		22	21
						40			37		35	34	33	32		30	29					8		6	5		3	2
SALEABLE	NOT APPLICABLE	34566-8203	0	A	BLACK			70			67	66							58		56	55	54					
										47			44	43	42	41		39				37	36		34			
						73				31	30			27		25	24						21	20	19	18		
SALEABLE	NOT APPLICABLE	34566-8303	0	A	BLACK	72	71		69	68	67	66		64	63	62			59	58	57	56		54	53			
						52	51	50	49	48	47	46		44	43	42			39	38	37	36	35	34	33			
						73				32	31	30	29		27			24	23	22	21	20	19		17			
SALEABLE	NOT APPLICABLE	34566-8403	0	B	ST GRAY								65	64					59		57		55	53				
								50	49	48		46							39		37		35		33			
						73				32			29					24	23		21							
SALEABLE	NOT APPLICABLE	34566-8503	0	B	ST GRAY								65	64					59		57		55	53				
						72	71	70	69	68	67	66	65	64	63	62			60	59					55	54	53	
						52			49	48				44	43	42				39					35	34	33	
SALEABLE	NOT APPLICABLE	34566-8603	0	A	BLACK				69	68		66							59		57		55	53				
									49	48		46		44					39	38	37		35		33			
						73						29	28					23		21					18	17		
SALEABLE	NOT APPLICABLE	34566-8703	0	B	ST GRAY				69	68		66		64					59		57		55	53				
								50	49	48	47		44					39		37		35		33				
						73						29	28					23		21					17			
SALEABLE	NOT APPLICABLE	34566-8803	0	B	ST GRAY					68	67	66	65					59	58	57			54	53				
							51	50	49	48		46	45		43	42		40	39	38	37						33	
						73				32	31	30			26		24	23	22		20							
SALEABLE	NOT APPLICABLE	34566-8903	0	H	ST GRAY			78								71	70	69	68	67	66	65	64	63	61			
								58	57	56			53	52		51	50								44	43		41
						40			37		35	34	33	32		30	29						27	26				22
SALEABLE	NOT APPLICABLE	34566-9003	0	B	ST GRAY				69	68		66							59		57		55	53				
									49	48		46		44					39		37		35		33			
						73						29	28					23		21					18			
SALEABLE	NOT APPLICABLE	34566-9103	0	A	BLACK					68			65		63		61		59	58		56			53			
						52	51	50			47						41			38	37	36	35	34	33			
						73				32	31	30	29	28	27		25	24	23	22	21	20	19	18	17			
SALEABLE	NOT APPLICABLE	34566-9203	0	A	BLACK	72	71	70	69	68	67	66		64	63	62		60	59					55	54	53		
						52			49	48				44	43	42			40	39	38				35	34	33	
						73						30	29	28	27			24	23		19	18	17					
SALEABLE	NOT APPLICABLE	34566-9303	0	A	BLACK																							
									69	68	67	66		64	63	62			59	58	57	56	55	54	53			
						72	71	70	69	68	67	66		64	63	62			59	58	57	56	55	54	53			
SALEABLE	NOT APPLICABLE	34566-9403	0	B	ST GRAY																							
							51	50	49	48		46	45		43	42	41	40	39	38	37			35			33	
						73				32	31	30			26		24	23	22		20							
SALEABLE	NOT APPLICABLE	34566-9503	0	A	BLACK					68	67	66	65															
						72	71	70	69	68			65	64	63			61		59	58	57	56					
						52	51		49		47							41			38	37	36		34	33		
73				32	31	30	29	28	27			24	23		20	19	18	17										

MX123 52/66/73/80-WAY RECEPTACLE ASSY SEALED PIN OUT SHEET

STATUS	GM PART #	HRNS CONN ASSY			TPA	GROMMET CAP																					
		MATERIAL/PART	WIRE DRESS OPTION	KEY OPTION Fp	COLOR OPTION Fp	NUMBERS INDICATE CAVITIES OPEN FOR CIRCUITS																					
		NUMBER				Fp																					
SALEABLE	NOT APPLICABLE	34566-9603	0	A	BLACK	52	71	70	69	68		66	65	64	63		61		59	58	57	56					
								50	49		47							41				38	37	36	35	34	33
						73			32	31	30	29	28	27				24	23					20	19	18	17
SALEABLE	NOT APPLICABLE	34566-9703	0	A	BLACK	72	71	70	69	68			65	64	63		61		59		57	56					
						52	51	50	49		47						41				38	37	36		34	33	
						73			32	31	30	29	28	27				24	23					20	19	18	
SALEABLE	NOT APPLICABLE	34566-9803	0	A	BLACK	72	71	70	69	68			65	64	63		61		59		57	56					
						52	51	50	49		47						41				38	37	36		34	33	
						73			32	31	30	29	28	27				24	23					20	19	18	
SALEABLE	NOT APPLICABLE	34566-9903	0	A	BLACK		71		69	68			65	64	63		61		59	58	57	56					
						52		50	49		47						41				38	37	36		34	33	
						73			32	31	30	29	28	27				24	23					20	19	18	17
SALEABLE	NOT APPLICABLE	34566-1013	0	A	BLACK		71		69	68			65	64	63		61		59	58	57	56					
						52		50	49		47						41				38	37	36		34	33	
						73			32	31	30	29	28	27				24	23					20	19	18	17
SALEABLE	NOT APPLICABLE	34566-1023	0	A	BLACK			70		68			66	65					58	57		55	54				
								50	49		47			44	43	42	41		39			37		35			
						73			32		30			27		25	24				21	20	19	18	17		
SALEABLE	NOT APPLICABLE	34566-1033	0	A	BLACK			70		68			66	65					58	57		55	54				
								50	49		47			44	43	42	41		39			37		35			
						73			32		30			27		26	25	24			21	20	19	18	17		
SALEABLE	NOT APPLICABLE	34566-1043	0	B	ST GRAY		71	70		68			66	65					59	58	57			54	53		
							51	50	49	48		46	45		43		41	40	39	38	37	36	35				
						73			32	31	30						24	23	22		20						
SALEABLE	NOT APPLICABLE	34566-1053	0	H	ST GRAY		79	78	77	76	75	74	73	72	71	70	69	68		66	65	64	63		61		
						60	59	58	57	56			53	52		50						44	43				
						40	39	38	37		35	34	33	32		30	29		27	26						22	21
SALEABLE	NOT APPLICABLE	34566-1063	0	B	ST GRAY					68	67	66	65	64				60	59		57	56	55		53		
									49	48	47			44				40	39		37	36	35				
						73						29	28					24	23		21						
SALEABLE	NOT APPLICABLE	34566-1073	0	A	BLACK	72	71	70	69	68	67	66	65	64	63		61		59	58	57	56			54		
								50	49	48	47						42	41			38	37	36		34	33	
						73			32	31	30	29	28	27	26		24	23			20	19	18				
SALEABLE	NOT APPLICABLE	34566-1083	0	B	ST GRAY					68	67	66	65	64				59	58	57		55	54	53			
							51	50	49	48		46	45		43	42	41	40	39	38	37		35		33		
						73			32	31	30			26		24	23	22		20							
SALEABLE	NOT APPLICABLE	34566-1093	0	A	BLACK			70		68	67	66						58		56	55	54					
									49		47			44	43	42	41		39		37	36		34			
						73				31	30			27		25	24			21	20	19	18				
SALEABLE	NOT APPLICABLE	34566-1123	0	H	ST GRAY			78					72	71	70	69	68	67	66	65	64	63		61			
								58	57	56			53	52	51	50						44	43				
						40			37		35	34	33	32		30	29		27	26					22	21	
SALEABLE	NOT APPLICABLE	34566-1133	0	A	BLACK			70		68	67	66					61		58	57		55	54				
									49		47			45	44	43	42	41		39		37		34			
						73			32		30			27		25	24			21	20	19	18				

MX123 52/66/73/80-WAY RECEPTACLE ASSY SEALED PIN OUT SHEET

STATUS	GM PART #	HRNS CONN ASSY			TPA	GROMMET CAP																					
		MATERIAL/PART	WIRE DRESS OPTION	KEY OPTION Fp	COLOR OPTION Fp	NUMBERS INDICATE CAVITIES OPEN FOR CIRCUITS																					
		NUMBER				Fp																					
SALEABLE	NOT APPLICABLE	34566-1143	0	A	BLACK	52		50		68			65		63		61		59	58		56			53		
										32	31	30	29	28	27		25	24	23	22	21	20	19	18	17		
						73			16	15	14	13	12	11	10	9											1
SALEABLE	NOT APPLICABLE	34566-1153	0	A	BLACK			70				67	66	65					58	57		55					
								49				47			44	43	42	41		39		37					
						73			32			30			27		25	24	23		21	20	19	18			
SALEABLE	NOT APPLICABLE	34566-1163	0	H	ST GRAY			78						72	71	70	69	68		66	65	64	63		61		
						60	59	58	57	56			53	52		50								44	43		41
						40			37		35	34		32		30	29		27	26							22
SALEABLE	NOT APPLICABLE	34566-1173	0	A	BLACK	20	19	18	17	16			13	12				8		6	5		3	2			
						72	71		69	68			65	64	63	62	61	60	59	58		56		54			
						52		50	49	48	47		45			42	41		38	37	36		34	33			
SALEABLE	NOT APPLICABLE	34566-1183	0	B	ST GRAY	73			32	31	30	29	28	27	26		24	23		20	19	18	17				
										16			13	12	11	10	9										
									49	48	47			44		42			39		37		35				
SALEABLE	NOT APPLICABLE	34566-1193	0	A	BLACK	73						29	28				9		7								
						72	71		69	68	67	66		64	63	62		60	59						54	53	
						52			49	48		46		44	43	42			39							34	33
SALEABLE	NOT APPLICABLE	34566-1213	0	A	BLACK	73			32			29		27			23						17				
										14	13	12	11		9	8	7	6	5	4	3	2	1				
						72	71		69	68	67	66		64	63	62		59							54	53	
SALEABLE	NOT APPLICABLE	34566-1223	0	B	ST GRAY	52				48		46		44	43	42			39					33			
						73			32			29		27	26		23	21									
												12			9	7											
SALEABLE	NOT APPLICABLE	34566-1233	0	B	ST GRAY					48		46			42		39		37		35		33				
						73						29		26		23	21										
												12			9	7											
SALEABLE	NOT APPLICABLE	34566-1243	0	B	ST GRAY			50		48		46					39		37		35		33				
						73						29				23	21									17	
										15			12				7	6	5	4	3						
SALEABLE	NOT APPLICABLE	34566-1253	9	B	ST GRAY				49	48		46				60	59		57		55		53				
						73										40	39		37		35						
																24	23		21							2	
SALEABLE	NOT APPLICABLE	34566-1263	9	A	BLACK	NUMBERS IN BOLD MUST USE SAE WIRE MEETING SAE J1128, WIRE SIZE (NO.20) OR (NO.18 MAX. O.D. OF 2.06 MM) PER G.M. DRAWING NUMBER 12582682.																					
						72	71		69	68	67	66		64	63	62		59				56				53	
								50		48		46		44	43	42			39				36	35			33
SALEABLE	NOT APPLICABLE	34566-1273	0	A	BLACK	73			32		30	29		27		24	23		20				17				
										14	13	12	11		9	8		5	4	3	2	1					
								70	69	68			65	64	63		61		59	58	57	56				54	
SALEABLE	NOT APPLICABLE	34566-1283	0	A	BLACK	52		50	49	48	47					41			38	37	36		34	33			
						73			32	31	30	29	28	27		24	23					20	19	18			
										16			13	12	11	10	9										1

MX123 52/66/73/80-WAY RECEPTACLE ASSY SEALED PIN OUT SHEET

STATUS	GM PART #	HRNS CONN ASSY			TPA	GROMMET CAP																					
		MATERIAL/PART	WIRE DRESS OPTION	KEY OPTION Fp	COLOR OPTION Fp	NUMBERS INDICATE CAVITIES OPEN FOR CIRCUITS																					
		NUMBER				Fp																					
SALEABLE	NOT APPLICABLE	34566-1293	0	A	BLACK	52		50		68			65		63		61		59	58		56			34	33	
						73				32	31	30	29	28	27			24	23					20	19	18	17
						73				16				13	12	11	10	9									
SALEABLE	NOT APPLICABLE	34566-1313	0	H	ST GRY	80		78						72	71	70	69	68		66	65	64	63		61		
								58	57	56	55	54	53									46		44	43	42	
						40			37		35				32		30	29		27	26						
SALEABLE	NOT APPLICABLE	34566-1323	0	A	BLACK	72	71	70	69	68	67	66	65	64	63	62		60	59	58	57	56	55	54	53		
						52	51	50	49	48	47	46	45	44	43	42	41	40	39	38	37	36	35	34	33		
						73				32	31	30	29	28	27			25	24	23	22	21	20	19	18	17	
SALEABLE	NOT APPLICABLE	34566-1333	0	A	BLACK			70	69	68			65	64				59	58		56						
						52		50	49		47					41				38	37	36			34		
						73				32	31	30	29	28	27					23				20	19	18	17
SALEABLE	NOT APPLICABLE	34566-1343	0	A	BLACK				69				65	64	63				59	58	57	56					
								50	49	48	47							41				38	37	36			34
						73				32	31	30	29	28	27					23				20	19	18	17
SALEABLE	NOT APPLICABLE	34566-1353	0	H	ST GRY		79	78	77	76	75	74	73	72	71	70	69	68		66	65	64	63		61		
						60	59	58	57	56			53				50							44	43		41
						40	39	38	37		35	34			32		30	29		27	26						22
SALEABLE	NOT APPLICABLE	34566-1363	0	A	BLACK	72	71		69	68	67	66		64	63	62			59							53	
										48		46		44	43	42				39							33
						73				32			29		27			24	23								
SALEABLE	NOT APPLICABLE	34566-1373	0	B	ST GRY							66	65			62			59		57		55		53		
										48		46				42			39			37		35			33
						73							29			26			23			21					
SALEABLE	NOT APPLICABLE	34566-1383	0	B	ST GRY				49	48	47	46						59	58	57		55			53		
																			39	38	37		35				33
						73							29						23	22	21						
SALEABLE	NOT APPLICABLE	34566-1393	0	A	BLACK			70			67	66				61			58	57		55	54				
											47		45	44	43	42	41		39			37				34	
						73				32		30				27		25	24			21	20	19	18		
SALEABLE	NOT APPLICABLE	34566-1423	0	B	ST GRY					68	67	66	65			61	60	59	58	57				54	53		
							51	50	49	48	47	46	45		43	42	41	40	39	38	37		35	34	33		
						73				32	31	30				26		24	23	22	21	20					
SALEABLE	NOT APPLICABLE	34566-1433	0	B	ST GRY							66		64				59		57		55		53			
									49	48		46							39			37		35			33
						73				32			29						23			21				18	17
SALEABLE	NOT APPLICABLE	34566-1443	0	B	ST GRY				69	68		66						59		57		55			53		
									49	48		46							39			37		35			33
						73							29						23			21					
SALEABLE	NOT APPLICABLE	34566-1453	0	B	ST GRY				49	48	47			66	65	64		62		59		57		55		53	
														44		42			39			37		35			33
						73							29	28		26			23			21					
SALEABLE	NOT APPLICABLE	34566-1463	0	A	BLACK				69	68			65	64	63	62	61	60	59	58		56			34	33	
						52		50	49	48	47		45				41			38	37	36					
						73				32	31	30	29	28	27			24	23					20	19	18	17

MX123 52/66/73/80-WAY RECEPTACLE ASSY SEALED PIN OUT SHEET

STATUS	GM PART #	HRNS CONN ASSY			TPA	GROMMET CAP																					
		MATERIAL/PART	WIRE DRESS OPTION	KEY OPTION Fp	COLOR OPTION Fp	NUMBERS INDICATE CAVITIES OPEN FOR CIRCUITS																					
		NUMBER				Fp																					
SALEABLE	NOT APPLICABLE	34566-1473	0	A	BLACK	72	71		69	68	67	66		64	63	62			59					54	53		
						52			49	48		46		44	43	42			39							34	33
						73				32			29		27			24	23								
SALEABLE	NOT APPLICABLE	34566-1483	0	A	BLACK	72	71		69	68			65	64	63		61		59	58		56					
						52		50	49		47					41			38	37	36				34	33	
						73				32	31	30	29	28	27		24	23			20	19	18	17			
SALEABLE	NOT APPLICABLE	34566-1493	0	B	ST GRAY				68								59	58	57		55			53			
									49	48		46						39	38	37		35				33	
						73							29					23	22	21						18	17
SALEABLE	NOT APPLICABLE	34566-1513	0	B	ST GRAY								65					59		57		55		53			
									49	48		46						39		37		35				33	
						73							29					23		21							17
SALEABLE	NOT APPLICABLE	34566-1523	0	A	BLACK			70	69	68			65	64				59	58		56		54				
						52		50	49		47					42	41			38	37	36			34		
						73				32	31	30	29	28	27	26			23			20	19	18	17		
SALEABLE	NOT APPLICABLE	34566-1533	0	A	BLACK	72	71	70	69	68			65	64	63		61		59	58	57	56					
						52	51	50	49		47						41			38	37	36			34	33	
						73				32	31	30	29	28	27		24	23					20	19	18	17	
SALEABLE	NOT APPLICABLE	34566-1543	0	B	ST GRAY				69	68		66					59		57		55			53			
									49	48		46						39		37		35				33	
						73							29					23		21							
SALEABLE	12582677	34566-1553	0	A	BLACK																						
						73																					
TOOL DESIGN SALEABLE	NOT APPLICABLE	34566-1563	9	A	BLACK																						
73																											
TOOL DESIGN SALEABLE	NOT APPLICABLE	34566-1573	9	H	ST GRAY																						
73																											
SALEABLE	NOT APPLICABLE	34566-1583	0	A	BLACK			70			67	66	65				61		58	57		55	54				
									49		47		45	44	43	42	41		39		37			34			
						73				32		30			27		25	24			21	20	19	18	17		
SALEABLE	NOT APPLICABLE	34566-1593	0	B	ST GRAY					67		65				61	60	59	58	57		54	53				
							51	50	49	48	47	46	45		43	42		40	39		37			34	33		
						73				32	31	30				26		24	23	22	21	20					
SALEABLE	NOT APPLICABLE	34566-1613	0	H	ST GRAY		79	78	77	76	75	74	73	72	71	70	69	68		66	65	64	63		61		
						60	59	58	57	56			53			50							44	43		41	
						40	39	38	37		35	34	33	32		30	29		27	26			24	23	22	21	
SALEABLE	NOT APPLICABLE	34566-1623	0	B	ST GRAY							66	65			62		59		57		55		53			
										48	47				42			39		37		35				33	
						73							29			26		23		21							17
SALEABLE	NOT APPLICABLE	34566-1633	0	B	ST GRAY				69	68		66					59		57		55			53			
								50		48	47							39		37		35				33	
						73							29			12	11	10			23		21				17

MX123 52/66/73/80-WAY RECEPTACLE ASSY SEALED PIN OUT SHEET

STATUS	GM PART #	HRNS CONN ASSY			TPA	GROMMET CAP																						
		MATERIAL/PART	WIRE DRESS OPTION	KEY OPTION Fp	COLOR OPTION Fp	NUMBERS INDICATE CAVITIES OPEN FOR CIRCUITS																						
		NUMBER				Fp																						
SALEABLE	NOT APPLICABLE	34566-1643	0	B	ST GRAY				69	68		66							59		57		55		53			
								50		48		46									39		37		35		33	
						73								29								23		21				17
SALEABLE	NOT APPLICABLE	34566-1653	0	B	ST GRAY							66							59		57		55		53			
								50		48		46									39		37		35		33	
						73								15				12	11	10			7	6	5	4	3	
SALEABLE	NOT APPLICABLE	34566-1663	0	B	ST GRAY							66							59		57		55		53			
								50		48		46									39		37		35		33	
						73											29						23		21			17
SALEABLE	NOT APPLICABLE	34566-1673	0	A	BLACK	72	71	70	69	68	67	66	65	64	63	62		60	59					55	54	53		
						52			49	48			45	44	43	42	41	40	39							35	34	33
						73								32			29			27			25	24	23			19
SALEABLE	NOT APPLICABLE	34566-1683	0	B	ST GRAY							67	66			63			59	58	57	56	55		53			
								50	49	48											39	38	37	36	35		33	
						73																29		27			23	22
SALEABLE	NOT APPLICABLE	34566-1693	0	B	ST GRAY							66		64					59		57		55		53			
								49	48		46										39		37		35		33	
						73								32			29						23		21			
SALEABLE	NOT APPLICABLE	34566-1713	0	B	ST GRAY		71	70		68		66	65	64	63		60	59	58	57	56	55	54	53				
							51	50	49	48		46	45		43		41	40	39	38	37	36	35				33	
						73								32	31	30					24	23	22		20	19		
SALEABLE	NOT APPLICABLE	34566-1723	0	B	ST GRAY		71	70		68		66	65				60	59	58	57				54	53			
							51	50	49	48		46	45		43		41	40	39	38	37	36	35				33	
						73								32	31	30					24	23	22		20			
SALEABLE	NOT APPLICABLE	34566-1733	0	A	BLACK			70		68	67	66	65					58	57			55						
								49	48		47			44	43	42	41		39		37		35					
						73								32		30				27		25	24		21	20	19	18
SALEABLE	NOT APPLICABLE	34566-1743	0	A	BLACK			70		67	66	65					58	57			55							
								49	48		47			44	43	42	41		39		37		35					
						73								32		30				27		25	24		21	20	19	18
SALEABLE	NOT APPLICABLE	34566-1753	0	A	BLACK			70		67	66	65					58	57			55							
								49	48		47			44	43	42	41		39		37		35					
						73								32					27		25	24		21	20	19	18	17
SALEABLE	NOT APPLICABLE	34566-1763	0	B	ST GRAY			70		67	66	65					58	57			55							
							51	50	49	48	47	46	45		43			40	39		37		35				34	33
						73								32	31	30				26		24	23	22	21	20		
SALEABLE	NOT APPLICABLE	34566-1773	0	C	BLUE	72		70				67	66			63	62			59		57			53			
						52	51					46		44		42		40	39								34	33
						73									30				27	26	25			22	21	20		
SALEABLE	NOT APPLICABLE	34566-1783	0	C	BLUE			70				67	66			63	62			59		57			53			
						52	51					46		44		42		40	39								34	33
						73									30				26	25			22	21	20			
SALEABLE	NOT APPLICABLE	34566-1793	0	A	BLACK				69							63	62	61			58	57	56	55	54	53		
						52	51		49					44	43	42	41						37	36	35	34	33	
						73								32			29	28	27	26							19	18

MX123 52/66/73/80-WAY RECEPTACLE ASSY SEALED PIN OUT SHEET

STATUS	GM PART #	HRNS CONN ASSY			TPA	GROMMET CAP																					
		MATERIAL/PART	WIRE DRESS OPTION	KEY OPTION Fp	COLOR OPTION Fp	NUMBERS INDICATE CAVITIES OPEN FOR CIRCUITS																					
		NUMBER																									
SALEABLE	NOT APPLICABLE	34566-1813	0	B	ST GRAY	72	71	70		68	67	66				62	61	60	59	58	57	56	55	54	53		
						52	51	50		48	47	46				42	41	40	39	38	37	36	35	34	33		
						73				32	31	30	29	28	27	26	25	24	23								
SALEABLE	NOT APPLICABLE	34566-1823	0	A	BLACK	72	71	70	69	68		66	65	64			61		59	58		56		54	53		
						52		50	49		47					42	41			38	37	36		34	33		
						73				32	31	30	29	28	27	26		24	23	22	21	20	19	18	17		
SALEABLE	NOT APPLICABLE	34566-1833	0	A	BLACK					68		65		63		61		59	58		56						
						52		50			47					41			38	37	36		34	33			
						73				32	31	30	29	28	27		25	24	23			20	19	18	17		
SALEABLE	NOT APPLICABLE	34566-1843	0	A	BLACK					68		65		63		61		59	58		56			53			
						52		50			47					41			38	37	36		34	33			
						73				32	31	30	29	28	27		25	24	23			20	19	18	17		
SALEABLE	NOT APPLICABLE	34566-1853	0	A	BLACK			70	69	68	67		65		63		61	60			57	56	55	54	53		
						52		50	49	48	47			44	43		41	40			37	36	35	34	33		
						73						30	29	28			25	24			21	20	19	18	17		
SALEABLE	NOT APPLICABLE	34566-1863	0	B	ST GRAY					68	67		66	65	64	63											
												46	45		43												
						73				32		30	29	28	27												
SALEABLE	NOT APPLICABLE	34566-1873	0	C	BLUE	72		70			67	66			63	62			59		57				53		
						52	51					46		44		42		40	39							34	33
						73				32		30			27	26	25			22	21	20					
SALEABLE	NOT APPLICABLE	34566-1883	0	A	BLACK			70		68	67	66	65					58	57		55						
									49		47			44	43	42	41	40	39		37		35				
						73				32		30			27		25	24			21	20	19	18	17		
SALEABLE	NOT APPLICABLE	34566-1893	0	C	BLUE			70				66			63			59		57					53		
						52	51					46		44		42		40	39							34	33
						73				32		30			27	26	25			22	21	20					
SALEABLE	NOT APPLICABLE	34566-1913	0	B	ST GRAY			70		68		66					60	59					55	54	53		
						52		50		48		46					40	39							35	34	33
						73				32	31	30	29	28	27	26	25	24									
SALEABLE	NOT APPLICABLE	34566-1923	0	A	BLACK				69						63				58		56	55	54	53			
						52	51		49					44	43	42	41						36	35	34	33	
						73				32				28		26								19	18		
SALEABLE	NOT APPLICABLE	34566-1933	0	A	BLACK			70			67	66	65					58	57		55						
									49		47			44	43	42	41	40	39		37		35				
						73				32		30			27		25	24			21	20	19	18	17		
SALEABLE	NOT APPLICABLE	34566-1943	0	A	BLACK			70			67	66	65					58	57		55						
							51		49		47			44	43	42	41	40	39		37		35				
						73				32		30			27		25	24			21	20	19	18	17		
SALEABLE	NOT APPLICABLE	34566-1953	0	C	BLUE			70				66			63			59		57					53		
						52	51			48	47	46		44		42		40	39							34	33
						73						30				26	25			22	21	20					
SALEABLE	NOT APPLICABLE	34566-1963	0	C	BLUE			70				66			63			59		57					53		
						52	51					46		44		42		40	39							34	33
						73						30				26	25			22	21	20					

MX123 52/66/73/80-WAY RECEPTACLE ASSY SEALED PIN OUT SHEET

STATUS	GM PART #	HRNS CONN ASSY			TPA	GROMMET CAP																						
		MATERIAL/PART	WIRE DRESS OPTION	KEY OPTION Fp	COLOR OPTION Fp	NUMBERS INDICATE CAVITIES OPEN FOR CIRCUITS																						
		NUMBER				Fp																						
SALEABLE	NOT APPLICABLE	34566-1973	0	A	BLACK	52	51		69														56	55	54	53		
									49						44	63	42	41							36	35	34	33
						73				32				28		26			23					21			19	18
SALEABLE	NOT APPLICABLE	34566-1983	0	B	ST GRAY																							
						73																						
SALEABLE	NOT APPLICABLE	34566-1993	0	C	BLUE																							
						73																						
SALEABLE	NOT APPLICABLE	34566-2013	0	A	BLACK		71	70					65					60	59	58	57				54	53		
							51	50	49	48		46	45		43		41	40	39		37	36	35					33
						73				32	31	30						24	23	22		20						
SALEABLE	NOT APPLICABLE	34566-2023	0	A	BLACK			70		68	67	66	65							58	57				55			
									49		47			44	43	42	41		39		37		35					
						73				32		30				27		25	24			21	20	19	18	17		
SALEABLE	NOT APPLICABLE	34566-2033	0	A	BLACK		71	70					65	64				60	59	58	57				54	53		
							51	50	49	48		46	45		43		41	40	39		37	36	35					33
						73				32	31	30						24	23	22		20						
SALEABLE	NOT APPLICABLE	34566-2043	0	A	BLACK			70			67	66	65						58	57				55				
									49		47			44	43	42	41		39		37		35					
						73				32		30				27		25	24			21	20	19	18	17		
SALEABLE	NOT APPLICABLE	34566-2053	0	B	ST GRAY			70		68	67	66	65						58	57				55				
									49		47			44	43	42	41		39		37		35					
						73				32		30				27		25	24	23		21	20	19	18			
SALEABLE	NOT APPLICABLE	34566-2063	0	H	ST GRAY			78						72	71	70	69	68		66	65	64	63		61			
								58	57	56			53	52		50						44	43				41	
						40			37		35	34			32		30	29		27	26						22	21
SALEABLE	NOT APPLICABLE	34566-2073	0	H	ST GRAY			78						72	71	70	69	68		66	65	64	63		61			
								58	57	56			53	52		50						44	43				41	
						40			37		35	34			32		30	29		27	26						22	21
SALEABLE	NOT APPLICABLE	34566-2083	0	H	ST GRAY			78						72	71	70	69	68	67	66	65	64	63		61			
								58	57	56			53	52	51	50						44	43				41	
						40			37		35	34			32		30	29		27	26						22	21
SALEABLE	NOT APPLICABLE	34566-2093	0	A	BLACK					68			65		63		61		59	58			56					
								50			47					41		39	38	37		36			34	33		
						73				32	31	30	29	28	27		25	24	23			20	19	18	17			
SALEABLE	NOT APPLICABLE	34566-2113	0	H	ST GRAY		79	78	77	76	75	74	73	72	71	70	69	68		66	65	64	63		61			
							60	59	58	57	56	55		53	52		50					44	43	42	41			
						40	39	38	37		35	34	33	32		30	29		27	26							22	21
SALEABLE	NOT APPLICABLE	34566-2123	0	H	ST GRAY		79	78	77	76	75	74	73	72	71	70	69	68		66	65	64	63		61			
							60	59	58	57	56	55		53	52		50					44	43	42	41			
						40	39	38	37		35	34	33	32		30	29		27	26							22	21
SALEABLE	NOT APPLICABLE	34566-2133	0	B	ST GRAY		71	70					65	64				60	59	58	57			55	54	53		
							51	50	49	48		46	45		43		41	40	39		37	36	35					33
						73				32	31	30						24	23	22		20						

MX123 52/66/73/80-WAY RECEPTACLE ASSY SEALED PIN OUT SHEET

STATUS	GM PART #	HRNS CONN ASSY			TPA	GROMMET CAP																				
		MATERIAL/PART	WIRE DRESS OPTION	KEY OPTION Fp	COLOR OPTION Fp	NUMBERS INDICATE CAVITIES OPEN FOR CIRCUITS																				
		NUMBER				Fp																				
SALEABLE	NOT APPLICABLE	34566-2143	0	B	ST GRY	71	70					65				60	59	58	57			54	53			
						51	50	49	48		46	45		43		41	40	39		37	36	35			33	
						73			32	31	30					24	23	22		20						
SALEABLE	NOT APPLICABLE	34566-2153	0	A	BLACK	70			68	67	66	65						58	57		55					
								49		47			44	43	42	41		39		37						
						73			32		30			27		25	24	23		21	20	19	18			
SALEABLE	NOT APPLICABLE	34566-2163	0	A	BLACK	70				67	66					61			58		55	54				
								49		47		45	44	43	42	41		39		37				34		
						73			32					27		24			21	20	19	18	17			
SALEABLE	NOT APPLICABLE	34566-2173	0	A	BLACK	70				67	66	65				61			58		55	54				
								49		47		45	44	43	42	41		39		37				34		
						73			32		30			27		25	24		21	20	19	18	17			
SALEABLE	NOT APPLICABLE	34566-2183	0	A	BLACK	70				67	66						58	57		55						
								49		47			44	43	42	41		39		37						
						73			32					27		24			21	20	19	18	17			
SALEABLE	NOT APPLICABLE	34566-2193	0	A	BLACK	70				67	66	65					58	57		55						
								49		47			44	43	42	41		39		37						
						73			32		30			27		25	24		21	20	19	18	17			
SALEABLE	NOT APPLICABLE	34566-2213	9	H	ST GRY	79	78	77	76	75	74	73	72	71	70	69	68		66	65	64	63		61		
						60	59	58	57	56			53		50							44	43		41	
						40	39	38	37		35	34	33	32		30	29		27	26		24	23	22	21	
SALEABLE	NOT APPLICABLE	34566-2223	0	A	BLACK	72	71	70	69	68	67	66		64	63	62		60	59			55	54	53		
						52			49	48		46		44	43	42		40	39				35	34	33	
						73			32			29		27		24	23				19	18	17			
SALEABLE	NOT APPLICABLE	34566-2233	0	A	BLACK	69								63				58		56	54					
						52	51	50	49				44	43	42	41					36	35	34	33		
						73			32				28		26						19	18				
SALEABLE	NOT APPLICABLE	34566-2243	0	H	ST GRY	79	78	77	76	75	74	73	72	71	70	69	68		66	65	64	63		61		
						60	59	58	57	56			53	52		50						44	43		41	
						40	39	38	37		35	34	33	32		30	29		27	26		24	23	22	21	
SALEABLE	NOT APPLICABLE	34566-2253	0	A	BLACK	72	71	70	69	68		66	65	64	63		61		59	58		56	54	53		
						52		50	49		47				42	41			38	37	36		34	33		
						73			32	31	30	29	28	27	26		24	23	22	21	20	19	18	17		
SALEABLE	NOT APPLICABLE	34566-2263	0	A	BLACK	69								63				58		56	55	54	53			
						52	51	50	49				44	43	42	41					36	35	34	33		
						73			32				28		26						19	18				
SALEABLE	NOT APPLICABLE	34566-2273	0	A	BLACK	69								63	62	61			58	57	56	55	54	53		
						52	51	50	49				44	43	42	41				37	36	35	34	33		
						73			32			29	28	27	26						19	18				
SALEABLE	NOT APPLICABLE	34566-2283	0	B	ST GRY	49			68	67	66	65	64	63							55					
									48		46	45	44	43												
						73			32		30	29	28	27												
SALEABLE	NOT APPLICABLE	34566-2293	0	C	BLUE	72		70		68		66		63				59		57				53		
						52	51			48	47	46		44		42		40	39					34	33	
						73					30				26	25			22	21						

MX123 52/66/73/80-WAY RECEPTACLE ASSY SEALED PIN OUT SHEET

STATUS	GM PART #	HRNS CONN ASSY			TPA	GROMMET CAP																											
		MATERIAL/PART	WIRE DRESS OPTION	KEY OPTION Fp	COLOR OPTION Fp	NUMBERS INDICATE CAVITIES OPEN FOR CIRCUITS																											
		NUMBER				Fp																											
SALEABLE	NOT APPLICABLE	34566-2313	0	C	BLUE	72	51	70					66			63			59		57								34	53			
						52							46		44			42		40	39					22	21						
						73							30					26	25			6											
						72	51	70		68			66			63			59			57								34	53		
						52				48	47	46		44			42		40	39										34	53		
						73							30				26	25			22	21	20										
						71	69		68				65	64	63			61		59		57	56										
						52		50	49			47					41		39	38	37	36							34	33			
						73						32	31	30	29	28	27		24	23	22		20	19	18								
									16				13	12	11	10	9													1			
						72		70		68	67	66	65									58	57						55				
								49		47				44	43	42	41		39		37								35				
						73							32		30			27		25	24					21	20	19	18	17			
										15	14	13					9	8			6	5			3					1			
						72		70		67	66	65										58	57						55				
								49		47			44	43	42	41		39		37									35				
						73							32		30			27		25	24					21	20	19	18	17			
										15	14	13					9	8			6	5			3								
						72		70		67	66	65										58	57						55				
								49		47			44	43	42	41		39		37									35				
						73							32		30			27		25	24					21	20	19	18	17			
										15	14	13					9	8			6	5			3								
						72		70		67	66	65										58	57						55				
										47			44	43	42	41		39		37									35				
						73							32		30			27		25	24					21	20	19	18	17			
										15	14	13					9	8			6	5			3								
						72		70		67	66	65										58	57						55				
										47			44	43	42	41		39		37									35				
						73							32		30			27		25	24					21	20	19	18	17			
										15	14	13					9	8			6	5			3								
						52		50	49				44	43	42	41													36	35	34	33	
						73							32			28		26											19	18			
										16			12			10			7	6									3				
						71	69						65	64	63							56	55	54	53								
						52		51	49				44	43	42	41													36	35	34	33	
						73							32		30			28		26									19	18			
										16			12			10			7	6													
						72		70		68			66			63			59			57									53		
										48	47	46		44																34	33		
						73							32		30			26	25			22	21	20									
										15	14	13					10	9			6	5	4										
						71	69						65	64	63							56	55	54	53								
						52		51	49				45	44	43	42	41												37	36	35	34	33
						73							32		30		28		26			23							19	18			
										16			12			10			7	6													
						71	69						65	64	63							57	56	55	54	53							
						52		51	49				45	44	43	42	41												37	36	35	34	33
						73							32		30		29	28		26									19	18			
										16			12			10			7	6													

MX123 52/66/73/80-WAY RECEPTACLE ASSY SEALED PIN OUT SHEET

STATUS	GM PART #	HRNS CONN ASSY			TPA	GROMMET CAP																						
		MATERIAL/PART	WIRE DRESS OPTION	KEY OPTION Fp	COLOR OPTION Fp	NUMBERS INDICATE CAVITIES OPEN FOR CIRCUITS																						
		NUMBER				Fp																						
SALEABLE	NOT APPLICABLE	34566-2473	0	A	BLACK			70		68	67	66	65						58	57		55						
								49			47		30			44	43	42	41		39			21	20	19	18	17
						73													9	8			6	5		3		1
SALEABLE	NOT APPLICABLE	34566-2483	0	A	BLACK				69							63	62	61			58	57	56	55	54	53		
						52	51		49					44	43	42	41					37	36	35	34	33		
						73					32			29	28	27	26				23					19	18	
SALEABLE	NOT APPLICABLE	34566-2493 SAME AS P/N 34566-3863	0	B	ST GRN	72	71	70		68	67	66				62	61	60	59	58	57	56	55	54	53			
						52	51	50		48	47	46				42	41	40	39	38	37	36	35	34	33			
						73					32	31	30	29	28	27	26	25	24									2
SALEABLE	NOT APPLICABLE	34566-2513	0	C	BLUE	72		70		68	67	66			63	62			59		57				53			
						52	51			48	47	46		44		42		40	39							34	33	
						73					32		30			27	26	25				22	21	20				
SALEABLE	NOT APPLICABLE	34566-2523	0	A	BLACK	72	71	70	69	68	67	66	65	64	63	62		60	59					55	54	53		
						52			49	48			45	44	43	42	41	40	39							35	34	33
						73					32			29	28	27		25	24	23							19	18
SALEABLE	NOT APPLICABLE	34566-2533	0	B	ST GRN						67	66	65			63			59	58	57	56	55	54	53			
								50	49	48		46	45		43				39	38	37	36	35	34	33			
						73							29		27					23	22	21					18	
SALEABLE	NOT APPLICABLE	34566-2543	0	C	BLUE	72		70				66			63			59		57					53			
						52	51					46		44		42		40	39							34	33	
						73					32		30			27	26	25			22	21						
SALEABLE	NOT APPLICABLE	34566-2553	9	B	ST GRN	72	71	70		68	67	66				62	61	60	59	58	57	56	55	54	53			
						52	51	50		48	47	46				42	41	40	39	38	37	36	35	34	33			
						73					32	31	30	29	28	27	26	25	24	23								
SALEABLE	NOT APPLICABLE	34566-2563	9	A	BLACK				69						63	62	61			58	57	56	55	54	53			
						52	51	50	49					44	43	42	41					37	36	35	34	33		
						73					32			29	28	27	26									19	18	
SALEABLE	NOT APPLICABLE	34566-2573	9	C	BLUE	72		70			67	66			63	62			59		57				53			
						52	51					46		44		42		40	39							34	33	
						73							30			27	26	25			22	21	20					
SALEABLE	NOT APPLICABLE	34566-2583	0	A	BLACK				69						63				58	57	56	55	54	53				
						52	51	50	49					44	43	42	41								36	35	34	33
						73					32				28		26									19	18	
SALEABLE	NOT APPLICABLE	34566-2593	0	C	BLUE	72		70				66			63	62			59		57				53			
						52	51					46		44		42		40	39							34	33	
						73					32		30			27	26	25			22	21						
SALEABLE	NOT APPLICABLE	34566-2613	9	C	BLUE	72		70			67	66			63	62			59		57				53			
						52	51					46		44		42		40	39							34	33	
						73							30			27	26	25			22	21	20					
SALEABLE	NOT APPLICABLE	34566-2623	0	A	BLACK		71		69	68	67		65	64	63		61		59		57	56						
								50	49		47					41				38	37	36			34	33		
						73					32	31	30	29	28	27		24	23					20	19	18		
SALEABLE	NOT APPLICABLE	34566-2633	0	A	BLACK		71		69	68	67		65	64			61		59		57	56						
								50	49		47					41				38	37	36					33	
						73					32	31	30	29	28	27		24	23					20	19	18		

MX123 52/66/73/80-WAY RECEPTACLE ASSY SEALED PIN OUT SHEET

STATUS	GM PART #	HRNS CONN ASSY			TPA	GROMMET CAP																			
		MATERIAL/PART	WIRE DRESS OPTION	KEY OPTION Fp		COLOR OPTION Fp	NUMBERS INDICATE CAVITIES OPEN FOR CIRCUITS																		
		NUMBER					Fp																		
SALEABLE	NOT APPLICABLE	34566-2643	0	A	BLACK		71		69	68	67		65	64	63		61		59		57	56		34	33
								50	49		47						41		39	38	37	36			
		73								32	31	30	29	28	27		24	23	22		20	19	18		
										16			13	12	11	10	9		7			4			
SALEABLE	NOT APPLICABLE	34566-2653	0	A	BLACK		71		69	68	67		65	64			61		59		57	56			
								50	49		47						41		39	38	37	36			33
		73								32	31	30	29	28	27		24	23	22		20	19	18		
										16						11	10	9		7			4		
SALEABLE	NOT APPLICABLE	34566-2663	0	H	ST GRAY		79	78	77	76	75	74	73	72	71	70	69	68		66	65	64	63		61
						60	59	58	57	56			53			50						44	43		41
						40	39	38	37		35	34		32		30	29		27	26				22	21
						20	19	18	17				13	12				8		6	5		3	2	
SALEABLE	NOT APPLICABLE	34566-2673	0	H	ST GRAY		79	78	77	76	75	74	73	72	71	70	69	68		66	65	64	63		61
						60	59	58	57	56			53	52		50						44	43		41
						40	39	38	37		35	34		32		30	29		27	26				22	21
						20	19	18	17				13	12				8		6	5		3	2	
SALEABLE	NOT APPLICABLE	34566-2683	0	H	ST GRAY			78					72	71	70	69	68	67	66	65	64	63		61	
						60	59	58	57	56			53	52	51	50		48	47			44	43		41
						40			37		35	34		32		30	29		27	26				22	21
						20	19	18	17	16			13	12				8	7	6	5	4	3	2	1
SALEABLE	NOT APPLICABLE	34566-2693	0	B	ST GRAY		71	70		68		66	65				60	59	58	57			54	53	
							51	50	49	48		46	45		43	42	41	40	39	38	37	36	35	33	
		73								32	31	30					24	23	22		20				
										16	15		13	12	11	10	9	8	7	6	5	4			
SALEABLE	NOT APPLICABLE	34566-2713	0	A	BLACK				69	68			65	64	63		61	60	59	58		56		34	33
						52			50	49		47					41			38	37	36		34	33
		73								32	31	30	29	28	27		25	24	23		20	19	18	17	
										16			13	12	11	10	9							1	
SALEABLE	NOT APPLICABLE	34566-2723	0	B	ST GRAY		71	70		68		66	65	64	63		60	59	58	57	56	55	54	53	
							51	50	49	48		46	45		43	42	41	40	39	38	37	36	35	33	
		73								32	31	30					24	23	22		20	19			
										16	15		13	12	11	10	9	8	7	6	5	4	3	2	
SALEABLE	NOT APPLICABLE	34566-2733	0	A	BLACK			70		68	67	66	65			63	62		58	57		55			
									49		47			44	43	42	41		39		37				
		73								32		30			27		25	24	23		21	20	19	18	17
										16	15		13			10	9	8		6	5		3	2	1
SALEABLE	NOT APPLICABLE	34566-2743	0	C	BLUE		72		70			67	66			63	62		59		57			53	
						52	51					46		44		42		40	39					34	33
		73								32		30				26	25			22	21	20			
											15	14				10	9			6	5	4			
SALEABLE	NOT APPLICABLE	34566-2753	0	A	BLACK										63	62	61			58	57	56	55	54	53
						52	51		49					44	43	42	41				37	36	35	34	33
		73								32			29	28	27	26							19	18	
										16	15		13	12	11	10							3		
SALEABLE	NOT APPLICABLE	34566-2763	0	B	ST GRAY		72	71	70		68	67	66			62	61	60	59	58	57	56	55	54	53
						52	51	50		48	47	46				42	41	40	39	38	37	36	35	34	33
		73								32	31	30	29	28	27	26	25	24							
										16	15	14	13			10	9	8							
SALEABLE	NOT APPLICABLE	34566-2773	0	H	ST GRAY																				61
																	9					5			1
																									61
SALEABLE	NOT APPLICABLE	34566-2783	9	H	ST GRAY																				
SALEABLE	NOT APPLICABLE	34566-2793	9	A	BLACK						67	66													
											48	47					41								
		73								32	31	30	29		27		25			22	21		19	18	17
										16	15	14	13			11	10	9	8	7	6	5	4	3	1

MX123 52/66/73/80-WAY RECEPTACLE ASSY SEALED PIN OUT SHEET

STATUS	GM PART #	HRNS CONN ASSY			TPA	GROMMET CAP																					
		MATERIAL/PART	WIRE DRESS OPTION	KEY OPTION Fp	COLOR OPTION Fp	NUMBERS INDICATE CAVITIES OPEN FOR CIRCUITS																					
		NUMBER				Fp																					
SALEABLE	NOT APPLICABLE	34566-2813	9	B	ST GRAY	72	71	70	69	68	67	66	65	64		62	61	60	59	58	57	56	55	54			
						52	51	50	49	48		46		44				40				37	36				
						73				32	31	30	29	28	27		25	24				21	20			18	
SALEABLE	NOT APPLICABLE	34566-2823	0	A	BLACK						67	66															
											47					41											
						73				32	31	30	29		27		25			22	21			19	18	17	
SALEABLE	NOT APPLICABLE	34566-2833	0	B	ST GRAY	72	71	70	69	68	67	66	65			61	60				57	56	55	54			
						52	51	50	49	48		46		44				40				37	36				
						73				32	31	30	29	28	27			24			21	20	19	18	17		
SALEABLE	NOT APPLICABLE	34566-2843	0	A	BLACK						67	66															
											47					41											
						73				32	31	30	29		27		25			22	21			19	18	17	
SALEABLE	NOT APPLICABLE	34566-2853	0	B	ST GRAY	72	71	70	69	68	67	66	65	64	63		61	60				57	56	55	54		
						52	51	50	49	48		46		44				40				37	36				
						73				32	31	30	29	28	27			24			21	20	19	18	17		
SALEABLE	NOT APPLICABLE	34566-2863	0	A	BLACK						67	66															
											47					41											
						73				32	31	30	29		27		25			22	21			19	18	17	
SALEABLE	NOT APPLICABLE	34566-2873	0	B	ST GRAY	72	71	70	69	68	67	66							59	58	57	56	55	54			
						52	51	50	49	48	47							40			39	38	37	36	35	34	
						73					15					11	10		8		6	5	4	3			
SALEABLE	NOT APPLICABLE	34566-2883	0	A	BLACK			70	69						63	62	61			58	57	56	55	54	53		
						52	51		49				44	43	42	41					37	36			34		
						73				32			29	28	27	26								19	18		
SALEABLE	NOT APPLICABLE	34566-2893	0	A	BLACK				69		67	66	65		63			60			57	56		53			
									49		47	46		44	43		40			37	36	35			33		
						73					31	30	29	28				24			21	20					
SALEABLE	NOT APPLICABLE	34566-2913	0	B	ST GRAY					68	67			64					58								
												46	45														
						73				32		30	29	28	27											17	
SALEABLE	NOT APPLICABLE	34566-2923	0	B	ST GRAY						15																
												46	45														
						73				32		30	29	28	27											17	
SALEABLE	NOT APPLICABLE	34566-2933	0	A	BLACK	72			69		67	66	65		63			60			57	56		53			
									49		47			44	43		40			37	36	35			33		
						73					31	30	29	28				24			21	20				17	
SALEABLE	NOT APPLICABLE	34566-2943	0	B	ST GRAY					68	67			64	63			59		57							
												46	45			43			39		37						
						73				32		30	29	28	27						21						
SALEABLE	NOT APPLICABLE	34566-2953	0	B	ST GRAY						15																
												46	45			43			39						34		
						73				32		30	29	28	27												
SALEABLE	NOT APPLICABLE	34566-2963	0	H	ST GRAY		79						74	73	72	71		69	68	67			64		62	61	
							59						54	53	52			49	48	47						42	41
								38						33					29	28	27			25			

MX123 52/66/73/80-WAY RECEPTACLE ASSY SEALED PIN OUT SHEET

STATUS	GM PART #	HRNS CONN ASSY			TPA	GROMMET CAP																						
		MATERIAL/PART	WIRE DRESS OPTION	KEY OPTION Fp	COLOR OPTION Fp	NUMBERS INDICATE CAVITIES OPEN FOR CIRCUITS																						
		NUMBER				Fp																						
SALEABLE	NOT APPLICABLE	34566-2973	0	G	BLUE	80		78	77		75	74	73	72		70	69		67		65	64	63	62				
						60		58	57		55	54		52	51	50	49		47		45							
						40		38	37				33	32	31				27	26	25	24						
						20		18	17								10	9	8		6	5			3	2	1	
SALEABLE	NOT APPLICABLE	34566-9913	0	A	BLACK	72	71			68	67	66	65	64					59									
								50		48	47	46	45					40	39	38								
						73					31	30						25	24		22	21	20				17	
												14						9	7	6	5	4			2	1		
SALEABLE	NOT APPLICABLE	34566-9923	0	A	BLACK	72	71				67	66				62	61	60			57			55	54			
							51			48		46	45	44	43	42			39						35		33	
						73												26	25	24								
												15	14							8	7	6	5	4	3	2		
SALEABLE	NOT APPLICABLE	34566-9933	0	B	ST GRAY				69				65	64	63													
									49				45	44	43													
						73										12	11					22	21	20	19	18	17	
																						6	5	4	3	2	1	
SALEABLE	NOT APPLICABLE	34566-9943	0	C	BLUE		71		69				65	64			61	60			58		56	55	54			
								50	49			45		43		41					37	36	35					
						73					31		29	28				24	23					19	18	17		
												16		13	12	11				8	7				3	2	1	
SALEABLE	NOT APPLICABLE	34566-9953	0	A	BLACK					67						62		60			57			55				
							51			48		46	45	44	43				39						35			
						73													25									
												15	14							7	6	5	4	3	2			
SALEABLE	NOT APPLICABLE	34566-9963	0	B	ST GRAY					68	67			64	63					58			55					
												46	45		43						38			35				
						73					32		30	29	28	27				22				19		17		
												15		13				10									1	
SALEABLE	NOT APPLICABLE	34566-9973	0	B	ST GRAY					68	67			64	63					58								
												46	45		43						38							
						73					32		30	29	28	27				22							17	
												15		13				10										
SALEABLE	NOT APPLICABLE	34566-2983	9	A	BLACK				70	69					63	62	61			58	57	56	55	54	53			
						52	51		49					44	43	42	41					37	36			34		
						73					32		29	28	27	26									19	18	17	
											16	15		13	12	11	10								3	2	1	
SALEABLE	NOT APPLICABLE	34566-2993	9	B	ST GRAY	72	71	70		68	67	66				62	61	60	59	58	57	56	55	54	53			
						52	51	50		48	47	46				42	41	40	39	38	37	36	35	34	33			
						73					32	31	30	29	28	27	26	25	24									
											16	15	14	13			10	9	8									
SALEABLE	NOT APPLICABLE	34566-3013	9	C	BLUE	72	71	70	69	68	67	66			63	62			59		57	56	55		53			
						52	51					46		44		42		40	39	38						34	33	
						73					32		30				26	25			22	21			19	18		
												15	14				10	9			6	5	4	3				
SALEABLE	NOT APPLICABLE	34566-3023	0	G	BLUE		79			76					71			68		66				61				
							59			56				53					30	29	28			44	43	42	41	
							39			36	35	34													23	22	21	
							19			16	15	14	13	12	11						7				4			
SALEABLE	NOT APPLICABLE	34566-3033	0	H	ST GRAY	80		78	77	76	75					70				66	65		63					
						60		58	57	56	55					51	50				46	45	44	43				
						40	39		37	36	35	34			32	31	30			28		26		24	23	22		
						20	19	18	17	16					13	12						6	5	4	3	2	1	
SALEABLE	NOT APPLICABLE	34566-3043	0	C	BLUE	72	71	70		68		66			63	62			59		57				53			
						52	51			48	47	46		44		42		40	39							34	33	
						73					32		30				27	26	25			22	21	20				
												15	14	13				10	9			6	5	4				
SALEABLE	NOT APPLICABLE	34566-3053	0	C	BLUE	72		70		68		66			63	62			59		57				53			
						52	51			48	47	46		44		42		40	39	38						34	33	
						73					32		30				27	26	25			22	21	20				
												15	14	13				10	9			6	5	4				

MX123 52/66/73/80-WAY RECEPTACLE ASSY SEALED PIN OUT SHEET

STATUS	GM PART #	HRNS CONN ASSY			TPA	GROMMET CAP																				
		MATERIAL/PART	WIRE DRESS OPTION	KEY OPTION Fp	COLOR OPTION Fp	NUMBERS INDICATE CAVITIES OPEN FOR CIRCUITS																				
		NUMBER				Fp																				
SALEABLE	NOT APPLICABLE	34566-3063	0	A	BLACK	52	71		69				65	64	63		60		58	57	56	55	54	53		
							51		49				45	44	43	42	41					37	36	35	34	33
						73			32		30			28		26									19	18
SALEABLE	NOT APPLICABLE	34566-3073	0	A	BLACK	52	71		69				65	64	63		60		57	56	55	54	53			
							51		49				45	44	43	42	41					37	36	35	34	33
						73			32		30			28		26		23						19	18	
SALEABLE	NOT APPLICABLE	34566-3083	0	A	BLACK	52	71		69				65	64	63		60		58	57	56	55	54	53		
							51		49				45	44	43	42	41					37	36	35	34	33
						73			32		30			28		26								19	18	
SALEABLE	NOT APPLICABLE	34566-3093	0	A	BLACK	52	71		69				65	64	63		60		57	56	55	54	53			
							51		49				45	44	43	42	41					37	36	35	34	33
						73			32		30			28		26		23						19	18	
SALEABLE	NOT APPLICABLE	34566-3113	0	A	BLACK	52	71		69				65	64	63		60		57	56	55	54	53			
							51		49				45	44	43	42	41					37	36	35	34	33
						73			32		30			28		26		23		21				19	18	
SALEABLE	NOT APPLICABLE	34566-3123	0	B	ST GRY	72		70		68		66				60	59					55	54	53		
						52		50		48		46				40	39						35	34	33	
						73			32	31	30	29	28	27	26	25	24									
SALEABLE	NOT APPLICABLE	34566-3133	0	C	BLUE	72		70		68	67	66			63	62		59		57				53		
						52	51			48	47	46		44		42		40	39						34	33
						73			32		30			26	25	24		22	21	20						
SALEABLE	NOT APPLICABLE	34566-3143	0	C	BLUE	72		70				66			63	62		59		57				53		
						52	51					46		44		42		40	39						34	33
						73			32		30			26	25	24		22	21							
SALEABLE	NOT APPLICABLE	34566-3153	0	A	BLACK	52	71		69						63			58		56		54				
							51		49				47		44	43	42	41				36		34		
						73			32				28		26									19	18	
SALEABLE	NOT APPLICABLE	34566-3163	0	C	BLUE	72		70							63	62		59		57	56	55		53		
						52	51					46		44		42		40	39					34	33	
						73			32		30			26	25	24		22	21					19	18	
SALEABLE	NOT APPLICABLE	34566-3173	0	A	BLACK	52	71		69						63			58		56		54				
							51		49				47		44	43	42	41				36		34		
						73			32				28		26									19	18	17
SALEABLE	NOT APPLICABLE	34566-3183	0	C	BLUE	72		70				66			63	62		59		57	56	55		53		
						52	51					46		44		42		40	39					34	33	
						73			32		30			26	25	24		22	21							
SALEABLE	NOT APPLICABLE	34566-3193	0	A	BLACK	52	71		69						63			58		56	55	54	53			
							51		49				44	43	42	41						36	35	34	33	
						73			32				28		26									19	18	17
SALEABLE	NOT APPLICABLE	34566-3213	0	C	BLUE	72		70				67	66		63	62		59		56				53		
						52	51					46		44		42		40						34	33	
						73			32		30			26	25	24		22	21							
SALEABLE	NOT APPLICABLE	34566-3223	0	C	BLUE	72		70				67	66		63	62		59		57				53		
						52	51					46		44		42		40	39					34	33	
						73			32		30			27	26	25		22	21							

MX123 52/66/73/80-WAY RECEPTACLE ASSY SEALED PIN OUT SHEET

STATUS	GM PART #	HRNS CONN ASSY			TPA	GROMMET CAP																							
		MATERIAL/PART	WIRE DRESS OPTION	KEY OPTION Fp	COLOR OPTION Fp	NUMBERS INDICATE CAVITIES OPEN FOR CIRCUITS																							
		NUMBER				Fp																							
SALEABLE	NOT APPLICABLE	34566-3233	0	A	BLACK	70	69								63	62	61				58	57	56	55	54	53			
						52	51		49					44	43	42	41									36		19	18
						73			32				29	28	27	26													3
SALEABLE	NOT APPLICABLE	34566-3243	0	C	BLUE	72		70						66			63	62			59		57				53		
						52	51					46		44		42			40	39								34	33
						73			32		30					26	25			22	21								
SALEABLE	NOT APPLICABLE	34566-3253	0	A	BLACK	70	69								63						58		56	55	54	53			
						52	51		49					44	43	42	41									36		19	18
						73			32					12		10												3	
SALEABLE	NOT APPLICABLE	34566-3263	0	C	BLUE	72		70						66			63	62			59		57	56	55	54	53		
						52	51					46		44		42			40	39								34	33
						73			32		30					26	25			22	21							19	18
SALEABLE	NOT APPLICABLE	34566-3273	0	A	BLACK	70	69								63						58		56	55	54	53			
						52	51		49					44	43	42	41									36		19	18
						73			32					12		10												3	
SALEABLE	NOT APPLICABLE	34566-3283	0	C	BLUE	72		70						66			63	62			59		57	56	55	54	53		
						52	51					46		44		42			40	39								34	33
						73			32		30					26	25			22	21							19	18
SALEABLE	NOT APPLICABLE	34566-3293	0	B	ST GRAY	72	71	70		68	67	66				62	61	60	59	58	57	56	55	54	53				
						52	51	50		48	47				42	41	40	39	38	37	36	35	34	33					
						73			32	31	30	29	28	27	26	25	24	23											
SALEABLE	NOT APPLICABLE	34566-3313	0	C	BLUE	72		70							63	62				59		57				53			
						52	51					46		44		42			40	39							34	33	
						73			32		30					26	25			22	21								
SALEABLE	NOT APPLICABLE	34566-3323	0	B	ST GRAY				49	68	67	66	65	64	63					58				55					
										48	47	46	45	44	43					38									
						73			32		30	29	28	27					22										17
SALEABLE	NOT APPLICABLE	34566-3333	0	A	BLACK	72	71	70	69	68				65	64	63		61		59	58	57	56		54				
						52	51	50	49		47				42	41			38	37	36			34	33				
						73			32	31	30	29	28	27	26		24	23			20	19	18	17					
SALEABLE	NOT APPLICABLE	34566-3343	0	A	BLACK	72			69	68	67	66	65	64	63					59	58	57	56		54				
									49		47			44	43	42			40			37	36	35		34	33		
						73			32		30	29	28		26		24			21	20							17	
SALEABLE	NOT APPLICABLE	34566-3353	0	B	ST GRAY					68	67			64					59	58				54					
												46	45						39	38									
						73			32		30	29	28	27				8										17	
SALEABLE	NOT APPLICABLE	34566-3363	0	A	BLACK		71		69	68				65	64	63		61		59		57	56		54				
						52		50	49		47				42	41	40	39	38	37	36			34	33				
						73			32	31	30	29	28	27	26		24	23	22		20	19	18	17					
SALEABLE	NOT APPLICABLE	34566-3373	9	C	BLUE	72		70						66			63	62			59		57	56	55	54	53		
						52	51				48	47	46		44		42			40	39	38					34	33	
						73			32		30					26	25			22	21						19	18	
SALEABLE	NOT APPLICABLE	34566-3383	0	A	BLACK			70	69	68				65	64	63		61		59	58	57	56		54				
						52		50	49		48	47				42	41			38	37	36			34	33			
						73			32	31	30	29	28	27	26		24	23			20	19	18	17					

MX123 52/66/73/80-WAY RECEPTACLE ASSY SEALED PIN OUT SHEET

STATUS	GM PART #	HRNS CONN ASSY			TPA	GROMMET CAP																						
		MATERIAL/PART	WIRE DRESS OPTION	KEY OPTION Fp	COLOR OPTION Fp	NUMBERS INDICATE CAVITIES OPEN FOR CIRCUITS																						
		NUMBER				Fp																						
SALEABLE	NOT APPLICABLE	34566-3393	0	C	BLUE	72		70		68	67	66			63	62			59		57					53		
						52	51			48	47	46		44		42		40	39			22	21				34	33
						73						32		30			26	25			6	5	4					
SALEABLE	NOT APPLICABLE	34566-3413	0	A	BLACK	72		70			67	66	65			61			58	57			55	54				
								50	49		47		45	44	43	42	41		39		37		35					
						73						32		30			27	26	25	24			21	20	19	18	17	
SALEABLE	NOT APPLICABLE	34566-3423	9	C	BLUE				69						63				58		56	55	54	53				
						52	51		49				44	43	42	41							36	35	34	33		
						73						32				28		26						19	18	17		
SALEABLE	NOT APPLICABLE	34566-3433	9	C	BLUE										63	62			59		57	56	55	54	53			
						52	51						44	43	42	41										34	33	
						73								30				26	25			22	21					
SALEABLE	NOT APPLICABLE	34566-3443	0	A	BLACK		71		69				65	64	63			60			57	56	55	54	53			
						52	51		49				45	44	43	42	41					37	36	35	34	33		
						73						32		30		28		26			23				19	18		
SALEABLE	NOT APPLICABLE	34566-3453	0	A	BLACK																							
						73																		20				
																			9				5					1
SALEABLE	NOT APPLICABLE	34566-3463	9	H	ST GRAY																							
						73																						
																												61
SALEABLE	NOT APPLICABLE	34566-3473	9	B	ST GRAY																							
						73						32	31	30	29	28	27		25	24			21	20		18	17	
												16	15	14	13	12		10	9		7	6	5	4	3	2		
SALEABLE	NOT APPLICABLE	34566-3483	0	B	ST GRAY	72	71	70	69	68	67	66	65	64			62	61	60	59	58	57	56	55	54			
						52	51	50	49	48		46		44					40		38	37	36					
						73						32	31	30	29	28	27			24			21	20	19	18	17	
SALEABLE	NOT APPLICABLE	34566-3493	0	A	BLACK																							
						73						32		30			27	26	25	24			21	20	19	18	17	
									49		47		45	44	43	42	41		39		37		35					
SALEABLE	NOT APPLICABLE	34566-3513	0	A	BLACK			70	69						63	62	61	60			58	57	56	55	54	53		
						52	51		49				44	43	42	41							37	36			34	
						73						32		29	28	27	26									19	18	
SALEABLE	NOT APPLICABLE	34566-3523	0	A	BLACK	72		70							63	62						56	55	54				
						52			49					44	43	42								36	35	34		
						73							31		28			26					21	20	19	18		
SALEABLE	NOT APPLICABLE	34566-3533	9	A	BLACK				69						63				58		56	55	54	53				
						52	51		49				44	43	42	41								36	35	34	33	
						73						32				28		26							19	18	17	
SALEABLE	NOT APPLICABLE	34566-3543	9	A	BLACK										63	62			59		57	56	55	54	53			
						52	51						44	43	42		40	39								34	33	
						73							30				26	25			22	21						
SALEABLE	NOT APPLICABLE	34566-3553	9	C	BLUE				69						63	62	61		59	58	57	56	55	54	53			
							51	50	49	48		46	45	44	43	42	41	40	39	38			36	35	34	33		
						73							31	30	29	28	27	26	25			22		20	19	18	17	

MX123 52/66/73/80-WAY RECEPTACLE ASSY SEALED PIN OUT SHEET

STATUS	GM PART #	HRNS CONN ASSY			TPA	GROMMET CAP																								
		MATERIAL/PART	WIRE DRESS OPTION	KEY OPTION ▽ Fp	COLOR OPTION ▽ Fp	NUMBERS INDICATE CAVITIES OPEN FOR CIRCUITS ▽ Fp																								
		NUMBER																												
SALEABLE	NOT APPLICABLE	34566-3563	9	C	BLUE	72		70		68	67	66			63	62			59			57					53			
						52	51			48	47	46		44		42		40	39	38							34	33		
						73				32		30			27	26	25			22	21									
SALEABLE	NOT APPLICABLE	34566-3573	9	C	BLUE			70	69	68					63	62	61			58	57	56	55	54	53					
						52	51	50	49	48	47			44	43	42	41				37	36				34				
						73				32				29	28	27	26										19	18		
SALEABLE	NOT APPLICABLE	34566-3583	9	A	BLACK			70	69						63	62	61				58	57	56	55	54	53				
						52	51	50	49					44	43	42	41									37	36	34		
						73				32				29	28	27	26											19	18	
SALEABLE	NOT APPLICABLE	34566-3593	0	A	BLACK		71		69					64	63			60			58	57	56	55	54	53				
						52	51		49					45	44	43	42	41								37	36	35	34	33
						73				32		30			28		26												19	18
SALEABLE	NOT APPLICABLE	34566-3613	0	B	ST GRY					68	67			64	63						59									
												46	45		43															
						73				32		30	29	28	27															
SALEABLE	NOT APPLICABLE	34566-3623	0	A	BLACK	72		70	69						63	62	61	60	59	58	57	56	55	54	53					
						52	51		49					44	43	42	41									37	36		34	
						73				32				29	28	27	26											19	18	
SALEABLE	NOT APPLICABLE	34566-3633	0	C	BLUE	72		70		68	67	66			63	62			59			57				53				
						52	51			48	47	46		44				40	39	38	37	36					34	33		
						73				32		30				26	25	24	23	22	21									
SALEABLE	NOT APPLICABLE	34566-3643	0	B	ST GRY		71	70		68	67	66		64	63					59						53				
						52	51	50		48	47	46									39						34	33		
						73				32	31	30	29	28	27	26	25	24										17		
SALEABLE	NOT APPLICABLE	34566-3653	0	B	ST GRY		71	70	69	68		66	65	64	63				59							53				
						52	51	50	49	48	47	46	45	44	43				39								34	33		
						73				32		30	29	28	27	26	25	24										3	2	1
SALEABLE	NOT APPLICABLE	34566-3663	0	A	BLACK	72		70	69						63	62	61	60	59	58	57	56	55	54	53					
						52	51		49					44	43	42	41										37	36	34	
						73				32				29	28	27	26											19	18	
SALEABLE	NOT APPLICABLE	34566-3673	9	C	BLUE		71	70	69	68	67			65	63	62	61		59	58	57	56	55	54	53					
							51	50	49	48				45	44	43	42	41	40	39	38			36	35	34	33			
						73				31	30	29	28	27	26					22			20	19	18	17				
SALEABLE	NOT APPLICABLE	34566-3683	9	H	ST GRY																					61				
						20								32																
											15							9					5						1	
SALEABLE	NOT APPLICABLE	34566-3693	0	C	BLUE	72		70		68	67	66			63	62			59			57				53				
						52	51			48	47	46		44		42		40	39	38							34	33		
						73				32		30			27	26	25			22	21									
SALEABLE	NOT APPLICABLE	34566-3713	0	C	BLUE			70	69	68	67	66			63	62	61			59			57			53				
						52	51			48	47	46		44		42		40	39								34	33		
						73				32		30			27	26	25			22	21									
SALEABLE	NOT APPLICABLE	34566-3723	0	A	BLACK			70	69						63	62	61			58	57	56	55	54	53					
						52	51	50	49					44	43	42	41									37	36	34		
						73				32				29	28	27	26											19	18	

MX123 52/66/73/80-WAY RECEPTACLE ASSY SEALED PIN OUT SHEET

STATUS	GM PART #	HRNS CONN ASSY			TPA	GROMMET CAP																				
		MATERIAL/PART	WIRE DRESS OPTION	KEY OPTION Fp	COLOR OPTION Fp	NUMBERS INDICATE CAVITIES OPEN FOR CIRCUITS																				
		NUMBER				Fp																				
SALEABLE	NOT APPLICABLE	34566-3733	0	B	ST GRAY	72	71	70		68	67	66				62	61	60	59	58	57	56	55	54	53	
						52	51	50		48	47	46				42	41	40	39	38	37	36	35	34	33	
						73				32	31	30	29	28	27	26	25	24	23							
SALEABLE	NOT APPLICABLE	34566-3743	0	C	BLUE	72		70		68		66			63	62			59		57			53		
						52	51			48	47	46		44		42		40	39	38					34	33
						73				32		30			27	26	25			22	21					
SALEABLE	NOT APPLICABLE	34566-3753	0	C	BLUE	72		70		68		66			63	62			59		57			53		
						52	51			48	47	46		44		42		40	39						34	33
						73				32		30			27	26	25			22	21					
SALEABLE	NOT APPLICABLE	34566-3763	0	C	BLUE	72		70		68		66			63	62			59		57	56	55	54	53	
						52	51			48	47	46		44		42		40	39						34	33
						73				32		30			27	26	25			22	21					
SALEABLE	NOT APPLICABLE	34566-3773	0	A	BLACK			70	69						63				58		56	55	54	53		
						52	51	50	49					44	43	42	41		39					36		34
						73				32					28		26								19	18
SALEABLE	NOT APPLICABLE	34566-3783	0	A	BLACK			70	69						63				58		56	55	54	53		
						52	51	50	49					44	43	42	41		39					36		34
						73				32					28		26								19	18
SALEABLE	NOT APPLICABLE	34566-3793	0	A	BLACK		71	70						64	63			60		58	57	56	55	54	53	
						52	51		49				45	44	43	42	41				37	36			34	
						73				32		30			28		26		23		21				19	18
SALEABLE	NOT APPLICABLE	34566-3813	0	C	BLUE	72		70		68		66			63	62			59		57			53		
						52	51			48	47	46		44		42		40	39	38	37	36			34	33
						73				32		30			26	25	24			22	21	20				
SALEABLE	NOT APPLICABLE	34566-3823	0	A	BLACK			70	69						63		61			58	57	56	55	54	53	
						52	51		49					44	43	42	41				37	36			34	
						73				32					27	26									19	18
SALEABLE	NOT APPLICABLE	34566-3833	0	A	BLACK			70	69						63	62	61			57	56	55	54	53		
						52	51		49					44	43	42	41				37	36			34	
						73				32			29	28	27	26			23						19	18
SALEABLE	NOT APPLICABLE	34566-3843	0	A	BLACK	72	71	70	69	68	67	66			64	63	62		60	59			55	54	53	
						52			49	48				44	43	42	41	40	39					35	34	33
						73				32			29	28	27		25	24	23						19	18
SALEABLE	NOT APPLICABLE	34566-3853	0	A	BLACK	72	71	70	69	68	67	66	65	64	63	62		60	59				55	54	53	
						52			49	48			45	44	43	42	41	40	39					35	34	33
						73				32			29	28	27		25	24	23						19	18
SALEABLE	NOT APPLICABLE	34566-3863	0	B	ST GRAY	72	71	70		68	67	66				62	61	60	59	58	57	56	55	54	53	
						52	51	50		48	47	46				42	41	40	39	38	37	36	35	34	33	
						73				32	31	30	29	28	27	26	25	24								
SALEABLE	NOT APPLICABLE	34566-3873	0	B	ST GRAY										63				59	58	57	56	55			
								50	49	48		46	45		43					39	38	37	36	35	34	
						73							29	27					23	22	21					18
SALEABLE	NOT APPLICABLE	34566-3883	0	B	ST GRAY						67	66						59	58	57	56	55		53		
								50	49	48			45						39	38	37	36	35	34	33	
						73							29						23	22	21					18

MX123 52/66/73/80-WAY RECEPTACLE ASSY SEALED PIN OUT SHEET

STATUS	GM PART #	HRNS CONN ASSY			TPA	GROMMET CAP																									
		MATERIAL/PART	WIRE DRESS OPTION	KEY OPTION Fp	COLOR OPTION Fp	NUMBERS INDICATE CAVITIES OPEN FOR CIRCUITS																									
		NUMBER				Fp																									
SALEABLE	NOT APPLICABLE	34566-4063	0	B	ST GRY					68	67			64					59	58					54						
SALEABLE	NOT APPLICABLE	34566-4073	0	A	BLACK	72			70					66			63	62			59		57	56	55		53				
						52	51					46		44		42		40	39		37	36					34	33			
SALEABLE	NOT APPLICABLE	34566-4083	0	C	BLUE	72			70					68			63	62			59	58	57				53				
						52	51					48	47			44		42		40	39	38	37	36			34	33			
SALEABLE	NOT APPLICABLE	34566-4093	0	A	BLACK		71	70	69					67			64	63			60			57	56	55	54	53			
						52	51		49				47		45	44	43	42	41												
SALEABLE	NOT APPLICABLE	34566-4113	0	B	ST GRY					68	67																				
SALEABLE	NOT APPLICABLE	34566-4123	9	A	BLACK	72				69				67			66	65			63			57	56			53			
									49				47	46		44	43	42		40											
SALEABLE	NOT APPLICABLE	34566-4133	9	B	ST GRY					68	67																				
SALEABLE	NOT APPLICABLE	34566-4143	0	B	ST GRY					68	67																				
SALEABLE	NOT APPLICABLE	34566-4153	0	B	ST GRY	72			70					68			66					60	59				55	54	53		
						52		50				48		46		44				40	39										
SALEABLE	NOT APPLICABLE	34566-4163	0	B	ST GRY	72			70					68			66					60	59				55	54	53		
						52		50				48		46					40	39											
SALEABLE	NOT APPLICABLE	34566-4173	0	A	BLACK	72	71	70	69							64	63					60	59	58		56	55	54	53		
						52	51		49				47		45	44	43	42	41												
SALEABLE	NOT APPLICABLE	34566-4183	0	C	BLUE	72			70					68			66			63	62			59	58	57			53		
						52	51					48	47	46		44		42		40	39										
SALEABLE	NOT APPLICABLE	34566-4193	0	C	BLUE		71		69							65	64				61	60			58		56	55	54		
								50	49						45		43		41												
SALEABLE	NOT APPLICABLE	34566-4213	0	A	BLACK	72	71							68	67	66	65	64				60	59	58							
								50				48	47	46	45																
SALEABLE	NOT APPLICABLE	34566-4223	0	A	BLACK	72	71							68	67	66	65	64				60	59								
								50				48	47	46	45																

MX123 52/66/73/80-WAY RECEPTACLE ASSY SEALED PIN OUT SHEET

STATUS	GM PART #	HRNS CONN ASSY			TPA	GROMMET CAP																							
		MATERIAL/PART	WIRE DRESS OPTION	KEY OPTION Fp	COLOR OPTION Fp	NUMBERS INDICATE CAVITIES OPEN FOR CIRCUITS																							
		NUMBER				Fp																							
SALEABLE	NOT APPLICABLE	34566-4393	0	G	BLUE			78	77		75	74		72		70	69		67		65	64	63	62					
						60		58	57		55	54		52	51	50	49		47		45								
						40		38	37					33	32	31				27	26	25	24						
						20		18	17									10	9	8		6	5			3	2	1	
SALEABLE	NOT APPLICABLE	34566-4413	0	B	ST GRAY									63			59	58	57	56	55		53						
								50	49	48		46		43			39	38	37	36	35	34	33						
						73							29		27				23	22	21				18				
										16	15	14								7	6	5	4	3					
SALEABLE	NOT APPLICABLE	34566-4423	9	C	BLUE	72		70		68	67	66		63	62		59		57					53					
						52	51			48	47	46		44		42		40	39	38	37	36			34	33			
						73								32		30			27	26	25	24		22	21				
												15	14					10	9	8		6	5	4			2		
SALEABLE	NOT APPLICABLE	34566-4433	9	A	BLACK			70	69					63	62	61	60		58	57	56	55	54	53					
						52	51	50	49				44	43	42	41	40			37	36				34	33			
						73								32			29	28	27	26						19	18		
										16	15	14	13	12	11	10											3		
SALEABLE	NOT APPLICABLE	34566-4443	9	A	BLACK						67	66																	
										48	47						41												
						73								32	31	30	29		27	26	25			22	21		19	18	17
										16	15	14	13																1
SALEABLE	NOT APPLICABLE	34566-4453	0	A	BLACK	72	71	70	69					63	62	61	60	59	58	57	56	55	54	53					
						52	51	50	49	48		46	45	44	43	42		40	39	38	37	36	35	34	33				
						73										28				24	23					20			
															12	11											2	1	
SALEABLE	NOT APPLICABLE	34566-4463	9	B	ST GRAY									63										53					
										48	47		45		43	42		39							35	34	33		
						73												11								19		1	
SALEABLE	NOT APPLICABLE	34566-4473	0	B	ST GRAY								64	63	62		59	58						53					
												47		45		43	42		39						35	34	33		
						73													26	25		23	22						
																											3	1	
SALEABLE	NOT APPLICABLE	34566-4483	9	C	BLUE	72		70		68	67	66		63	62		59	58	57	56	55			53					
						52	51		49	48	47	46		44			40	39	38	37	36				34	33			
						73								32		30			27	26	25	24	23	22	21	20	19	18	17
												15	14	13				10	9	8	7	6	5	4	3	2	1		
SALEABLE	NOT APPLICABLE	34566-4493	9	A	BLACK	72	71	70	69				64	63	62	61	60	59	58	57	56	55	54	53					
						52	51	50	49	48	47		45	44	43	42	41	40	39		37	36			34				
						73								32		30	29	28	27	26		24	23		21		19	18	17
										16	15	14	13	12	11	10				8			5			3	2	1	
SALEABLE	NOT APPLICABLE	34566-4513	9	B	ST GRAY	72	71	70		68	67	66				62	61	60	59	58	57	56	55	54	53				
						52	51	50		48	47	46				42	41	40	39	38	37	36	35	34	33				
						73								32	31	30	29	28	27	26	25	24	23				19	18	17
										16	15	14	13					10		8	7					3	2	1	
SALEABLE	NOT APPLICABLE	34566-4523	0	G	BLUE			78	77		75	74		72		70	69		67		65	64	63	62					
						60		58	57		55	54		52	51	50	49		47		45								
						40		38	37							31				27	26	25	24						
						20		18	17									10	9	8		6	5			3	2	1	
SALEABLE	NOT APPLICABLE	34566-4533	0	A	BLACK	72			69		67		65		63		60			57	56				53				
									49		47			44	43			40			37	36	35				33		
						73										31	30	29	28			24			21	20		17	
										16	15	14	13				11	10					5	4	3	2	1		
SALEABLE	NOT APPLICABLE	34566-4543	0	B	ST GRAY					68	67			64	63			58	57		55			53					
												46	45		43					38	37				35				
						73								32		30	29	28	27							19		17	
																	12		10									1	
SALEABLE	NOT APPLICABLE	34566-4553	0	B	ST GRAY					68	67			64	63			58	57					53					
												46	45		43					38	37								
						73								32		30	29	28	27							22	21		17
																			12		10								

MX123 52/66/73/80-WAY RECEPTACLE ASSY SEALED PIN OUT SHEET

STATUS	GM PART #	HRNS CONN ASSY			TPA	GROMMET CAP																													
		MATERIAL/PART	WIRE DRESS OPTION	KEY OPTION △ Fp		COLOR OPTION △ Fp	NUMBERS INDICATE CAVITIES OPEN FOR CIRCUITS																												
		NUMBER					△ Fp																												
SALEABLE	NOT APPLICABLE	34566-4563	0	B	ST GRY						68	67				64	63					58					55				53				
SALEABLE	NOT APPLICABLE	34566-4573	0	B	ST GRY						68	67				64	63					58					55				53				
SALEABLE	NOT APPLICABLE	34566-4583	0	B	ST GRY						68	67				64	63					58					55				53				
SALEABLE	NOT APPLICABLE	34566-4593	0	B	ST GRY						68	67				64	63					58					55				53				
SALEABLE	NOT APPLICABLE	34566-4613	0	A	BLACK		72				69		67	66	65		63				60				57	56					53				
SALEABLE	NOT APPLICABLE	34566-4623	0	B	ST GRY		72		70				68		66					60	59										55	54	53		
SALEABLE	NOT APPLICABLE	34566-4633	0	A	BLACK			71	70	69			67				64	63				60	59	58			56	55	54	53					
SALEABLE	NOT APPLICABLE	34566-4643	0	B	ST GRY		72		70				68		66					60	59										55	54	53		
SALEABLE	NOT APPLICABLE	34566-4653	0	A	BLACK			71	70	69			67				64	63				60	59	58			56	55	54	53					
SALEABLE	NOT APPLICABLE	34566-4663	0	A	BLACK			71	70	69			67				64	63				60	59	58			56	55	54	53					
SALEABLE	NOT APPLICABLE	34566-4673	0	A	BLACK								67	66																					
SALEABLE	NOT APPLICABLE	34566-4683	9	B	ST GRY		72	71	70	69		68	67	66	65	64			62	61	60	59	58	57	56	55	54								
SALEABLE	NOT APPLICABLE	34566-4693	0	B	ST GRY		72	71	70	69		68	67	66	65	64			61	60				57	56	55	54								
SALEABLE	NOT APPLICABLE	34566-4713	0	A	BLACK			71	70	69			67				64	63				60	59				56	55	54	53					
SALEABLE	NOT APPLICABLE	34566-4723	0	A	BLACK		72	71	70	69			67				64	63				60	59	58			56	55	54	53					

MX123 52/66/73/80-WAY RECEPTACLE ASSY SEALED PIN OUT SHEET

STATUS	GM PART #	HRNS CONN ASSY			TPA	GROMMET CAP																						
		MATERIAL/PART	WIRE DRESS OPTION	KEY OPTION Fp	COLOR OPTION Fp	NUMBERS INDICATE CAVITIES OPEN FOR CIRCUITS																						
		NUMBER				Fp																						
SALEABLE	NOT APPLICABLE	34566-4733	0	A	BLACK	72	71	70	69					64	63			60	59	58		56	55	54	53			
						52	51		49		47		45	44	43	42	41						21		36		19	18
						73				32		30		28		26							8		5		3	
SALEABLE	NOT APPLICABLE	34566-4743	9	A	BLACK	72	71	70	69		67		65	64	63	62	61	60	59	58	57	56	55	54	53			
						52	51	50	49	48	47		45	44	43	42	41	40	39		37	36				34		
						73				32		30	29	28	27	26		24	23		21				19	18	17	
SALEABLE	NOT APPLICABLE	34566-4753	0	B	ST GRAY					68	67			64						58								
											46	45										38						
						73				32		30	29	28	27						22							17
SALEABLE	NOT APPLICABLE	34566-4763	0	B	ST GRAY					68	67			64														
											46	45																
						73				32		30	29	28	27													17
SALEABLE	NOT APPLICABLE	34566-4773	0	B	ST GRAY					68	67			64				59	58					54				
											46	45							39	38								
						73				32		30	29	28	27				23	22								17
SALEABLE	NOT APPLICABLE	34566-4783	0	B	ST GRAY					68	67			64	63					58				55				
											46	45		43							38					35		
						73				32		30	29	28	27						22						19	17
SALEABLE	NOT APPLICABLE	34566-4793	0	B	ST GRAY					68	67			64	63					58								
											46	45		43							38							
						73				32		30	29	28	27						22							17
SALEABLE	NOT APPLICABLE	34566-4813	9	B	ST GRAY					68	67			64				59	58						54			
											46	45							39	38								
						73				32		30	29	28	27				23	22								17
SALEABLE	NOT APPLICABLE	34566-4823	0	C	BLUE					68	67	66	65	64					59	58	57		55	54	53			
							51	50	49	48		46	45		43	42	41	40	39	38	37			35			33	
						73				32	31	30				26		24	23	22				20				
SALEABLE	NOT APPLICABLE	34566-4833	0	C	BLUE	72			70		68	67	66			63	62			59		57			53			
						52	51			48	47	46		44		42		40	39			37	36				34	33
						73				32		30			27	26	25	24		22	21							
SALEABLE	NOT APPLICABLE	34566-4843	0	C	BLUE	72			70		68	67	66			63	62			59		57			53			
						52	51			48	47	46		44		42		40	39	38	37	36					34	33
						73				32		30			27	26	25	24		22	21							
SALEABLE	NOT APPLICABLE	34566-4853	0	C	BLUE	72			70		68		66			63	62			59		57	56	55		53		
						52	51			48	47	46		44		42		40	39			37	36				34	33
						73				32		30			27	26	25	24		22	21					19	18	
SALEABLE	NOT APPLICABLE	34566-4863	0	C	BLUE	72			70		68		66			63	62			59		57			53			
						52	51			48	47	46		44		42		40	39	38	37	36					34	33
						73				32		30			27	26	25	24		22	21							
SALEABLE	NOT APPLICABLE	34566-4873	0	C	BLUE	72			70		68		66			63	62			59		57			53			
						52	51			48	47	46		44		42		40	39			37	36				34	33
						73				32		30			27	26	25	24		22	21							
SALEABLE	NOT APPLICABLE	34566-4883	9	A	BLACK	72			69		67		65		63			60			57	56			53			
									49		47	46		44	43			40				37	36	35			33	
						73				32		30	29	28				24				21	20					17

MX123 52/66/73/80-WAY RECEPTACLE ASSY SEALED PIN OUT SHEET

STATUS	GM PART #	HRNS CONN ASSY			TPA	GROMMET CAP																						
		MATERIAL/PART	WIRE DRESS OPTION	KEY OPTION Fp	COLOR OPTION Fp	NUMBERS INDICATE CAVITIES OPEN FOR CIRCUITS																						
		NUMBER				Fp																						
SALEABLE	NOT APPLICABLE	34566-5063	9	H	ST GRAY	80	79	78	77	76	75	74	73	72	71	70	69	68	67	66	65	64	63	62	61			
						60	59	58	57	56	55	54	53	52	51	50	49	48	47	46	45	44	43	42	41	40		
						40	39	38	37		35	34	33	32		30	29		27	26		24	23	22	21	20	19	
						20	19	18	17			14	13	12	11	10	9	8		6	5		3	2				
SALEABLE	NOT APPLICABLE	34566-5073	9	A	BLACK	72	71	70	69	68	67	66	65	64	63	62	61	60	59	58	57	56	55	54	53			
						52	51	50	49	48	47	46	45	44	43	42	41	40	39	38	37	36		34	33			
						73				32	31	30	29	28	27	26		24	23	22	21	20	19	18				
										16			13	12	11	10	9	8									1	
SALEABLE	NOT APPLICABLE	34566-5083	9	A	BLACK			70	69						63	62	61	60		58	57	56	55	54	53			
						52	51		49				44	43	42	41			38	37					34			
						73				32			29	28	27	26			23						19	18		
										16	15		13	12	11	10		8								3		
SALEABLE	NOT APPLICABLE	34566-5093	0	B	ST GRAY	72	71	70	69	68	67	66	65	64	63	62	61	60	59	58	57	56	55	54	53			
						52	51	50	49	48	47	46	45	44	43	42	41	40	39	38	37	36	35	34	33			
						73							29		27				23	22	21						18	
										16	15	14	13						8	7	6	5	4	3				
SALEABLE	NOT APPLICABLE	34566-5113	0	A	BLACK	72	71	70	69	68	67	66		64	63	62		60	59				55	54	53			
						52			49	48				44	43	42	41	40	39					35	34	33		
						73				32			29		27		25	24	23					19	18	17		
										16			13	12	11	10		9	8	7	6	5	4	3	2	1		
SALEABLE	NOT APPLICABLE	34566-5123	9	C	BLUE	72		70		68	67	66			63	62		59		57				53				
						52	51			48	47	46	45	44				40	39	38	37	36			34	33		
						73				32		30			27	26	25	24		22	21	20						
											15	14				10	9	8		6	5	4			2			
SALEABLE	NOT APPLICABLE	34566-5133	9	B	ST GRAY	72	71	70		68	67	66			62	61	60	59	58	57	56	55	54	53				
						52	51	50		48	47	46			42	41	40	39	38	37	36	35	34	33				
						73				32	31	30	29	28	27	26	25	24	23									
										16	15	14	13			10	9	8										
SALEABLE	NOT APPLICABLE	34566-5143	0	C	BLUE	72		70		68	67	66			63	62		59		57				53				
						52	51			48	47	46		44		42		40	39		37	36			34	33		
						73				32		30				26	25	24		22	21	20						
											15	14				10	9	8		6	5	4			2			
SALEABLE	NOT APPLICABLE	34566-5153	0	A	BLACK			70	69						63	62	61	60		58	57	56	55	54	53			
						52	51		49		47			44	43	42	41			37	36	35	34	33				
						73				32			29	28	27	26	25							19	18			
										16	15		13	12	11	10									3			
SALEABLE	NOT APPLICABLE	34566-5163	9	A	BLACK	72			69		67		65		63			60			57	56			53			
									49		47			44	43			40			37	36	35			33		
						73					31	30	29	28				24			21	20					17	
										16	15	14			11	10					5	4	3	2	1			
SALEABLE	NOT APPLICABLE	34566-5173	9	B	ST GRAY					68	67			64	63			59		57								
												46	45		43			39		37								
						73				32		30	29	28	27					21								
																10				6	5	4	3					
SALEABLE	NOT APPLICABLE	34566-5183	0	B	ST GRAY					68	67			64				59	58					54				
												46	45	44				39	38									
						73				32		30	29	28	27				23	22							17	
														12		10		8										1
SALEABLE	NOT APPLICABLE	34566-5193	0	A	BLACK			70	69						63	62	61	60		58	57	56	55	54	53			
						52	51		49				44	43	42	41				37	36				34			
						73				32			29	28	27	26								19	18	17		
										16	15		13	12	11	10								3	2	1		
SALEABLE	NOT APPLICABLE	34566-5213	0	A	BLACK	72	71	70	69	68	67	66	65	64	63	62	61	60	59				55	54	53			
						52			49	48				44	43	42	41	40	39					35	34	33		
						73				32			29		27		25	24	23					19	18	17		
										16			13	12	11		9	8	7	6	5	4	3	2	1			
SALEABLE	NOT APPLICABLE	34566-5223	0	C	BLUE	72		70			67	66			63	62			59		57				53			
						52	51			48		46		44		42		40	39						34	33		
						73				32		30			27	26	25		22	21								
											15	14				10	9			6	5	4						

MX123 52/66/73/80-WAY RECEPTACLE ASSY SEALED PIN OUT SHEET

STATUS	GM PART #	HRNS CONN ASSY			TPA	GROMMET CAP																						
		MATERIAL/PART	WIRE DRESS OPTION	KEY OPTION Fp	COLOR OPTION Fp	NUMBERS INDICATE CAVITIES OPEN FOR CIRCUITS																						
		NUMBER				Fp																						
SALEABLE	NOT APPLICABLE	34566-5233	0	C	BLUE	72		70		68	67	66			63	62			59		57	56	55		53			
						52	51			48	47	46		44		42		40	39	38		22	21		19	18	34	33
						73				32		30				26	25			22	21			19	18			
SALEABLE	NOT APPLICABLE	34566-5243	0	C	BLUE	72	71	70	69	68	67	66	65		63	62	61		59	58	57	56	55	54	53			
							51	50	49	48		46	45	44	43	42	41	40	39	38		36	35	34	33			
						73				31	30	29	28	27	26	25			22	21	20	19	18	17				
SALEABLE	NOT APPLICABLE	34566-5253	0	B	ST GRAY						67	66			63			59	58	57	56	55		53				
								50	49	48		46	45		43			39	38	37	36	35	34	33				
						73							29	27				23	22	21			18					
SALEABLE	NOT APPLICABLE	34566-5263	0	B	ST GRAY										63	62	61	60		58	57	56	55	54	53			
								50	49	48		46	45		43			39	38	37	36	35	34	33				
						73				32	31	30	29	28	27			25	24								2	1
SALEABLE	NOT APPLICABLE	34566-5273	0	A	BLACK			70	69						63	62	61	60		58	57	56	55	54	53			
						52	51		49					44	43	42	41				37	36		34				
						73				32			29	28	27	26			23					19	18			
SALEABLE	NOT APPLICABLE	34566-5283	0	C	BLUE			70		68	67	66			63	62			59		57	56	55	54	53			
						52	51			48	47	46		44		42		40	39						34	33		
						73				32		30				26	25			22	21			19	18			
SALEABLE	NOT APPLICABLE	34566-5293	0	A	BLACK			70	69						63	62	61	60		58	57	56	55	54	53			
						52	51		49					44	43	42	41	40			37	36		34				
						73				32			29	28	27	26					19	18	17					
SALEABLE	NOT APPLICABLE	34566-5313	0	C	BLUE			70		68	67	66			63	62			59		57	56	55		53			
						52	51			48	47	46		44		42		40	39	38	37	36		34	33			
						73				32		30			27	26	25	24		22	21			19	18			
SALEABLE	NOT APPLICABLE	34566-5323	0	G	BLUE	80		78	77		75	74	73	72		70	69		67		65	64	63	62				
						60		58	57		55	54		52	51	50	49		47		45							
						40		38	37				33	32	31				27	26	25	24						
SALEABLE	NOT APPLICABLE	34566-5333	0	A	BLACK			70	69						63	62	61	60		58	57	56	55	54	53			
						52	51		49					44	43	42	41	40			37	36		34				
						73				32			29	28	27	26					19	18	17					
SALEABLE	NOT APPLICABLE	34566-5343	0	B	ST GRAY					68	67			64				59	58					54				
											46	45					39	38										
						73				32		30	29	28	27			23	22								17	
SALEABLE	NOT APPLICABLE	34566-5353	9	B	ST GRAY					68	67			64	63			59	58			55	54					
											46	45	44	43			39	38			35	34						
						73				32		30	29	28	27			23	22			19	18	17				
SALEABLE	NOT APPLICABLE	34566-5363	0	C	BLUE			70		68		66			63	62			59		57			53				
						52	51			48	47	46		44		42		40	39	38					34	33		
						73				32		30				26	25			22	21							
SALEABLE	NOT APPLICABLE	34566-5373	0	C	BLUE			70		68		66			63	62			59		57			53				
						52	51			48	47	46		44		42		40	39						34	33		
						73				32		30				26	25			22	21							
SALEABLE	NOT APPLICABLE	34566-5383	0	C	BLUE			70		68		66			63	62			59		57			53				
						52	51			48	47	46		44		42		40	39			37	36		34	33		
						73				32		30				26	25	24		22	21					2		

MX123 52/66/73/80-WAY RECEPTACLE ASSY SEALED PIN OUT SHEET

STATUS	GM PART #	HRNS CONN ASSY			TPA	GROMMET CAP																							
		MATERIAL/PART	WIRE DRESS OPTION	KEY OPTION Fp		COLOR OPTION Fp	NUMBERS INDICATE CAVITIES OPEN FOR CIRCUITS																						
		NUMBER																											
SALEABLE	NOT APPLICABLE	34566-5393	0	A	BLACK	70	69									63							56	55	54	53			
						52	51		49						44	43	42	41								36		34	
						73				32					28		26					23				21		19	18
SALEABLE	NOT APPLICABLE	34566-5413	0	A	BLACK	70	69								63								56	55	54	53			
						52	51		49						44	43	42	41								36		34	
						73				32					28		26				23				21		19	18	
SALEABLE	NOT APPLICABLE	34566-5423	0	A	BLACK	70	69								63							56	55	54	53				
						52	51		49						44	43	42	41								36		34	
						73				32					28		26			23				21		19	18		
SALEABLE	NOT APPLICABLE	34566-5433	9	B	ST GRY	70	69								63							56	55	54	53				
						52	51		49						44	43	42	41								36		34	
						73				32					28		26			23				21		19	18		
SALEABLE	NOT APPLICABLE	34566-5443	9	B	ST GRY					68	67				64					59	58				54				
														46	45							39	38						
						73				32					30	29	28	27				23	22						17
SALEABLE	NOT APPLICABLE	34566-5443	9	B	ST GRY					68	67				64					59	58				54				
														46	45							39	38						
						73				32					30	29	28	27				23	22						17
SALEABLE	NOT APPLICABLE	34566-5453	0	B	ST GRY					68	67				64					59	58				54				
														46	45							39	38						
						73				32					30	29	28	27				23	22						17
SALEABLE	NOT APPLICABLE	34566-5463	0	A	BLACK	72		70								63													
						52			49									41											
						73				16	15	14			12		10					6							
SALEABLE	NOT APPLICABLE	34566-5473	0	A	BLACK	72	71	70		68	67	66	65	64	63	62		60	59				56			53			
						52	51			48	47	46	45	44	43	42	41	40											
						73				16	15	14			12	11	10				6								17
SALEABLE	NOT APPLICABLE	34566-5483	0	B	ST GRY	72		70		68		66		64	63			60	59						55	54	53		
						52		50		48		46						40	39								35	34	33
						73				32	31	30	29	28	27	26	25	24				20							
SALEABLE	NOT APPLICABLE	34566-5493	0	A	BLACK	72		70	69							63													
						52	51		49																				
						73				32					28		26											19	18
SALEABLE	NOT APPLICABLE	34566-5513	9	B	ST GRY					68	67				63						58				55				
														46	45								38				35		
						73				32					30	29	28	27				22							17
SALEABLE	NOT APPLICABLE	34566-5523	9	A	BLACK	72			69							63						57	56			53			
									49						44	43	42	41						37	36	35		33	
						73				16	15	14	13			11	10							5	4	3	2	1	
SALEABLE	NOT APPLICABLE	34566-5533	9	B	ST GRY					68	67				64						59	58			54				
														46	45								39	38					
						73				32					30	29	28	27				23	22						17
SALEABLE	NOT APPLICABLE	34566-5543	9	A	BLACK					68	67				64						59	58			54				
														46	45								39	38					
						73				32					30	29	28	27				23	22						17
SALEABLE	NOT APPLICABLE	34566-5553	9	B	ST GRY					68	67				64							59	58			54			
														46	45								39	38					
						73				32					30	29	28	27				23	22						17

MX123 52/66/73/80-WAY RECEPTACLE ASSY SEALED PIN OUT SHEET

STATUS	GM PART #	HRNS CONN ASSY			TPA	GROMMET CAP																						
		MATERIAL/PART	WIRE DRESS OPTION	KEY OPTION Fp	COLOR OPTION Fp	NUMBERS INDICATE CAVITIES OPEN FOR CIRCUITS																						
		NUMBER				Fp																						
SALEABLE	NOT APPLICABLE	34566-5563	0	A	BLACK	72	71	70	69					64	63			60	59	58	57	56	55	54	53			
						52	51		49	48	47		45	44	43	42	41							37	36		34	33
						73				32		30		28		26										19	18	17
SALEABLE	NOT APPLICABLE	34566-5573	0	C	BLUE	72		70		68		66			63	62			59	58	57	56	55		53			
						52	51		49	48	47	46		44		42		40	39	38	37	36			34	33		
						73				32		30				26	25	24	23	22	21	20	19	18	17			
SALEABLE	NOT APPLICABLE	34566-5583	0	B	ST GRAY	72		70		68		66		64	63			60	59					55	54	53		
						52		50		48		46				40	39								35	34	33	
						73				32	31	30	29	28	27	26	25	24	23			20						2
SALEABLE	NOT APPLICABLE	34566-5593	0	C	BLUE	72		70		68		66			63	62			59	58	57			55	54	53		
						52	51			48	47	46		44		42		40	39							34	33	
						73				32		30				26	25		23	22	21							
SALEABLE	NOT APPLICABLE	34566-5613	0	C	BLUE	72		70		68		66			63	62			59	58	57			55	54	53		
						52	51			48	47			44		42		40	39							34	33	
						73				32		30				27	26	25	24	23	22	21	20					2
SALEABLE	NOT APPLICABLE	34566-5623	0	C	BLUE	72		70		68		66			63	62			59	58	57			55	54	53		
						52	51			48	47			44		42		40	39							34	33	
						73				32		30				27	26	25	24	23	22	21	20					2
SALEABLE	NOT APPLICABLE	34566-5633	0	B	ST GRAY	72										62	61											
						52				48		46		44	43		41	40								20	19	18
						73				16	15	14														4		
SALEABLE	NOT APPLICABLE	34566-5643	0	B	ST GRAY	72										62	61											
						52				48		46			43		41	40								20	19	18
						73				16	15	14														4		
SALEABLE	NOT APPLICABLE	34566-5653	0	A	BLACK	72	71	70	69	68		66	65	64	63		61	60			57	56			54	53		
						52	51	50	49	48		46	45	44	43		41	40	39	38	37	36				34	33	
						73				32	31	30	29	28		26	25		23	22	21							2
SALEABLE	NOT APPLICABLE	34566-5663	0	C	BLUE				69		67	66	64		62		60			57			55	54				
						52	51	50		48		46	45	44		42									37	35	34	33
						73				32	31			28	27	26											19	18
SALEABLE	NOT APPLICABLE	34566-5673	0	C	BLUE				69		67	66	64		62		60			57			55	54				
						52	51	50	49	48		46	45	44		42		41							37	35	34	33
						73				32	31			28	27	25												18
SALEABLE	NOT APPLICABLE	34566-5683	0	B	ST GRAY	72										62	61											
						52				48		46		44	43		41	40								20	19	18
						73				16		14														4		
SALEABLE	NOT APPLICABLE	34566-5693	0	A	BLACK	72	71	70	69	68		66	65	64	63		61	60			57	56			54	53		
						52	51	50	49	48		46	45	44	43		41	40	39	38	37	36				34	33	
						73				32	31	30	29	28		26	25		23	22	21	20						2
SALEABLE	NOT APPLICABLE	34566-5713	0	C	BLUE				69		67	66	64		62		60			57			55	54				
						52	51	50		48		46	45	44		42									37	35	34	33
						73				32	31			28	27	26											19	18
SALEABLE	NOT APPLICABLE	34566-5723	0	C	BLUE				69		67	66	64		62		60			57			55	54				
						52	51	50	49	48		46	45	44		42		41							37	35	34	33
						73				32	31			28	27	25												18

MX123 52/66/73/80-WAY RECEPTACLE ASSY SEALED PIN OUT SHEET

STATUS	GM PART #	HRNS CONN ASSY			TPA	GROMMET CAP																						
		MATERIAL/PART	WIRE DRESS OPTION	KEY OPTION Fp	COLOR OPTION Fp	NUMBERS INDICATE CAVITIES OPEN FOR CIRCUITS																						
		NUMBER				Fp																						
SALEABLE	NOT APPLICABLE	34566-5733	0	A	BLACK	52	71	70	69					64	63			60	59	58	57	56	55	54	53			
							51		49				45	44	43	42	41								36			
						73				32		30		28		26											19	18
SALEABLE	NOT APPLICABLE	34566-5743	0	A	BLACK	52	71	70	69					64	63			60	59		57	56	55	54	53			
							51		49				45	44	43	42	41								36			
						73				32		30		28		26											19	18
SALEABLE	NOT APPLICABLE	34566-5753	0	A	BLACK	52	71	70	69					64	63			60	59		57	56	55	54	53			
							51		49				45	44	43	42	41								36			
						73				32		30		28		26				23		21				19	18	
SALEABLE	NOT APPLICABLE	34566-5763	0	C	BLUE	72		70		68		66			63	62			59	58	57				53			
						52	51			48	47	46		44		42		40	39				37	36			34	33
						73				32		30			27	26	25	24		22	21	20						
SALEABLE	NOT APPLICABLE	34566-5773	0	C	BLUE	72		70		68		66			63	62			59	58	57				53			
						52	51			48	47			44		42		40	39				37	36			34	33
						73				32		30			27	26	25	24		22	21	20						
SALEABLE	NOT APPLICABLE	34566-5783	0	C	BLUE	72		70		68		66			63	62			59	58	57				53			
						52	51			48	47			44		42		40	39				37	36			34	33
						73				32		30			27	26	25	24		22	21	20						
SALEABLE	NOT APPLICABLE	34566-5793 SAME AS P/N 34566-4013	0	B	ST GRN	72		70		68		66					60	59						55	54	53		
						52		50		48		46					40	39							35	34	33	
						73				32	31	30	29	28	27	26	25	24										
SALEABLE	NOT APPLICABLE	34566-5813	0	B	ST GRN	72		70		68		66					60	59						55	54	53		
						52		50		48		46					40	39							35	34	33	
						73				32	31	30	29	28	27	26	25	24	23								19	18
SALEABLE	NOT APPLICABLE	34566-5823	0	A	BLACK	72		70							63													
						52			49						43		41											
						73					31	30		28	27	26			23						20	19		
SALEABLE	NOT APPLICABLE	34566-5833	0	A	BLACK	72		70							63													
						52			49						43		41											
						73					31	30		28	27	26			23						20	19		
SALEABLE	NOT APPLICABLE	34566-5843	0	H	ST GRN		79																					
							59		57			74	73	72	71			68	67			65	64	63	62	61		
								38				34	33					29	27			25						
SALEABLE	NOT APPLICABLE	34566-5853	0	H	ST GRN		79																					
							59		57			74	73	72	71			68	67			65	64	63	62	61		
								38				34	33					29	27			25						
SALEABLE	NOT APPLICABLE	34566-5863	0	C	BLUE	72		70				66			63	62			59		57	56	55		53			
						52	51					46		44		42		40	39			37	36			34	33	
						73				32		30				26	25			22	21					19	18	
SALEABLE	NOT APPLICABLE	34566-5873	0	B	ST GRN																							
						52				48	47	46		44	43		41	40								20	19	18
						73				16	15	14														4		
SALEABLE	NOT APPLICABLE	34566-5883	0	B	ST GRN	72										62	61											
						52				48	47	46			43		41	40										
						73						30														20	19	18

MX123 52/66/73/80-WAY RECEPTACLE ASSY SEALED PIN OUT SHEET

STATUS	GM PART #	HRNS CONN ASSY			TPA	GROMMET CAP																					
		MATERIAL/PART	WIRE DRESS OPTION	KEY OPTION Fp	COLOR OPTION Fp	NUMBERS INDICATE CAVITIES OPEN FOR CIRCUITS																					
		NUMBER				Fp																					
SALEABLE	NOT APPLICABLE	34566-5893	0	C	BLUE	52	51	50	69	48	67	66	45	44	62	60	57	55	54	33	34	35	18	19			
						73			32	28	27	26	9	37	19	18											
						16	15	14	13	12	11	10															
SALEABLE	NOT APPLICABLE	34566-5913	0	C	BLUE	52	51	50	49	68	67	66	64	61	60	57	54	33	34	35	18	19	20				
						73			32	28	27	25	9	37	18												
						16	15	14	13	12	11	10															
SALEABLE	NOT APPLICABLE	34566-5933	0	C	BLUE	72	71	70	69	68	67	66	64	63	62	59	57	56	55	53	34	33	35	18	19		
						73			32	47	46	44	42	40	39	23	22	21									
						15	14					10	9	7	6	5	4										
SALEABLE	NOT APPLICABLE	34566-5943	0	C	BLUE	72	71	70	69	68	67	66	64	63	62	59	57	56	55	53	34	33	35	18	19		
						73			32	47	46	44	42	40	39	22	21	20									
						15	14	13				10	9			6	5	4									
SALEABLE	NOT APPLICABLE	34566-5953	0	A	BLACK	52	51	50	49	68	67	66	65	64	63	62	61	60	58	57	56	55	54	53			
						73			32	47	46	45	44	43	42	41	24										
						16	15	14	13	12	11	10															
SALEABLE	NOT APPLICABLE	34566-5963	0	B	ST GRAY	72	71	70	69	68	67	66	65	64	63	62	61	60	59	58	57	56	55	54	53		
						73			32	47	46	45	44	43	42	41	40	39	38	37	36	35	34	33			
						16	15	14	13			10	9	8													
SALEABLE	NOT APPLICABLE	34566-5973	0	C	BLUE	72	71	70	69	68	67	66	64	63	62	59	57	56	55	53	34	33	35	18	19		
						73			32	47	46	44	42	40	39	22	21	20									
						15	14					10	9			6	5	4	3								
SALEABLE	NOT APPLICABLE	34566-5983	0	C	BLUE	52	51	50	69	48	67	66	64	62	60	57	55	54	33	34	35	18	19	20			
						73			32	28	27	26	9	37	19	18											
						16	15	14	13	12	11	10															
SALEABLE	NOT APPLICABLE	34566-5993	0	A	BLACK	52	51	50	49	68	67	66	65	64	63	62	61	60	58	57	56	55	54	53			
						73			32	47	46	45	44	43	42	41	40	39	23	21	20	19	18	17			
						16	15	14	13	12	11	10															
SALEABLE	NOT APPLICABLE	34566-6013	0	B	ST GRAY	52	51	50	49	68	67	66	65	64	63	62	61	60	59	58	57	56	55	54	53		
						73			32	47	46	45	44	43	42	41	40	39	37	22	21	20					
						16	15	14	13			10	9	8	7	6	5	4									
SALEABLE	NOT APPLICABLE	34566-6023	0	A	BLACK	72	71	70	69	68	67	66	65	64	63	62	61	60	59	58	57	56	55	54	53		
						73			32	47	46	45	44	43	42	41	40	39	38	37	36	35	34	33			
						16	15		13	12	11	10															
SALEABLE	NOT APPLICABLE	34566-6033	0	A	BLACK	52	51	50	49	68	67	66	65	64	63	62	61	60	58	57	56	55	54	53			
						73			32	47	46	45	44	43	42	41	40	39	38	37	36	35	34	33			
						16	15		13	12	11	10															
SALEABLE	NOT APPLICABLE	34566-6043	0	B	ST GRAY	52	51	50	49	68	67	66	65	64	63	62	61	60	58	57	56	55	54	53			
						73			32	47	46	45	44	43	42	41	40	39	38	37	36	35	34	33			
						16	15		13	12	11	10															
SALEABLE	NOT APPLICABLE	34566-6053	0	B	ST GRAY	72	71	70	69	68	67	66	65	64	63	62	61	60	58	57	56	55	54	53			
						73			32	47	46	45	44	43	42	41	40	39	38	37	36	35	34	33			
						16	15	14																			
SALEABLE	NOT APPLICABLE	34566-6063	0	C	BLUE	52	51	50	69	48	67	66	64	62	60	57	55	54	33	34	35	18	19	20			
						73			32	28	27	26	9	37	19	18											
						16	15	14	13	12	11	10															

MX123 52/66/73/80-WAY RECEPTACLE ASSY SEALED PIN OUT SHEET

STATUS	GM PART #	HRNS CONN ASSY			TPA	GROMMET CAP																																	
		MATERIAL/PART	WIRE DRESS OPTION	KEY OPTION Fp	COLOR OPTION Fp	NUMBERS INDICATE CAVITIES OPEN FOR CIRCUITS																																	
		NUMBER				Fp																																	
SALEABLE	NOT APPLICABLE	34566-6073	0	C	BLUE	52	51	50	69	48	67	66	45	64	61	60	57	54	34	33	73	32	28	27	25	18	17												
						72	70	68	67	66	63	62	59	57	53	73	16	15	14	13	12	11	10	9	2														
						52	51	48	47	46	44	42	40	39	37	36	34	33	73	32	30	26	25	22	21	2													
SALEABLE	NOT APPLICABLE	34566-6083	0	C	BLUE	72	70	68	67	66	63	62	59	57	53	73	15	14	10	9	6	5	4	2															
						52	51	48	47	46	44	42	40	39	37	36	34	33	73	32	30	26	25	22	21	2													
						72	70	67	66	63	62	61	60	59	57	53	73	16	14	11	4																		
SALEABLE	NOT APPLICABLE	34566-6093	0	B	ST GRAY	52	46	43	41	40	20	19	18	73	27	4																							
						72	70	67	66	63	62	61	60	59	57	53	73	16	14	11	4																		
						52	46	43	41	40	20	19	18	73	27	4																							
SALEABLE	NOT APPLICABLE	34566-6113	0	A	BLACK	72	71	70	69	68	66	65	64	63	62	61	60	58	57	56	55	54	53	73	32	31	30	29	28	27	26	25	23	22	21	20	19	18	
						52	51	50	49	48	46	45	44	43	42	41	40	39	38	37	36	34	33	73	16	15	14	13	12	11	10	9	8	7	6	5	4	3	2
						72	71	70	69	68	66	65	64	63	62	61	60	58	57	56	55	54	53	73	32	31	30	29	28	27	26	25	23	22	21	20	19	18	
SALEABLE	NOT APPLICABLE	34566-6123	0	C	BLUE	52	51	50	69	48	67	66	45	64	62	60	57	54	34	33	73	28	27	26	37	34	33												
						72	70	68	67	66	63	62	59	57	53	73	16	15	14	13	12	11	10	9	8	7	6	5	4	3	2								
						52	51	48	47	46	44	42	40	39	38	37	36	34	33	73	32	30	26	25	24	22	21	2											
SALEABLE	NOT APPLICABLE	34566-6133	9	C	BLUE	72	70	68	67	66	63	62	59	57	53	73	15	14	9	8	6	5	4	2															
						52	51	48	47	46	44	42	40	39	38	37	36	34	33	73	32	30	26	25	24	22	21	2											
						72	70	67	66	63	62	61	60	59	57	53	73	16	14	11	10	9	8	7	6	5	4	3	2										
SALEABLE	NOT APPLICABLE	34566-6173	9	B	ST GRAY	52	47	46	44	41	19	18	17	73	32	31	30	29	27	26	25	24	22	21	19	18	17												
						72	70	68	67	66	63	62	61	60	59	57	53	73	16	15	14	13	11	10	9	8	7	6	5	4	3	2							
						52	47	46	44	41	19	18	17	73	32	31	30	29	27	26	25	24	22	21	19	18	17												
SALEABLE	NOT APPLICABLE	34566-6183	9	A	BLACK	52	47	46	44	41	19	18	17	73	32	31	30	29	27	26	25	24	22	21	19	18	17												
						72	70	68	67	66	63	62	61	60	59	57	53	73	16	15	14	13	11	10	9	8	7	6	5	4	3	2							
						52	47	46	44	41	19	18	17	73	32	31	30	29	27	26	25	24	22	21	19	18	17												
SALEABLE	NOT APPLICABLE	34566-6193	9	B	ST GRAY	72	71	70	69	68	67	66	65	64	62	61	60	59	58	57	56	55	54	53	73	32	31	30	29	28	27	26	25	24	21	20	18	17	
						52	51	50	49	48	46	44	41	40	38	37	36	34	33	73	16	15	14	13	12	10	9	8	7	6	5	4	3	2					
						72	71	70	69	68	67	66	65	64	62	61	60	59	58	57	56	55	54	53	73	32	31	30	29	28	27	26	25	24	21	20	18	17	
SALEABLE	NOT APPLICABLE	34566-6213	9	A	BLACK	52	47	46	44	41	19	18	17	73	32	31	30	29	27	26	25	24	22	21	19	18	17												
						72	70	68	67	66	63	62	61	60	59	57	53	73	16	15	14	13	11	10	9	8	7	6	5	4	3	2							
						52	47	46	44	41	19	18	17	73	32	31	30	29	27	26	25	24	22	21	19	18	17												
SALEABLE	NOT APPLICABLE	34566-6223	9	C	BLUE	72	70	68	67	66	63	62	59	57	53	73	15	14	13	10	9	6	5	4	2														
						52	51	48	47	46	44	42	40	39	37	36	34	33	73	32	30	27	26	25	22	21	20												
						72	70	68	67	66	63	62	59	57	53	73	15	14	13	10	9	6	5	4	2														
SALEABLE	NOT APPLICABLE	34566-6233	9	B	ST GRAY	72	70	68	67	66	63	62	59	57	53	73	16	15	14	13	10	9	8	2	1														
						52	50	48	47	46	44	42	40	39	37	36	34	33	73	32	31	30	29	28	27	26	25	24	21	20	18	17							
						72	70	68	67	66	63	62	59	57	53	73	16	15	14	13	10	9	8	2	1														
SALEABLE	NOT APPLICABLE	34566-6243	9	A	BLACK	52	71	70	69	45	64	63	60	59	58	57	56	55	54	53	73	32	30	28	26	19	18												
						72	70	68	67	66	63	62	61	60	59	57	56	55	54	53	73	16	15	14	12	10	3												
						52	51	50	49	48	46	44	43	42	41	39	37	36	34	33	73	32	30	28	26	19	18												
SALEABLE	NOT APPLICABLE	34566-6253	9	C	BLUE	72	70	68	67	66	63	62	59	57	53	73	15	14	13	10	9	8	6	5	4	2													
						52	51	48	47	46	44	42	40	39	37	36	34	33	73	32	30	27	26	25	24	22	21	20											
						72	71	70	69	68	67	66	63	62	61	60	59	58	57	56	55	54	53	73	32	31	30	29	28	27	26	25	24	21	20	18	17		
SALEABLE	NOT APPLICABLE	34566-6263	9	B	ST GRAY	72	71	70	69	68	67	66	63	62	61	60	59	58	57	56	55	54	53	73	32	31	30	29	28	27	26	25	24	21	20	18	17		
						52	51	50	49	48	47	46	44	42	41	40	39	38	37	36	35	34	33	73	16	15	14	13	10	9	8	3	2	1					
						72	71	70	69	68	67	66	63	62	61	60	59	58	57	56	55	54	53	73	32	31	30	29	28	27	26	25	24	21	20	18	17		

MX123 52/66/73/80-WAY RECEPTACLE ASSY SEALED PIN OUT SHEET

STATUS	GM PART #	HRNS CONN ASSY			TPA	GROMMET CAP																		
		MATERIAL/PART	WIRE DRESS OPTION	KEY OPTION Fp	COLOR OPTION Fp	NUMBERS INDICATE CAVITIES OPEN FOR CIRCUITS																		
		NUMBER				Fp																		
SALEABLE	NOT APPLICABLE	34566-6273	9	B	ST GRAY	71	70	69	65	64	63	62	61	60	58	57	56	55	54	53				
						52	51	50	49	48	47	45	44	43	42	41	40	39	37	36	19	18		
						73			32	30	29	28	27	26	24							3		
SALEABLE	NOT APPLICABLE	34566-6283	9	C	BLUE	72	71	70	68	67	66	63	62	59	57									
						52	51		48	47	46	44			40	39					34	33		
						73			32	30			27	26	25		22	21						
SALEABLE	NOT APPLICABLE	34566-6293	9	B	ST GRAY	72	71	70	68	67	66	62	61	60	59	58	57	56	55	54	53			
						52	51	50	48	47	46			42	41	40	39	38	37	36	35	34	33	
						73			32	31	30	29	28	27	26	25	24							17
SALEABLE	NOT APPLICABLE	34566-6313	9	B	ST GRAY	71	70	69				63	62	61	60	58	57	56	55	54	53			
						52	51	50	49			44	43	42	41	39	37	36			19	18		
						73			32		29	28	27	26								3		
SALEABLE	NOT APPLICABLE	34566-6323	9	B	ST GRAY	71	70	69				64	63		60	59	58	57	56	55	54	53		
						52	51	50	49			45	44	43	42	41	39	37	36			34		
						73			32		30		28		26							19	18	
SALEABLE	NOT APPLICABLE	34566-6333	9	C	BLUE	72	71	70	68	67	66	63	62	59	57	56	55	54	53					
						52	51		48	47	46	44			40	39					34	33		
						73			32		30		27	26	25		22	21			19	18		
SALEABLE	NOT APPLICABLE	34566-6343	9	A	BLACK	71	70	69				63	62	61	60	58	57	56	55	54	53			
						52	51	50	49			44	43	42	41	40	39	37	36			34		
						73			32		29	28	27	26								19	18	17
SALEABLE	NOT APPLICABLE	34566-6353	9	C	BLUE	72	71	70	68	67	66	63	62	59	58	57	56	55	54	53				
						52	51		48	47	46	44			40	39					34	33		
						73			32		30		27	26	25		23	22	21	20			17	
SALEABLE	NOT APPLICABLE	34566-6363	9	B	ST GRAY	72	71	70	68	67	66			60	59			55	54	53				
						52	51	50	48	47	46			40	39					35	34	33		
						73			32	31	30	29	28	27	26	25	24	23			19	18	17	
SALEABLE	NOT APPLICABLE	34566-6373	9	A	BLACK	72	71	70	69	67		64	63		60	59	58	57	56	55	54	53		
						52	51	50	49	47		45	44	43	42	41	40	39	37	36			34	
						73			32		30		28		26		23		21		19	18	17	
SALEABLE	NOT APPLICABLE	34566-6383	9	A	BLACK	72	71	70	69	68	66	65	64	63	61	60	57	56	54	53				
						52	51	50	49	48	46	45	44	43	42	41	40	39	38	37	36		34	33
						73			32	31	30	29	28				23	22	21				2	1
SALEABLE	NOT APPLICABLE	34566-6393	9	C	BLUE	71	70	69	67	66	65	64	62	61	60	58	57	55	54					
						52	51	50	49	48	47	46	45	44	42	41		38	37		35	34	33	
						73			32		28	27	26	25							19	18	17	
SALEABLE	NOT APPLICABLE	34566-6413	9	B	ST GRAY	72	71	70	68	67		63	62	61	60	59			55					
						52	51		48	47	46	44	43	41	40			38	37	36	35			
						73			32		30		27							20	19	18	17	
SALEABLE	NOT APPLICABLE	34566-6423	9	C	BLUE	72	71	70	69	67	66	65	64				56	54						
						52	51	50	49	48	46	45	44			39	38					34		
						73			32	31	30	29	28		26	25		23	22	21				17
SALEABLE	NOT APPLICABLE	34566-6433	9	A	BLACK	72	71	70	67	66		63	62	61	60	59	58	57	56	55				
						52	51		48	47	46			43	42	40	39	38	37	36	35			
						73			32				28	27					22	21			18	17

MX123 52/66/73/80-WAY RECEPTACLE ASSY SEALED PIN OUT SHEET

STATUS	GM PART #	HRNS CONN ASSY			TPA	GROMMET CAP																					
		MATERIAL/PART	WIRE DRESS OPTION	KEY OPTION Fp	COLOR OPTION Fp	NUMBERS INDICATE CAVITIES OPEN FOR CIRCUITS																					
		NUMBER				Fp																					
SALEABLE	NOT APPLICABLE	34566-6443	9	B	ST GRAY	72	71	70	69	68	67	66	65	64	63		61	60			57	56	55				
						52	51	50	49	48	47	46	45	44	43		41	40			38	37	36	35	34	33	
						73				32	31	30	29	28		26	25	24	23	22	21	20	19	18	17		
SALEABLE	NOT APPLICABLE	34566-6453	0	C	BLUE		71	70	69		67		65	64		62	61	60			57			54			
						52	51	50	49	48	47	46	45	44		42	41			37				34	33		
						73				32				28	27	26	25								18	17	
SALEABLE	NOT APPLICABLE	34566-6463	0	B	ST GRAY	72				68	67					62	61							55			
						52				48	47	46			43			40									
						73						30										20	19	18			
SALEABLE	NOT APPLICABLE	34566-6473	9	C	BLUE			70	69		67	66		64		62		60			57		55	54			
						52	51	50		48		46	45	44		42			37				35	34	33		
						73				32				28	27	26								19	18	17	
SALEABLE	NOT APPLICABLE	34566-6483	9	A	BLACK	72	71	70	69	68		66	65	64	63		61	60			57	56		54	53		
						52	51	50	49	48		46	45	44	43			40	39	38	37	36		34	33		
						73				32	31	30	29	28		26	25		23	22	21	20				2	
SALEABLE	NOT APPLICABLE	34566-6493	9	B	ST GRAY	72			70							62	61							55			
						52				48	47	46			43		41	40									
						73						30										20	19	18			
SALEABLE	NOT APPLICABLE	34566-6513	0	B	ST GRAY					68	67					62	61						55	54			
						52						46			43			40									
						73				16	15	14						8				4	3	2			
SALEABLE	NOT APPLICABLE	34566-6523	0	B	ST GRAY					68	67			64					59	58				54			
												46	45					39	38								
						73				32		30	29	28	27			23	22								17
SALEABLE	NOT APPLICABLE	34566-6533	9	B	ST GRAY					68	67			64													
												46	45														
						73				32		30	29	28	27												17
SALEABLE	NOT APPLICABLE	34566-6543	9	A	BLACK					68	67			64													
												46	45														
						73				32	31	30	29	28		26	25		23	22	21	20				2	
SALEABLE	NOT APPLICABLE	34566-6553	9	A	BLACK	72	71	70	69		67			64	63		60	59	58	57	56	55	54	53			
						52	51	50	49		47			45	44	43	42	41	40	39	37	36		34			
						73				32		30		28		26							19	18	17		
SALEABLE	NOT APPLICABLE	34566-6563	9	C	BLUE				70		68		66		63	62			59	58	57			53			
						52	51			48	47	46		44			40	39								34	33
						73				32		30			27	26	25		23	22	21	20					17
SALEABLE	NOT APPLICABLE	34566-6573	9	A	BLACK					68	67			64	63		60	59	58	57	56	55	54	53			
						52	51	50	49		47			45	44	43	42	41	40	39		37	36		34		
						73				32		30		28		26			23		21		19	18			
SALEABLE	NOT APPLICABLE	34566-6583	9	A	BLACK				70	69					63	62	61	60		58	57	56	55	54	53		
						52	51	50	49					44	43	42	41	40	39		37	36				34	
						73				32			29	28	27	26										19	18
SALEABLE	NOT APPLICABLE	34566-6593	0	C	BLUE				69		67			64		62		60			57		55	54			
						52	51	50		48		46	45	44		42				37				35	34	33	
						73				32				28	27	26							20	19	18	17	

MX123 52/66/73/80-WAY RECEPTACLE ASSY SEALED PIN OUT SHEET

STATUS	GM PART #	HRNS CONN ASSY			TPA	GROMMET CAP																					
		MATERIAL/PART	WIRE DRESS OPTION	KEY OPTION Fp	COLOR OPTION Fp	NUMBERS INDICATE CAVITIES OPEN FOR CIRCUITS																					
		NUMBER				Fp																					
SALEABLE	NOT APPLICABLE	34566-6613	0	A	BLACK	72	71	70	69			66		64	63		61	60			57	56		54	53		
						52	51	50	49			46	45	44	43		26	25		23	22	21				34	33
						73				32	31	30	29	28					9		7	6	5				2
SALEABLE	NOT APPLICABLE	34566-6623	9	B	ST GRAY					68	67			64					59	58			54				
												46	45						39	38							
						73				32		30	29	28	27					23	22						
SALEABLE	NOT APPLICABLE	34566-6633	9	C	BLUE				69		67	66		64		62		60			57			54			
						52	51	50		48		46	45	44		42						37				34	33
						73								28	27	26											
SALEABLE	NOT APPLICABLE	34566-6643	9	C	BLUE		71			68	67		65	64	63		61	60		58	57			54			
						52	51	50		48			45		43		41				38	37				34	33
						73								28	27		25										
SALEABLE	NOT APPLICABLE	34566-6653	9	B	ST GRAY	72				68						62	61	60	59					55			
						52				48	47	46		44	43		41	40		38	37	36	35				
						73						30										20	19	18			
SALEABLE	NOT APPLICABLE	34566-6663	9	A	BLACK					68		66	65	64	63		60			57	56			54			
						52	51	50	49	48		46	45	44	43	42		40	39	38	37	36				34	
						73				32	31	30	29	28			26	25		23	22	21	20				
SALEABLE	NOT APPLICABLE	34566-6673	9	B	ST GRAY	72	71	70	69	68	67	66	65	64	63		61	60	59		57	56	55				
						52	51	50	49	48	47	46	45	44	43		41	40	39	38	37	36	35	34	33		
						73				32	31	30	29	28			26		24	23	22	21	20	19	18	17	
SALEABLE	NOT APPLICABLE	34566-6683	9	A	BLACK			70		67					63		60	59	58	57							
						52				48	47	46			43	42		40	39	38	37						
						73				32	31	30	29	28	27						22	21					
SALEABLE	NOT APPLICABLE	34566-6693	9	C	BLUE	72	71	70	69		67	66	65	64						56				54			
						52	51	50	49		47	46	45	44					39	38						34	
						73						31	30	29	28			26	25	24	23	22	21				
SALEABLE	TBD	34822-0063	9	A	BLACK		63	62	61	60	59					54	53		51		49				66		
							47									38	37		35		33						
						65								28				25		22	21	20	19	18	17		
SALEABLE	NOT APPLICABLE	34566-6713	9	A	BLACK	72	71	70	69	68		66	65	64	63		61	60		57	56			54	53		
						52	51	50	49	48		46	45	44	43	42	41	40	39	38	37	36				34	33
						73				32	31	30	29	28			26	25		23	22	21					2
SALEABLE	NOT APPLICABLE	34566-6723	0	H	ST GRAY		79					74	73					67		65	64	63	62	61			
							59						53	52							25		44	43	42	41	
								38					33							27							
SALEABLE	NOT APPLICABLE	34566-6733	0	G	BLUE			78	77		75	74		72		70				64	63						
						60		58	57		55	54		52	51	50	49		47		45						
						40	39	38	37				33	32	31				27	26							
SALEABLE	NOT APPLICABLE	34566-6743	9	C	BLUE		71		69	68	67		65	64	63		61	60		57				34	33		
						52	51	50		48		46	45		43		41				37						
						73				16	15	14	13	12	11	10	9	8	7								
SALEABLE	NOT APPLICABLE	34566-6753	9	A	BLACK	72	71	70	69	68		66	65	64		61	60		57	56			54	53			
						52	51	50	49	48		46	45	44	43	42		40	39	38	37	36				34	33
						73						31	30	29	28					23	22	21	20				

MX123 52/66/73/80-WAY RECEPTACLE ASSY SEALED PIN OUT SHEET

STATUS	GM PART #	HRNS CONN ASSY			TPA	GROMMET CAP																							
		MATERIAL/PART	WIRE DRESS OPTION	KEY OPTION Fp	COLOR OPTION Fp	NUMBERS INDICATE CAVITIES OPEN FOR CIRCUITS																							
		NUMBER				Fp																							
SALEABLE	NOT APPLICABLE	34566-6933	9	B	ST GRAY	72				68	67				63	62	61	60	59				55		53				
						52				48	47	46		44	43		41	40				38	37	36	35				
						73						30			27							22	21	20	19	18	17		
SALEABLE	NOT APPLICABLE	34566-6943	9	A	BLACK	72	71	70	69	68		66	65	64	63		61	60				57	56		54	53			
						52	51	50	49	48		46	45	44	43	42	41	40	39	38	37	36				34	33		
						73				32	31	30	29	28							23	22	21						
SALEABLE	NOT APPLICABLE	34566-6953	0	A	BLACK	72	71	70	69			66	65	64	63		61	60				57	56		54	53			
						52	51	50	49			46	45	44	43			40	39	38	37	36				34	33		
						73				32	31	30	29	28			26	25		23	22	21	20					2	1
SALEABLE	NOT APPLICABLE	34566-6963	0	B	ST GRAY	72		70		68	67					62	61						55						
						52				48	47	46			43			40								20	19	18	
						73						30														8		4	2
SALEABLE	NOT APPLICABLE	34566-6973	0	C	BLUE		71	70	69			67		65	64		62	61	60				57		55	54			
						52	51	50	49	48	47	46	45	44		42	41								37		35	34	33
						73				32				28	27	26	25											19	18
SALEABLE	NOT APPLICABLE	34566-6983	0	C	BLUE		71		69			67		65	64		62	61	60				57		55	54			
						52	51	50		48	47	46	45	44		42									37		35	34	33
						73								28	27	26													18
SALEABLE	NOT APPLICABLE	34566-6993	0	G	BLUE			78	77	76										67	66	65							
						40	39	38	37	36	35	34	33	32				29	28						25			21	
						20	19	18	17	16	15	14	13	12														3	1
SALEABLE	NOT APPLICABLE	34566-7013	9	A	BLACK		71	70	69					64	63	62	61	60	59	58	57	56	55	54	53				
						52	51	50	49				45	44	43	42	41		39							37	36	34	
						73				32			29	28	27	26												19	18
SALEABLE	NOT APPLICABLE	34566-7023	0	A	BLACK	72	71	70	69	68		66	65	64			61	60				57	56		54	53			
						52	51	50	49	48		46	45	44	43			40	39	38	37	36				34	33		
						73						31	30	29	28			26	25		23	22	21	20					
SALEABLE	NOT APPLICABLE	34566-7033	0	A	BLACK			70	69					65		63	62	61	60			58	57	56	55	54	53		
						52	51		49					44	43	42	41								37	36		34	
						73				32			29	28	27	26									21			19	18
SALEABLE	NOT APPLICABLE	34566-7043	0	B	ST GRAY	72				68	67				63	62	61	60	59				55						
						52						46			43		41	40											
						73									27												20	19	18
SALEABLE	NOT APPLICABLE	34566-7053	0	C	BLUE		71		69			67		65	64		62	61	60				57		54				
						52	51	50	49	48	47	46	45	44		42	41								37		34	33	
						73				16	15	14	13	12	11	10	9	8	7										
SALEABLE	NOT APPLICABLE	34566-7063	0	C	BLUE	72		70		68	67	66			63	62			59			57			53				
						52	51			48	47	46		44				40	39								34	33	
						73				32		30				26	25					22	21						
SALEABLE	NOT APPLICABLE	34566-7073	9	F	NATURAL				69	68											58	57							
															43	42											33		
						73							30														19	18	17
SALEABLE	NOT APPLICABLE	34566-7083	9	B	ST GRAY																								
						73				16	15	14	13	12	11	10			8	7						3	2	1	



MX123 52/66/73/80-WAY RECEPTACLE ASSY SEALED PIN OUT SHEET

STATUS	GM PART #	HRNS CONN ASSY			TPA	GROMMET CAP																								
		MATERIAL/PART	WIRE DRESS OPTION	KEY OPTION Fp	COLOR OPTION Fp	NUMBERS INDICATE CAVITIES OPEN FOR CIRCUITS																								
		NUMBER																												
SALEABLE	NOT APPLICABLE	34566-7093	9	B	ST GRY	72	71	70	69	68	67	66	65	64	63					59								53		
						52	51	50	49	48	47	46	45	44	43						39								34	33
						73				32	31	30	29	28	27	26	25	24	23											
SALEABLE	NOT APPLICABLE	34566-7113	9	G	BLUE	80	79	78		76					71				67											
						60	59	58	57			54			51	50	49	48	47						44				41	
						40	39		37					33	32		30	29	28	27			25	24						
SALEABLE	NOT APPLICABLE	34566-7123	9	G	BLUE	20	19	18						12	11		9	8			5				3	2				
						80	79	78							71					67										
						60	59	58	57			54			51	50	49	48	47						44					41
SALEABLE	NOT APPLICABLE	34566-7123	9	G	BLUE	40	39						33	32		30	29	28	27			25	24							
						20	19	18						12	11		9	8					5				3	2		
SALEABLE	NOT APPLICABLE	34566-7133	9	B	ST GRY													58								54	53			
						73										27	25													
SALEABLE	NOT APPLICABLE	34566-7143	0	A	BLACK			70	69						63			60	59	58	57	56	55	54	53					
						52	51		49	48	47			44	43	42	41													
						73				32				28		26												19	18	
SALEABLE	NOT APPLICABLE	34566-7153	0	C	BLUE			70				66			63	62			59	58	57					53				
						52	51		49	48	47	46		44		42		40	39											
						73				32		30				26	25	24			22	21								
SALEABLE	NOT APPLICABLE	34566-7163	0	A	BLACK			70	69	68	67																			
						52		50	49	48	47			45	44	43		41	40											
						73				16	15					11														
SALEABLE	NOT APPLICABLE	34566-7173	0	B	ST GRY					68	67	66	65	64	63															
												46	45		43															
						73				32		30	29	28	27															
SALEABLE	NOT APPLICABLE	34566-7183	0	B	ST GRY	72	71	70	69	68	67	66	65	64	63	62	61	60	59	58	57	56	55	54	53					
						52	51	50	49	48	47	46	45	44	43	42	41	40	39	38	37	36	35	34	33					
						73				32	31	30	29	28	27	26	25	24												
SALEABLE	NOT APPLICABLE	34566-7193	0	A	BLACK			70	69																					
						52	51		49					44	43	42	41													
						73				32				29	28	27	26													
SALEABLE	NOT APPLICABLE	34566-7213	0	A	BLACK			70	69						63															
						52	51		49					44	43	42	41													
						73				32				28		26														
SALEABLE	NOT APPLICABLE	34566-7223	0	C	BLUE			70		68		66			63	62			59		57									
						52	51			48	47	46		44		42		40	39											
						73				32		30				26	25	24			22	21	20							
SALEABLE	NOT APPLICABLE	34566-7233	9	A	BLACK																									
						52	51					46	45		43			40												
						73				32		30	29					25												
SALEABLE	NOT APPLICABLE	34566-7243	9	A	BLACK																									
						52	51			48		46	45		43			41	40											
						73				32		30	29					25												
SALEABLE	TBD	34822-0073	0	A	BLACK		63	62	61	60	59					54	53		51		49	66								
							47											38	37		35		33							
						65													28			25			22	21	20	19	18	17

MX123 52/66/73/80-WAY RECEPTACLE ASSY SEALED PIN OUT SHEET

STATUS	GM PART #	HRNS CONN ASSY			TPA	GROMMET CAP																										
		MATERIAL/PART	WIRE DRESS OPTION	KEY OPTION Fp	COLOR OPTION Fp	NUMBERS INDICATE CAVITIES OPEN FOR CIRCUITS																										
		NUMBER				Fp																										
SALEABLE	TBD	34822-0083	9	A	BLACK	63	62	61	60	59						54	53		51		49	66										
						47									39	38	37		35					20	19	18	17					
						65									28			25				22	21									
SALEABLE	NOT APPLICABLE	34566-7253	0	B	ST GRY	72									62	61																
						52				48	47	46		44	43		41	40														
						73																		20	19	18						
SALEABLE	NOT APPLICABLE	34566-7263	0	C	BLUE				69		67	66		64		62		60			57											
						52	51	50		48		46	45	44		42							37									
						73									28	27	26											18				
SALEABLE	NOT APPLICABLE	34566-7273	0	C	BLUE				69		67	66		64		62		60			57											
						52	51	50		48		46	45	44		42							37									
						73									28	27	26											18				
SALEABLE	NOT APPLICABLE	34566-7283	0	C	BLUE				69		67	66		64		62		60			57											
						52	51	50		48		46	45	44		42							37									
						73									28	27	26											18				
SALEABLE	NOT APPLICABLE	34566-7293	9	A	BLACK	72	71	70	69	68	67	66	65	64	63	62	61	60	59							53						
						52	51	50	49	48	47	46	45	44	43												34	33				
						73									32	31	30	29	28	27	26	25	24	23					17			
SALEABLE	NOT APPLICABLE	34566-7313	0	B	ST GRY						67					62	61								55							
						52				48	47	46			43			40														
						73																		22	21	20	19	18				
SALEABLE	NOT APPLICABLE	34566-7333	9	B	ST GRY	72	71	70	69	68	67	66	65	64	63	62	61	60	59								53					
						52	51	50	49	48	47	46	45	44	43													34	33			
						73									32	31	30	29	28		26		24	23	22	21	20	19	18	17		
SALEABLE	NOT APPLICABLE	34566-7343	9	B	ST GRY					68	67			64	63											55	54					
												46	45	44	43																	
						73									32		30	29	28	27					23	22			19	17		
SALEABLE	NOT APPLICABLE	34566-7353	9	C	BLUE				69		67	66		64		62		60			57											
						52	51	50		48	47	46	45	44		42								37								
						73									32				28	27	26								19	18	17	
SALEABLE	NOT APPLICABLE	34566-7363	0	B	ST GRY	72		70		68						62	61	60	59								55					
						52						46		44	43			41	40													
						73																							20	19	18	17
SALEABLE	NOT APPLICABLE	34566-7373	0	A	BLACK	72	71	70	69	68		66	65	64			61	60										54	53			
						52	51	50	49	48		46	45	44	43	42		40	39	38	37	36								34	33	
						73										31	30	29	28		26	25		23	22	21	20					
SALEABLE	NOT APPLICABLE	34566-7383	0	C	BLUE		71	70			67	66	65	64			61	60											54			
						52	51	50	49	48	47		45	44			41								37					34	33	
						73									32				28	27		25										
SALEABLE	NOT APPLICABLE	34566-7393	0	B	ST GRY	72					67					62	61												55			
						52				48	47	46		44	43			40														
						73																								20	19	18
SALEABLE	NOT APPLICABLE	34566-7413	0	A	BLACK	72	71	70	69	68		66	65	64	63		61	60											54	53		
							51	50	49	48		46	45	44	43	42		40	39	38	37	36									34	33
						73									32	31	30	29	28		26	25		23	22	21	20					



MX123 52/66/73/80-WAY RECEPTACLE ASSY SEALED PIN OUT SHEET

STATUS	GM PART #	HRNS CONN ASSY			TPA	GROMMET CAP																						
		MATERIAL/PART	WIRE DRESS OPTION	KEY OPTION	COLOR OPTION	NUMBERS INDICATE CAVITIES OPEN FOR CIRCUITS																						
		NUMBER		Fp		Fp	Fp																					
SALEABLE	NOT APPLICABLE	34566-7423	0	C	BLUE	52	51	70	69	48	67	46	45	64	61	60	57	54	34	33	73	32	28	27	25	37	18	17
SALEABLE	NOT APPLICABLE	34566-7433	0	B	ST GR Y	72				68					62	61	60	59			55							
SALEABLE	NOT APPLICABLE	34566-7443	0	A	BLACK	72	71	70	69	68		66	65	64	63		60			57	56	54						
SALEABLE	NOT APPLICABLE	34566-7453	0	C	BLUE	52	51	50	49	48	47	46	45	44	43	42	40	39	38	37	36	34						
SALEABLE	NOT APPLICABLE	34566-7463	0	B	ST GR Y	72				68	67				63	62	61				55							
SALEABLE	NOT APPLICABLE	34566-7473	0	B	ST GR Y	72				68	67				63	62	61				55							
SALEABLE	NOT APPLICABLE	34566-7483	0	B	ST GR Y	72				68	67				63	62	61				55							
SALEABLE	NOT APPLICABLE	34566-7493	0	C	BLUE	52	51	50	49	48	47	46	45	44	43	42				37		35	34	33				
SALEABLE	NOT APPLICABLE	34566-7513	9	A	BLACK	72	71	70	69	68		66	65	64	63		61	60			57	56						
SALEABLE	NOT APPLICABLE	34566-7523	0	A	BLACK	52	51			48	47	46	45		43		41	40			37							
SALEABLE	NOT APPLICABLE	34566-7533	0	G	BLUE	80	79	78							71	70			67									
SALEABLE	NOT APPLICABLE	34566-7543 SAME AS P/N 34566-1553	0	A	BLACK	60	59	58	57		54				51	50	49	48	47		45	44						
SALEABLE	NOT APPLICABLE	34566-7553 SAME AS P/N 34566-1983	0	B	ST GR Y	40	39		37	36		34	33	32		30	29	28	27		25	24	23	22	21			
SALEABLE	NOT APPLICABLE	34566-7563 SAME AS P/N 34566-1993	0	C	BLUE	20	19	18				13	12	11		9	8			5		3	2	1				
SALEABLE	NOT APPLICABLE	34566-7573	0	B	ST GR Y	72		70		68					62	61					55							

MX123 52/66/73/80-WAY RECEPTACLE ASSY SEALED PIN OUT SHEET

STATUS	GM PART #	HRNS CONN ASSY			TPA	GROMMET CAP																				
		MATERIAL/PART	WIRE DRESS OPTION	KEY OPTION Fp	COLOR OPTION Fp	NUMBERS INDICATE CAVITIES OPEN FOR CIRCUITS																				
		NUMBER				Fp																				
SALEABLE	NOT APPLICABLE	34566-7683	9	B	ST GRN	72	71	70	69	68	67	66	65	64	63	62	61	60	59		57	56	55			
						52	51	50	49	48	47	46	45	44	43		26	25	24	23	22	21	20	19	18	17
						73				32	31	30	29	28		11		9	8	7	6	5	4	3	2	1
SALEABLE	NOT APPLICABLE	34566-7693	9	A	BLACK	72								64		62	61			57	56	55	54			
						52	51					46	45		43			40			37		35	34		
						73				32	31	30	29		27		25					20				
SALEABLE	NOT APPLICABLE	34566-7713	9	A	BLACK	72								64		62	61			58	57	56	55	54		
						52	51			48		46	45		43		41	40			37		35	34		
						73				32		30	29		27		25				20					
SALEABLE	NOT APPLICABLE	34566-7723	9	A	BLACK	72								64		62	61			57	56	55	54	53		
						52	51			48		46	45		43		41	40			37		35	34		
						73				32		30	29		27		25			20						
SALEABLE	NOT APPLICABLE	34566-7733	9	A	BLACK	72								64		62	61			58	57	56	55	54		
						52	51			48		46	45		43		41	40			37		35	34		
						73				32		30	29		27		25			20						
SALEABLE	NOT APPLICABLE	34566-7743	0	C	BLUE	72		70		68	67	66			63	62	61	60	59	57				53		
						52	51		49	48	47	46		44		41	40	39		37	36	35	34	33		
						73				32		30			27	26	25	24		22	21	20				
SALEABLE	NOT APPLICABLE	34566-7753	0	A	BLACK		71	70	69	68	67			64	63	62	61	60	59	58	57	56	55	54	53	
						52	51	50	49			45	44	43	42	41		39	38	37	36		34			
						73				32	31		29	28	27	26	25				19	18				
SALEABLE	NOT APPLICABLE	34566-7763	0	F	NATURAL																					
						73																				
SALEABLE	NOT APPLICABLE	34566-7773	0	B	ST GRN	72		70							63	62	61	60	59							
						52						46			43		41	40								
						73				16		14			11				6		4					
SALEABLE	TBD	34822-0153	9	A	BLACK		63	62	61	60	59					54	53		51		49	66				
							47								38	37		35		33						
						65						15	14	13			25		8	7		22	21	20	19	18
SALEABLE	NOT APPLICABLE	34566-7783	0	A	BLACK	72	71	70	69	68		66	65	64	63			60		57	56		54			
						52	51	50	49	48		46	45	44	43	42	41	40	39	38	37	36		34		
						73				32	31	30	29	28		26	25		23	22	21				2	1
SALEABLE	NOT APPLICABLE	34566-7793	0	A	BLACK	72		70			67	66	65		63			60	59	58	57	56	55			
						52	51		49	48	47	46	45		43	42		40	39	38	37	36	35			
						73								28	27			23	22	21					18	17
SALEABLE	NOT APPLICABLE	34566-7813	0	A	BLACK			70	69	68	67				63	62	61	60	59	58	57	56	55	54	53	
						52	51	50	49					44	43	42	41	40	39	38	37	36		34		
						73				32			29	28	27	26	25			21		19	18			
SALEABLE	NOT APPLICABLE	34566-7823	0	B	ST GRN					68	67				63	62	61	60	59							
						52				48	47	46		44	43		41	40		38	37	36	35			
						73				16		14			11			8			4					
SALEABLE	NOT APPLICABLE	34566-7833	0	B	ST GRN	72	71	70	69	68	67	66	65	64	63		61	60	59		57	56	55			
						52	51	50	49	48	47	46	45	44	43		41	40	39	38	37	36	35	34	33	
						73				32	31	30	29	28		26	25	24	23	22	21	20	19	18	17	

MX123 52/66/73/80-WAY RECEPTACLE ASSY SEALED PIN OUT SHEET

STATUS	GM PART #	HRNS CONN ASSY			TPA	GROMMET CAP																				
		MATERIAL/PART	WIRE DRESS OPTION	KEY OPTION Fp	COLOR OPTION Fp	NUMBERS INDICATE CAVITIES OPEN FOR CIRCUITS																				
		NUMBER				Fp																				
SALEABLE	NOT APPLICABLE	34566-7843	9	C	BLUE	52	71	50	49	48	67	47	65	64	45	44	62	61	60	58	57	54	33			
						73				16	15	14	13	12	11	10	9	38	37	34	33					
						72	71	70	69	68	67	66	64	63	62	61	60	59	57	54	53					
SALEABLE	NOT APPLICABLE	34566-7853	9	C	BLUE	52	51	50	49	48	47	46	44	39	38	37	36	35	34	33						
						73				16	15	14	13	12	11	10	9	8	7	6	5	17				
						72	71	70	69	68	67	66	64	63	62	61	60	59	57	54	53					
SALEABLE	NOT APPLICABLE	34566-7863	9	C	BLUE	52	51	50	49	48	47	46	44	40	39	37	36	35	34	33						
						73				32	31	30	29	28	27	26	25	24	22	21	20	19	18	17		
						72	71	70	69	68	67	66	64	63	62	61	60	59	57	54	53					
SALEABLE	NOT APPLICABLE	34566-7873	9	A	BLACK	71	70	69	68	67	66	65	64	63	62	61	60	58	57	56	55	54				
						73				31	30	29	28	27	26	25	24	23	22	21	20	19	18	17		
						52	51	50	49	48	47	46	44	40	39	37	36	35	34	33						
SALEABLE	NOT APPLICABLE	34566-7883	9	A	BLACK	72	71	70	69	68	67	66	65	64	63	62	61	60	58	57	56	55	54			
						73				31	30	29	28	27	26	25	24	23	22	21	20	19	18	17		
						52	51	50	49	48	47	46	44	40	39	37	36	35	34	33						
SALEABLE	NOT APPLICABLE	34566-7893	9	A	BLACK	72	71	70	69	68	67	66	65	64	63	62	61	60	58	57	56	55	54			
						73				32	31	30	29	28	27	26	25	24	23	22	21	20	19	18	17	
						52	51	50	49	48	47	46	44	40	39	37	36	35	34	33						
SALEABLE	TBD	34822-0163	0	A	BLACK	64	63	62	61	60	59	58	57	56	55	54	53	52	51	50	49	48	47			
						65				15	14	13	12	11	10	9	8	7	6	5	4	3	2	1		
						80	79	78	77	76	75	74	73	72	71	70	69	68	67	66	65	64	63	62	61	60
SALEABLE	NOT APPLICABLE	34566-7913	9	G	BLUE	60	59	58	57	56	55	54	53	52	51	50	49	48	47	46	45	44	43	42		
						73				36	35	34	33	32	31	30	29	28	27	26	25	24	23	22	21	20
						40	39	38	37	36	35	34	33	32	31	30	29	28	27	26	25	24	23	22	21	20
SALEABLE	NOT APPLICABLE	34566-7923	0	C	BLUE	72	71	70	69	68	67	66	64	63	62	61	60	58	57	56	55	54	53			
						73				32	31	30	29	28	27	26	25	24	23	22	21	20	19	18	17	
						52	51	50	49	48	47	46	44	40	39	37	36	35	34	33						
SALEABLE	NOT APPLICABLE	34566-7933	0	A	BLACK	72	71	70	69	68	67	66	65	64	63	62	61	60	58	57	56	55	54	53		
						73				32	31	30	29	28	27	26	25	24	23	22	21	20	19	18	17	
						52	51	50	49	48	47	46	44	40	39	37	36	35	34	33						
SALEABLE	NOT APPLICABLE	34566-7943	0	B	ST GRAY	72	71	70	69	68	67	66	64	63	62	61	60	58	57	56	55	54	53			
						73				31	30	29	28	27	26	25	24	23	22	21	20	19	18	17		
						52	51	50	49	48	47	46	44	40	39	37	36	35	34	33						
SALEABLE	NOT APPLICABLE	34566-7953	0	B	ST GRAY	72	71	70	69	68	67	66	64	63	62	61	60	58	57	56	55	54	53			
						73				31	30	29	28	27	26	25	24	23	22	21	20	19	18	17		
						52	51	50	49	48	47	46	44	40	39	37	36	35	34	33						
SALEABLE	NOT APPLICABLE	34566-7963	9	A	BLACK	72	71	70	69	68	67	66	65	64	63	62	61	60	58	57	56	55	54	53		
						73				32	31	30	29	28	27	26	25	24	23	22	21	20	19	18	17	
						52	51	50	49	48	47	46	44	40	39	37	36	35	34	33						
SALEABLE	NOT APPLICABLE	34566-7973	9	B	ST GRAY	72	71	70	69	68	67	66	64	63	62	61	60	58	57	56	55	54	53			
						73				30	29	28	27	26	25	24	23	22	21	20	19	18	17			
						52	51	50	49	48	47	46	44	40	39	37	36	35	34	33						
SALEABLE	NOT APPLICABLE	34566-7983	9	B	ST GRAY	72	71	70	69	68	67	66	64	63	62	61	60	58	57	56	55	54	53			
						73				30	29	28	27	26	25	24	23	22	21	20	19	18	17			
						52	51	50	49	48	47	46	44	40	39	37	36	35	34	33						

MX123 52/66/73/80-WAY RECEPTACLE ASSY SEALED PIN OUT SHEET

STATUS	GM PART #	HRNS CONN ASSY			TPA	GROMMET CAP																																																																															
		MATERIAL/PART	WIRE DRESS OPTION	KEY OPTION Fp		COLOR OPTION Fp	NUMBERS INDICATE CAVITIES OPEN FOR CIRCUITS																																																																														
		NUMBER					Fp																																																																														
SALEABLE	NOT APPLICABLE	34566-7993	9	C	BLUE	70	69	67	66	64	61	60	57	54	52	51	50	49	48	47	46	45	44	41	40	37	34	33																																																									
						73				32	28	27	25	23	21	20	19	18	17																																																																		
						16	15	14	13	12	11	10	9	8	7	6	5	4	3	2	1																																																																
SALEABLE	NOT APPLICABLE	34566-8013	9	C	BLUE	71	70	67	65	64	61	60	59	57	54	52	51	50	48	47	45	44	41	39	37	34	33																																																										
						73				32	28	27	25	23	21	20	19	18	17																																																																		
						16	15	14	13	12	11	10	9	8	7	6	5	4	3	2	1																																																																
SALEABLE	TBD	34822-0173	9	A	BLACK	64	63	58	57	56	55	54	52	50	66	48	46	45	44	43	42	41	40	36	34	33																																																											
						65				32	31	30	29	27	26	24	23	21	20	19	18	17																																																															
						16	15	14	13	12	11	10	9	8	7	6	5	4	3	2	1																																																																
SALEABLE	NOT APPLICABLE	34566-8023	9	C	BLUE	72	71	69	68	67	66	65	64	63	62	59	58	57	56	55	54	53	52	51	50	49	48	47	46	45	44	43	42	41	40	39	38	37	36	35	34	33																																											
						73				32	31	30	29	27	26	24	23	22	21	20	19	18	17																																																														
						16	15	14	13	12	11	10	9	8	7	6	5	4	3	2	1																																																																
SALEABLE	NOT APPLICABLE	34566-8033	9	B	ST GRAY	71	70	67	66	65	64	63	62	58	57	56	54	52	51	50	49	48	47	45	44	43	42	41	40	39	38	37	36	35	34	33																																																	
						73				32	31	30	29	28	27	26	25	24	23	22	21	20	19	18	17																																																												
						16	15	14	13	12	11	10	9	8	7	6	5	4	3	2	1																																																																
SALEABLE	NOT APPLICABLE	34566-8043	9	A	BLACK	67	66	65	64	63	62	61	59	58	55	53	73	72	71	70	69	68	67	66	65	64	63	62	61	60	59	58	57	56	55	54	53	52	51	50	49	48	47	46	45	44	43	42	41	40	39	38	37	36	35	34	33																												
						73				32	31	30	29	27	26	25	24	23	22	21	20	19	18	17																																																													
						16	15	14	13	12	11	10	9	8	7	6	5	4	3	2	1																																																																
SALEABLE	NOT APPLICABLE	34566-8053	9	A	BLACK	72	71	69	68	67	66	65	64	63	62	59	58	57	56	55	54	53	52	51	50	49	48	47	46	45	44	43	42	41	40	39	38	37	36	35	34	33																																											
						73				32	31	30	29	27	26	25	24	23	22	21	20	19	18	17																																																													
						16	15	14	13	12	11	10	9	8	7	6	5	4	3	2	1																																																																
SALEABLE	NOT APPLICABLE	34566-8063	9	C	BLUE	71	70	69	68	67	66	65	64	63	62	58	57	56	55	54	53	52	51	50	49	48	47	46	45	44	43	42	41	40	39	38	37	36	35	34	33																																												
						73				32	31	30	29	28	27	26	25	24	23	22	21	20	19	18	17																																																												
						16	15	14	13	12	11	10	9	8	7	6	5	4	3	2	1																																																																
SALEABLE	NOT APPLICABLE	34566-8073	9	B	ST GRAY	69	68	67	66	65	64	63	62	59	58	57	56	55	54	53	52	51	50	49	48	47	46	45	44	43	42	41	40	39	38	37	36	35	34	33																																													
						73				32	31	30	29	27	26	25	24	23	22	21	20	19	18	17																																																													
						16	15	14	13	12	11	10	9	8	7	6	5	4	3	2	1																																																																
SALEABLE	NOT APPLICABLE	34566-8083	9	B	ST GRAY	62	61	59	58	57	56	55	54	53	52	51	50	49	48	47	46	45	44	43	42	41	40	39	38	37	36	35	34	33	32	31	30	29	28	27	26	25	24	23	22	21	20	19	18	17	16	15	14	13	12	11	10	9	8	7	6	5	4	3	2	1																			
						73				32	31	30	29	27	26	25	24	23	22	21	20	19	18	17																																																													
						16	15	14	13	12	11	10	9	8	7	6	5	4	3	2	1																																																																
SALEABLE	NOT APPLICABLE	34566-8093	9	A	BLACK	71	70	69	68	67	66	65	64	63	62	61	59	58	57	56	55	54	53	52	51	50	49	48	47	46	45	44	43	42	41	40	39	38	37	36	35	34	33																																										
						73				32	31	30	29	27	26	25	24	23	22	21	20	19	18	17																																																													
						16	15	14	13	12	11	10	9	8	7	6	5	4	3	2	1																																																																
SALEABLE	NOT APPLICABLE	34566-8113	9	C	BLUE	68	67	66	65	64	63	62	61	60	59	58	57	56	55	54	53	52	51	50	49	48	47	46	45	44	43	42	41	40	39	38	37	36	35	34	33	32	31	30	29	28	27	26	25	24	23	22	21	20	19	18	17	16	15	14	13	12	11	10	9	8	7	6	5	4	3	2	1												
						73				32	31	30	29	27	26	25	24	23	22	21	20	19	18	17																																																													
						16	15	14	13	12	11	10	9	8	7	6	5	4	3	2	1																																																																
SALEABLE	NOT APPLICABLE	34566-8123	0	G	BLUE	80	79	78	77	76	75	74	73	72	71	70	69	68	67	66	65	64	63	62	61	60	59	58	57	56	55	54	53	52	51	50	49	48	47	46	45	44	43	42	41	40	39	38	37	36	35	34	33	32	31	30	29	28	27	26	25	24	23	22	21	20	19	18	17	16	15	14	13	12	11	10	9	8	7	6	5	4	3	2	1
						73				32	31	30	29	27	26	25	24	23	22	21	20	19	18	17																																																													
						16	15	14	13	12	11	10	9	8	7	6	5	4	3	2	1																																																																
SALEABLE	NOT APPLICABLE	34566-8133	0	G	BLUE	80	79	78	77	76	75	74	73	72	71	70	69	68	67	66	65	64	63	62	61	60	59	58	57	56	55	54	53	52	51	50	49	48	47	46	45	44	43	42	41	40	39	38	37	36	35	34	33	32	31	30	29	28	27	26	25	24	23	22	21	20	19	18	17	16	15	14	13	12	11	10	9	8	7	6	5	4	3	2	1
						73				32	31	30	29	27	26	25	24	23	22	21	20	19	18	17																																																													
						16	15	14	13	12	11	10	9	8	7	6	5	4	3	2	1																																																																
SALEABLE	NOT APPLICABLE	34566-8143	0	G	BLUE	80	79	78	77	76	75	74	73	72	71	70	69	68	67	66	65	64	63	62	61	60	59	58	57	56	55	54	53	52	51	50	49	48	47	46	45	44	43	42	41	40	39	38	37	36	35	34	33	32	31	30	29	28	27	26	25	24	23	22	21	20	19	18	17	16	15	14	13	12	11	10	9	8	7	6	5	4	3	2	1
						73				32	31	30	29	27	26	25	24	23	22	21	20	19	18	17																																																													
						16	15	14	13	12	11	10	9	8	7	6	5	4	3	2	1																																																																

MX123 52/66/73/80-WAY RECEPTACLE ASSY SEALED PIN OUT SHEET

STATUS	GM PART #	HRNS CONN ASSY			TPA	GROMMET CAP																						
		MATERIAL/PART	WIRE DRESS OPTION	KEY OPTION Fp	COLOR OPTION Fp	NUMBERS INDICATE CAVITIES OPEN FOR CIRCUITS																						
		NUMBER				Fp																						
SALEABLE	NOT APPLICABLE	34566-8153	0	C	BLUE	72	71	70	69	68	67	66	65	64	63	62	61	60	59	58	57	56	55	34	33			
						52	51	50							42	41										35	18	
						73				16		14	13		28	27										3		
SALEABLE	NOT APPLICABLE	34566-8163	9	B	ST GRAY					68	67			64	63			59	58			55	54					
											47	46	45	44	43				39	38				35				
						73				32	31	30	29	28	27				23	22					19		17	
SALEABLE	NOT APPLICABLE	34566-8173	0	B	ST GRAY	72		70		68	67				63	62	61	60	59									
						52						46			43		41	40										
						73									27					22	21	20	19	18				
SALEABLE	NOT APPLICABLE	34566-8183	9	H	ST GRAY																							
SALEABLE	NOT APPLICABLE	34566-8193	0	G	BLUE		79	78	77	76	75	74			71				67		65		63					
						60	59	58	57	56	55	54		52					47		45		43					
						40		38	37				33	32	31	30	29		27	26								
SALEABLE	NOT APPLICABLE	34566-8213	0	H	ST GRAY							74	73					67		65	64	63	62	61				
													53	52									44	43	42	41		
								38					33						27		25							
SALEABLE	NOT APPLICABLE	34566-8223	9	A	BLACK	72										62	61		59		57		55					
						52	51											40				37						
						73				32			29					25						20				
SALEABLE	NOT APPLICABLE	34566-8233	9	G	BLUE				77	76	75	74	73	72		70	69	68		66	65	64	63	62	61			
										56	55		53	52						46	45		43	42				
								38	37	36	35	34			31					26				23	22	21		
SALEABLE	NOT APPLICABLE	34566-8243	9	G	BLUE	20	19			17	16	15	14	13		10			7	6		4			1			
										77		75	74	73	72		70	69	68		66	65	64	63	62	61		
										56	55		53	52						46	45		43	42				
SALEABLE	NOT APPLICABLE	34566-8253	9	G	BLUE					38																		
										77		75	74	73	72		70	69	68		66	65	64	63	62	61		
										56	55		53	52						46	45		43	42				
SALEABLE	NOT APPLICABLE	34566-8263	9	G	BLUE					38																		
										77		75	74	73	72		70	69	68		66	65	64	63	62	61		
										56	55		53	52						46	45		43	42				
SALEABLE	NOT APPLICABLE	34566-8273	9	G	BLUE					17	16	15	14	13		10			7	6		4			1			
										77		75	74	73	72		70	69	68		66	65	64	63	62	61		
										56	55		53	52						46	45		43	42				
SALEABLE	NOT APPLICABLE	34566-8283	9	G	BLUE					17	16	15	14	13		10			7	6		4			1			
										77		75	74	73	72		70	69	68		66	65	64	63	62	61		
										56	55		53	52						46	45		43	42				
SALEABLE	NOT APPLICABLE	34566-8293	9	A	BLACK	80	79	78							71				67									
						60	59	58	57			54			51	50	49	48	47				44			41		
						40	39						33	32		30	29	28	27			25	24					
SALEABLE	NOT APPLICABLE	34566-8313	9	A	BLACK			18							12	11		9	8			5		3	2			
										77		75	74	73	72		70	69	68		66	65	64	63	62	61		
										56	55		53	52						46	45		43	42				
SALEABLE	NOT APPLICABLE	34566-8283	9	G	BLUE					38																		
										77		75	74	73	72		70	69	68		66	65	64	63	62	61		
										56	55		53	52						46	45		43	42				
SALEABLE	NOT APPLICABLE	34566-8293	9	A	BLACK					17	16	15	14	13		10			7	6		4			1			
										77		75	74	73	72		70	69	68		66	65	64	63	62	61		
										56	55		53	52						46	45		43	42				
SALEABLE	NOT APPLICABLE	34566-8293	9	A	BLACK					71	70	69	68	67	66	65		63		60	59	58						
												49	48	47			44		42			39	38		36	35	34	33
						73							31			28		26		24	23	22	21		19	18	17	
SALEABLE	NOT APPLICABLE	34566-8313	9	A	BLACK																							
SALEABLE	NOT APPLICABLE	34566-8313	9	A	BLACK		71	70	69		67	66	65		63			60	59	58								
						73							31			28		26		24	23	22	21		19	18	17	

MX123 52/66/73/80-WAY RECEPTACLE ASSY SEALED PIN OUT SHEET

STATUS	GM PART #	HRNS CONN ASSY			TPA	GROMMET CAP																						
		MATERIAL/PART	WIRE DRESS OPTION	KEY OPTION Fp	COLOR OPTION Fp	NUMBERS INDICATE CAVITIES OPEN FOR CIRCUITS																						
		NUMBER				Fp																						
SALEABLE	NOT APPLICABLE	34566-8323	9	A	BLACK	71	70	69	68	67	66	65		63		60							53					
								50	49		47			44		42		39	38			36			33			
						73						31			28		26		24	23	22	21		19	18	17		
SALEABLE	NOT APPLICABLE	34566-8333	9	A	BLACK	71	70	69	68	67	66	65		63		60							53					
								50	49	48	47			44		42	41		39	38			36		33			
						73						31			28		26		24	23	22	21		19	18	17		
SALEABLE	NOT APPLICABLE	34566-8343	9	A	BLACK	71	70	69	68	67	66	65		63		60							53					
								50	49		47			44		42		39	38			36	35	34	33			
						73						31			28		26		24	23	22	21		19	18	17		
SALEABLE	NOT APPLICABLE	34566-8353	9	A	BLACK	72								64		62	61					57	56	55	54	53		
						52	51						46	45		43		41	40				37					
						73						32		30	29		27		25					20				
SALEABLE	NOT APPLICABLE	34566-8363	9	A	BLACK	72								64		62	61					57	56	55	54	53		
						52	51						46	45		43		40					37					
						73						32		30	29		27		25					20				
SALEABLE	NOT APPLICABLE	34566-8373	9	A	BLACK	72								64		62	61					57	56	55	54	53		
						52	51						46	45		43		40					37					
						73						32		30	29		27		25					20				
SALEABLE	NOT APPLICABLE	34566-8383	9	A	BLACK	72								64		62	61					57	56	55	54	53		
						52	51						46	45		43		40					37					
						73						32		30	29		27		25					20				
SALEABLE	NOT APPLICABLE	34566-8393	0	A	BLACK	72		70						64		62	61					57	56	55	54	53		
						52	51		49	48					43								36	35	34	33		
						73						31	30	29	28	27			24	23	22	21	20	19	18	17		
SALEABLE	NOT APPLICABLE	34566-8413	0	A	BLACK	72		70						64		62	61					57	56	55	54	53		
						52	51		49	48					43								36	35	34	33		
						73						31	30	29	28	27			24	23	22	21	20	19	18	17		
SALEABLE	NOT APPLICABLE	34566-8423	0	C	BLUE				69					64		62	61	60				57			54			
						52	51	50	49	48		46	45	44		42	41						37			34	33	
						73						16	15	14	13	12	11	10	9	8	7							
SALEABLE	NOT APPLICABLE	34566-8433	0	H	ST GRAY		79	78	77																61			
						20													9					5				1
SALEABLE	NOT APPLICABLE	34566-8443	0	C	BLUE		71	70									61	60	59	58	57				54			
						52	51	50		48	47		45	44			41		39	38	37					34	33	
						73						32			28	27		25		23							18	17
SALEABLE	NOT APPLICABLE	34566-8453	0	A	BLACK	72	71	70	69	68		66	65	64	63		60					57	56			54		
						52	51	50	49	48		46	45	44	43	42		40	39	38	37	36				34		
						73						32	31	30	29	28					23	22	21	20				
SALEABLE	NOT APPLICABLE	34566-8463	0	B	ST GRAY			70								62	61	60	59					55				
						52				48	47	46		44	43			41	40				38	37	36	35		
						73						16	15	14						8		6		4				1
SALEABLE	NOT APPLICABLE	34566-8473	0	C	BLUE		71	70								62	61	60				58	57		55	54		
						52	51	50	49	48	47		45	44		42	41			38	37				35	34	33	
						73						32			28	27	26	25								19	18	17

MX123 52/66/73/80-WAY RECEPTACLE ASSY SEALED PIN OUT SHEET

STATUS	GM PART #	HRNS CONN ASSY			TPA	GROMMET CAP																					
		MATERIAL/PART	WIRE DRESS OPTION	KEY OPTION Fp	COLOR OPTION Fp	NUMBERS INDICATE CAVITIES OPEN FOR CIRCUITS																					
		NUMBER				Fp																					
SALEABLE	NOT APPLICABLE	34566-8483	0	A	BLACK	72	71	70	69	68		66	65	64	63		61	60			57	56		54	53		
						52	51	50	49	48		46	45	44	43	42			40	39	38	37	36		34	33	
						73				32	31	30	29	28						23	22	21	20				2
SALEABLE	NOT APPLICABLE	34566-8493	0	B	ST GRAY	72		70		68	67					62	61	60	59				55				
						52				48	47	46		44	43			40									33
						73						30									22	21	20	19	18	17	
SALEABLE	NOT APPLICABLE	34566-8513	9	A	BLACK	72	71	70	69	68		66	65	64	63		61	60			57	56		54	53		
						52	51	50	49	48		46	45	44	43			40	39	38	37	36		34	33		
						73				32	31	30	29	28					24	23	22						
SALEABLE	NOT APPLICABLE	34566-8523	9	B	ST GRAY	72		70		68						62	61						55				
						52				48	47	46			43			40									
						73						30									22	21	20	19	18	17	
SALEABLE	NOT APPLICABLE	34566-8533	9	C	BLUE			70		67	66	65	64			61	60			57			54				
						52	51	50	49	48	47		45	44			41				37				34	33	
						73				32				28	27		25										18
SALEABLE	NOT APPLICABLE	34566-8543	9	C	BLUE		71		69		67	66	65	64			61	60			57		54				
						52	51	50	49	48	47	46	45	44						37					34	33	
						73				32				28	27												
SALEABLE	NOT APPLICABLE	34566-8553	0	B	ST GRAY					67	66	65	64			61	60			57			54				
						52	51	50	49	48	47	46	45	44												34	33
						73				32				28	27												
SALEABLE	NOT APPLICABLE	34566-8563	0	A	BLACK	72		70		68						62	61	60	59				55				
						52				48	47	46			43			41	40								
						73				16	15	14								8		6		4			
SALEABLE	NOT APPLICABLE	34566-8573	0	B	ST GRAY	72	71	70	69	68	67	66	65	64	63		61	60	59		57	56	55				
						52	51	50	49	48	47	46	45	44	43		41	40	39	38	37	36	35			33	
						73				32	31	30	29	28				26		24	23	22	21	20	19		
SALEABLE	NOT APPLICABLE	34566-8583	0	C	BLUE	72	71	70	69		67	66	65	64			60				56		54				
						52	51	50	49		47	46	45	44			40	39	38						34		
						73					31	30		28		26	25	24	23	22	21						17
SALEABLE	NOT APPLICABLE	34566-8593	0	B	ST GRAY	72				68						62	61	60	59				55				
						52				48	47	46			43			41	40			38	37	36	35		
						73						30									22	21	20	19	18		
SALEABLE	TBD	34822-0183	0	A	BLACK	64	63	62	61	60	59					54	53		51		49	66					
																		38	37		35		33				
						65					15	14	13							8	7			4	3	2	1
SALEABLE	TBD	34822-0193	0	A	BLACK	64	63								54	53		51		49	66						
																		38	37		35		33				
						65								28					24	23		21	20	19	18	17	
SALEABLE	TBD	34822-0203	0	A	BLACK					60	59					54	53		51		49	66					
																		38	37		35		33				
						65					31			28					24	23	22	21	20	19	18	17	
SALEABLE	TBD	34822-0213	0	A	BLACK	64	63	62	61	60	59					54	53		51		49	66					
																		38	37		35		33				
						65					31								24	23	22	21	20	19	18	17	

MX123 52/66/73/80-WAY RECEPTACLE ASSY SEALED PIN OUT SHEET

STATUS	GM PART #	HRNS CONN ASSY			TPA	GROMMET CAP																						
		MATERIAL/PART	WIRE DRESS OPTION	KEY OPTION Fp	COLOR OPTION Fp	NUMBERS INDICATE CAVITIES OPEN FOR CIRCUITS																						
		NUMBER				Fp																						
SALEABLE	NOT APPLICABLE	34566-8613	0	C	BLUE	52	71	70			67	66	65	64			61	60	59	58	57			54				
										48	47			45	44			41	40	39	38	37				34	33	
						73				32				28	27			25		23							18	17
SALEABLE	NOT APPLICABLE	34566-8623	9	C	BLUE					68			65		63	62	61		59	58	57	56	55		53			
										48			45		43	42	41					37	36	35	34	33		
						73				32	31													20	19	18		
SALEABLE	NOT APPLICABLE	34566-8633	0	B	ST GRAY	72										62	61											
						52				48	47	46			43			40										
						73							30									22	21	20	19	18	17	
SALEABLE	NOT APPLICABLE	34566-8643	0	C	BLUE		71	70			67	66		64			61	60			57			54				
						52	51	50	49	48			45	44			41			37						34	33	
						73				32				28	27			25									18	17
SALEABLE	NOT APPLICABLE	34566-8653	9	C	BLUE		71			69		67	66	65	64	63		61	60			57						
						52	51	50		48	47	46	45		43		41			37						34	33	
						73								28	27			25										
SALEABLE	NOT APPLICABLE	34566-8663	0	B	ST GRAY	72	71	70	69					64	63		61	60			58	57	56	55				
						52	51	50	49					43								38	37	36			33	
						73				32			30	29	28		26	25	24	23	22	21	20					
SALEABLE	NOT APPLICABLE	34822-0223	0	A	BLACK	64	63	62	61	60	59					54	53		51		49	66						
														38	37		35		33									
						65					31			28				24	23	22	21	20	19	18	17			
SALEABLE	NOT APPLICABLE	34566-8673	0	F	NATURAL	72		70		68	67	66			63	62			59		57				53			
						52	51		49	48	47	46		44			41	40	39		37	36	35	34	33			
						73						30			27	26	25	24		22	21	20						
SALEABLE	NOT APPLICABLE	34566-8683	0	B	ST GRAY	72		70		68	67	66			63	62			59		57				53			
						52	51		49	48	47	46		44			41	40	39		37	36	35	34	33			
						73				32			30			27	26	25	24		22	21	20					
SALEABLE	NOT APPLICABLE	34566-8693	0	A	BLACK					68	67	66			63	62			59		57				53			
						52	51		49	48	47	46		44			41	40	39		37	36	35	34	33			
						73				32			30			27	26	25	24		22	21	20					
SALEABLE	NOT APPLICABLE	34566-8713	9	B	ST GRAY	72	71	70	69					64	63			61	60			58	57	56	55			
						52	51	50	49					43								38	37	36			33	
						73				32			30	29	28		26	25	24	23	22	21	20					
SALEABLE	NOT APPLICABLE	34566-8723	0	C	BLUE		71	70				66		64			61	60			57				54			
						52	51	50	49	48			45	44			41			37						34	33	
						73				32				28	27			25									18	17
SALEABLE	NOT APPLICABLE	34566-8733	0	A	BLACK	72	71	70	69	68		66	65	64	63			60			57	56			54			
						52	51	50	49	48		46	45	44	43	42		40	39	38	37	36				34		
						73				32	31	30	29	28					23	22	21	20						
SALEABLE	NOT APPLICABLE	34566-8743	0	C	BLUE					67	66		64											54				
						52	51	50	49		47	46		44					39	38								
						73						30	29	28	27	26	25	24	23	22	21							17
SALEABLE	NOT APPLICABLE	34566-8753	0	B	ST GRAY	72	71	70	69	68	67	66	65	64	63		61	60			58	57	56	55	54	53		
						52	51	50	49	48	47	46	45	44	43			40				37	36	35	34	33		
						73				32			30	29	28		26	25	24			21		19				

MX123 52/66/73/80-WAY RECEPTACLE ASSY SEALED PIN OUT SHEET

STATUS	GM PART #	HRNS CONN ASSY			TPA	GROMMET CAP																					
		MATERIAL/PART	WIRE DRESS OPTION	KEY OPTION Fp	COLOR OPTION Fp	NUMBERS INDICATE CAVITIES OPEN FOR CIRCUITS																					
		NUMBER				Fp																					
SALEABLE	NOT APPLICABLE	34566-8763	0	A	BLACK	72	71	70				67	66						59	58	57	56	55	54	53		
						52	51	50				47	46							39		37	36	35		18	17
						73			32	31	30	29	28	27	26					8	7					3	2
SALEABLE	12672857	34822-0243	9	A	BLACK	64	63	62	61	60	59					54	53		51		49	66					
							47								38	37		35		33							
						65							28				25	24		22	21	20	19	18	17		
SALEABLE	NOT APPLICABLE	34822-0253	0	A	BLACK		63	62	61	60	59					54	53		51		49	66					
															38	37		35		33							
						65							28				25	24		22	21	20	19	18	17		
SALEABLE	NOT APPLICABLE	34822-0263	9	C	BLUE	64	63	62		60	59					54	53		51		49	66					
						48	47	46	45						39		37	36	35	34	33						
						65			32	30	29	28	27	26	25	24	23	22	21							19	18
SALEABLE	NOT APPLICABLE	34822-0273	9	A	BLACK	64	63									54	53		51		49	66					
							47								38	37		35		33							
						65							28							22		20	19	18	17		
SALEABLE	NOT APPLICABLE	34822-0283	0	A	BLACK				61	60	59				56	55				51		49	66				
						65			32																		
SALEABLE	NOT APPLICABLE	34822-0293	0	A	BLACK	64	63									54	53		51		49	66					
							47								38	37		35		33							
						65							28							22		20	19	18	17		
SALEABLE	NOT APPLICABLE	34566-8773	9	B	ST GRAY	72		70		68						62	61	60	59					55			
						52				48	47	46						43			40						
						73															22	21	20	19	18	17	
SALEABLE	NOT APPLICABLE	34566-8783	9	A	BLACK	72	71	70	69	68			66	65	64	63		61	60			57	56		54	53	
						52	51	50	49	48			46	45	44	43			40	39	38	37	36		34	33	
						73			32	31	30	29	28							23	22	21					
SALEABLE	NOT APPLICABLE	34566-8793	9	C	BLUE		71	70			67	66	65				61	60			57			54			
						52	51	50	49	48	47		45	44			41			37					34	33	
						73			32				28	27		25										18	17
SALEABLE	NOT APPLICABLE	34566-8813	9	B	ST GRAY	72	71	70	69	68	67			65	64	63		61	60	59		57	56	55	54	53	
						52	51	50	49	48	47	46	45	44	43	42			40	39			36	35	34	33	
						73			32	31	30	29	28	27	26	25	24	23	22	21							
SALEABLE	NOT APPLICABLE	34566-8823	9	C	BLUE			70	69		67	66		64				60						54			
						52	51	50	49		47	46		44				40	39								
						73							28	27	26	25	24	23	22	21							
SALEABLE	NOT APPLICABLE	34566-8833	9	C	BLUE	72		70		68	67	66			63	62			59		57			54	53		
						52	51		49	48	47	46		44			41	40	39		37	36	35	34	33		
						73			32		30			27	26	25	24		22	21	20						
SALEABLE	NOT APPLICABLE	34566-8843	0	C	BLUE			70	69		67	66		64										54			
						52	51	50	49		47	46		44			41		39	38							
						73							28	27	26	25	24	23	22	21							
SALEABLE	NOT APPLICABLE	34566-8853	0	B	ST GRAY	72				68	67				63	62	61	60	59					55			
						52				48	47	46		44	43		41	40		38	37	36	35				
						73							28	27						22	21	20	19	18			

MX123 52/66/73/80-WAY RECEPTACLE ASSY SEALED PIN OUT SHEET

STATUS	GM PART #	HRNS CONN ASSY			TPA	GROMMET CAP																							
		MATERIAL/PART	WIRE DRESS OPTION	KEY OPTION Fp	COLOR OPTION Fp	NUMBERS INDICATE CAVITIES OPEN FOR CIRCUITS																							
		NUMBER				Fp																							
SALEABLE	NOT APPLICABLE	34566-9143	9	F	NATURAL	72	71	70			67	66	65	64	63	62	61	60	59			56	55	54	53				
						52	51	50	49	48	47	46	45	44										36	35	34			
						73				32	31		29	28	27	26	25	24	23	22	21	20							
SALEABLE	NOT APPLICABLE	34566-9153	9	B	ST GRY						66																		
																41							38	37					
						73																		20	19	18	17		
SALEABLE	NOT APPLICABLE	34566-9163	9	B	ST GRY					68	67	66	65			62		60	59										
										48	47	46	45	44		42	41	40	39						35	34			
						73					31				27											19	18	17	
SALEABLE	NOT APPLICABLE	34566-9173	0	B	ST GRY								65			62				58									
																41							38	37					
						73																			5			19	18
SALEABLE	NOT APPLICABLE	34822-0363	9	C	BLUE				61				58																
										44	43		41	40		38													
						65					31															20			
SALEABLE	NOT APPLICABLE	34822-0373	9	A	BLACK	64	63	62	61	60						55			52	51			49						
						48	47	46	45							38													
						65				32		30	29		27												22	21	20
SALEABLE	NOT APPLICABLE	34822-0383	9	A	BLACK	64	63	62	61	60			57					52	51			49							
						48	47	46	45					40															
						65				32		30	29		27												22	21	20
SALEABLE	NOT APPLICABLE	34822-0393	0	A	BLACK	64	63	62	61	60			57					52	51			49							
						48	47	46	45							38													
						65				32		30	29		27												22	21	20
SALEABLE	NOT APPLICABLE	34822-0403	9	A	BLACK	64	63									54	53		51			49							
															38	37		35											
						65					31			28													22		20
SALEABLE	NOT APPLICABLE	34822-0413	0	A	BLACK	64	63									54	53		51			49							
															38	37		35											
						65								28													22		20
SALEABLE	NOT APPLICABLE	34822-0423	9	A	BLACK										59	58	57	56		54	53		50						
										44	43	42	41	40	39		37	36	35	34	33								
						65					31			28		26	25	24	23										
SALEABLE	NOT APPLICABLE	34566-9183	9	B	ST GRY	72	71	70	69	68	67		65	64	63	62	61	60	59		57	56	55	54	53				
						52	51	50	49	48	47	46	45	44	43	42		40	39										
						73				32	31	30	29	28	27	26	25	24	23	22	21								
SALEABLE	NOT APPLICABLE	34566-9193	9	F	NATURAL				69	68											58	57							
						73							30																
SALEABLE	NOT APPLICABLE	34822-0433	0	A	BLACK	64	63	62		60	59		57	56	55	54	53	52	51	50	49								
						48	47	46	45				42			39		37	36	35	34	33							
						65				32		30	29	28	27	26	25	24	23	22	21							20	19
SALEABLE	NOT APPLICABLE	34822-0443	0	A	BLACK	64	63	62		60	59		57	56	55	54	53	52	51	50	49								
						48	47	46	45				42			39		37	36	35	34	33							
						65				32	31	30	29	28	27	26	25	24	23	22	21							20	19

MX123 52/66/73/80-WAY RECEPTACLE ASSY SEALED PIN OUT SHEET

STATUS	GM PART #	HRNS CONN ASSY			TPA	GROMMET CAP																							
		MATERIAL/PART	WIRE DRESS OPTION	KEY OPTION △ Fp	COLOR OPTION △ Fp	NUMBERS INDICATE CAVITIES OPEN FOR CIRCUITS																							
		NUMBER				△ Fp																							
SALEABLE	NOT APPLICABLE	34822-0453	0	A	BLACK						59	58	57	56		54	53			50			66						
									44	43	42	41	40	39		26	25	24	23										
						65																							
SALEABLE	NOT APPLICABLE	34566-9213	0	B	ST GRAY						68	67	66	65	64					59	58	57		55	54	53			
							51	50	49	48		46	45		43	42	41	40	39	38	37		35						
						73																							
SALEABLE	NOT APPLICABLE	34566-9223	9	B	ST GRAY																								
									72																				
						73																							
SALEABLE	NOT APPLICABLE	34566-9233	9	C	BLUE																								
							71																						
						73																							
SALEABLE	NOT APPLICABLE	34566-9243	9	B	ST GRAY																								
							72	71	70	69																			
						73																							
SALEABLE	NOT APPLICABLE	34566-9253	9	B	ST GRAY																								
							72	71	70	69																			
						73																							
SALEABLE	NOT APPLICABLE	34566-9263	9	B	ST GRAY																								
							72																						
						73																							
SALEABLE	NOT APPLICABLE	34822-0463	0	A	BLACK																								
							64	63	62																				
						65																							
SALEABLE	NOT APPLICABLE	34822-0473	9	C	BLUE																								
							64	63	62																				
						65																							
SALEABLE	NOT APPLICABLE	34822-0483	9	A	BLACK																								
							64	63																					
						65																							
SALEABLE	NOT APPLICABLE	34566-9273	9	B	ST GRAY																								
							72	71	70	69																			
						73																							
SALEABLE	NOT APPLICABLE	34822-0493	0	C	BLUE																								
							64	63	62																				
						65																							
SALEABLE	NOT APPLICABLE	34566-9283	9	G	BLUE																								
							80	79	78																				
						73																							
SALEABLE	NOT APPLICABLE	34566-9293	9	G	BLUE																								
							80	79	78																				
						73																							
SALEABLE	NOT APPLICABLE	34566-9313	9	A	BLACK																								
							72																						
						73																							

MX123 52/66/73/80-WAY RECEPTACLE ASSY SEALED PIN OUT SHEET

STATUS	GM PART #	HRNS CONN ASSY			TPA	GROMMET CAP																							
		MATERIAL/PART	WIRE DRESS OPTION	KEY OPTION Fp	COLOR OPTION Fp	NUMBERS INDICATE CAVITIES OPEN FOR CIRCUITS																							
		NUMBER				Fp																							
SALEABLE	NOT APPLICABLE	34566-9323	9	A	BLACK	72									64		62	61		59	58	57	56	55	54	53			
						52	51			48		46	45		43		41	40							37		35	34	
						73				32		30	29		27		25										20		
SALEABLE	NOT APPLICABLE	34566-9333	9	A	BLACK	72									64		62	61		59	58	57	56	55	54	53			
						52	51			48		46	45		43		41	40							37		35	34	
						73				32		30	29		27		25										20		
SALEABLE	NOT APPLICABLE	34566-9343	9	C	BLUE	72		70	69	68		66				64		62	61		59	58	57	56	55	54	53		
									49			46				43	42		40						38		36	35	
						73						31	30	29				26		24						22	21	20	19
SALEABLE	NOT APPLICABLE	34822-0503	0	A	BLACK	64		62	61	60	59	58					54	53		51							66		
						48	47									38	37	36		34									
						65						30	29	28				26		24						21			
SALEABLE	NOT APPLICABLE	34822-0513	9	A	BLACK		63	62	61		59					54	53							49			66		
																38	37		35							33			
						65						31		28				24		22	21	20	19	18	17				
SALEABLE	NOT APPLICABLE	34566-9353	9	A	BLACK	72									64		62	61		59	58	57	56	55	54	53			
						52	51			48		46	45		43		41	40							37		35	34	
						73				32		30	29		27		25										20		
SALEABLE	NOT APPLICABLE	34566-9363	9	A	BLACK	72									64		62	61		59	58	57	56	55	54	53			
						52	51					46	45		43			40							37		35	34	
						73				32		30	29		27		25										20		
SALEABLE	NOT APPLICABLE	34566-9373	9	G	BLUE	80																							
							59		57									49											
							39											30											
SALEABLE	NOT APPLICABLE	34566-9383	9	A	BLACK	72	71	70	69	68					64	63	62	61		59	58	57	56	55	54	53			
						52	51	50		48	47	46	45	44	43		41	40	39	38	37					35	34	33	
						73				32		30	29		27	26	25	24									20	19	18
SALEABLE	NOT APPLICABLE	34566-9393	0	B	ST GRAY	72	71	70	69	68	67		65	64	63		61	60	59		57	56	55	54	53	52			
						52	51	50	49	48	47	46	45	44	43	42		40	39						36	35	34	33	
						73				32	31	30	29	28	27	26	25	24	23	22	21	20							
SALEABLE	NOT APPLICABLE	34566-9413	9	H	ST GRAY																								
SALEABLE	NOT APPLICABLE	34566-9423	0	A	BLACK	72	71	70			67	66									58	57	56	55	54	53			
						52	51	50			47	46													37	36	35	34	33
						73				32	31	30	29	28	27	26													18
SALEABLE	NOT APPLICABLE	34566-9433	0	B	ST GRAY	72	71	70	69	68	67	66	65	64	63		61		59		57	56	55	54	53	52			
						52	51	50	49	48	47	46	45	44				40	39						37	36	35	34	33
						73						30	29	28	27	26	25	24								21			
SALEABLE	NOT APPLICABLE	34566-9443	9	B	ST GRAY	72	71	70	69	68	67		65	64	63	62	61	60	59		57	56	55	54	53	52			
								50	49	48	47	46		44	43	42		40	39						36	35	34	33	
						73				32	31	30	29	28	27	26	25	24	23	22	21								
SALEABLE	NOT APPLICABLE	34566-9453	0	A	BLACK	72	71	70	69		67			64			61	60	59		57	56	55	54	53	52			
						52	51			48			45	44			41	40	39	38	37	36	35	34					
						73						31	30	29		27	26	25		22							19	18	

MX123 52/66/73/80-WAY RECEPTACLE ASSY SEALED PIN OUT SHEET

STATUS	GM PART #	HRNS CONN ASSY			TPA	GROMMET CAP																					
		MATERIAL/PART	WIRE DRESS OPTION	KEY OPTION Fp	COLOR OPTION Fp	NUMBERS INDICATE CAVITIES OPEN FOR CIRCUITS																					
		NUMBER				Fp																					
SALEABLE	NOT APPLICABLE	34566-9633	9	B	ST GRY	72	71	70	69	68	67		65	64	63		61	60	59		57	56	55	54	53		
						52	51	50	49	48	47	46	45	44	43	42		40	39				36	35	34	33	
						73				32	31	30	29	28	27	26	25	24	23	22	21	20				3	2
SALEABLE	NOT APPLICABLE	34566-9643	9	A	BLACK				69					64	63		61		59								
						52				48				44	43		41		39	38				35	34		
						73						30	29							10						5	
SALEABLE	NOT APPLICABLE	34566-9653	9	G	BLUE	80													66	65							
							59		57																		
							39									30											
SALEABLE	NOT APPLICABLE	34566-9663	0	B	ST GRY	72	71	70	69	68	67	66	65	64	63		61				58	57	56	55	54	53	
						52	51	50	49	48	47	46	45	44				40					37	36	35	34	33
						73				32		30	29	28		26	25	24			21						
SALEABLE	NOT APPLICABLE	34822-0533	9	C	BLUE	64	63			60	59		57	56	55		53	52	51	50	49	66					
						48	47	46	45			42			39	38		36	35	34	33						
						65				32		30	29	28	27	26	25	24	23	22			20			18	17
SALEABLE	NOT APPLICABLE	34822-0543	0	A	BLACK	64	63	62	61	60	59					54	53		51		49	66					
							47								38	37		35			33						
						65								28			25	24		22	21	20	19	18	17		
SALEABLE	NOT APPLICABLE	34822-0553	0	A	BLACK	64	63								54	53		51		49	66						
														38	37		35		33								
						65					31			28				24	23		21	20	19	18	17		
SALEABLE	NOT APPLICABLE	34822-0563	0	C	BLUE	64	63	62		60	59		57	56	55	54	53	52	51	50	49	66					
						48	47	46	45			42			39		37	36	35	34	33						
						65				32		30	29	28	27	26		24	23	22				19	18	17	
SALEABLE	NOT APPLICABLE	34566-9673	0	C	BLUE	72	71	70	69		67	66	65	64				60			56			54			
						52	51	50	49		47	46	45	44				40	39	38					34		
						73					31	30		28		26	25	24	23	22	21	20					17
SALEABLE	NOT APPLICABLE	34566-9683	0	B	ST GRY	72	71	70	69	68	67	66	65	64	63		61	60			57	56	55	54			
						52	51	50	49	48	47	46	45	44	43		41	40			38	37	36	35		33	
						73				32	31	30	29	28		26		24	23	22	21	20	19				17
SALEABLE	NOT APPLICABLE	34566-9693	0	A	BLACK	72		70			67					63											
						52	51			48	47				43	42		40	39	38	37	36	35			33	
						73								28												18	17
SALEABLE	NOT APPLICABLE	34566-9713	0	B	ST GRY					68	67	66	65	64					59	58	57		55	54	53		
							51	50	49	48		46	45		43	42		40	39	38	37			35		33	
						73				32	31	30				26		24	23	22		20					
SALEABLE	NOT APPLICABLE	34566-9723	0	B	ST GRY																						
							51	50	49	48	47	46	45		43			40			37	36					
						73				32		30	29	28		26	25	24			21			19			
SALEABLE	NOT APPLICABLE	34566-9733	0	A	BLACK	72	71	70			67	66						59							53		
						52	51	50			47	46						39			37			35		33	
						73						30	29	28	27	26				21							17
SALEABLE	NOT APPLICABLE	34822-0573	0	A	BLACK	64	63									54	53		51		49	66					
															38	37		35		33							
						65								28				24		22		20	19	18	17		

MX123 52/66/73/80-WAY RECEPTACLE ASSY SEALED PIN OUT SHEET

STATUS	GM PART #	HRNS CONN ASSY			TPA	GROMMET CAP																					
		MATERIAL/PART	WIRE DRESS OPTION	KEY OPTION Fp	COLOR OPTION Fp	NUMBERS INDICATE CAVITIES OPEN FOR CIRCUITS																					
		NUMBER				Fp																					
SALEABLE	NOT APPLICABLE	34822-0653	0	A	BLACK	64	63	62	61		59					54	53			49	66						
											31			28				24		22	21	20	19	18	17		
						65					15	14	13	12				8	7				4	3	2	1	
SALEABLE	NOT APPLICABLE	34566-9833	9	B	ST GRY	72	71	70	69	68	67			64	63		61		58	57	56	55	54	53			
						52	51	50	49	48	47			44	43		41		38	37	36				33		
						73					32		30	29	28		26	25	24	23	22	21	20				
SALEABLE	NOT APPLICABLE	34566-9843	9	A	BLACK	72	71	70			67	66	65	64	63	62	61		59				55	54	53		
						52	51	50			47	46	45	44	43	42	41	40	39		37	36	35	34	33		
						73							30	29											18	17	
SALEABLE	NOT APPLICABLE	34566-9853	9	B	ST GRY	72	71	70	69	68	67		65	64	63	62	61	60	59	58	57	56	55	54	53		
						52	51	50	49	48	47	46	45	44	43	42		40	39			36	35	34	33		
						73					32	31	30	29	28	27	26	25	24	23	22	21	20				
SALEABLE	NOT APPLICABLE	34566-9863	0	B	ST GRY	72	71	70	69	68	67		65	64	63	62	61	60	59		57	56	55	54	53		
						52	51	50	49	48	47	46	45	44	43	42		40	39			36	35	34	33		
						73					32	31	30	29	28	27	26	25	24	23	22	21					
SALEABLE	NOT APPLICABLE	34566-0004	0	A	BLACK	72	71	70	69		67			64	63		61	60	59		57	56	55	54	53		
						52	51			48			45	44	43		41	40	39	38	37	36	35	34	33		
						73					31	30	29		27	26	25		22				19	18			
SALEABLE	NOT APPLICABLE	34566-0014	0	G	BLUE	80	79	78	77		75								66	65	64		62				
							59		57											46			43	42	41		
							39	38	37		35		33	32		30				26	25	24		22	21		
SALEABLE	NOT APPLICABLE	34566-0024	0	G	BLUE	20		18	17	16	15			12				8	7	6	5		3	2	1		
SALEABLE	NOT APPLICABLE	34566-0034	0	G	BLUE	80	79	78			75								66	65	64		62				
							59		57				53							46			43	42	41		
							39	38	37		35		33	32		30				26	25	24		22	21		
SALEABLE	NOT APPLICABLE	34566-0044	0	A	BLACK	72	71	70	69		67			64			61	60	59		57	56	55	54	53		
						52	51			48			45	44			41	40	39	38	37	36	35	34	33		
						73					31	30	29		27	26	25		22				19	18			
SALEABLE	NOT APPLICABLE	34566-0054	0	G	BLUE	80	79	78	77		75								66	65	64		62				
							59		57											46			43	42	41		
							39	38	37		35		33			30				26	25	24		22	21		
SALEABLE	NOT APPLICABLE	34566-0064	0	A	BLACK	72	71	70	69		67			64	63		61	60	59		57	56	55	54	53		
						52	51			48			45	44	43		41	40	39	38	37	36	35	34			
						73					31	30	29		27	26	25		22				19	18			
SALEABLE	NOT APPLICABLE	34566-0084	0	A	BLACK			70	69		67			64			61	60	59		57	56	55	54	53		
						52	51			48			45	44			41	40	39	38	37	36	35	34	33		
						73					31	30	29		27	26	25		22				19				
SALEABLE	NOT APPLICABLE	34566-0094	0	B	ST GRY	72	71	70	69	68	67		65	64	63	62	61	60	59		57	56	55	54	53		
						52	51	50	49	48	47	46	45	44	43	42		40	39			36	35	34	33		
						73					32	31	30	29	28	27	26	25	24	23	22	21					
SALEABLE	NOT APPLICABLE	34566-0104	0	B	ST GRY	72	71	70	69	68	67		65	64	63	62	61	60	59		57	56	55	54	53		
								50	49	48	47	46		44	43	42		40	39			36	35	34	33		
						73					32	31	30	29	28	27	26	25	24	23	22	21					
SALEABLE	NOT APPLICABLE	34566-0104	0	B	ST GRY																						
						73					16	15	14	13	12	11	10	9		7	6			4	3	2	

