

SWINGHANDLE

708

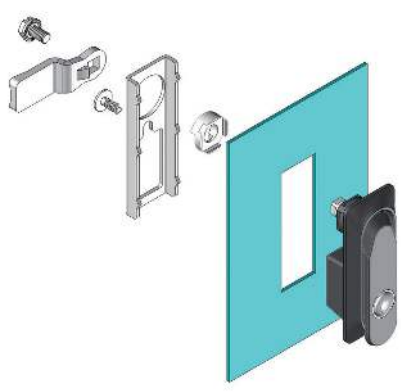
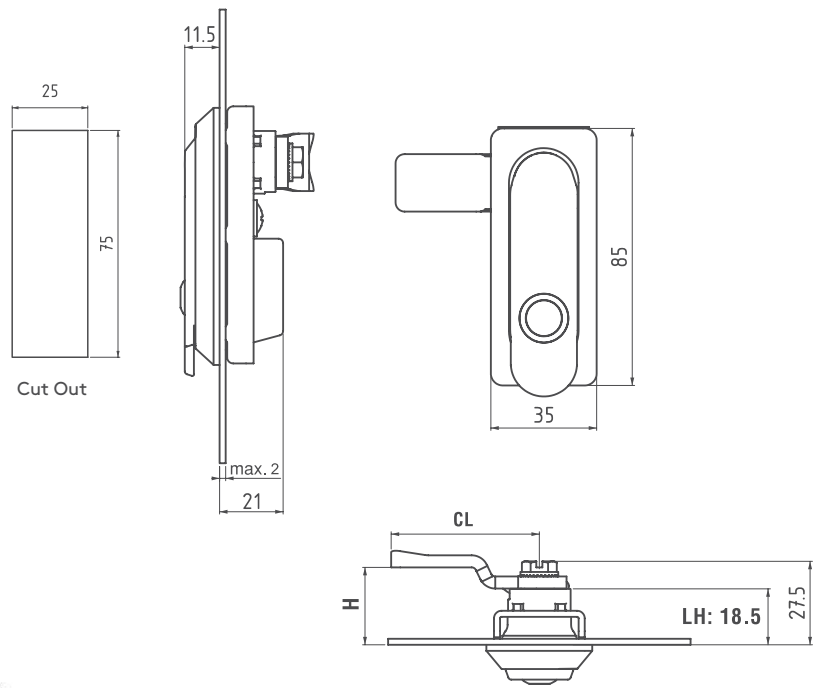


-
- LH/RH**
-
- RoHS**
-

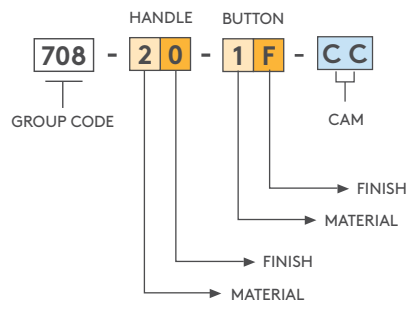
- Can be used for internal applications
- Lock can be opened by pressing the button
- 25 X 75 mm cut out

APPLICATIONS
Electric panels, machinery covers, rack cabinets

MATERIAL
BODY: Polyamide DIN-EN ISO 1043-1 PA6 GFR 30
HANDLE: Polyamide DIN-EN ISO 1043-1 PA6 GFR 30
BUTTON: Zamak DIN-EN 1774-ZnAl4Cu1
CAM: Steel
SEAL: Rubber



PRODUCT CODE



MATERIAL	M	FINISH	F
Zamak	1	Chrome	1
		Black coated	2
Plastic	2	No finish	0

For cams please check pages: 144 - 145