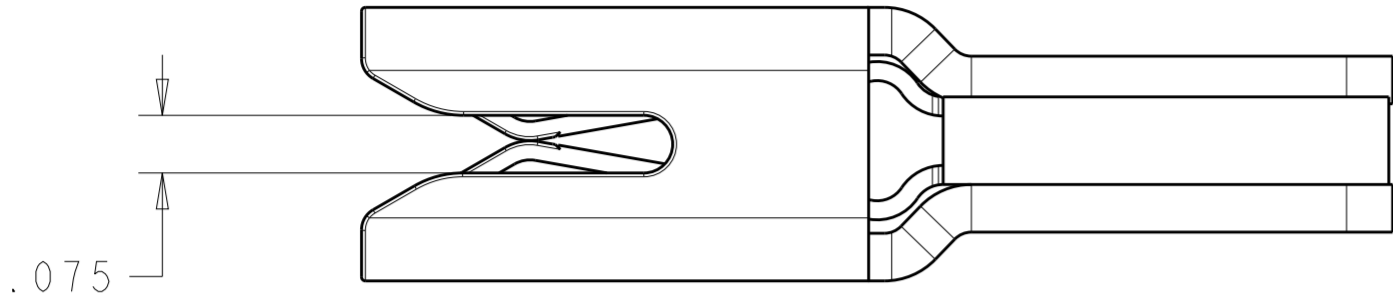
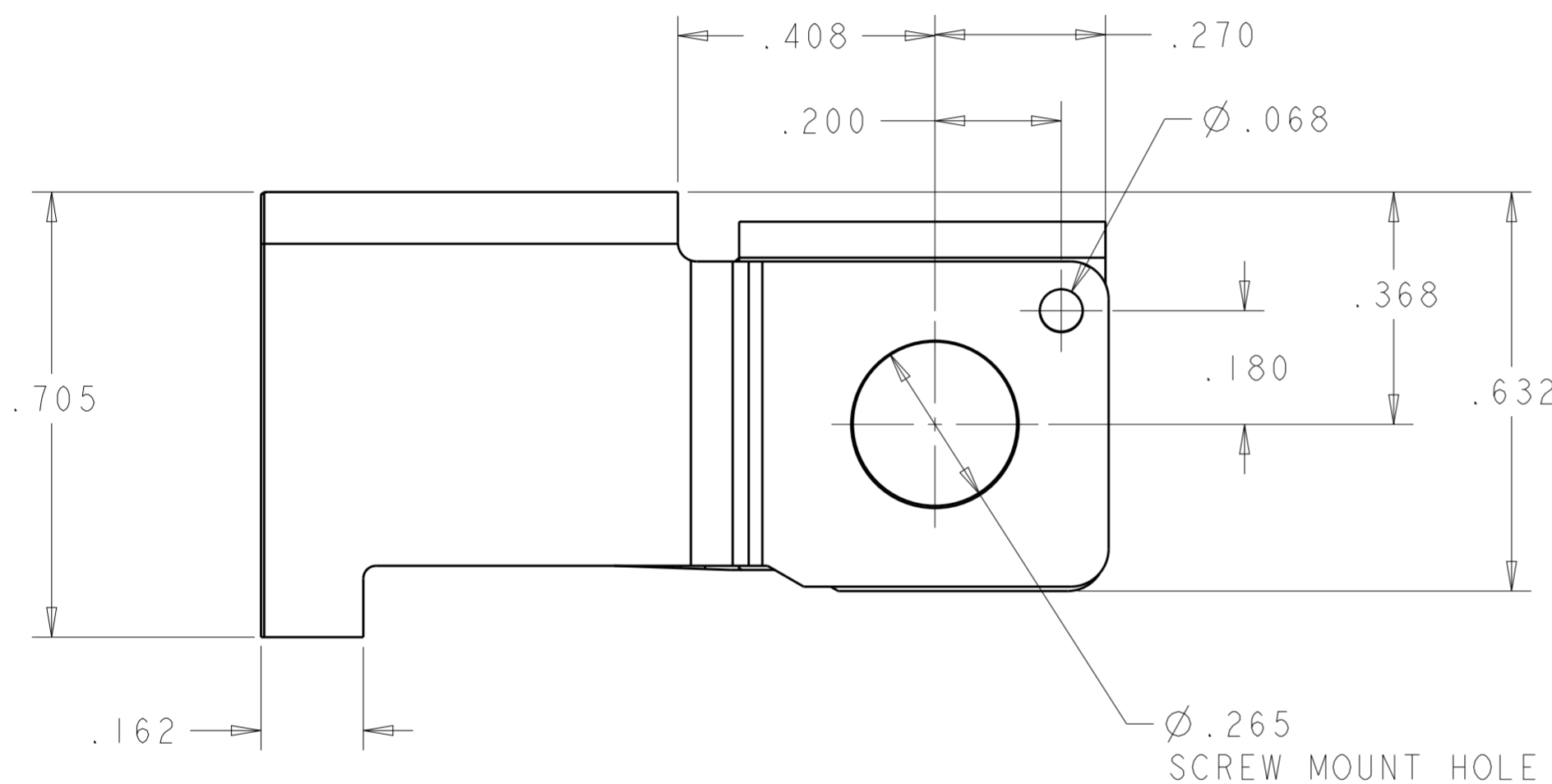


THIS DRAWING IS UNPUBLISHED. RELEASED FOR PUBLICATION 20
 © COPYRIGHT 20 ALL RIGHTS RESERVED.

LOC	DIST	REVISIONS					
GP	00	P	LTR	DESCRIPTION	DATE	DWN	APVD
			J1	REV PER ECO-15-004265	12JUL2016	ML	SZ

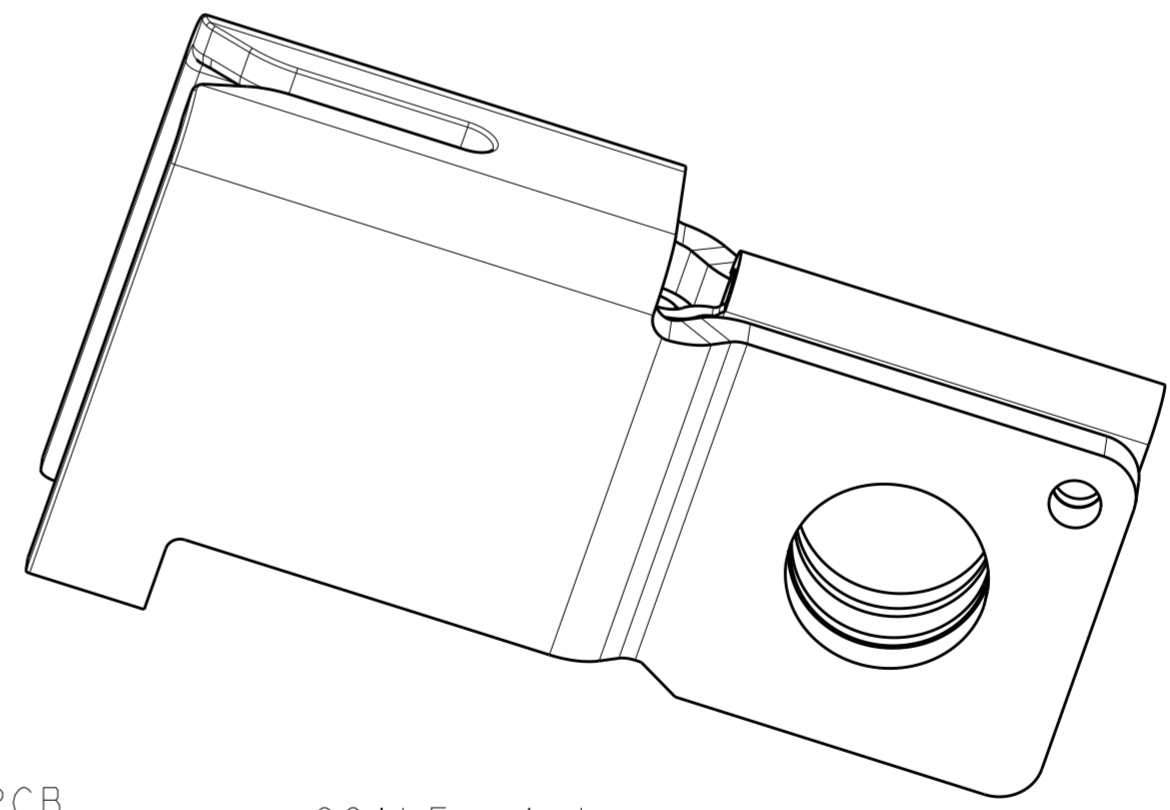
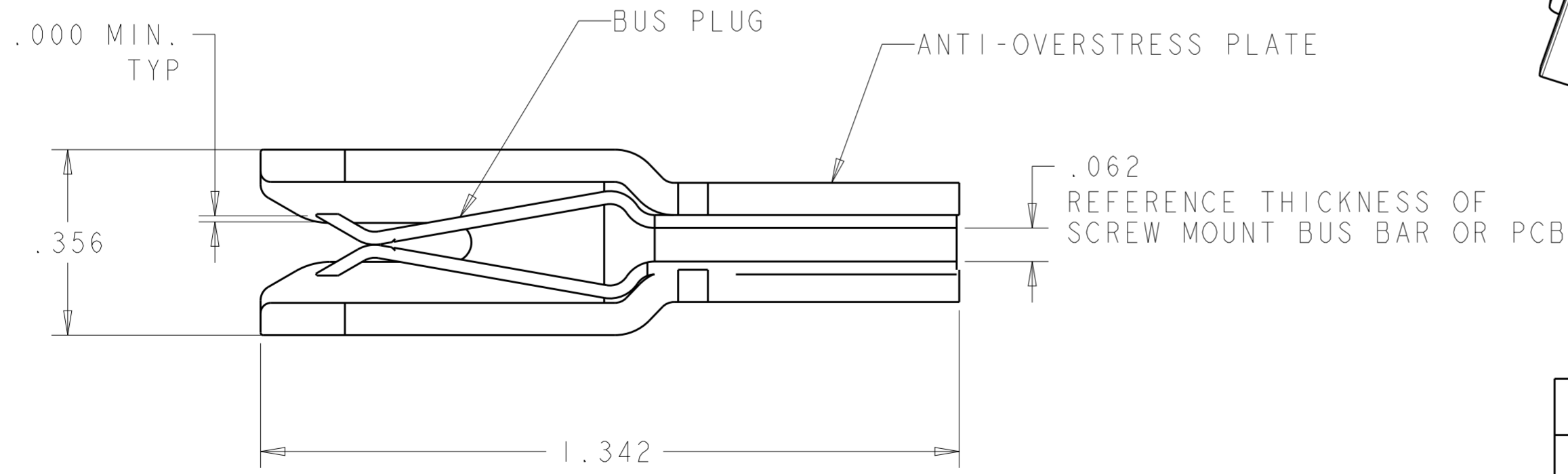


- 1. COMPONENTS UNASSEMBLED IN A SEALED POLY BAG.
- 2 MATERIAL:
ANTI-OVERSTRESS PLATE - STAINLESS STEEL/IRON.
BUS PLUG - HIGH CONNECTIVITY COPPER ALLOY
- 3 FINISH:
SILVER PLATING OVER NICKEL PLATING ON CONTACT.



- 4 MATERIAL:
ANTI-OVERSTRESS PLATE - THERMOPLASTIC, BLACK, UL94V-0
BUS PLUG - HIGH CONNECTIVITY COPPER ALLOY
- 5. ITEMS PROVIDED TO THIS SPECIFICATION TO BE PERMANENTLY IDENTIFIED ON THE CONTAINER PER THE FOLLOWING IDENTIFIER LABEL:

TE CONNECTIVITY P/N: XXXXXXXX-X
 DATE CODE (e.g. 0106): YEAR 1 WEEK 1
 XXXX



SCALE 4:1

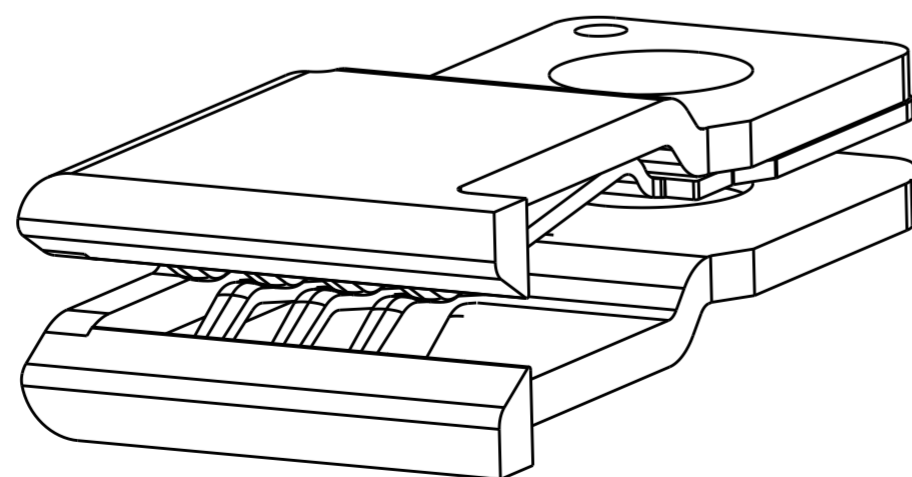
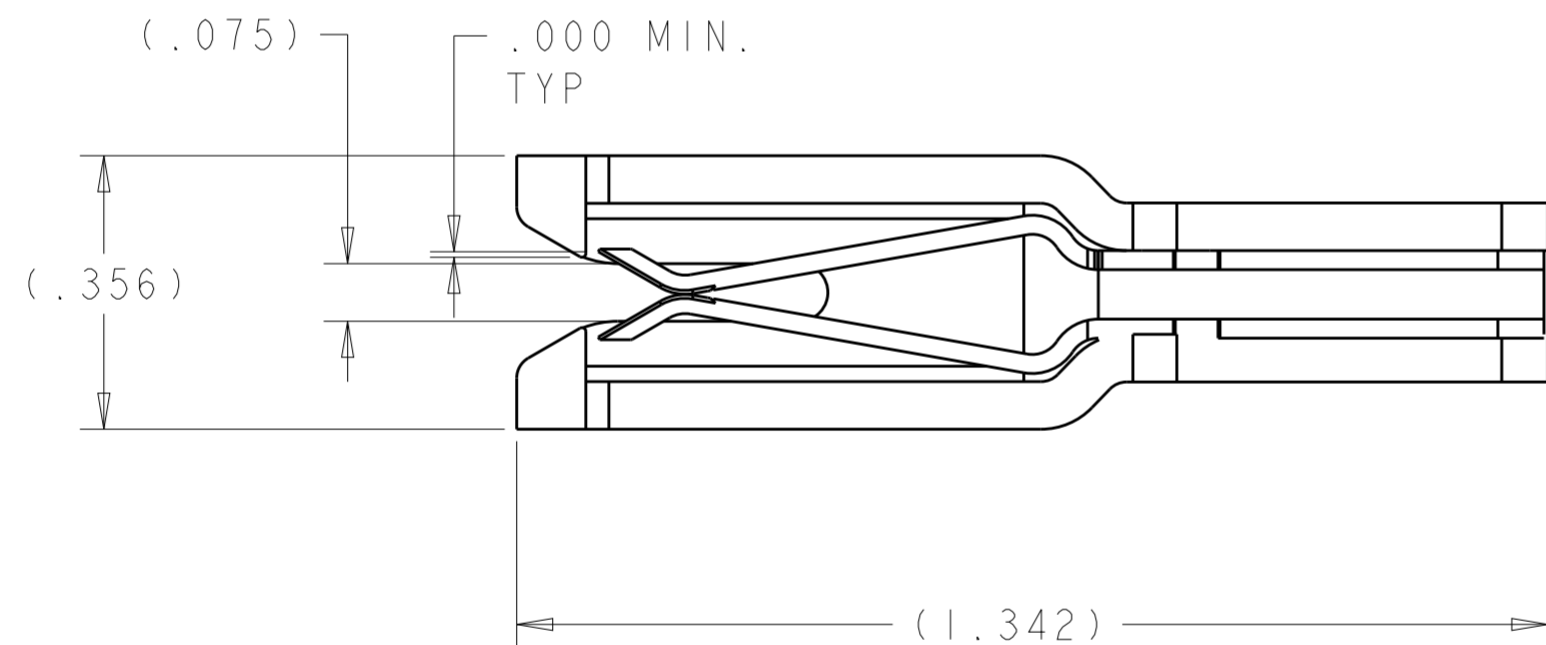
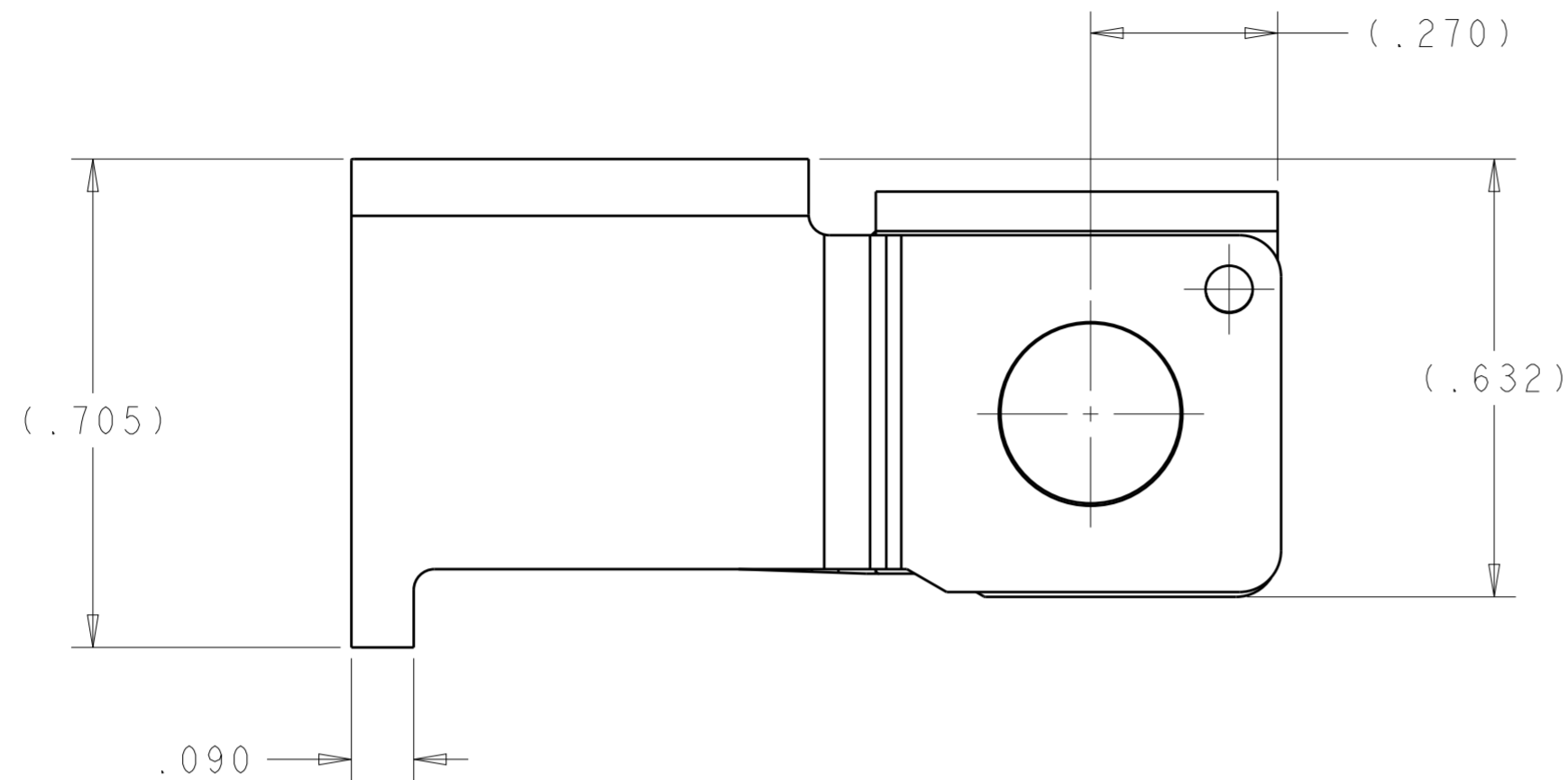
2	3	104742-1
DESCRIPTION		PART NUMBER

THIS DRAWING IS A CONTROLLED DOCUMENT.		DWN R. GRZYBOWSKI 08FEB2008
DIMENSIONS: INCHES		CHK A. FRANTUM 08FEB2008
TOLERANCES UNLESS OTHERWISE SPECIFIED:		APVD S. FLICKINGER 08FEB2008
0 PLC ±	1 PLC ±	PRODUCT SPEC
2 PLC ±	3 PLC ±.015	APPLICATION SPEC
4 PLC ±	ANGLES ±	WEIGHT
MATERIAL	FINISH	CUSTOMER DRAWING

STE TE Connectivity		NAME	RESTRICTED TO
AMP PDS .062F2 PLUGGABLE BUS BAR SERIES W/ GUIDE		SIZE	
CAGE CODE	DRAWING NO	SCALE	SHEET
A200779	C-104742	4:1	1 OF 2
REV J1			

THIS DRAWING IS UNPUBLISHED. RELEASED FOR PUBLICATION 20
 © COPYRIGHT 20 ALL RIGHTS RESERVED.

LOC	DIST	REVISIONS					
GP	00	P	LTR	DESCRIPTION	DATE	DWN	APVD
		-		SEE SHEET 1	-	-	-



3	4	104742-2
DESCRIPTION	PART NUMBER	

THIS DRAWING IS A CONTROLLED DOCUMENT.		DWN 08FEB2008 R. GRZYBOWSKI	TE Connectivity	
DIMENSIONS: INCHES		CHK 08FEB2008 A. FRANTUM	AMP PDS .062F2 SERIES W/ GUIDE	
TOLERANCES UNLESS OTHERWISE SPECIFIED:		APVD 08FEB2008 S. FLICKINGER	SIZE	RESTRICTED TO
0 PLC ±	1 PLC ±	PRODUCT SPEC	A200779	-
2 PLC ±	3 PLC ±.015	APPLICATION SPEC	C-104742	-
4 PLC ±	ANGLES ±	WEIGHT	SCALE 4:1	SHEET 2 OF 2
MATERIAL	FINISH	CUSTOMER DRAWING	REV	J1