



OMNI® LINE VOLTAGE ULTRASONIC & PIR CEILING SENSOR

CEILING MOUNT OCCUPANCY SENSORS

FEATURES

- IntelliDAPT® self-adaptive technology - no manual adjustment required
- All-digital Dual Technology (Ultrasonic (US) and Passive Infrared (PIR) sensor)
- Non-volatile memory for sensor settings
- 500–2,000 square-foot coverage area (depending on model)
- Self-contained power supply
- Universal voltage (100-277VAC; 50/60 Hz)
- UL and cUL listed
- Five-year warranty



RELATED PRODUCTS

[Occupancy Sensor Accessories](#)

[OMNIUSBP](#)

[OMNIIRBP](#)

[OMNIDT](#)

[OMNIUS](#)

[OMNIIR](#)



SPECIFICATIONS

CONSTRUCTION

- Casing- rugged, high-impact, injection-molded plastic KJB ABS
- Cicolac (UL-945VA) flame class rating, UV inhibitors
- Color-coded leads are 6" long (152.4 mm)
- 8.2 oz (232g)
- Off-white
- Red - ultrasonic detection
- Green - ultrasonic motion
- Dual-element pyrometer and 12-element cylindrical rugged lens

MOUNTING

- Mounting using a 3 inch (76.2mm) mud ring attached to 4 inch (101.6mm) square electrical box
- Recommended MAX mounting height: 12ft. (3.66m)

ELECTRICAL

- OMNIDT500: 40kHz output
- OMNIDT1000 and OMNIDT2000: 32kHz
- 100–277VAC; 50/60Hz
- 20A: 120VAC Incandescent
- 20A: 120 or 277VAC Magnetic Ballast
- 16A: 120 or 277VAC Electronic Ballast
- 1HP: 120VAC Motor Load
- 1HP: 277VAC Motor Load

OPERATIONS

- IntelliDAPT
 - Auto reset from test setting
 - Self-adjusting timer
 - Self-adjusting ultrasonic and passive infrared thresholds

OPERATIONS (CONTINUED)

- Automatic false-ON/false-OFF corrections
- Timer Settings
 - Automatic mode: 8–30 min. (self-adjusts based on occupancy)
 - Test mode: 8 seconds (for an easy check at installation)
- Coverage
 - 500–2,000 square feet (depending on model) coverage

OPERATING ENVIRONMENT

- Indoor use only
- Operating temperature: 32° to 104°F (0° to 40°C)
- Relative humidity (non-condensing): 0% to 95%

CERTIFICATIONS

- UL and cUL listed

WARRANTY

- 5 year warranty
- See [HLI Standard Warranty](#) for additional information

ORDERING GUIDE

Example: OMNIDT500BP1277

CATALOG #

Series

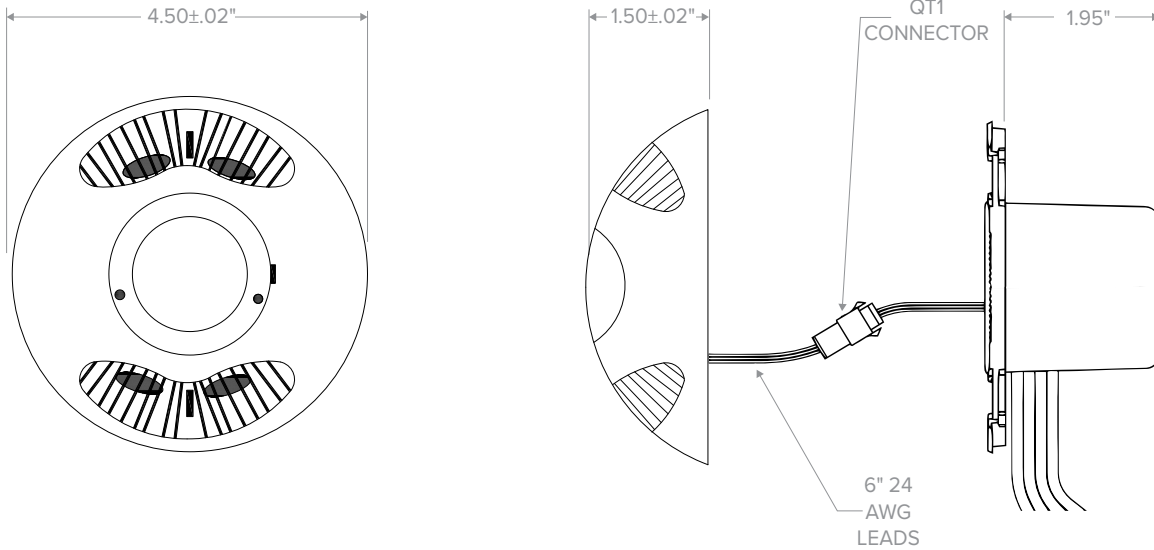
OMNIDT500BP1277	Line Voltage Ultrasonic and PIR Ceiling Sensor 500 sq. ft. coverage
OMNIDT1000BP1277	Line Voltage Ultrasonic and PIR Ceiling Sensor 1000 sq. ft. coverage
OMNIDT2000BP1277	Line Voltage Ultrasonic and PIR Ceiling Sensor 2000 sq. ft. coverage



OMNI® LINE VOLTAGE ULTRASONIC & PIR CEILING SENSOR

CEILING MOUNT OCCUPANCY SENSORS

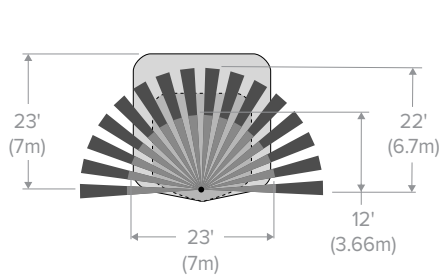
DIMENSIONS



ADDITIONAL INFORMATION

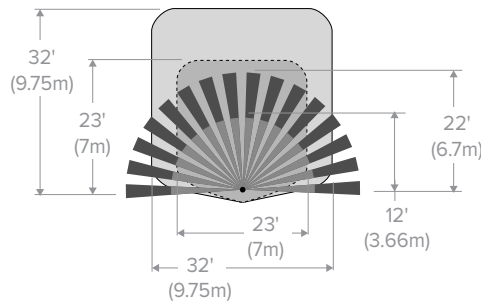
Coverage Patterns

DT 500 Range



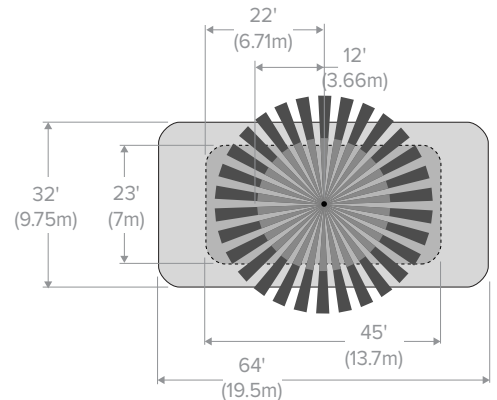
- US Minor Motion
- US Major Motion
- IR Minor Motion
- IR Major Motion

DT 1000 Range



- US Minor Motion
- US Major Motion
- IR Minor Motion
- IR Major Motion

DT 2000 Range



- US Minor Motion
- US Major Motion
- IR Minor Motion
- IR Major Motion

All product and company names, logos and product identifiers are trademarks™ or registered trademarks® of Hubbell Lighting, Inc. or their respective owners. Use of them does not necessarily imply any affiliation with or endorsement by such respective owners.



OMNI[®] LINE VOLTAGE ULTRASONIC & PIR CEILING SENSOR

CEILING MOUNT OCCUPANCY SENSORS

ADDITIONAL INFORMATION

Wiring Diagrams

Figure 1

