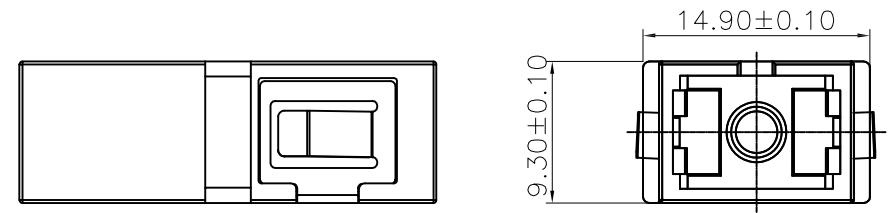
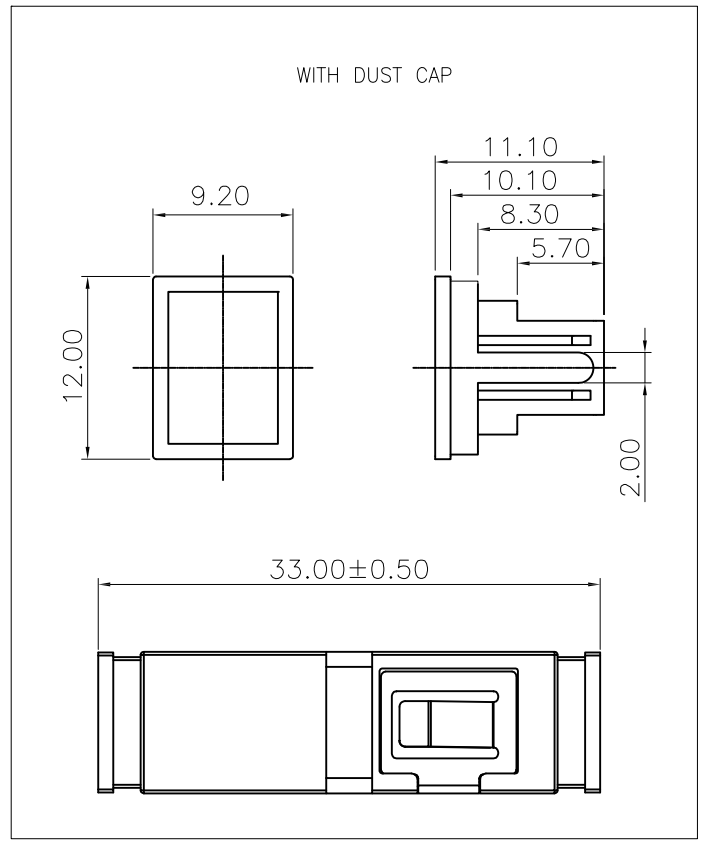
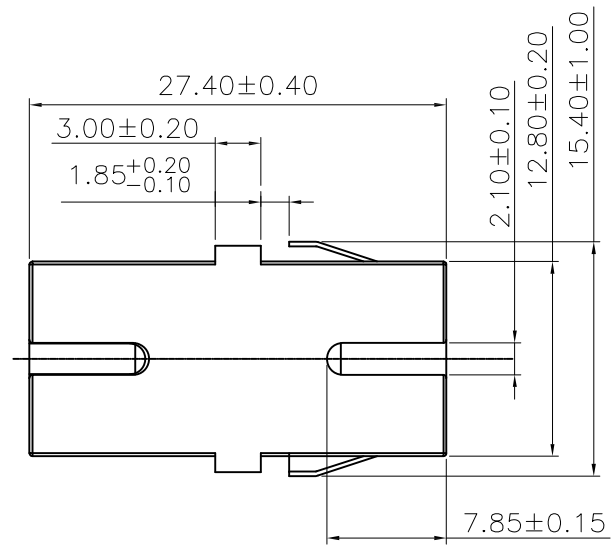


APPROVED: \_\_\_\_\_  
 DATE: \_\_\_\_\_ TITLE: \_\_\_\_\_

| Rev | AWO # | Description | Date   | Appr |
|-----|-------|-------------|--------|------|
| -   |       | RELEASED    | 9/8/20 |      |



|              |                          |                      |           |
|--------------|--------------------------|----------------------|-----------|
| OPSA1BSNC1N1 | SC/APC, W/O Panel Ground | 7737C Green          | PBT Black |
| OPSA1BSNC1P1 | SC/APC, W/Panel Ground   | 7737C Green          | PBT Black |
| OPSB1BSNC1N1 | SC/PC, W/O Panel Ground  | 2184C Blue           | PBT Black |
| OPSB1BSNC1P1 | SC/PC, W/Panel Ground    | 2184C Blue           | PBT Black |
| PART NUMBER  | DESCRIPTION              | Housing&Insert color | Cap Color |

**SPECIFICATIONS:**  
 Material:  
 Housing: PBT, rated UL 94V-0, Color: See Chart  
 Cap: PBT, rated UL 94V-0, Color: Black  
 Electrical:  
 Standards of IEC, EIA/TIA, Telcordia  
 Insertion loss: 0.2dB max  
 Repeatability: 500 cycles min  
 Temperature Rating:  
 Operating temperature: -40°C to +85°C  
 Environmental:  
 Lead free, RoHS compliant.



UNLESS OTHERWISE SPECIFIED  
 ALL DIMENSIONS ARE MILLIMETERS  
 TOLERANCES: EXCEPT AS NOTED

|             |             |
|-------------|-------------|
| MM          | ANGLE       |
| X. ± 0.35   | X. ± 2°     |
| .X ± 0.30   | .X ± 1°     |
| .XX ± 0.25  | .XX ± 0.5°  |
| .XXX ± 0.15 | .XXX ± 0.5° |

| APPROVALS |    | DATE   |
|-----------|----|--------|
| DRAWN     | LH | 9/8/20 |
| CHECKED   | JL | 9/8/20 |
| APPROVED  |    |        |

**ADAM TECH INTERCONNECTS** 909 Rahway Avenue,  
 Union, NJ 07083  
 Phone: 908-687-5000  
 Fax: 908-687-5710

TITLE: SC TYPE ADAPTER, APC&PC, 1 PORTS, SHORT EARS, WITH SC TWO TYPE DUST CAP, SOLID BLOCK

|      |              |      |
|------|--------------|------|
| SIZE | PART NO.     | REV. |
| X    | OPXS1BSNC1X1 | -    |

REF: S00005C SCALE: NTS SHEET 1 OF 1