



1710-1813 MHz Cavity Bandpass Filter

ANATECH ELECTRONICS INC
RF & Microwave Filters & Products

Part Number: AB1761B1027



Electrical specifications

Passband: 1710-1813 MHz
Insertion loss: ≤ 1.0 dB
Return loss: > 18 dB
Rejection: 40 dB@1850-1910 MHz
Impedance: 50 Ohms In/Out
Average power handling: 40 Watts
Peak power Handling: 1.4 KW
IMD3@1615 MHz: ≤ 100 dBm@2x43 dBm
IMD5@1505 MHz: ≤ 110 dBm@2x43 dBm

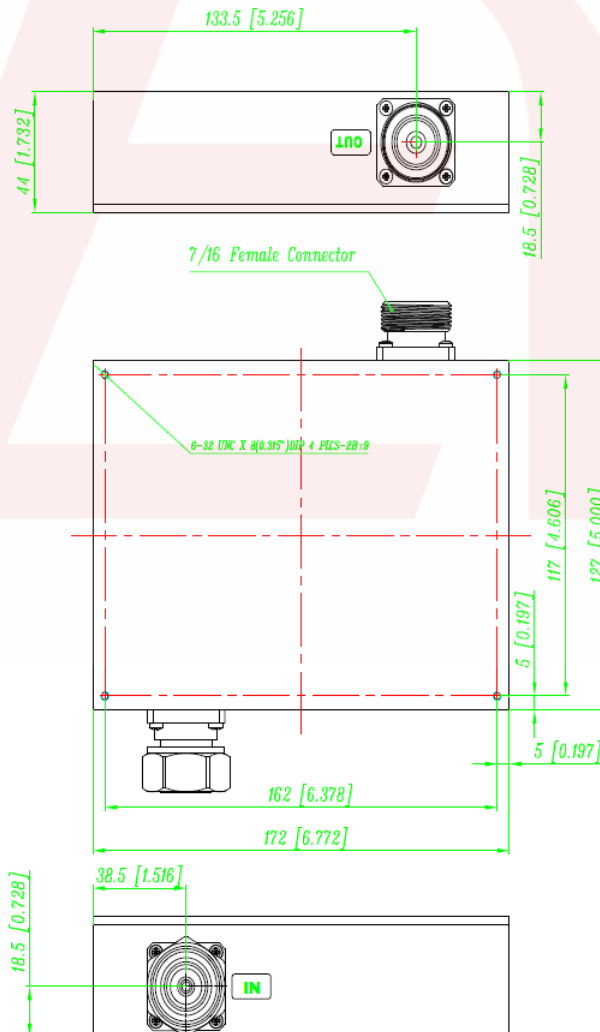
Mechanical

Mounting Method: Threaded Mounting Holes
Connector Type: 7/16 (F)
Dimensions: 5.51 x 2.48 x 1.65 inches

Environmental

Operating Temperature: -45 to +85° C
Storage Temperature: -55 to +95° C
Shock: 20 G. 11ms
Vibration: 20 G. 5 to 200 Hz

Outline Drawing:



DS-B1027-03152018-Rev0



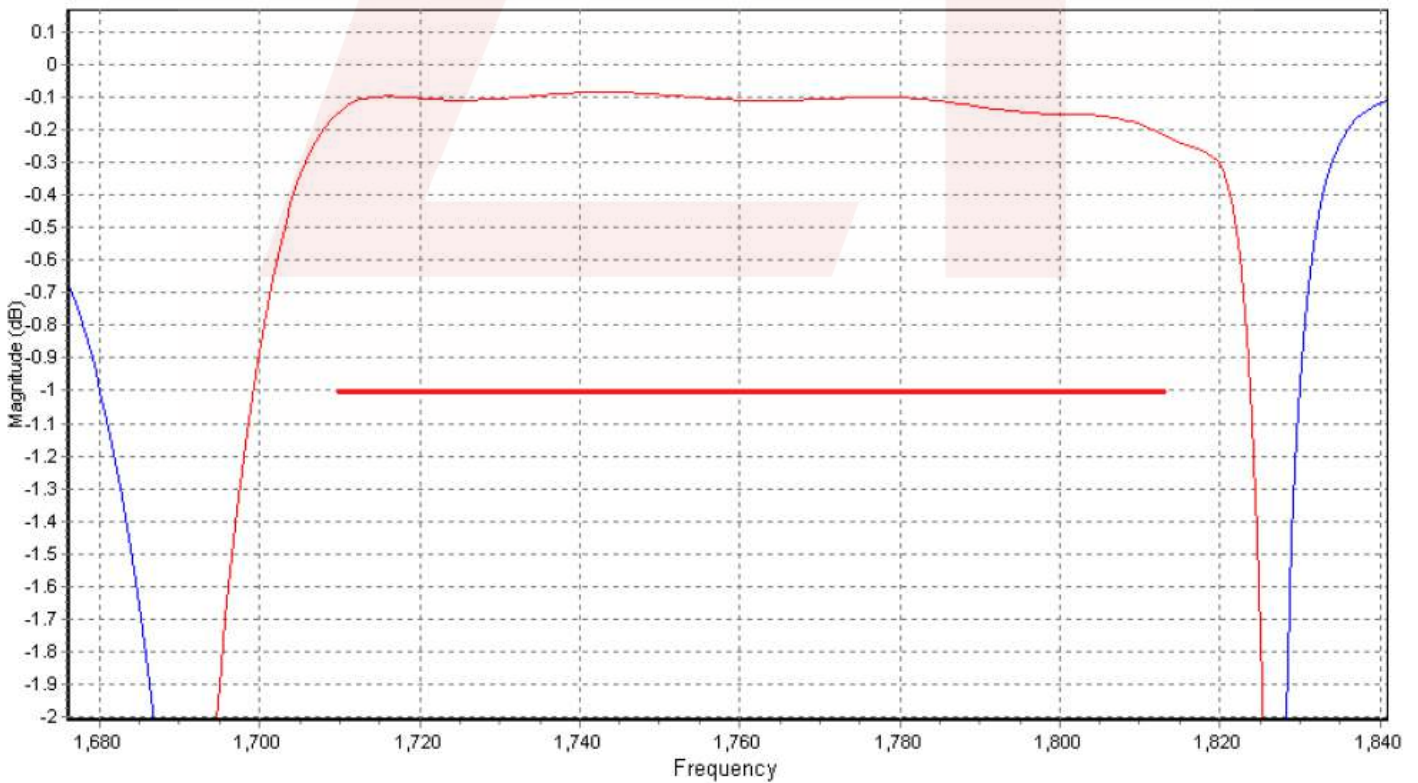
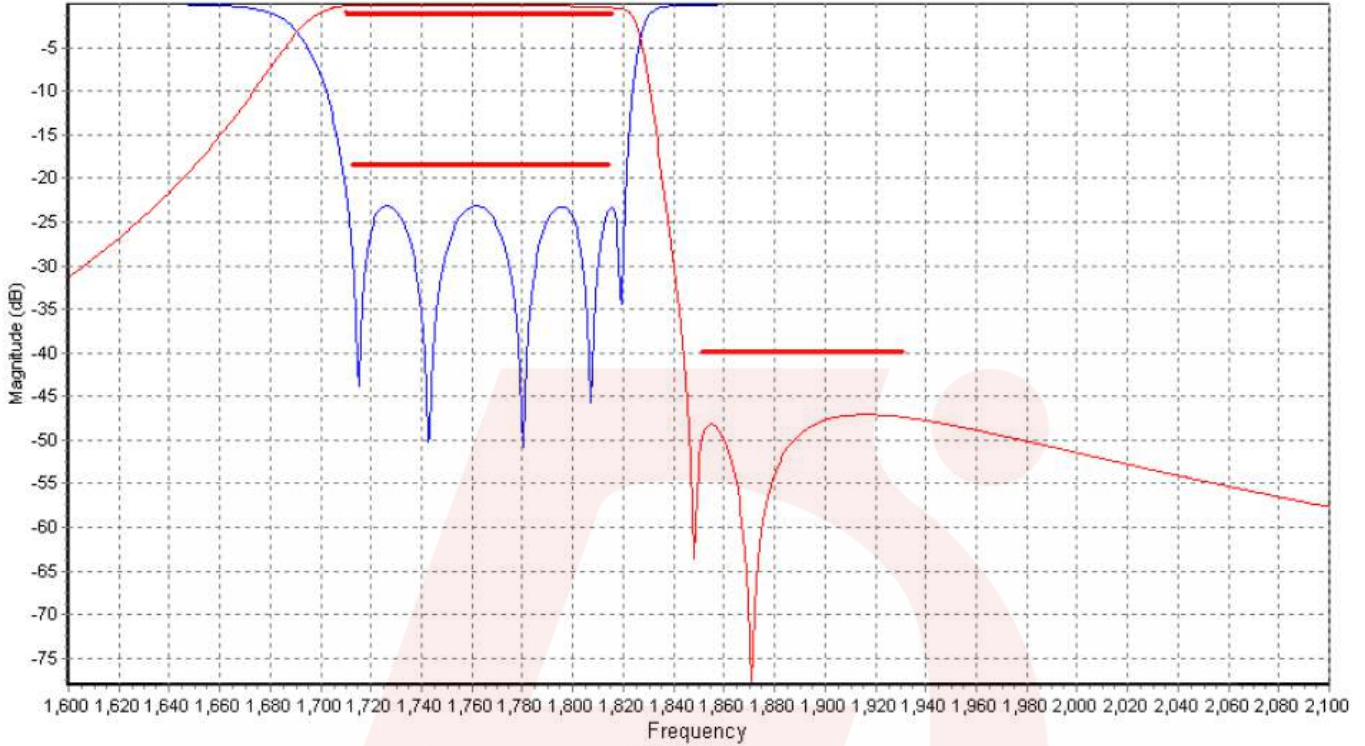
1710-1813 MHz Cavity Bandpass Filter

ANATECH ELECTRONICS INC
RF & Microwave Filters & Products

Part Number: AB1761B1027



Plot:



DS-B1027-03152018-Rev0