

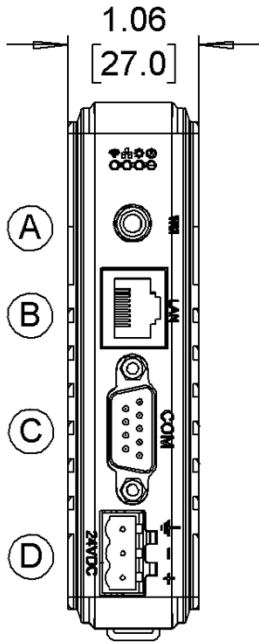
## Communication Gateway with IIoT Features



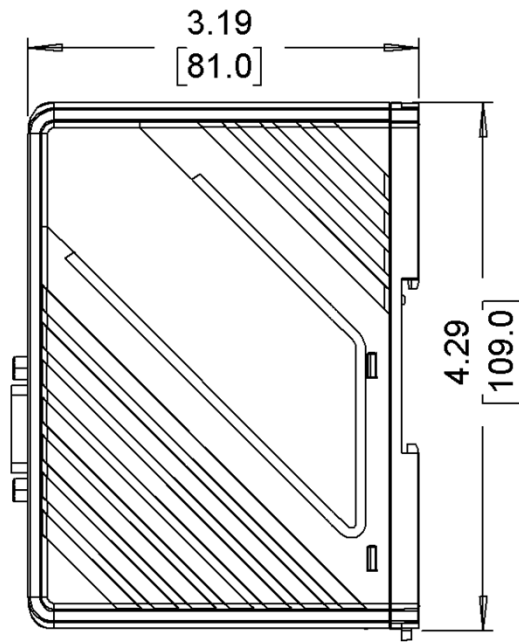
- Email Alarm Notification
- Data Acquisition
- Recipe, Data Transfer Macros
- Supports many PLC Protocols
- Wi-Fi Functionality



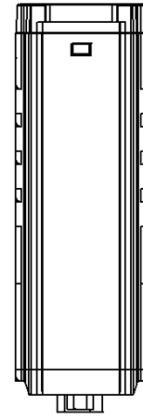
System	CPU	32-bit RISC Cortex-A8, 600 MHz
	Memory (RAM)	256 MB
	Memory (Flash)	256 MB
	RTC	Built-in
I/O Ports	Serial	1 x DE9P COM1: RS-232, COM2: RS-485 2 or 4 wire, COM3: RS-485 2 wire
	LAN	1 x 10/100 Base-T RJ-45
	CANbus	N/A
	USB Host	N/A
	USB Client	N/A
	Audio	N/A
	Video	N/A
	Wi-Fi	IEEE 802.11 b/g/n
	HDMI®	N/A
	SD Card Slot	N/A
	Display	Display Type
Size (W x H)		N/A
Max. Resolution		N/A
Max. Color		N/A
Luminance (cd/m²)		N/A
View Angle (H°/V°)		N/A
Contrast Ratio		N/A
Backlight Lifetime (Hours)		N/A
Touch Screen	Type	N/A
	Active Area Accuracy	N/A
Electrical	Input Voltage	10.5 ~ 28 VDC
	Input Current	230 mA @ 12 VDC; 115 mA @24 VDC
	Input Power	2.76 W
	Power Isolation	Built-in
	Isolation Resistance	Exceed 50 MΩ at 500 VDC
Mechanical	Enclosure	Plastic, charcoal grey
	PCB Coating	Yes
	Dimensions (W x H x D)	4.29 x 3.19 x 1.06 inches [109 x 81 x 27 mm]
	Net Weight	Approx. 0.31 lbs. [0.14 kg]
	Mounting	35 mm DIN rail
Environmental	Operating Temperature	32° ~ 122°F (0° ~ 50°C)
	Storage Temperature	-4° ~ 140°F (-20° ~ 60°C)
	Relative Humidity	10% ~ 90% (non-condensing)
	Vibration Endurance	10 to 25 Hz (X, Y, Z direction, 2G, 30 minutes)
	Rating	IP20
	Certifications	cULus, CE, RoHS
Software	EBPro (all versions), EasyAccess 2.0 (optional), IIoT Ready, MQTT, Sparkplug, Modbus TCP/IP	
Notes	Specifications subject to change without notice	



Front View

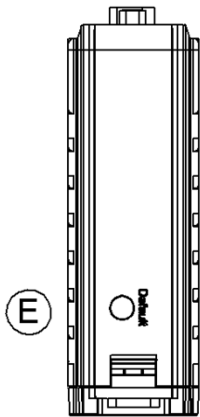


Side View

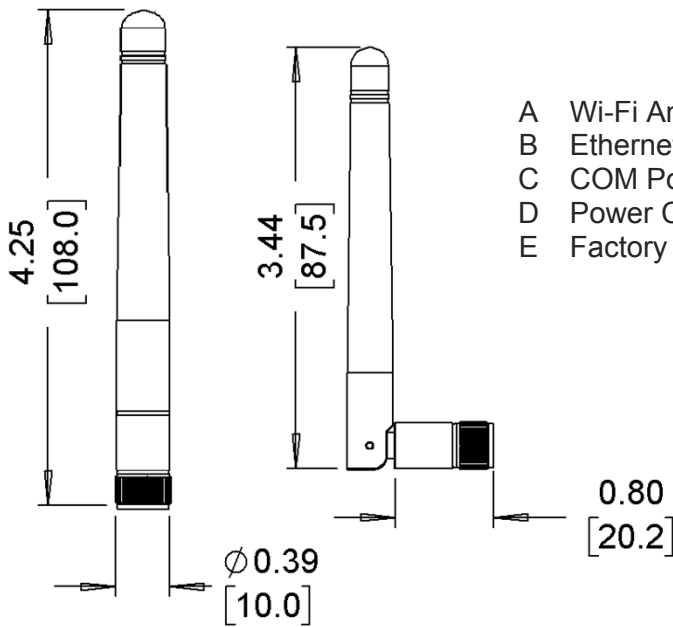


Top View

Dimensions are in inches [mm]



Bottom View



Antenna

- A Wi-Fi Antenna Mount
- B Ethernet Port
- C COM Port DE9P
- D Power Connector
- E Factory Default Button