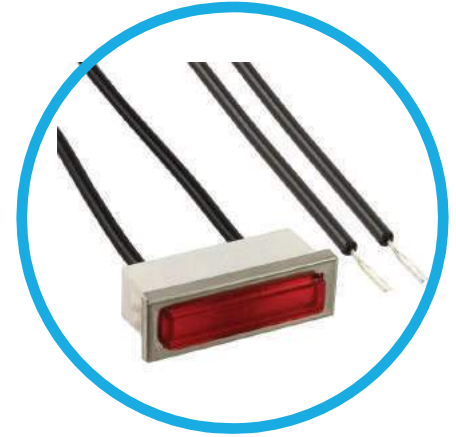




2330D and 2332D Series Non-Relampable Neon Panel Mount Indicator



Snapfit Rectangular Neon Wired Indicator Lights
For 0.400" x 1.280" mounting hole

Specifications

Mounting: Will snap-fit into cut-out 0.400" x 1.280" and will mount in .032" - .100" thick panel

Wire Leads: No. 22 AWG (105°C) 4.40"/4.80" long, stripped .430"/.570"

Lens: Polycarbonate

Anode(+): Red lead

Bezel: Stainless steel.

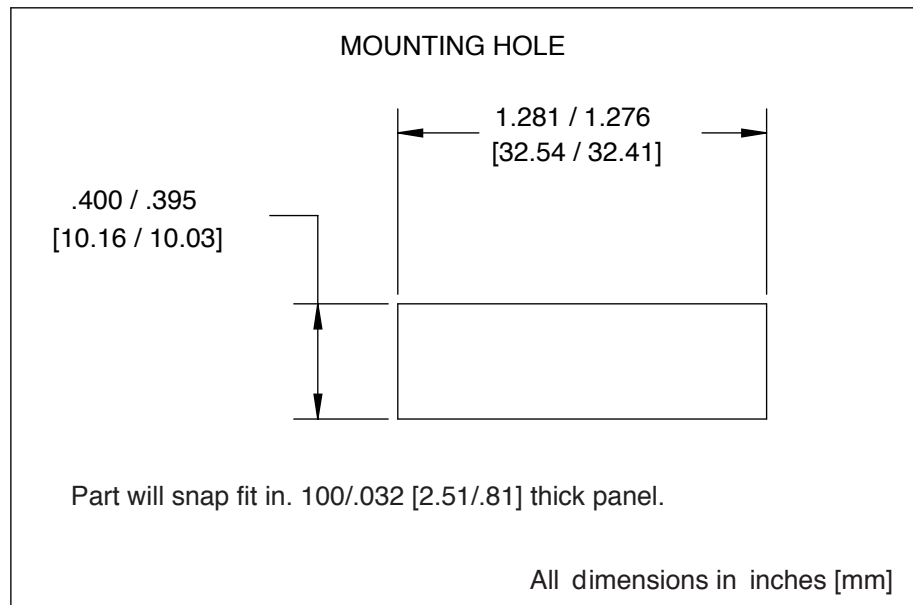
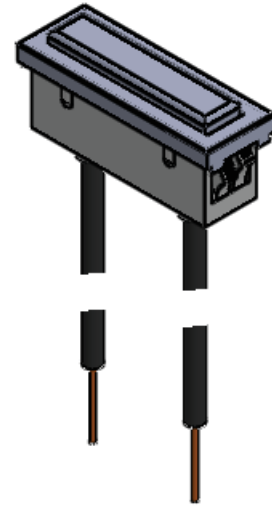
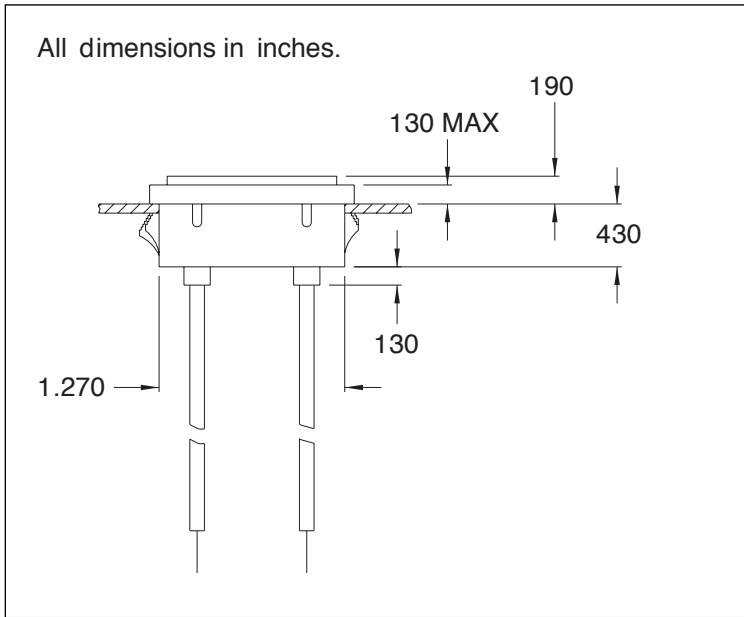
Underwriters Laboratories (UL) File No. E20356

Ordering Information

Lens Color	Model No. (105-125 VAC)	Lamp used
Red	2330D1	LT2-32-1 + Resistor
Green	2332D5	G2B + Resistor

Lamp	Maximum Breakdown Voltage			Design Current mA	Life Avg. Hours	Typ. R Ohms	Pre-Aged	Bulb Length Max. In.	Base
	VAC	VDC	Exting. Volts						
G2B	N/A	135	N/A	2.6	25,000	N/A	No	1 ¹ / ₁₆	1" Wire
LT2-32-1	95	135	N/A	1.4	N/A	N/A	N/A	N/A	N/A

Dimensions



Compliances and Approvals

