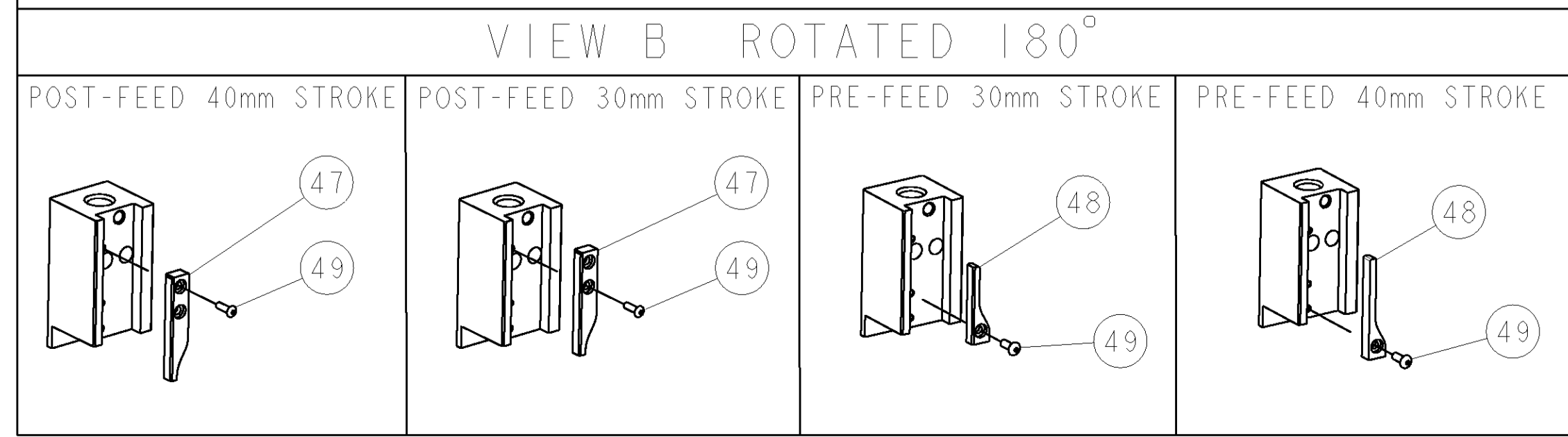
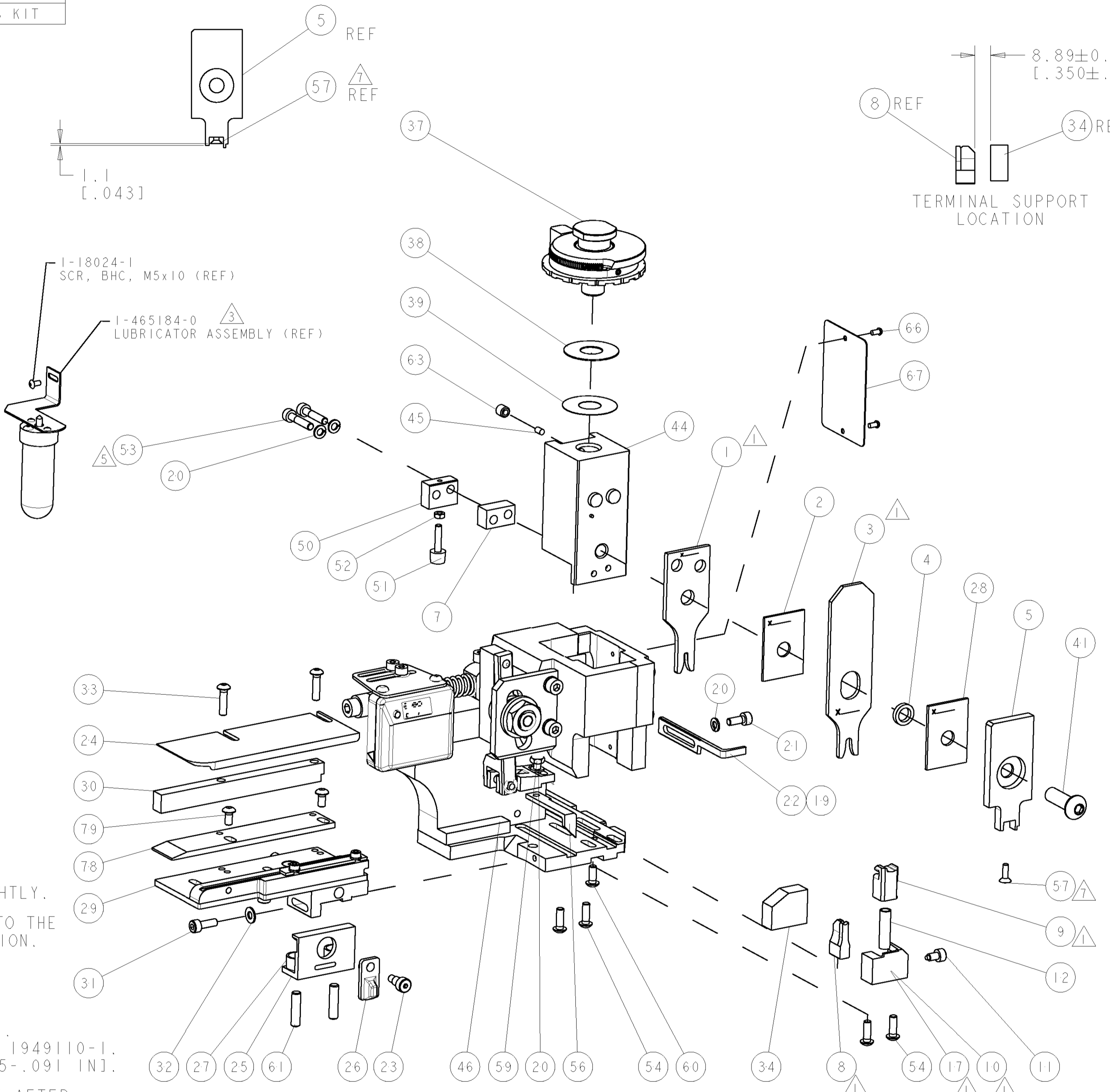


PART NUMBER	REV	TERMINATOR	FEED TYPE	DESCRIPTION
1528683-1	B	LEADMAKER	MECH POST FEED	CUTS CARRIER
1528683-2	B	BENCH	MECH PRE FEED	CUTS CARRIER
1528683-6	B	LEADMAKER	MECH POST FEED	CONTINUOUS CARRIER
7-1528683-1	B	LEADMAKER	MECH POST FEED	-1 AND SPARE PARTS
7-1528683-2	B	BENCH	MECH PRE FEED	-2 AND SPARE PARTS
7-1528683-6	B	LEADMAKER	MECH POST FEED	-6 AND SPARE PARTS
7-1528683-7	A	-	-	SPARE PARTS KIT

CRIMP DATA	LEAR/GHW TERMINAL	LEAR CRIMP SPECS
TERMINAL NAME: RSA 2 PLUS PIN		
CRIMP	SIZE	TYPE
WIRE	2.03 [1.080 IN]	F
INSUL	3.94 [1.155 IN]	O
WIRE STRIP LENGTH	APPL INSTRUCTIONS	
SEE LEAR DATA SHT	408-8322 & 408-8490	
TERMINAL LEAR DATA SHT	26135	FEED
APPL SPEC	-	12.70 [1.500 IN]
TERMINALS APPLIED		
TYCO TERM PN	MANUF TERM PN	TYCO SEAL PN
1949109-1	26135.201.179	1949110-1
-	-	-
-	-	-
-	-	-
WIRE SIZE	CRIMP HEIGHT	REF SETTING
1.00mm ²	1.25 ± 0.05 [1.049 ± .002 IN]	B2
0.75mm ²	1.20 ± 0.05 [1.047 ± .002 IN]	B6
0.50mm ²	1.15 ± 0.05 [1.045 ± .002 IN]	C0

- △ RECOMMENDED SPARE PARTS.
- 2. GREASE RAM, CAM, CAM FOLLOWER AND FEED ROD LIGHTLY.
- △ CERTAIN TERMINALS REQUIRE LUBRICATION. REFER TO THE APPLICATOR INSTRUCTION SHEET FOR MORE INFORMATION.
- 4. LUBRICATE DAILY PER THE APPLICATOR INSTRUCTION SHEET SUPPLIED WITH THE APPLICATOR.
- △ CUT TO LENGTH AT ASSEMBLY.
- △ THIS APPLICATOR APPLIES TERMINAL WITH A SEAL. INSULATION RANGE QUOTED IS RANGE OF SEAL PN 1949110-1. TERMINAL INSULATION RANGE IS 1.40-2.30 [1.055-.091 IN].
- △ APPLY TORO-SEAL IN ALLEN SOCKET TO FILL HOLE AFTER FLAT HD HAS BEEN ADJUSTED TO CORRECT HEIGHT AT QUALIFICATION. APPLY #1-23419-5 LOC-TITE TO THREADS.



* WARNING
ON INSTALLATION, SET WIRE DISC TO LARGEST WIRE SIZE SETTING. USE OF SETTINGS BELOW MIN. REQUIRED CRIMP HEIGHT SETTING WILL CAUSE DAMAGE TO CRIMP TOOLING.

QTY	PART NO	DESCRIPTION	ITEM NO
-	-	-	83
-	-	-	82
-	-	-	81
-	-	-	80
2	18024-6	SCR, BTN SKT HD CAP (M4 X 8.0)	79
1	525891-1	EXTENSION PLATE STRIP GUIDE ASSEMBLY	78
-	-	-	77
-	-	-	76
-	-	-	75
-	-	-	74
-77	-76	-72	-71
-6	-2	-1	PART NO

SET UP GAGE 458637-3		LOC	DIST	REVISIONS			
P	LTR	DESCRIPTION	DATE	BY	APPV	DATE	BY
A	66	SEE ECO-06-020862	31AUG2006	DP	MC		
B		SEE ECR-06-022369	20SEP2006	MC	MC		

QTY	PART NO	DESCRIPTION	ITEM NO
-	-	-	73
-	-	-	72
1	1338705-3	DOCUMENTATION PACKAGE	71
-	-	-	70
-	-	-	69
-	-	-	68
1	461264-5	PLATE, IDENTIFICATION	67
2	21017-2	SCREW, DRIVE	66
-	-	-	65
-	-	-	64
1	3-18031-0	SCR, SET, CUP POINT M6 X 6.0	63
-	-	-	62
2	2-18032-5	SCR, SET, FLT POINT M5 X 20.0	61
1	18024-7	SCR, BTN SKT HD CAP (M4 X 10.0)	60
1	5-18022-2	SCR, HEX HD CAP M4 X 8.0	59
-	-	-	58
1	985575-3	SCR, FLT SKT HD CAP M3 X 10.0	57
1	1338685-1	PAWL, FEED	56
-	-	-	55
4	18024-8	SCR, BTN SKT HD CAP (M4 X 12.0)	54
2	1-18023-4	SCR, SKT HD CAP M4 X 20.0	53
1	18030-1	NUT, HEX, REG M3	52
1	811242-5	BUMPER, HOLD DOWN	51
1	690753-2	SPACER, TONKER	50
1	18024-3	SCR, BTN SKT HD CAP (M3 X 10.0)	49
1	1338675-1	CAM, UNIVERSAL PRE FEED	48
1	1338676-1	CAM, UNIVERSAL POST-FEED	47
1	1320999-3	APPLICATOR SUBASSEMBLY, HDI	46
1	690191-1	PLUG, NYLON	45
1	1338660-1	RAM	44
-	-	-	43
-	-	-	42
1	2-18024-6	SCR, BTN SKT HD CAP (M8 X 25.0)	41
-	-	-	40
1	690125-1	SHIM SUB-ASSY	39
1	1-469367-2	SHIM	38
1	879103-2	FINE ADJUST HEAD ASSEMBLY	37
-	-	-	36
-	-	-	35
1	1320934-9	SUPPORT, TERMINAL	34
2	18024-9	SCR, BTN SKT HD CAP (M4 X 16.0)	33
1	18027-2	WASHER, FLAT, REG M4	32
1	1-18023-2	SCR, SKT HD CAP M4 X 12.0	31
1	1320908-5	SPACER, STRIP GUIDE	30
1	1633073-2	STRIP GUIDE ASSEMBLY	29
1	1-455888-5	SPACER, CRIMPER	28
2	1-22284-0	SPRING, COMPRESSION	27
1	356835-1	LEVER, DRAG RELEASE	26
1	240792-1	DRAG, TERMINAL	25
1	1320928-3	PLATE, STRIP GUIDE	24
1	980371-4	SCR, SKT HD SHLDR 5.0 DIA X 6.0	23
1	690472-2	STRIPPER	22
1	1-18023-1	SCR, SKT HD CAP M4 X 10.0	21
4	18025-2	WASHER, SPRG LOCK, REG M4	20
-	-	-	19
-	-	-	18
1	1338684-2	SHEAR HOLDER, FRONT	17
-	-	-	16
-	-	-	15
-	-	-	14
-	-	-	13
1	3-22280-3	SPRING, COMPRESSION	12
1	356885-5	STOP, SHEAR	11
-	-	-	10
1	1-1320921-0	SHEAR HOLDER, FRONT, CUT	9
1	1-318707-0	FLOATING SHEAR, FRONT	8
1	2-1633131-5	ANVIL, COMBINATION .080	7
1	5-240641-1	SPACER	6
-	-	-	5
1	1338680-1	DEPRESSOR, SHEAR	4
1	238011-4	BLOCK, CRIMPER SPACER	3
1	2	683454-1	CRIMPER, INSULATION O
1	1-455888-1	SPACER, CRIMPER	2
1	1-456405-6	CRIMPER, WIRE PREMIUM	1

QTY	PART NO	DESCRIPTION	ITEM NO
-	-	-	83
-	-	-	82
-	-	-	81
-	-	-	80
2	18024-6	SCR, BTN SKT HD CAP (M4 X 8.0)	79
1	525891-1	EXTENSION PLATE STRIP GUIDE ASSEMBLY	78
-	-	-	77
-	-	-	76
-	-	-	75
-	-	-	74
-77	-76	-72	-71
-6	-2	-1	PART NO