

PROPRIETARY INFORMATION: PROPRIETARY OF GLOBTEK, INC. ANY REPRODUCTION, DISCLOSURE OR USE OF THIS DRAWING, IN WHOLE OR IN PART, IS HEREBY PROHIBITED EXCEPT AS SPECIFIED IN WRITING BY GLOBTEK, INC.	REVISION			
	REV	DESCRIPTION	DATE	APPROVED
	A	INITIAL RELEASE, RFS.2833, SO	01/14/04	DMR
	B	REMOVE T3 FROM MODEL #, RFS.5495, DMR	02/07/05	DMR
	C	ADD APPROVALS, UPDATE LABEL, GIFT BOX DIM., RFS. 8284, SO	04/07/06	DMR
	D	ADD VCCI, WEEE, ROHS, RFS. 10390, SO	04/07/07	HM
	E	ADD CH. ROHS, RFS. 10894, SO	05/09/07	HM
	F	SHOW SHRINK TUBING ON O/P CONN.,, RFS. 11112, SO	05/17/07	HM
G	CORRECT GB SIZE, RFS. 11642, SO	07/30/07	HM	

1. ELECTRICAL SPECIFICATIONS:

INPUT

INPUT VOLTAGE: 90Vac TO 264Vac
 INPUT CURRENT: <1.6A rms AT 90VAC INPUT
 INPUT FREQUENCY: 47HZ - 63HZ

OUTPUT :

OUTPUT VOLTAGE: 12 VDC
 OUTPUT CURRENT: 4 A, NO LOAD TO FULL LOAD, NO MINIMUM LOAD REQUIRED
 RATED OUTPUT POWER: 48 WATTS, MAXIMUM
 OUTPUT REGULATION: +/-5% MEASURED AT THE OUTPUT CONNECTOR
 LINE VOLTAGE REGULATION: +/- 1% TYPICAL MEASURED AT FULL LOAD
 HIGH FREQ. OUTPUT RIPPLE: 1% OF OUTPUT VOLTAGE , PEAK TO PEAK, TYPICAL
 TURN-ON/TURN-OFF OVERSHOOT: 5% MAXIMUM, 1mS TYPICAL RECOVERY TIME FOR 25% STEP LOAD
 TURN-ON DELAY: 1 SECOND, TYPICAL
 HOLD-UP TIME: 10mS TYPICAL AT NOMINAL INPUT VOLATAGE AND FULL LOAD
 INRUSH CURRENT: 20A TYPICAL AT 115Vac INPUT AND 30A TYPICAL AT 230Vac INPUT
 SWITCHING FREQUENCY: 100KHZ TYPICAL
 EFFICIENCY: 75% TYPICAL AT NOMINAL INPUT AND FULL LOAD
 OUTPUT INDICATOR: GREEN LED FOR OUTPUT PRESENT



PROTECTION

OVER-VOLTAGE: VOLTAGE LIMITED TO LESS THAN 130%, CROWBAR METHOD
 OVERLOAD: HICCUP MODE WITH AUTO-RECOVERY (110 - 130% OF RATED LOAD)
 SHORT CIRCUIT: HICUP MODE, OUTPUT WILL AUTORECOVER UPON REMOVAL OF SHORT
 INPUT PROTECTION: INPUT LINE FUSING

SAFETY

DIELECTRIC WITHSTAND VOLTAGE: 4242Vdc FROM PRIMARY TO SECONDARY
 EARTH LEAKAGE CURRENT: 500uA at 264Vac INPUT VOLTAGE

APPROVALS

ITE UNITS: UL 60950 (THIRD EDITION), CUL TO 22.2 NO. 60950, TUV TO EN60950, PSE TO J60950, CB REPORT, AS/NZ 60950, CCC TO GB4943-2001,GB9254-1998, GB 17625.1-2003

EMI: COMPLIES WITH EN55022 CLASS B AND FCC PART 15 CLASS B, VCCI WHEN TESTED WITH RESISTIVE LOAD, BOTH CONDUCTED AND RADIATED EMI.

CE MARK: TESTED TO COMPLY WITH EN61000-3-2 EN61000-3 AND EN50082-1 INCLUDING EN61000-4-2 (SYSTEM LEVEL), EN61000-4-3, EN61000-4-4, EN61000-4-5, EN61000-4-6, EN61000-4-11 LEVEL 4.

C-TICK TESTED TO COMPLY WITH AUSTRALIA SECTION 182 OF THE RADIO COMMUNICATION ACT OF 1992.

MTBF: GREATER THAN 50,000 HOURS AT 25°C AMBIENT TEMPERATURE
 NOMINAL LINE AND FULL LOAD (MIL-217 STD)

OPERATING TEMPERATURE: 0°C TO 40°C AMBIENT TEMPERATURE
 HUMIDITY: 0% TO 90% RELATIVE HUMIDITY
 STORAGE TEMPERATURE: - 40°C TO 80°C
 ROHS: COMPLIES WITH EU 2002/95/EC AND CHINA SJ/T 11363-2006

Foot Note: Globtek Inc. will not be liable for the safety and performance of these power supplies if unauthorized access and repair occurs. End user should consult applicable UL, CSA or EN standards for proper installation instructions	DASH NO.	PART NO	REV.	DESCRIPTION	NOTES	
	TABULATION BLOCK					
	Limitation of Use: Globtek product are not authorized for use as mission critical components in life support, hazardous environment, nuclear or aircraft applications without prior written approval from the CEO of Globtek Inc.		TOLERANCES: DECIMALS ANGULAR .xx +/- 0.1 +/- 1° .xxx +/- .005		186 Veterans Dr. Northvale, NJ 07647 Tel. 201-784-1000 Fax 201.784.0111 www.globtek.com	
	INIT.BY: SO	DATE: 01/14/04	MILLIMETERS ANGULAR .xx +/- 0.3 +/- 1° .xxx +/- .013			
DRAWN: NF	DATE: 01/14/04	FSCN No.: G, N	SIZE A	DWG TITLE: SWITCHER , 48WATT, 12V@ 4A SINGLE OUTPUT, DESKTOP UNIVERSAL INPUT, ITE, CLASS II FE		
APRVD : DMR	DATE: 01/14/04	SCALE: NONE		MODEL NO: GT-21097-5012	REV. G	
Contents of this document are subject to change without prior notice		PART NO: TR9CE4000ML4-Y(R)		SHEET 1 OF 4		

PROPRIETARY INFORMATION:

PROPRIETARY OF GLOBTEK, INC. ANY REPRODUCTION, DISCLOSURE OR USE OF THIS DRAWING, IN WHOLE OR IN PART, IS HEREBY PROHIBITED EXCEPT AS SPECIFIED IN WRITING BY GLOBTEK, INC.

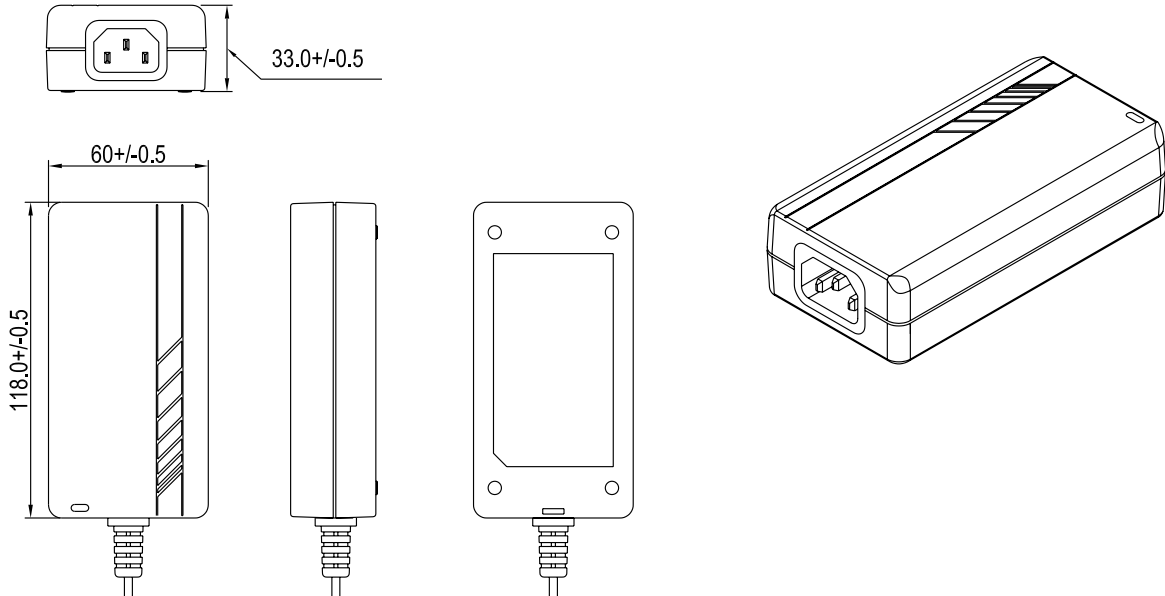
2. MECHANICAL SPECIFICATION

ENCLOSURE:

UPPER HOUSING: HIGH IMPACT PLASTIC, 94V0 POLYCARBONATE, NON-VENTED, COLOR BLACK

LOWER HOUSING: HIGH IMPACT PLASTIC 94V0 POLYCARBONATE, NON- VENTED, COLOR BLACK

SIZE: 118 x 60 x 33 ± 1 mm



3. INPUT AND OUTPUT CONNECTION

INPUT CONNECTOR:

CONFIGURATION: CLASS II FE MODEL IEC320 / C14, AC POWER RECEPTACLE WITH 3 MALE PRONGS

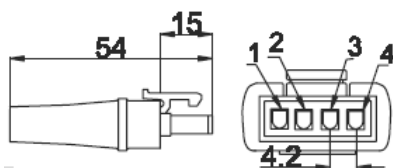
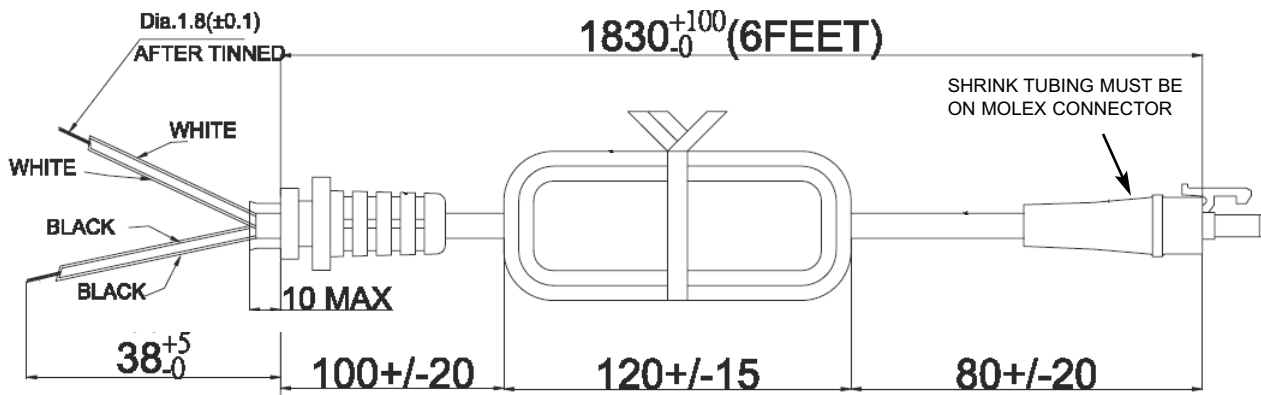
OUTPUT CORD:


4 CONDUCTOR: 18 AWG STRANDED WIRE ROUND UL 2464 CORD TYPE, COLOR BLACK , LENGTH OF CORD: 1830 +100,-0mm. CORD IS MEASURED FROM THE HOUSING TO THE END OF OVERMOLD OF THE CONNECTOR.

CABLE IS TO BE MARKED WITH WIRE GAUGE, AND ALL APPLICABLE RATING AND SAFETY APPROVALS.

OUTPUT CONNECTOR:

MOLEX 4 POSITION MINI FIT JR. # 5557 OR EQUIVALENT:



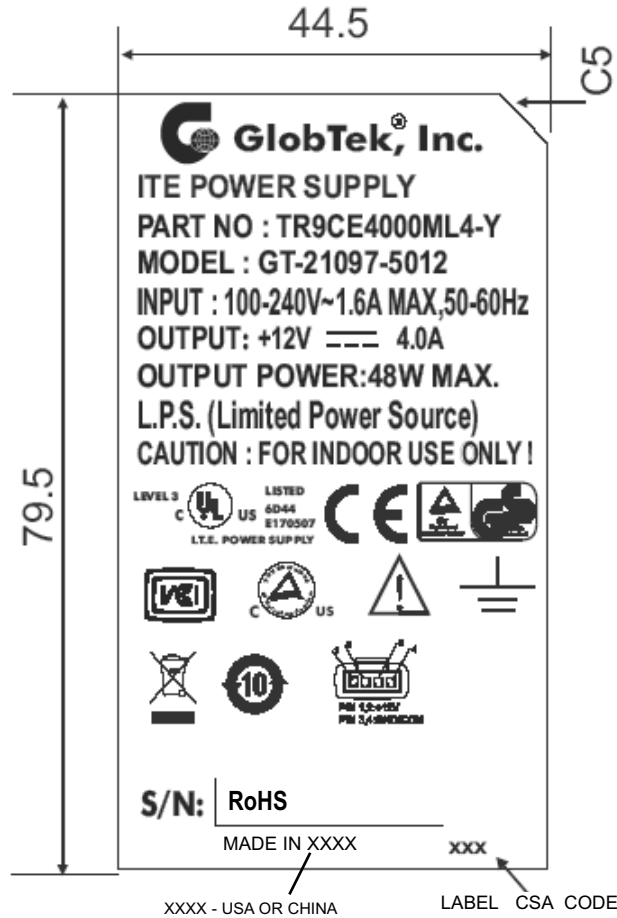
 GlobTek, Inc. 186 Veterans Dr. Northvale, NJ 07647 www.globtek.com Tel. 201-784-1000 Fax 201.784.0111	
DWG TITLE: SWITCHER , 48WATT, 12V@ 4A SINGLE OUTPUT, DESKTOP UNIVERSAL INPUT, ITE, CLASS II FE	
MODEL NO: GT-21097-5012	REV. G
PART NO: TR9CE4000ML4-Y(R)	SHEET 2 OF 4

PROPRIETARY INFORMATION:

PROPRIETARY OF GLOBTEK, INC. ANY REPRODUCTION, DISCLOSURE OR USE OF THIS DRAWING, IN WHOLE OR IN PART, IS HEREBY PROHIBITED EXCEPT AS SPECIFIED IN WRITING BY GLOBTEK, INC.

4. LABEL:

MATERIAL: .007 (0.18) THICK FLAT THERMAL TRANSFER, IMPRINTABLE, BLACK POLYESTER SHEET WITH WHITE NOMENCLATURE.
MANUFACTURER: STEVEN LABEL, MATERIAL I.D. NO.3302-33, UL FILE NO. MH12821(N), UL MATERIAL DESIGNATION FILE NO. GHW332RL. OPTIONAL LABEL MATERIAL CAN BE SUBSTITUTED PROVIDING MATERIAL IS UL LISTED AND COMPLIES WITH APPLICABLE SAFETY REQUIREMENTS.



ACTUAL POSITIONING OF SYMBOLS AND TEXT IS SUBJECT TO CHANGE AT TIME OF MANUFACTURE

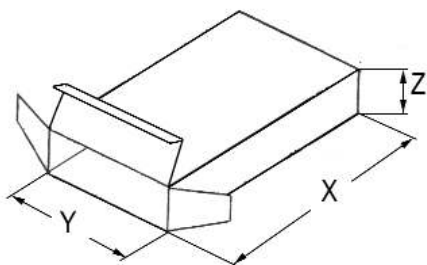


CAUTION: FOR INDOOR USE ONLY

ATTENTION: POUR UTILISATION A L'INTERUR SEULAMENT

5. INDIVIDUAL PACKING BOX:

MATERIAL: CORRUGATED FIBERBOARD, F-FLUTE 0.8 (2.0) THICK, DOUBLE WALL CONSTRUCTION.
EXTERNAL FINISH: WHITE, COATED WITH GLOSS FINISH (AQUEOUS OR VARNISH) STYLE: TUCK SIDES WITH LOCKING TABS ON BOTH SIDES OF BOX. NO PRINTING ON THE OUTSIDE OF BOX.



GlobTek, Inc. www.globtek.com		186 Veterans Dr. Northvale, NJ 07647 Tel. 201-784-1000 Fax 201.784.0111
DWG TITLE: SWITCHER , 48WATT, 12V@ 4A SINGLE OUTPUT, DESKTOP UNIVERSAL INPUT, ITE, CLASS II FE		
MODEL NO: GT-21097-5012		REV. G
PART NO: TR9CE4000ML4-Y(R)		SHEET 3 OF 4


PROPRIETARY INFORMATION:
 PROPRIETARY OF GLOBTEK, INC. ANY REPRODUCTION, DISCLOSURE OR
 USE OF THIS DRAWING, IN WHOLE OR IN PART, IS HEREBY
 PROHIBITED EXCEPT AS SPECIFIED IN WRITING BY GLOBTEK, INC.

CHINA RoHS SELF DISCLOSURE TABLE

Name and concentration of hazardous substance or element in product						
零件名 Name of part	Hazardous substance or element					
	铅 Pb	汞 Hg	镉 Cd	六价铬 Cr(VI)	多溴联苯 PBB	多溴联苯醚 PBDE
电源线 DC CABLE	X	O	O	O	O	O
插座 AC SOCKET	X	O	O	O	O	O
二极管 SMD ZENER	X	O	O	O	O	O

O: 表示该有害物质在该产品的所有均匀材料中的浓度均符合SJ/T 11363-2006标准的要求。
 O: refers to the concentration of this hazard substance in the all homogenous materials in this part is below the concentration limit as stipulated in the standard SJ/T 11363-2006.

X: 表示该有害物质至少在该产品的一个均匀材料中的浓度符合SJ/T 11363-2006标准的要求。
 X: refers to the concentration of this hazard substance at least in a homogenous material is higher than the concentration limit as stipulated in the standard SJ/T 11363-2006.

 GlobTek, Inc. www.globtek.com	186 Veterans Dr. Northvale, NJ 07647 Tel. 201-784-1000 Fax 201.784.0111
	DWG TITLE: SWITCHER, 48WATT, 12V@ 4A SINGLE OUTPUT, DESKTOP UNIVERSAL INPUT, ITE, CLASS II FE
MODEL NO: GT-21097-5012	REV. G
PART NO: TR9CE4000ML4-Y(R)	SHEET 4 OF 4