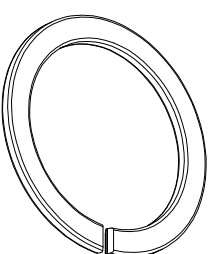
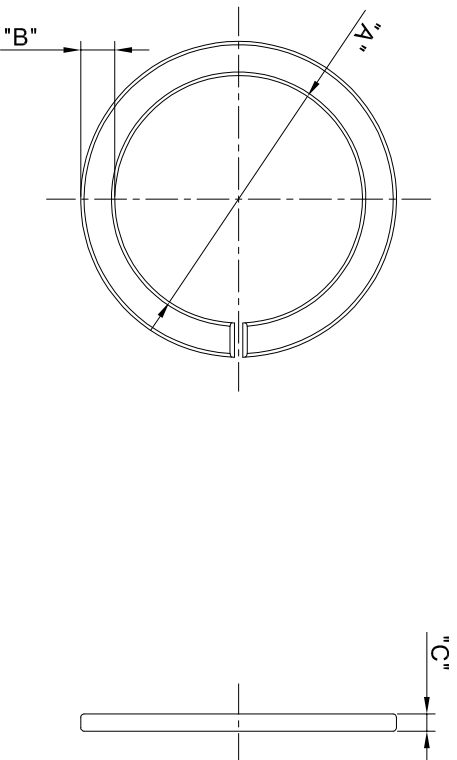


REVISIONS				
REV	ECO	DESCRIPTION	DATE	BY APPR
A1		FIRST RELEASED	Apr.05.2016	Drack Tommy
A2		UPDATE THE NOTES	Jul.20.2016	Drack Tommy
A3		ADD 16# & 18# PART	Nov.22.2017	Nick Tommy



SHELL	P/N	DIM A	DIM B	DIM C
8#	RTS8CCRX	Ø11.2	2.0	1.0
10#	RTS10CCRX	Ø14.5	2.0	1.0
12#	RTS12CCRX	Ø18.5	1.9	1.2
14#	RTS14CCRX	Ø21.7	1.9	1.8
16#	RTS16CCRX	Ø24.2	1.9	1.0
18#	RTS18CCRX	Ø27.6	1.9	1.0

"X" DENOTE COLOR:  
 WHEN "X"="G", GREEN, PANTONE 348C.  
 WHEN "X"="R", RED, PANTONE 194C.  
 WHEN "X"="Y", YELLOW, PANTONE 123C.

NOTES : (UNLESS OTHERWISE SPECIFIED)  
 1. MATERIAL : THERMOPLASTIC , UI94 V-0.

2. SPECIFICATIONS :  
 2.1. OPERATING TEMPERATURE : -40°C ~ 125°C.  
 2.2. ROHS COMPLIANT.

3. ALL DIMENSIONS ARE FOR REFERENCE USE ONLY.

QUANTITY	PART NUMBER	DESCRIPTION	ITEM
<b>MATERIALS LIST</b>			

UNLESS OTHERWISE SPECIFIED			
1) All dimensions are in millimeters.			
2) Tolerances are as follows:			
1 Pt. DEC 40.30	Fractions 1/16"	DRAWN: NIK	DATE: Nov.22.2017
3 Pt. DEC 40.08	Angles 1°	CREATED: Iod	NOV.22.2017
3) Note reference =		ENGINEER: Tommy	APPROVAL: Tommy
MATERIAL SPECIFICATIONS:		CUSTOMER: Eco-Mate	
PROCESS SPECIFICATIONS:			
THIS DRAWING IS SUPPLEMENTARY TO THE MAIN DRAWING. SPECIFICATIONS AND PERFORMANCE DATA ARE THE PROPERTY OF AMPHENOL CORPORATION. NO PARTS OR REPRODUCTION ARE PERMITTED. ALL MANUFACTURING VARIATIONS NORMAL.			
NEXT ASST:		SCALE: NONE	

ECO-MATE IDENTIFY RING		SIZE	TYPE	DWG NO.	REVISION
SIZE 08, 10, 12, 14, 16, 18		B	C-	RTSXCCRX	A3
Sine Systems - www.amphenol-sine.com		44724 Morley Drive		Clinton Township, MI 48036	

FILE:ECO-MATE\_IDENTIFY\_RING\_SIZE\_08,10,12,14,16,18

DWG NO:

RTSXCCRX

REV: A3

SH: 1

OF: 1