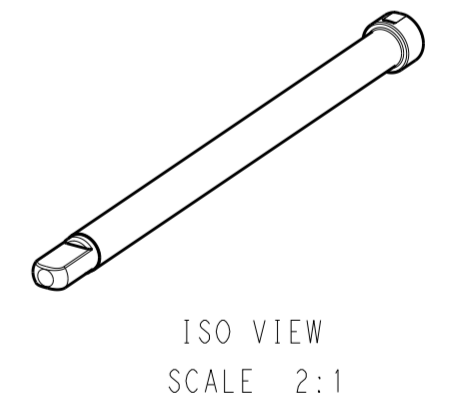
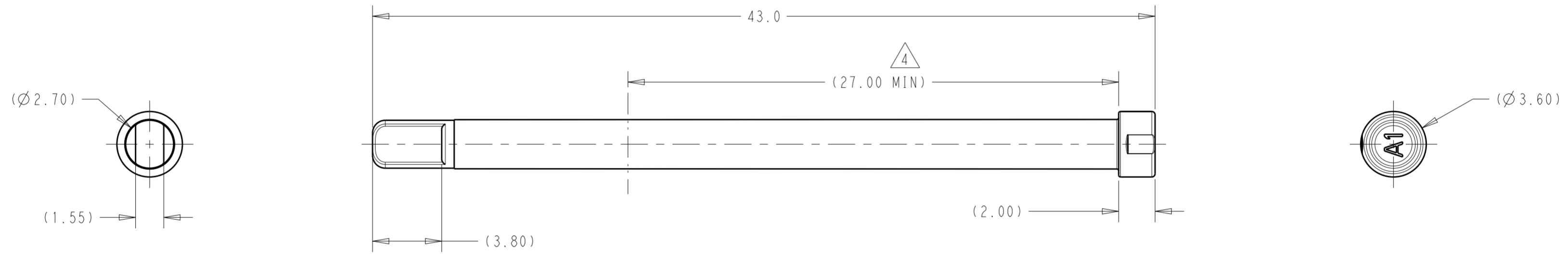


P	LTR	DESCRIPTION	DATE	DWN	APVD
A		REVISED PER ECO-20-015752	06NOV2020	AB	DW

1. PART NUMBER 2377195-1 AS SHOWN ON DRAWING.
2. MATERIAL: PBT, 15% GLASS FILLED.
COLOR: SEE TABLE
3. NOTE DELETED.
4. SEALING SURFACE IN THIS AREA.



NATURAL	CAVITY PLUG, MAT SEAL, MATE-AX, MALE	2377195-1
COLOR	DESCRIPTION	PART NO

THIS DRAWING IS A CONTROLLED DOCUMENT.		DWN A. BETGAR 28 JUL 2020	STE TE Connectivity	
DIMENSIONS: mm		CHK D. WISSLER 29 JUL 2020		
TOLERANCES UNLESS OTHERWISE SPECIFIED:		APVD D. BROWN 30 JUL 2020	NAME CAVITY PLUG, MAT SEAL, MATE-AX, MALE	
0 PLC ±	±0.4	PRODUCT SPEC	-	
1 PLC ±	±0.20	APPLICATION SPEC	-	
2 PLC ±	±	WEIGHT	-	
3 PLC ±	±	CUSTOMER DRAWING	SCALE 5:1 SHEET 1 OF 1 REV A	
4 PLC ±	±1°			
ANGLES ±				
FINISH				
MATERIAL	2		SIZE A2	CAGE CODE 00779
			DRAWING NO C-2377195	RESTRICTED TO -