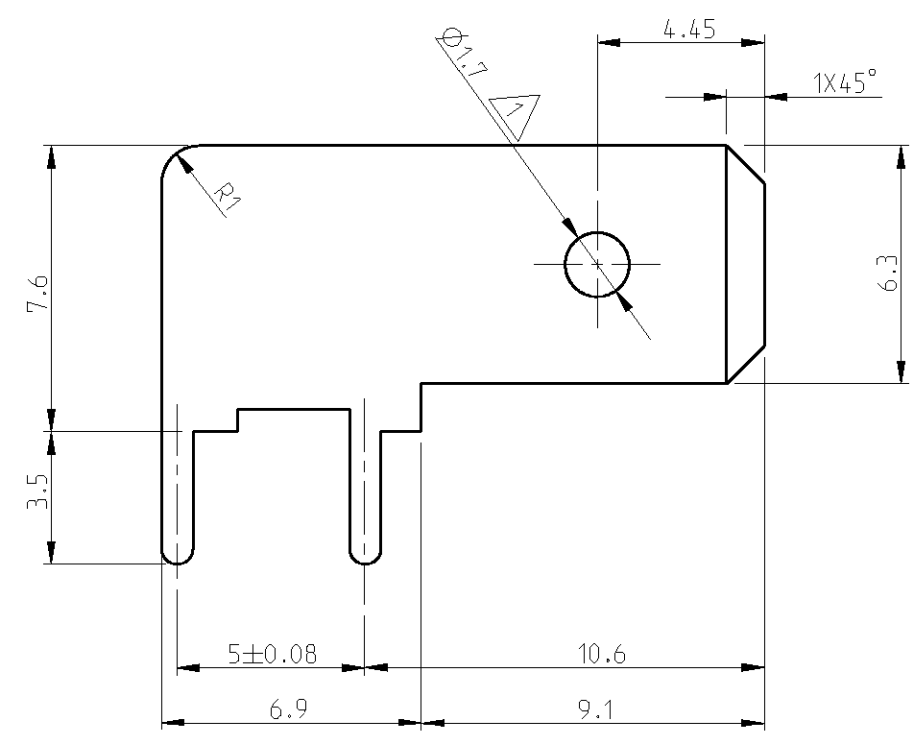
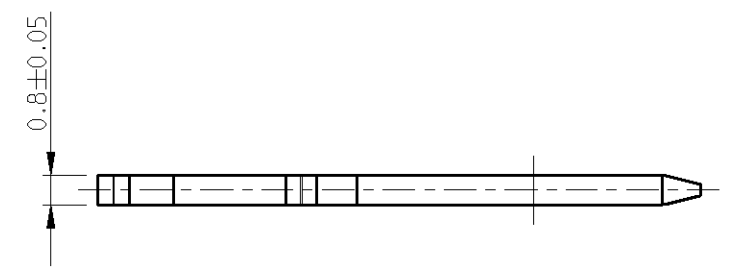


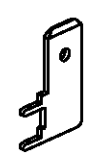
THIS DRAWING IS UNPUBLISHED. RELEASED FOR PUBLICATION
 © COPYRIGHT BY - ALL RIGHTS RESERVED.

LOC	DIST	REVISIONS				
P	LTR	DESCRIPTION	DATE	DWN	APVD	
A1	-					
	A2	REVISED PER ECO-11-005301	13APR11	RK	HMR	



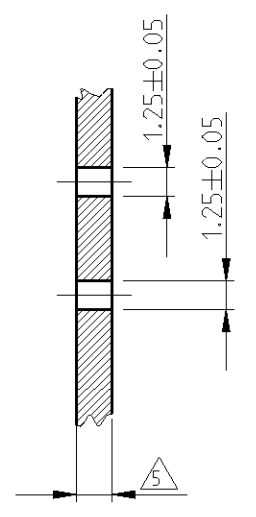
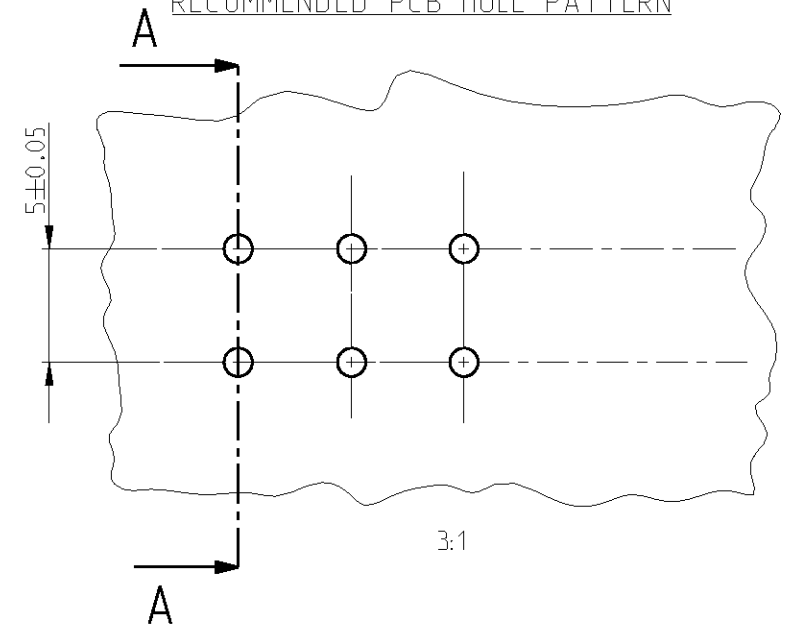
NOTES/BEMERKUNG

- 1 AUSFÜHRUNG 928814-4/-5/-6 OHNE LOCH
EXECUTION 928814-4/-5/-6 WITHOUT HOLE
- 2 3-7 µm Sn ÜBER 0.8 -1.5 µm Ni
3-7 µm Sn OVER 0.8-1.5 µm Ni
- 3 4-8 µm Sn
4-8 µm Sn
- 4 ANLIEFERUNGSZUSTAND: EINZELWARE IN VERSANDKARTON
DELIVERED STATE : LOOSE PIECE IN CORRUGATED SHIPPING BOX
- 5 LEITERPLATTENDICKE NACH EN 60249-2-4. TABELLE 3
PCB-THICKNESS TO EN 60249-2-4. TABLE 3
- 6 OBSOLETE



SCALE 1:1

EMPFOHLENES LEITERPLATTEN LOCHBILD
RECOMMENDED PCB HOLE PATTERN



1	FINISH	MATERIAL	PART NO	REV
	BLANK	Cu Zn 30	928814-6	A
			928814-5	A
			928814-4	A
	BLANK		928814-3	A
			928814-2	A
		Cu Zn 30	928814-1	A

DWN Dhanesh 06-Sep-07			
CHK W.Hoffman 04-Okt-07			
APVD Gerlach		NAME	
PRODUCT SPEC		SOLDER TAB 6.3x0.8 FOR PCB	
APPLICATION SPEC		RESTRICTED TO	
MATERIAL SEE TABLE		SIZE A3	CAGE CODE C=928814
TOLERANCES UNLESS OTHERWISE SPECIFIED: ±0.2		DRAWING NO	
PLC 1 PLC ±0.2		SCALE 2:1	
PLC 2 PLC ±2°		SHEET 1 OF 1	
PLC 3 PLC		REV A2	
ANGLES FINISH SEE TABLE		CUSTOMER DRAWING	