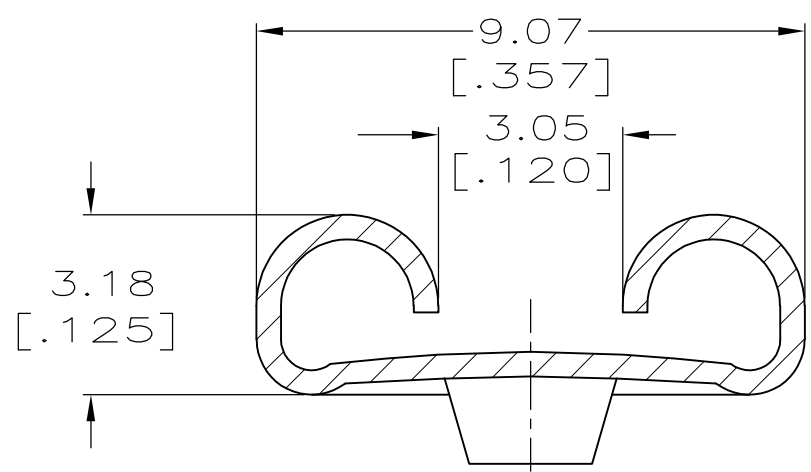
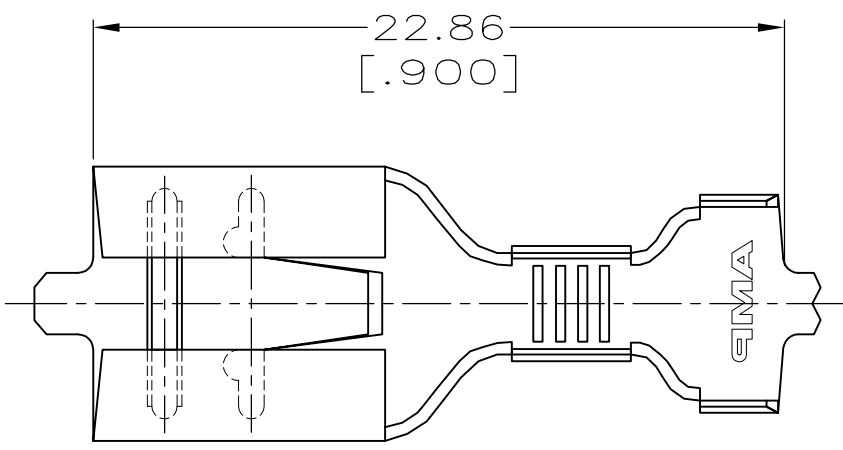


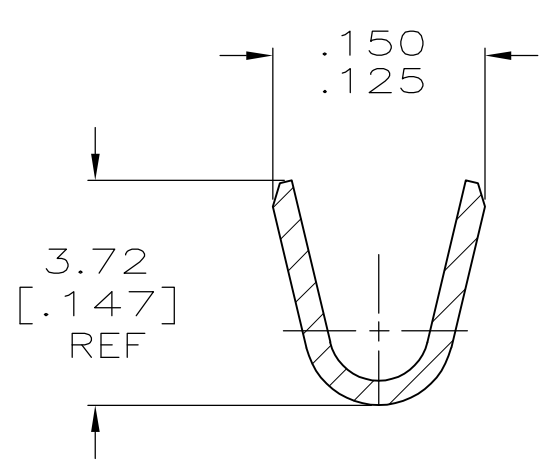
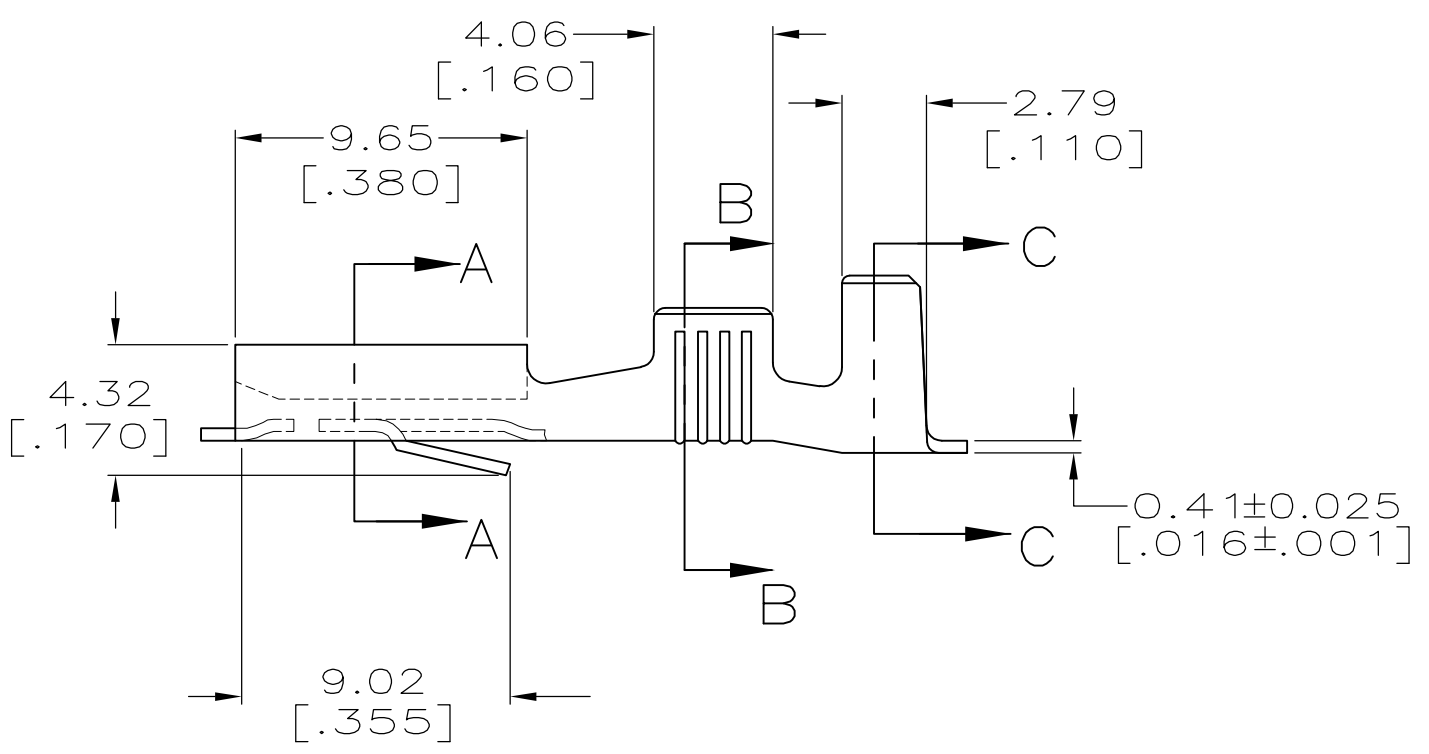
THIS DRAWING IS UNPUBLISHED. RELEASED FOR PUBLICATION  
 © COPYRIGHT - By - ALL RIGHTS RESERVED.

LOC	DIST	REVISIONS					
AF	50	P	LTR	DESCRIPTION	DATE	DWN	APVD
		D		REVISED PER ECR-13-005733	29AUG2013	KH	PD

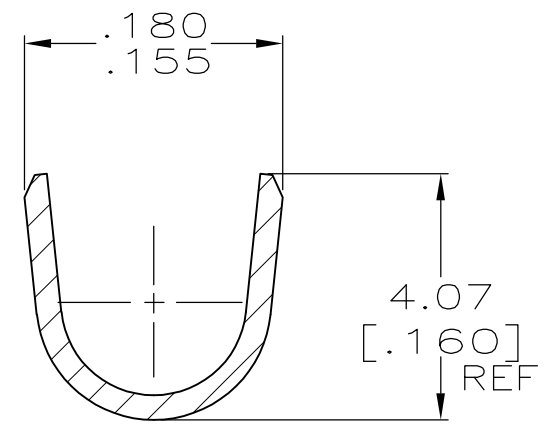


SECTION A-A  
SCALE 8:1

- CONTINUOUS STRIP ON REELS.
- MATING TAB THK TO BE  $0.81 \pm 0.025$  [.032  $\pm$  .001].
- WIRE SIZE IS [#18-#14] AWG.
- INSULATION RANGE IS 2.29-3.30 [.090-.130] DIA.



SECTION B-B  
SCALE 8:1



SECTION C-C  
SCALE 8:1

62392-1  
PART NO.

0	3.56 [.140]	5.59 [.220]	F	2.79 [.110]	1.85 [.073] [#14]	
					1.62 [.064] [#16]	
					1.47 [.058] [#18]	
TYPE	WIDTH	STRIP LENGTH $\pm 0.38$ $\pm [0.015]$	TYPE	WIDTH	$\pm 0.051 [0.002]$ HEIGHT	WIRE
INSUL BARREL CRIMP			WIRE BARREL CRIMP			

THIS DRAWING IS A CONTROLLED DOCUMENT.

DIMENSIONS: mm [INCHES]

TOLERANCES UNLESS OTHERWISE SPECIFIED:

0 PLC	$\pm$
1 PLC	$\pm$
2 PLC	$\pm 0.38 [0.015]$
3 PLC	$\pm$
4 PLC	$\pm$
ANGLES	$\pm 1^\circ$
FINISH	-

MATERIAL: BRASS

DWN: JR RUTH 6/18/97  
 CHK: MS FEHER 6/18/97  
 APVD: J GILLESPIE 6/18/97

PRODUCT SPEC: -  
 APPLICATION SPEC: 114-2065  
 WEIGHT: -

CUSTOMER DRAWING

**STE** TE Connectivity

NAME: RECEPTACLE, FASTIN-FASTON, 7.92 [.312] SERIES

SIZE: A3	CAGE CODE: 00779	DRAWING NO: C-62392	RESTRICTED TO: -
SCALE: 4:1		SHEET: 1 OF 1	REV: D