

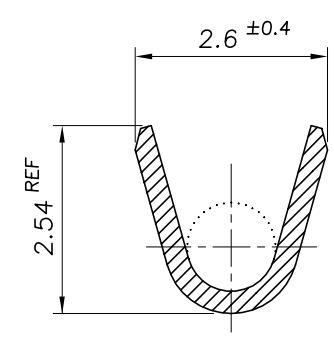
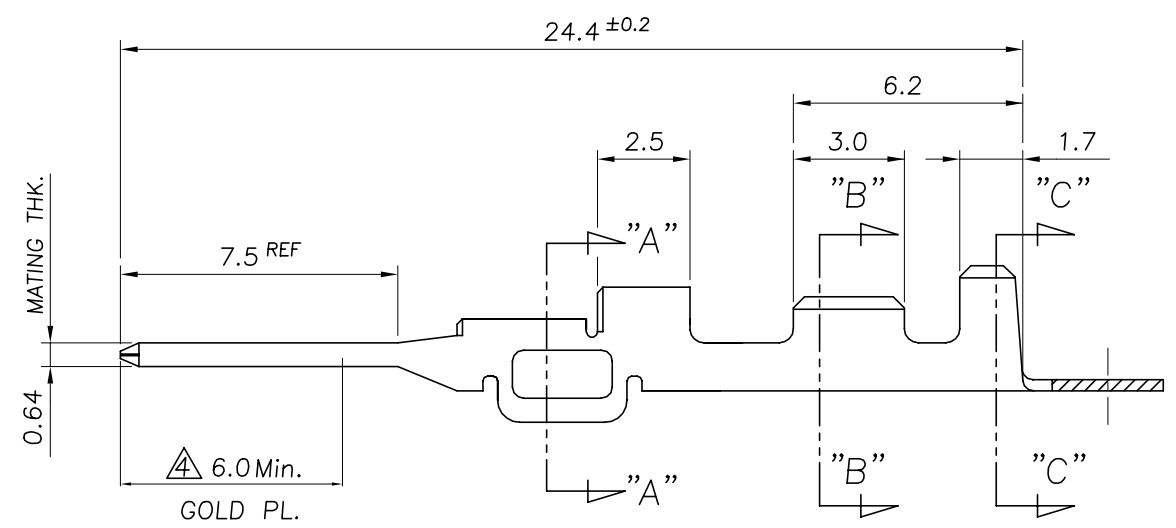
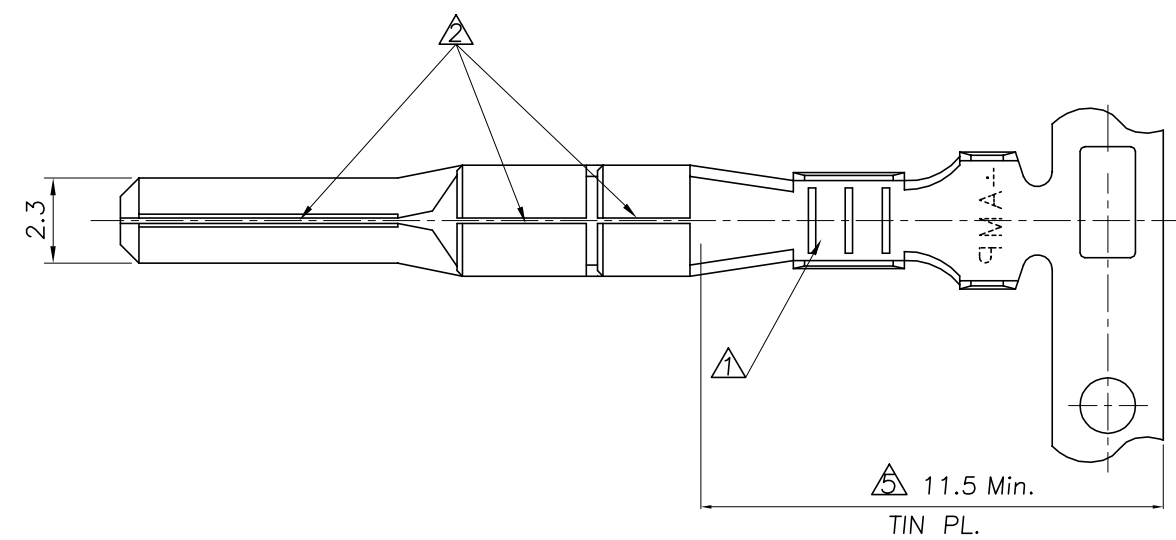
4

3

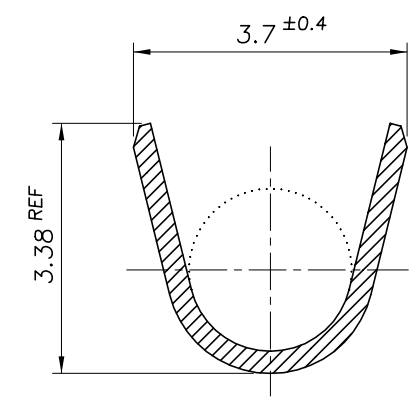
2

1

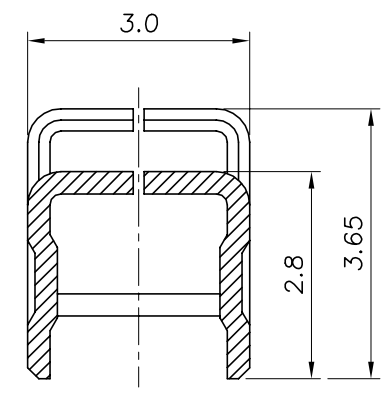
REVISIONS					
P	LTR	DESCRIPTION	DATE	DWN	APVD
	C	REVISED (ECR-23-163501)	10/JAN/23	JW	KT



SECTION "B-B"  
SCALE=10/1



SECTION "C-C"  
SCALE=10/1



SECTION "A-A"  
SCALE=10/1

\* NOTES

- △ THREE SERRATIONS CENTERED IN WIRE BARREL.
- △ 0.15 MAX GAP PERMISSIBLE.
- 3 WIRE SIZE EQUIV CAVUS 0.3 ~ AVS 0.5 sqmm.

4/5 SELECTIVE GOLD PRE-TINNED	BRASS STRIP 0.30THK.	1- 368088 -1
	FINISH	MATERIAL

THIS DRAWING IS A CONTROLLED DOCUMENT.		DWN : JG MOON		TE Connectivity				
DIMENSIONS:		CHK : BM JANG						
	TOLERANCES UNLESS OTHERWISE SPECIFIED:	APVD : CS LEE		NAME				
	0 <XX<10 ± 0.2	PRODUCT SPEC		.090 II MLC TAB CONTACT				
	10 ≤ XX < 30 ± 0.25	108-61021						
ANGLES ± 3°	APPLICATION SPEC		SIZE		CAGE CODE	DRAWING NO	RESTRICTED TO	
MATERIAL	FINISH	WEIGHT		A3	00779	C- 3 6 8 0 8 8	-	
-	-	NET; 0.33gf		CUSTOMER DRAWING		SCALE 5/1	SHEET 1 OF 1	REV C