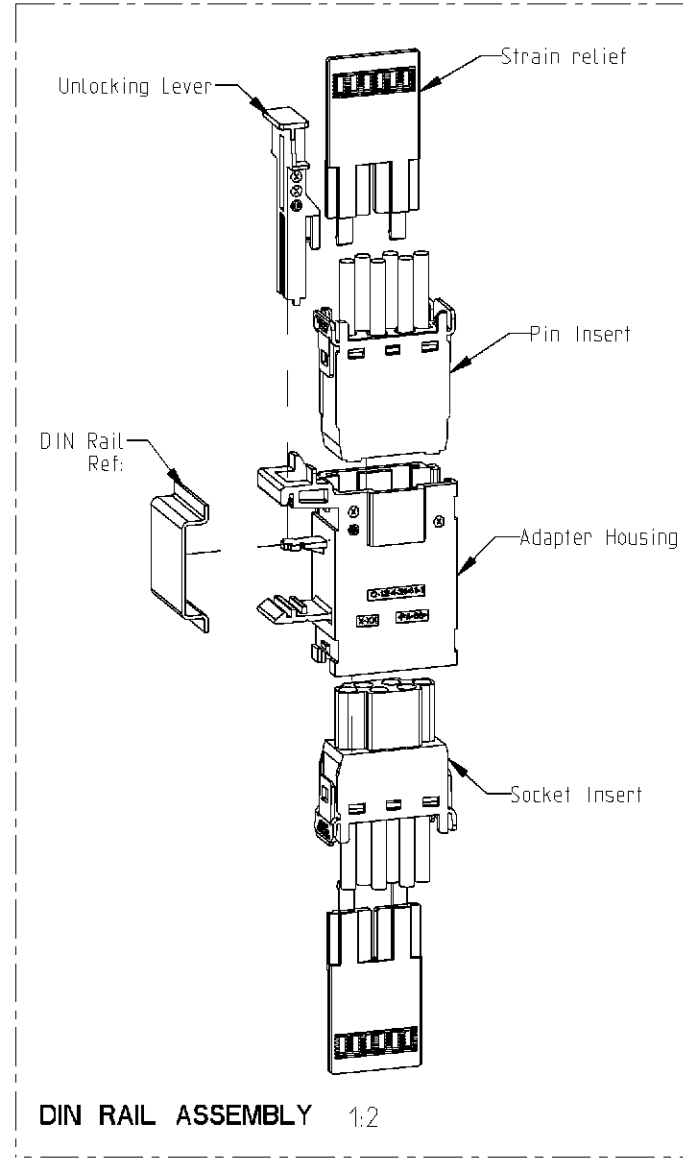
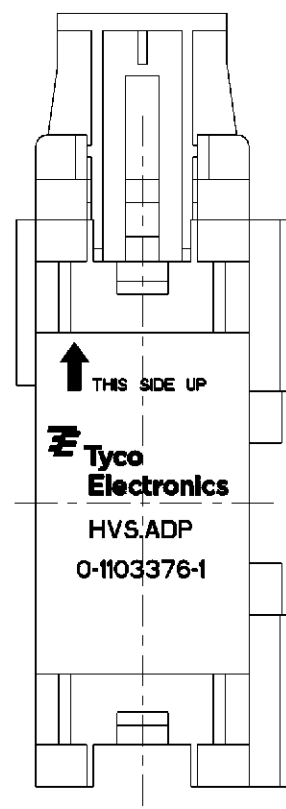
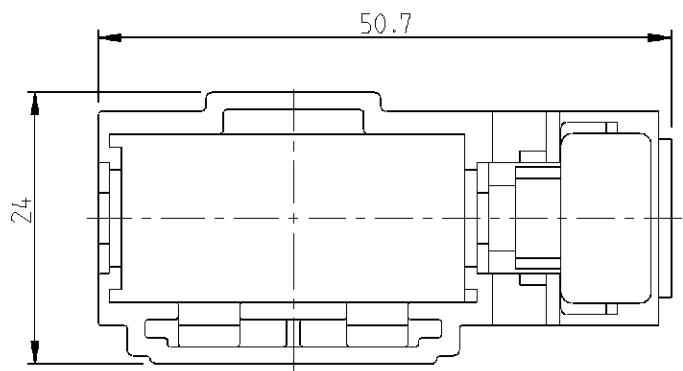
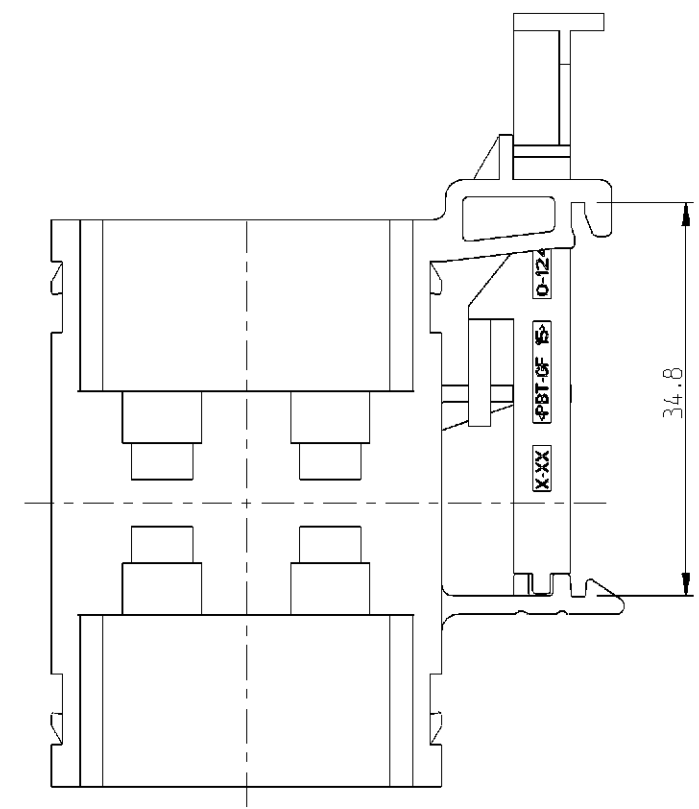
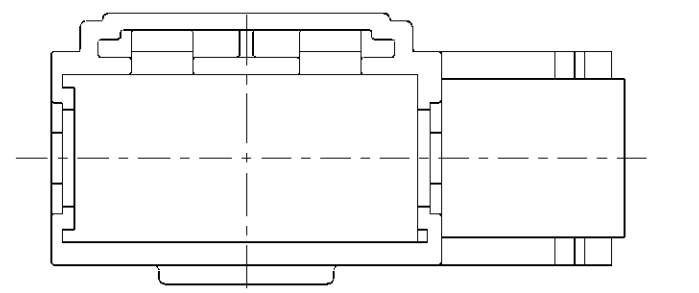


THIS DRAWING IS UNPUBLISHED. RELEASED FOR PUBLICATION

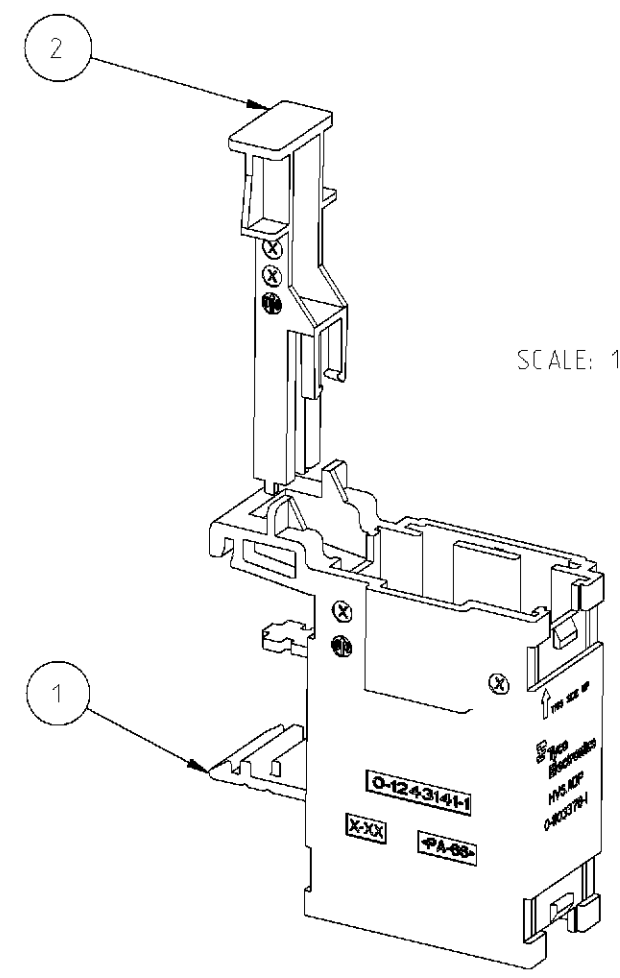
© COPYRIGHT 19 BY TYCO ELECTRONICS CORPORATION. ALL RIGHTS RESERVED.

LOC	DIST	REVISIONS			
P	LTR	DESCRIPTION	DATE	DWN	APVD
A1	-	C1 RELEASED AS PER ECR-07-023824	28-SEP-07	PB	ST

- NOTES:
- 1 PACKAGING QTY: 10 PCS. IN BOX
  - 2 SUITABLE CONNECTOR : HVS.HE.6.Sti/Bu.C
  - 3 STANDARDS:  
DIN EN 61984; DIN EN 60664-1



DIN RAIL ASSEMBLY 1:2



SCALE: 1:1

PN: 0-1  
ORDERING TEXT: HVS.ADP

QTY	DESCRIPTION	MATERIAL	SURFACE	COLOR	ITEM
1	UNLOCKING LEVER	PBT	VDI 3400-24	LIGHT GREY	2
1	ADAPTER HOUSING	PA-66	VDI 3400-24	LIGHT GREY	1

<small>THIS DRAWING IS A CONTROLLED DOCUMENT FOR TYCO ELECTRONICS CORPORATION IT IS SUBJECT TO CHANGE AND THE CONTROLLING ENGINEERING ORGANISATION SHOULD BE CONTACTED FOR THE LATEST REVISION.</small>		<b>Tyco Electronics</b> Tyco Electronics AMP GmbH D-53819 Neunkirchen	
DIMENSIONS: mm		NAME HVS MODULE - HVS.ADP ADAPTER HOUSING ASSY	
TOLERANCES UNLESS OTHERWISE SPECIFIED: 0 PLC ±0.5 1 PLC ±0.13 2 PLC ±0.013 3 PLC ±0.0001 4 PLC ANGLES ±		PRODUCT SPEC 108-74093 APPLICATION SPEC 114-74099	
MATERIAL 4		FINISH 5	
WEIGHT CUSTOMER DRAWING		SIZE A3	
SCALE 2:1		SHEET 1 OF 1	
DRAWING NO C=1103376		RESTRICTED TO -	
REV C1		REV C1	