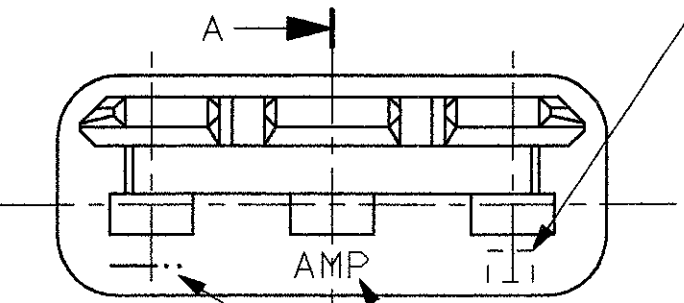


A
B
C
D
E

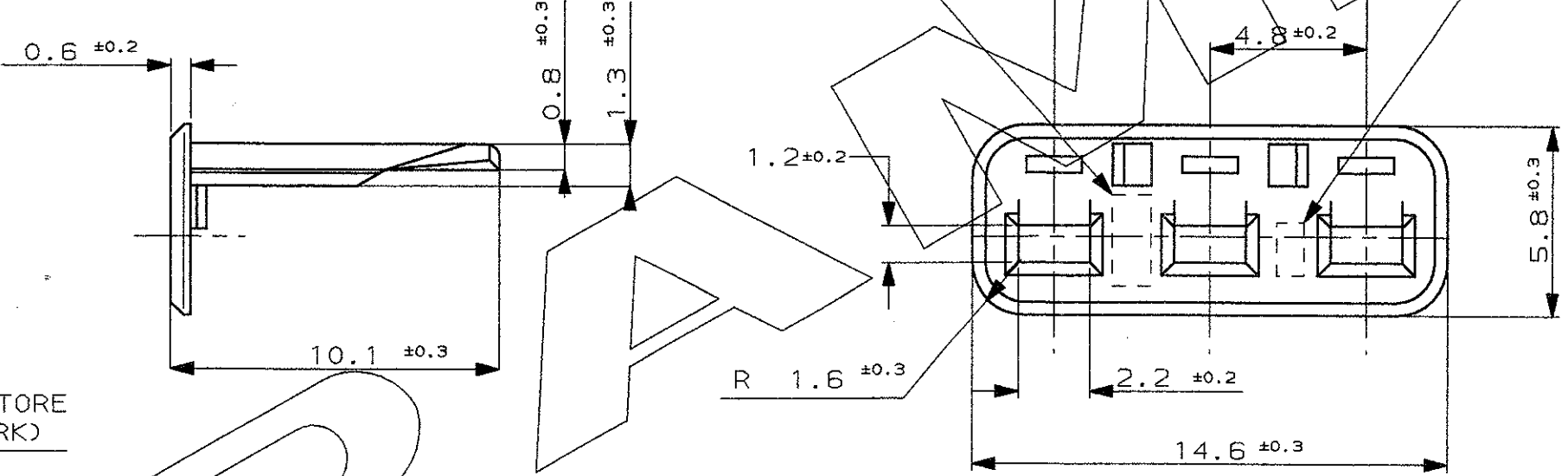
IDENTIFICAZIONE CAVITA' DI STAMPO
(MOULD CAVITY IDENTIFICATION NUMBER)



MARCHIO PRODUTTORE
(AMP TRADE MARK)

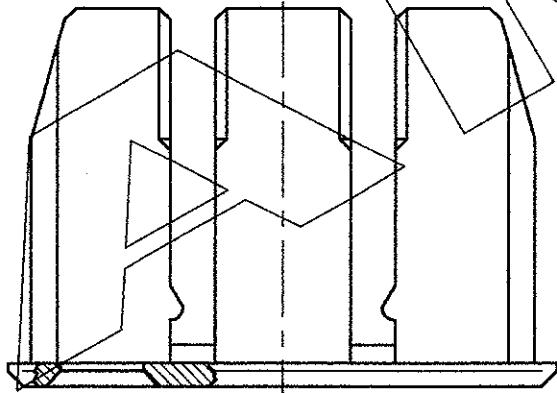
CODICE FORNITORE
(SUPPLIER CODE)

DATARIO
(DATE CODE)



1) DA USARE CON BLOCCHETTO 3 VIE P/N 282703-1
(TO BE MATED WITH PLUG HOUSING ASS'Y P/N 282703-1).

SEZIONE A-A
(SECTION A-A)



ROSSO (RED)	PBT NATURALE (PBT UNFILLED)	282706-1
-FINITURA / COLORE (FINISH / COLOUR)	MATERIALE (MATERIAL)	NUMERO (PART NUMBER)

CUSTOMER DWG. FOR REFERENCE ONLY
DISEGNO PER CLIENTE SOLO PER RIFERIMENTO

THIS DRAWING IS UNPUBLISHED		RELEASE FOR PUBLICATION	19
© COPYRIGHT 19 BY AMP INCORPORATED, HARRISBURG, PA. ALL INTERNATIONAL RIGHT RESERVED. AMP PRODUCTS MAY BE COVERED BY U.S. AND FOREIGN PATENT AND/OR PATENT PENDING.			
TOLLERANZE, SE NON DIVERSAMENTE SPECIFICATO (TOLERANCES, UNLESS OTHERWISE SPECIFIED)	DIAM. ISOLANTE (INS. DIA. RANGE)	RANGO FILO (WIRE RANGE)	SCALA (SCALE)
± 0.3	-	-	5:1
ANGOLI (ANGLES)	AMP AMP ITALIA S.p.A. Corso F.lli Cervi, 15 COLLEGNO (TORINO)		
DIS. 07 JUL 95 (DR.)	DESCRIZIONE (DESCRIPTION) 3 POS. DOUBLE LOCK PLATE FOR PLUG HSG ECONOSEAL J-MKII+ CONN.		

REV.	DIS. DATA (DATE)	APP. (APP.)	LOC. SIZE NUMERO (DWG NO)	REV.	FOGLIO (SHEET)
B	28 FEB 96	A.F.	I A3 C-282706	B	1
A	12-9 95	A.B.			
REVISIONI (REVISION RECORD)					

DISTRIBUZIONE
(PRINT DIST.)