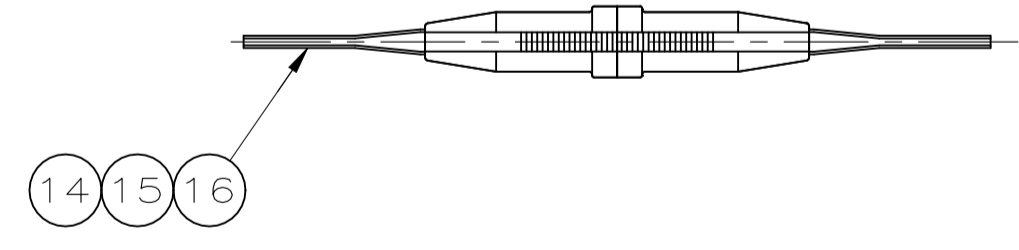
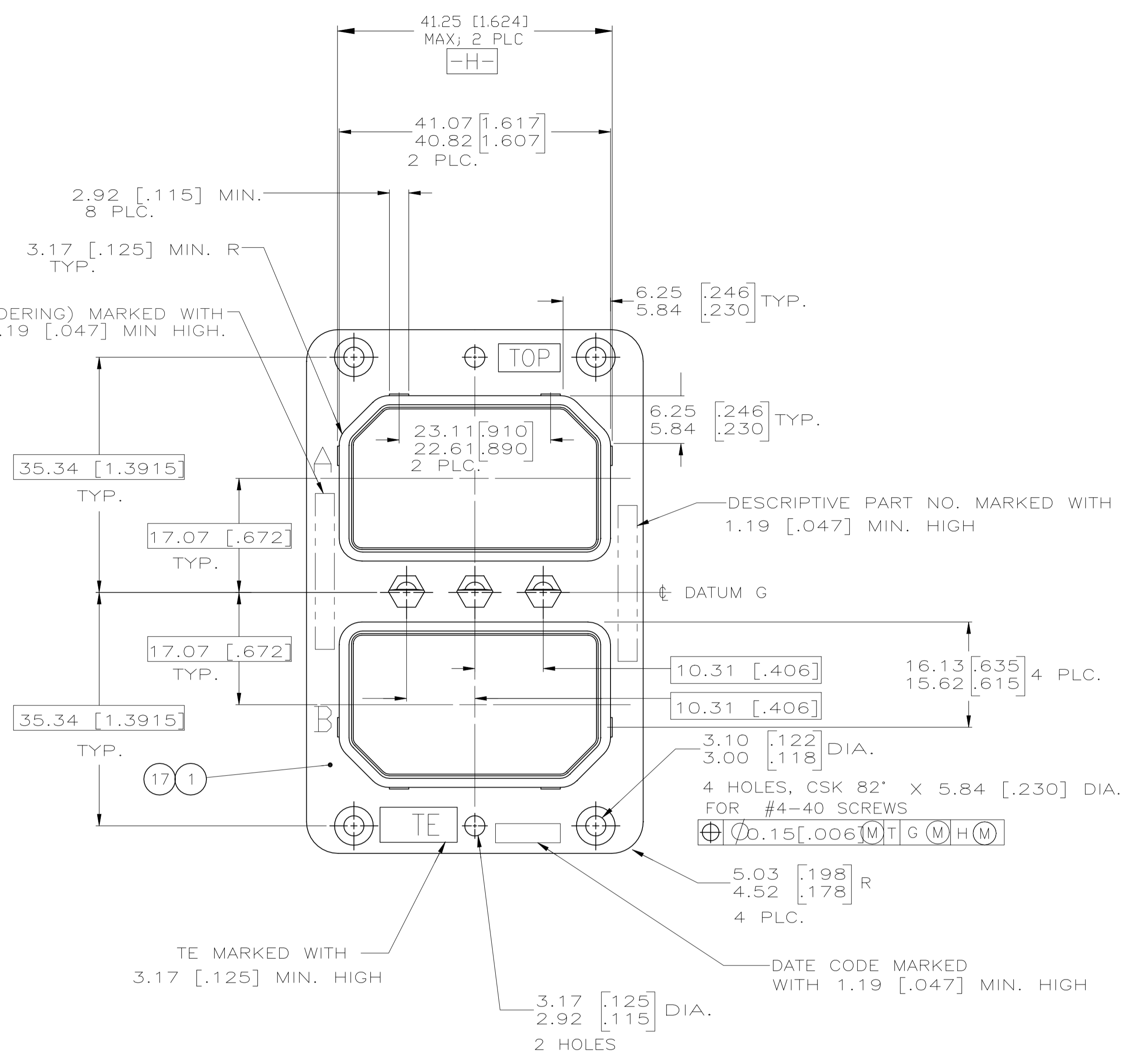
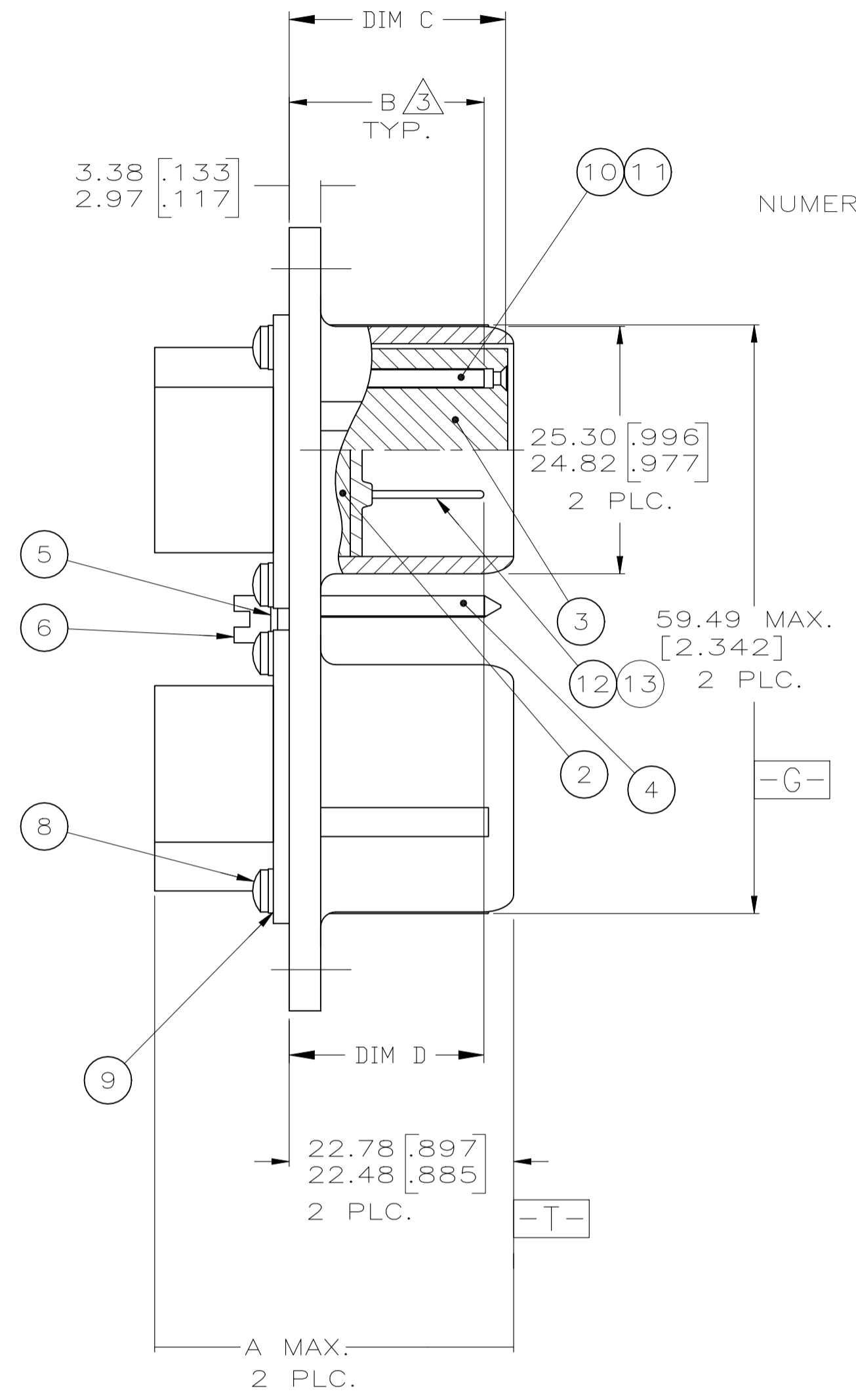
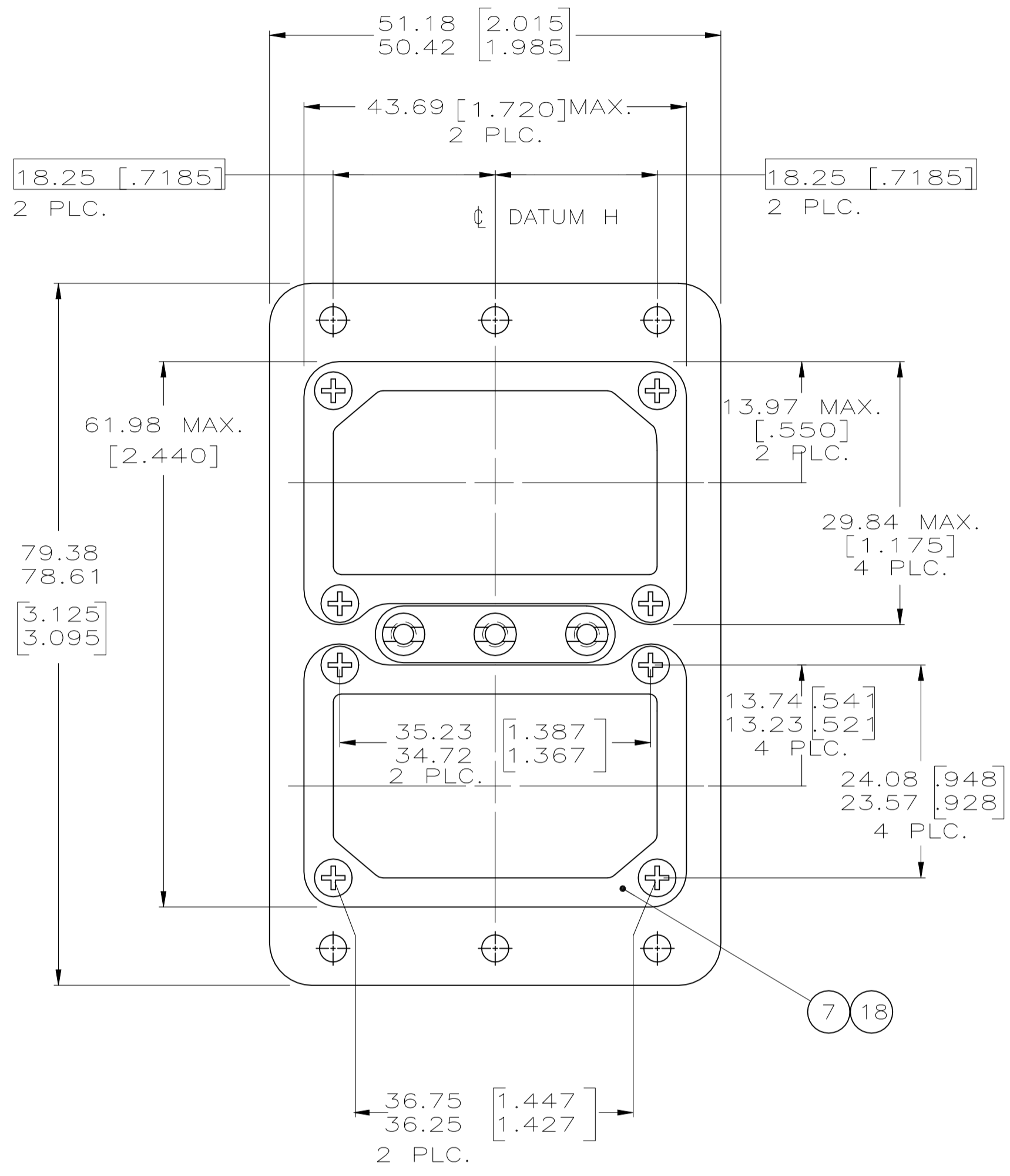




REVISIONS				
P	LTR	DESCRIPTION	DATE	BY
-	SEE SHEET 1			



THIS DRAWING IS A CONTROLLED DOCUMENT.		DIN MARK HOFFECKER 3-11-87	TE Connectivity Ltd.	
DIMENSIONS: INCHES	TOLERANCES UNLESS OTHERWISE SPECIFIED:	CHK LARRY LAWNER 3-11-87	APVD LARRY LAWNER 3-11-87	NAME
0 PLC ± .005	1 PLC ± .002	PRODUCT SPEC		
2 PLC ± .001	3 PLC ± .0005	APPLICATION SPEC		
4 PLC ± .0002	ANGLES ± 0°30'	SIZE	CAGE CODE	DRAWING NO
MATERIAL SEE TABLE	FINISH SEE TABLE	WEIGHT 0	A1 00779	213437
CUSTOMER DRAWING			SCALE NTS	SHEET 2 OF 2 REV F