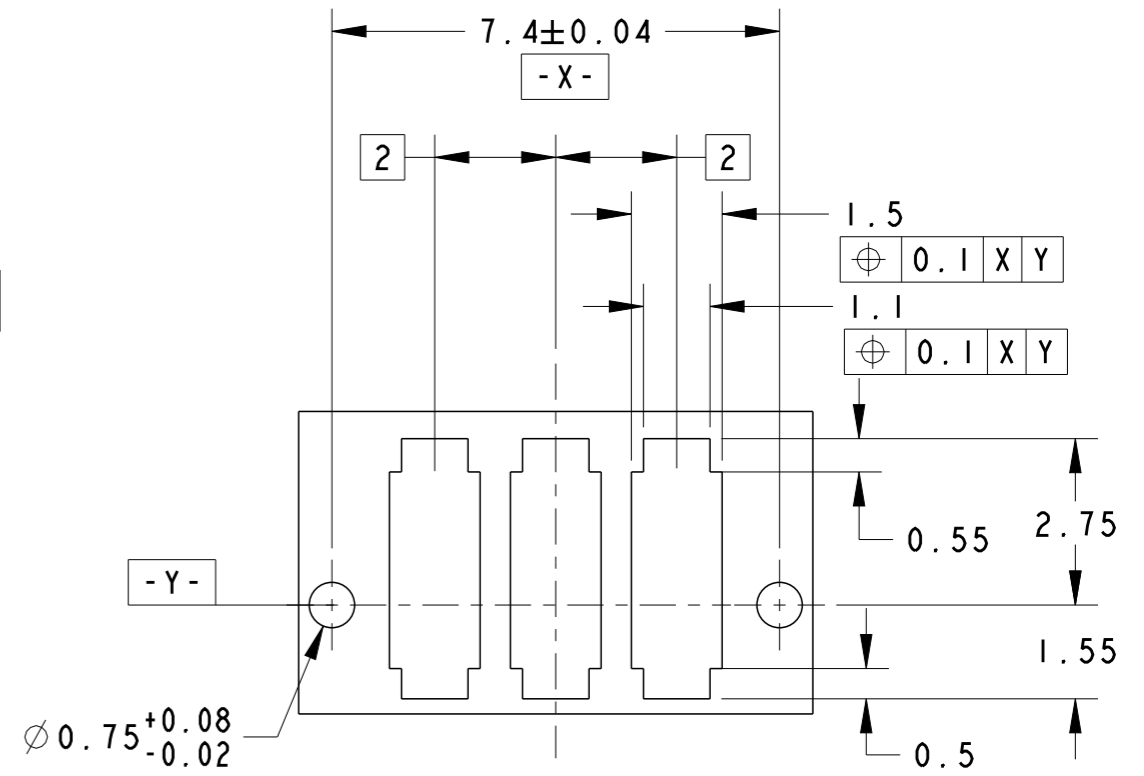
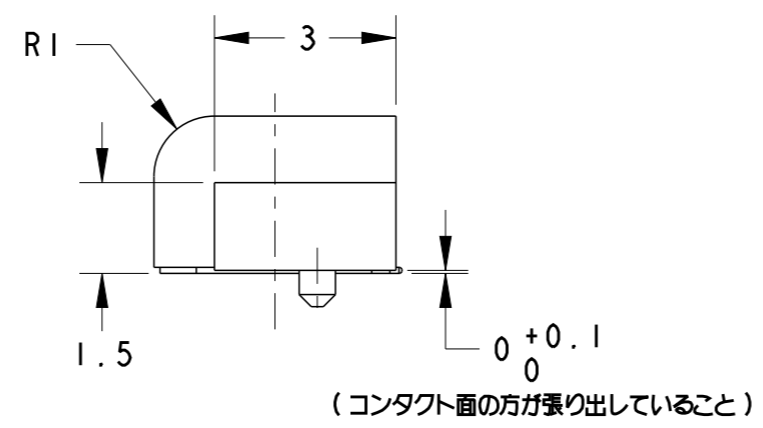
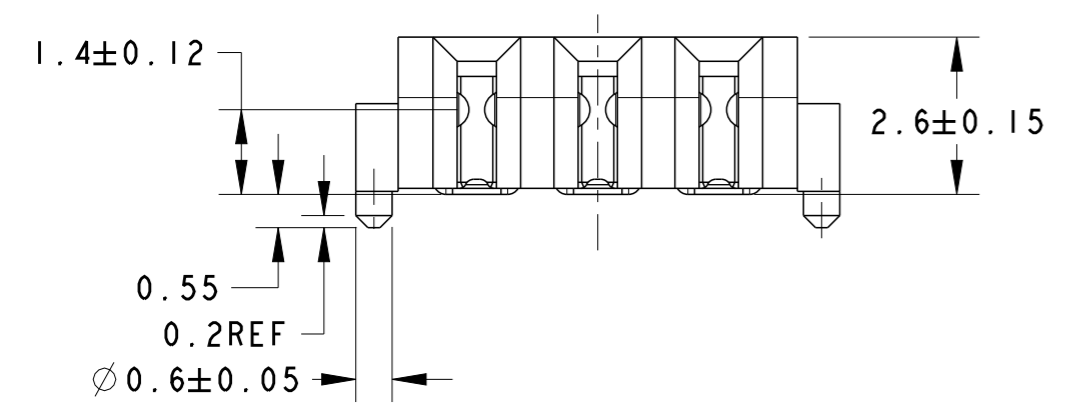
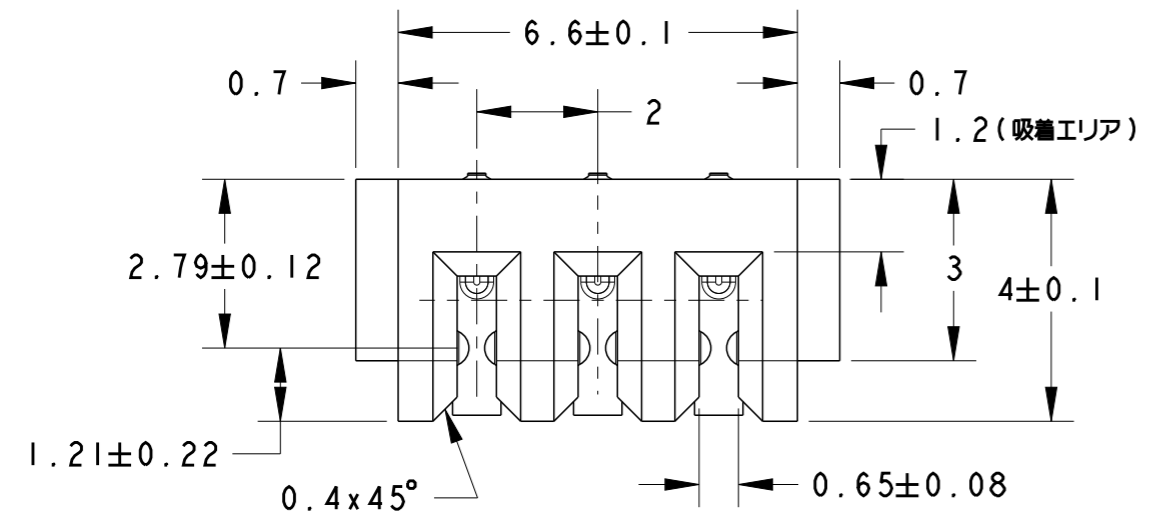
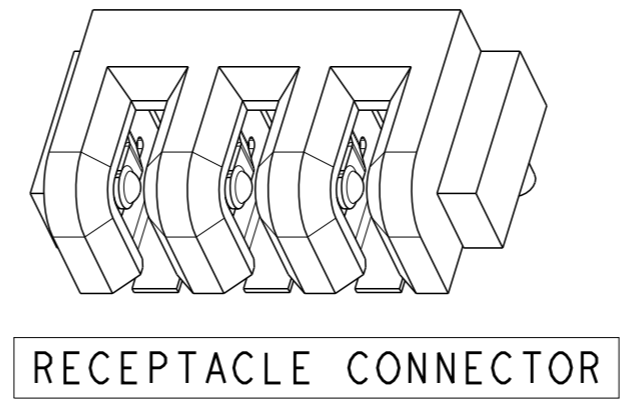


THIS DRAWING IS UNPUBLISHED. RELEASED FOR PUBLICATION 20
 © COPYRIGHT 2002 BY TYCO ELECTRONICS CORPORATION. ALL RIGHTS RESERVED.

LOC	DIST	REVISIONS			
P	LTR	DESCRIPTION	DATE	DWN	APVD
J	-	B	REVISED	30MAR2010	Y. H Y. N

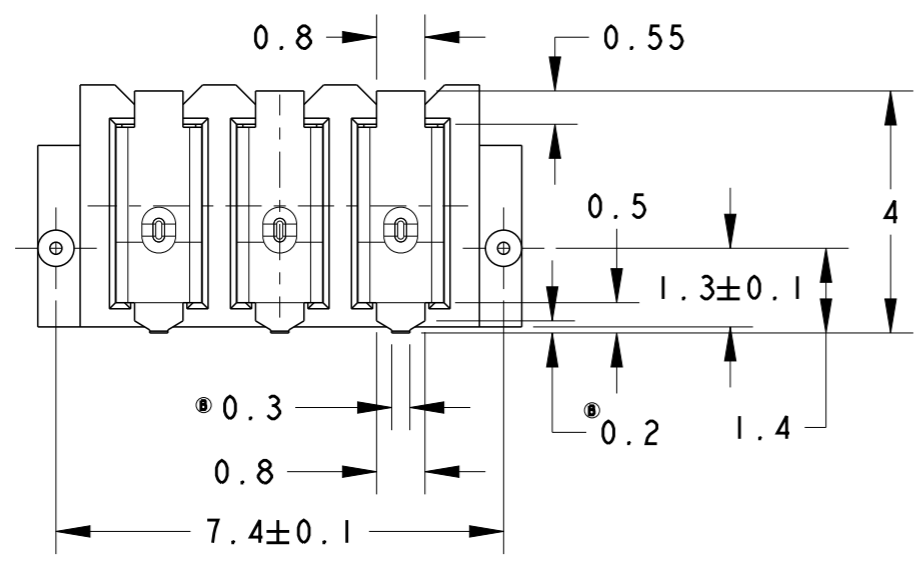
- 1 ; 本図
 - 1 ; AS SHOWN



RECOMMENDED PCB LAYOUT (TOLERANCES; ±0.05)

- 1 材料
ハウジング; 熱可塑性樹脂, UL 94V-0, 黒
コンタクト; 銅合金
- 2 仕上げ
コンタクト; 全面ニッケル下地めっき
接触部; 金めっき
半田付け部; 金フラッシュ

- 1 MATERIAL
HOUSING; THERMOPLASTIC RESIN, UL94V-0, BLACK
CONTACT; COPPER ALLOY
- 2 FINISH
CONTACT; ALL OVER Ni UNDER PLATING.
CONTACT AREA; GOLD PLATING
SOLDERING AREA; GOLD FLASH



THIS DRAWING IS A CONTROLLED DOCUMENT FOR TYCO ELECTRONICS CORPORATION
 IT IS SUBJECT TO CHANGE AND THE CONTROLLING ENGINEERING ORGANIZATION
 SHOULD BE CONTACTED FOR THE LATEST REVISION.

DIMENSIONS:		TOLERANCES UNLESS OTHERWISE SPECIFIED:	
mm			
0 PLC	±0.2	0 PLC	±0.2
1 PLC	±0.2	1 PLC	±0.2
2 PLC	±0.2	2 PLC	±0.2
3 PLC	±0.2	3 PLC	±0.2
4 PLC	±0.2	4 PLC	±0.2
ANGLES	±2	FINISH	

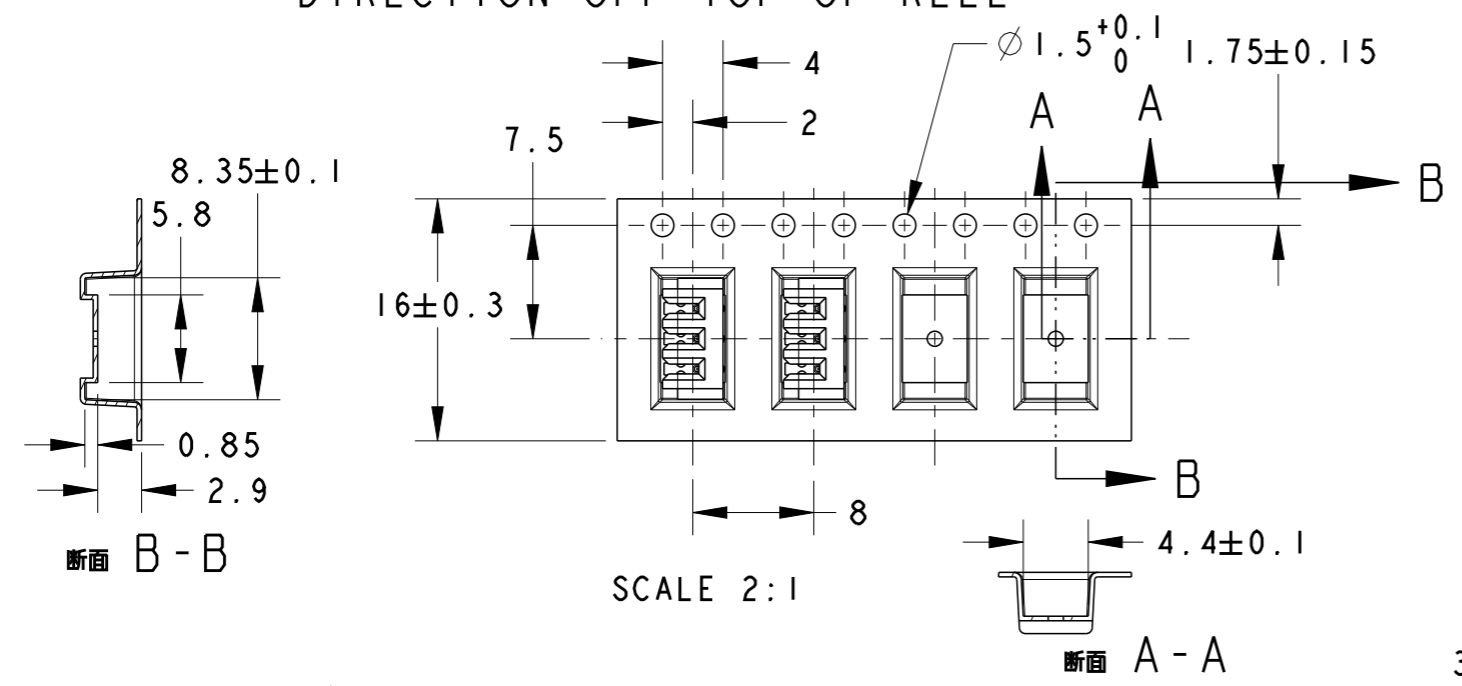
DWN	20SEP2002
C. OHASHI	
CHK	25SEP2002
K. Ikegami	
APVD	25SEP2002
K. KODAIRA	
PRODUCT SPEC	108-5846
APPLICATION SPEC	
WEIGHT	0.12g

Tyco Electronics Corporation. Kawasaki, Japan		NAME	
BATTERY BLOCK CONNECTOR RECEPTACLE ASSY 3POS 2MM PITCH		RESTRICTED TO	
SIZE	CAGE CODE	DRAWING NO	
A3	00779	C-1612901	
CUSTOMER DRAWING		SCALE	SHEET 1 OF 2
		8/1	REV B

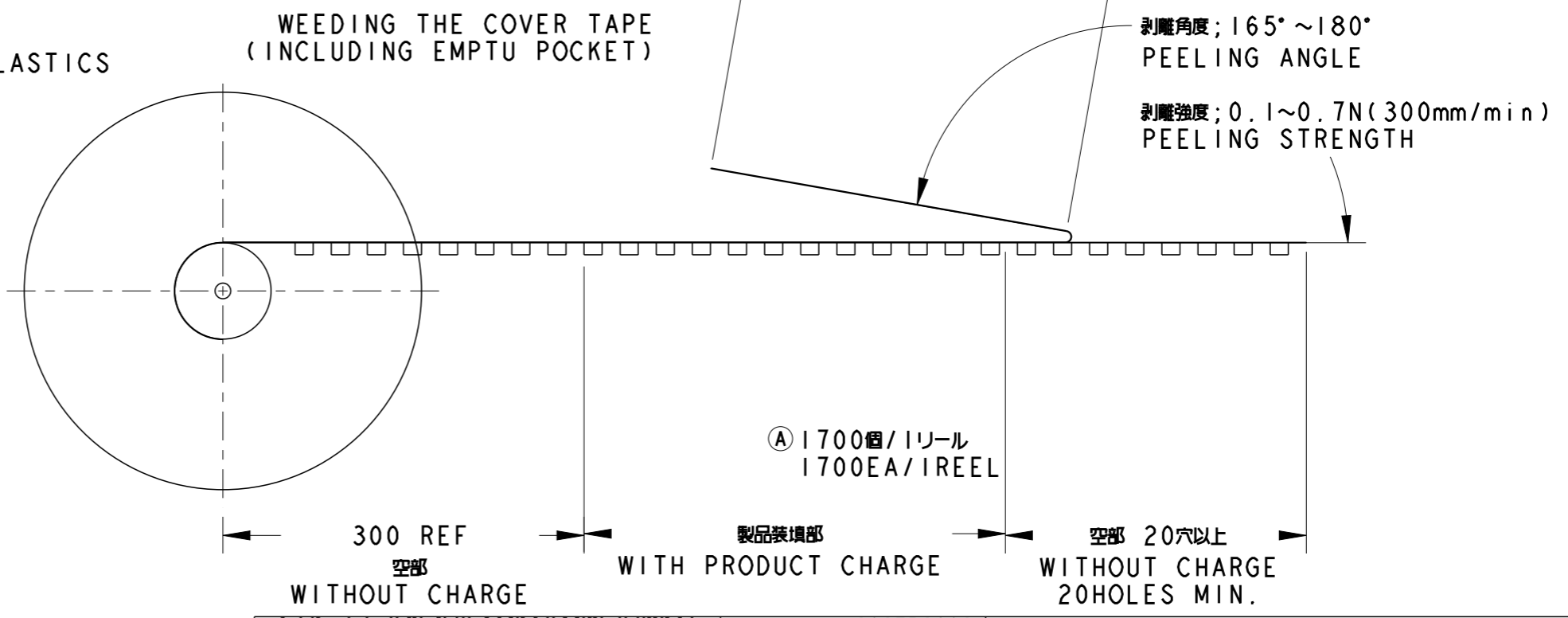
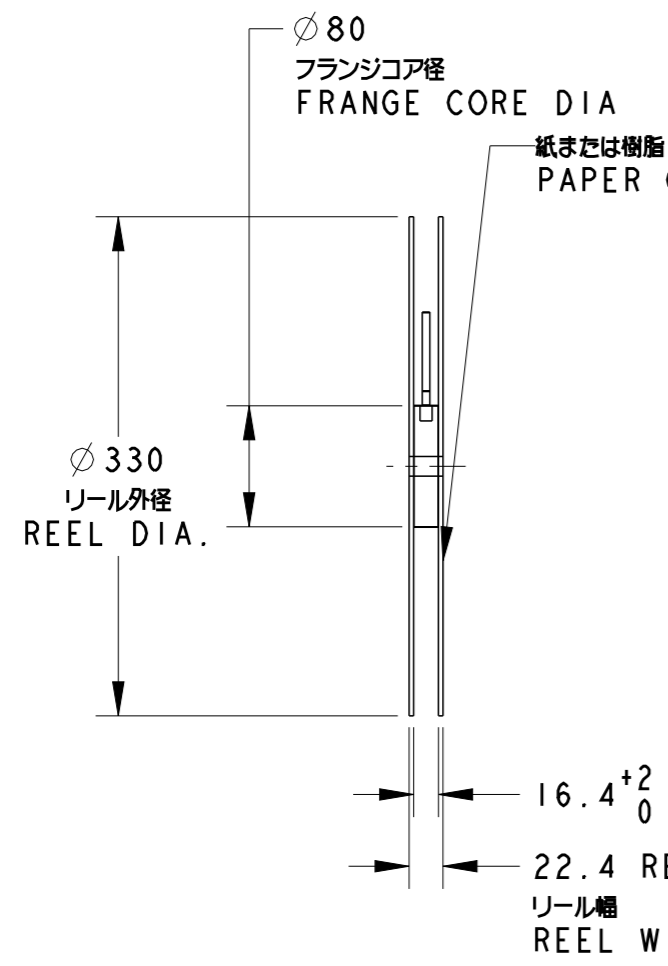
THIS DRAWING IS UNPUBLISHED. RELEASED FOR PUBLICATION 20
 © COPYRIGHT 2002 BY TYCO ELECTRONICS CORPORATION, ALL RIGHTS RESERVED.

LOC	DIST	REVISIONS			
P	LTR	DESCRIPTION	DATE	DWN	APVD
J	-	SEE SHEET 1	-	-	-

テープ引き出し方向
 DIRECTION OFF TOP OF REEL



SCALE 2:1



<small>THIS DRAWING IS A CONTROLLED DOCUMENT FOR TYCO ELECTRONICS CORPORATION IT IS SUBJECT TO CHANGE AND THE CONTROLLING ENGINEERING ORGANIZATION SHOULD BE CONTACTED FOR THE LATEST REVISION.</small>		DWN 20SEP2002 C. OHASHI CHK 25SEP2002 K. IKEGAMI APVD 25SEP2002 K. KODAIRA PRODUCT SPEC 108-5846 APPLICATION SPEC		Tyco Electronics Tyco Electronics Corporation. Kawasaki, Japan	
DIMENSIONS: mm 		TOLERANCES UNLESS OTHERWISE SPECIFIED: 0 PLC ±0.2 1 PLC ±0.2 2 PLC ±0.2 3 PLC ±0.2 4 PLC ±0.2 ANGLES ±2 FINISH		NAME BATTERY BLOCK CONNECTOR REEPTACLE ASSY 3POS 2MM PITCH	
MATERIAL		WEIGHT 0.12g		SIZE A3	CAGE CODE 00779
		CUSTOMER DRAWING		DRAWING NO. C-1612901	RESTRICTED TO -
				SCALE 8/1	SHEET 2 OF 2
				REV B	